



BLACKFIN SUPPLY

CATALOG 100

GENERAL CONSUMABLES

WWW.BLACKFINSUPPLY.COM
JOSH@BLACKFINSUPPLY.COM
HOUSTON, TEXAS
(832) 961-1581

BLACKFIN SUPPLY

ABOUT US

- Blackfin Supply is a Houston, Texas owned and operated distributor representing hundreds of manufacturers globally. We specialize in furnishing piping materials and general consumables (AKA rope, soap, and dope) products across all sectors of oil and gas, municipal water systems, maritime, and industrial markets.
- Not only do we offer some of the most cost-effective and quickest turn-around times in the country, but we also operate with minimal overhead allowing us to pass on our cost savings to even the smallest end user.

PIPE & FITTINGS

- Carbon & Stainless Steel Pipe
- Welded & Threaded Fittings
- Ductile Iron Pipe & Fittings
- HDPE Pressure & Drain Pipe
- PVC, Water, & Sewer Pipe
- Couplings & Restraints
- Flanges & Gaskets

VALVES & PUMPS

- Backflow Preventers
- Water Meters
- Actuators
- Hydrants
- Gauges
- Pumps
- Valves

SPECIALTY PRODUCTS

- Fasteners & Hardware
- Shipbuilding & Maritime
- Retail Store Displays
- Rigging Equipment
- Oilfield Supplies

GENERAL CONSUMABLES

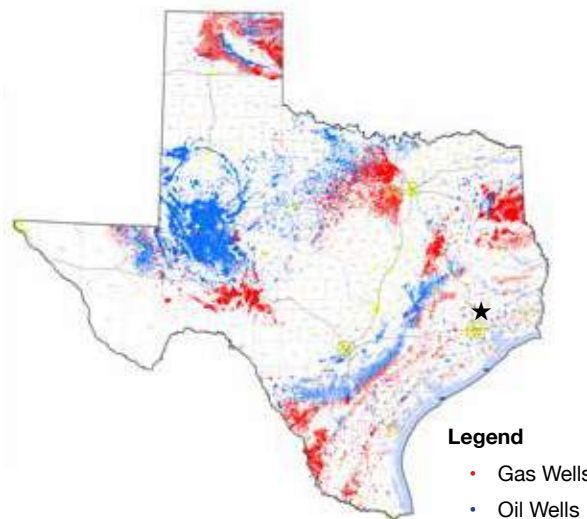
- Adhesives, Sealants, & Tapes
- Chemicals, Lubricants, & Paints
- Janitorial Equipment
- Material Handling
- Welding Supplies
- Safety Products
- MRO Supplies

TOOLS

- Measuring & Leveling Tools
- Piping & Tubing Tools
- Electrical & Lighting
- Marking Tools
- Pneumatics
- Power Tools
- Hand Tools

FABRICATION

- Carbon & Stainless Steel Pipe
- Structural Metals
- Pipe Supports
- Plate Cutting
- Threading
- Grooving
- Tapping



Manufacturers Index with Prefix

Prefix	Manufacturer	Page	Prefix	Manufacturer	Page
037	3M	1-4	215	Buckeye Fire Equipment	48
221	ABC Hammers	4-5	123	BVA	48
064	Aervoe	5-7	088	Cable Ties (OilPatch)	257
000	Air Horn (OilPatch)	264	155	CGW Abrasives	49-51
228	Air Hose (OilPatch)	264	134	C. H. Hanson	51-54
033	Alemite	7-10	161	Champion Spark Plugs	54
144	AMH	10-11	053	Channellock	54-61
222	Ancra International	11-12	249	Chapin Sprayers	61-62
000	Apron (OilPatch)	266	075	Chicago Hardware	62-64
243	Atlas Welding Hammers	12	023	Chip Brushes (OilPatch)	256
247	B & B Pipe Tools	12-14	230	CLR Pro	64-65
063	Babbitt Bilge Pumps	14	030	Coco Mats (OilPatch)	264
058	#4 Babbitt (OilPatch)	264	203	Commando Klean	65
044	Band-It	14-15	227	Copper Tubing (OilPatch)	262
067	Barco	15-16	052	Cord, Sash (OilPatch)	261
086	Barricade Fence (OilPatch)	265	189	Norseman/CTD Toledo Drill	66
154	Bernz-O-Matic	17	246	Cortina Safety	66-67
107	Berryman	17-18	138	Cox Reels	68
059	Berry Plastics	18-19	027	Creame Beads/Rig Wash (OilPatch)	263
024	Binks	19	068	CRC Industries	68-75
150	Bird Net Kit (OilPatch)	264	017	Crescent	75-77
008	Bitumastic	19	112	Crosby	77-78
036	Blaster	19	022	C.S. Osborne/Mound Tool	79
245	Blue Monster	19-21	040	C.S. Unitec	79-81
197	Bondhus	21-23	131	CST/Berger	81
037	Bondo	23	196	Cyclo	81-83
131	Bosch	23-24	182	Dawn Professional	83
029	Boss (Gloves, Rainsuits, Boots)	24-28	125	Deuer Mini Mule	83
168	Booster Cables (OilPatch)	262	041	DeWalt	83-92
147	Bright Star	28	146	Dog House Stove (OilPatch)	264
007	Brooms & Mops (OilPatch)	258	131	Dremel	92
001	BSM Pump	29-48	165	Duracell	92-93

Manufacturers Index with Prefix - (Cont.)

Prefix	Manufacturer	Page	Prefix	Manufacturer	Page
087	Dykem	94	038	Gunk	128-129
087	Dymon	94-95	181	Gunnebo-Johnson	129-130
140	Easy Heat	95	205	HexArmor	130-132
148	Eklind	97-102	184	Hit Tools	132
090	Elk River	96-97	100	Honeywell - Howard Leight .	132-133
242	Empire Level	102-103	100	Honeywell - North	133
080	Enerpac	103-108	100	Honeywell - Uvex	134
009	Eveready Energizer	108-109	250	Hopkins Mfg.	134-135
263	Ergodyne	110	194	Hot Max Torches	135
149	Estwing	110-111	047	Hubco Sample Bags	135
118	Exhaust Caps (OilPatch)	262	252	Hudson Mfg.	135-136
100	Eyesaline	111	028	Humco	136
086	Fence (OilPatch)	265	082	Hyde Tools	136-138
240	First Aid Only	111-113	091	Ideal Tridon	138-139
126	5' Stick (OilPatch)	264	143	Igloo	139-140
175	Flexon	113	048	Imperial	140-141
182	409 Cleaner Degreaser	113	256	Irvin	141-145
100	Gas Clip Monitors	113	161	Jackson Tools	145-146
179	Gasoila	114	077	J-B Weld	146
169	Gatorade	114-115	113	Jet Equipment	147-148
192	Gearench (Petol)	115-116	202	Jet-Lube	148-149
241	GearWrench	116-117	012	Joe's Kleen Products	150-151
156	Generac	118	239	Jokater Gloves	151
122	General	118-120	093	Justrite Safety	152-153
076	Geronimo Mfg.	120	098	Keson	153-155
101	Gilmour	120-121	235	Klein Tools	155-165
000	Gloves, String Knit (OilPatch)	266	255	Knipex Tools	166
190	GoJo	121-122	004	Kolor Kut	166
034	Goldenrod	122-126	065	Krylon Industrial	166-169
151	Golight	126	065	Krylon - Sprayon	169-171
234	Gorilla Tape	126-127	065	Krylon - White Lightning	171
060	GPI Pumps	127	145	KT Pro	171-174
238	GROZ Hammers	127-128	085	Laclede Chain	174-176
200	Guardair	128	125	Lakeland	176

Manufacturers Index with Prefix - (Cont.)

Prefix	Manufacturer	Page	Prefix	Manufacturer	Page
049	Leetonia / Lansing Forge	176-177	120	Monster Motion Safety	235-236
257	Lenox	177-178	007	Mops & Brooms (OilPatch)	258
152	Leviton	178	010	Moore & Wright Calipers	236
121	Lewis Oilfield Products	178	010	Morse Starrett	236-237
119	Liberty Glove & Safety	179	038	Motor Medic	238
116	Lincoln	179-180	137	MSA Safety	238-240
120	Linebacker	180-181	265	Muck Boots	240
038	Liquid Wrench	181-182	026	Mule Head Brand	240-241
177	Littelfuse	182	025	Mystik	241-243
020	Little Joe Wipers	182	251	Nashua/Polyken	243-244
199	LPS	182-185	133	National Banner	244-245
069	Lubriplate	185-188	244	Neese Rainwear	245-246
015	Lufkin	188-192	266	Nemesis Safety	246-247
104	Mag-Lite	192-193	073	Never-Seez	247-252
260	Mag-Torch	194-195	016	Nicholson	247-248
055	Magnolia Brush	195-200	084	Northland Drill	248
105	Makita	200-204	120	NoTrax	248
005	Manila Rope (OilPatch)	260-261	229	Nupla	249-251
043	Markal-Laco	204-206	210	OccuNomix	251-254
195	Martin	206-207	058	OilPatch #4 Babbitt	264
026	Marvel Mystery Oil	207-208	000	OilPatch Air Horn	264
089	Master Heaters	208	228	OilPatch Air Hose	264
224	Master Lock	208-211	126	OilPatch 5' Stick	264
039	Maxxeon	211-212	086	OilPatch Barricade Fence	265
045	Mayhew	212-217	150	OilPatch Bird Net Kit	264
212	MCR - Crews	217-221	168	OilPatch Booster Cables	262
212	MCR - Memphis Glove	221-223	007	OilPatch Brooms & Mops	258
212	MCR - River City	223-225	114	OilPatch Canvas Tarps	262
159	Mean Green	225	023	OilPatch Chip Brushes	256
050	Micro Mist	225	088	OilPatch Cable Ties	257
142	Midwest Fuel Can	225-226	030	OilPatch Coco Mats	264
094	Milton	226-228	188	OilPatch Containers	259-260
164	Milwaukee Sure Shot	228	227	OilPatch Copper Tubing	262
158	Milwaukee Tools	228-235			

Manufacturers Index with Prefix - (Cont.)

Prefix	Manufacturer	Page	Prefix	Manufacturer	Page
146	OilPatch Dog House Stove	264	167	Pipe Chock (OilPatch)	261
118	OilPatch Exhaust Caps	262	219	Pipe Compound (OilPatch)	256
005	OilPatch Manila Rope	260-261	117	Plano	282
006	OilPatch Oil Sorbents	265-266	059	Plastic Sheeting (OilPatch)	263
167	OilPatch Pipe Chock	261	163	Plumb Bob (OilPatch)	261
219	OilPatch Pipe Compound	256	092	Plews	283-286
059	OilPatch Plastic Sheeting	263	206	Polyken Pipe Wrap	286
163	OilPatch Plumb Bob	261	253	Power Service Additives	286-287
086	OilPatch Poly Tarps	263	039	Precision Brand	287
000	OilPatch Protective Apron	266	066	Presco Flagging Tape	287-288
188	OilPatch Rags	259	268	Prime Wire & Cable	288-290
099	OilPatch Ratchet Straps	261	035	Proto	290-311
027	OilPatch Rig Wash/ Creame Beads	263	056	PT Tools	311-323
014	OilPatch Safety Pins	264	130	Pyramex	323-324
052	OilPatch Sash Cord	261	113	Quik Steel	324
000	OilPatch String Knit Gloves	266	188	Rags (OilPatch)	259
086	OilPatch Tarp Straps	261	079	Ranger Boots	324
070	OilPatch Tea Strainers	264	208	Ray-O-Vac	324-327
042	OilPatch Teflon Tape	256	161	Razorback Tools	327-328
110	OilPatch Tie Wire	257	187	Rectorseal	329-330
150	OilPatch Wind Socks	266	061	Red Devil	330-331
006	Oil Sorbents (OilPatch)	265-266	054	Red Dragon	331
102	OFF! Deep Woods	266	000	Reese	331-332
078	Osborn Brushes	266-268	233	Relton	332
220	Paktek Tool	268	032	Ridgid	332-347
225	Pasco Pipe Wrap	268	027	Rig Wash/Creame Beads (OilPatch)	263
214	Peerless - Acco	268-269	005	Rope, Manila (OilPatch)	260-261
132	Pelican Coolers, Flashlights, Cases	269-276	191	RPM	348
236	Permatex	277-281	173	Rubbermaid	3348-349
182	Pine-Sol	281	059	Ruffies Trash Bags	349
217	PIP Gloves	281-282	209	Rustoleum	349-351
			109	Safe-T-Way Safety Fuel Cans	351-352

Manufacturers Index with Prefix - (Cont.)

Prefix	Manufacturer	Page	Prefix	Manufacturer	Page
014	Safety Pins (OilPatch)	264	232	The Works	373
193	Sar-Gel	352	110	Tie Wire (OilPatch)	257
052	Sash Cord (OilPatch)	261	096	Tillman Gloves	373-376
062	Scott Shop Towels	352	211	Titan Tools	376
087	Scrubs in Bucket	352	038	TiteSeal	376
021	Sesamee Locks	352-353	174	Tork Towels	377
103	Seymour	353	084	Triumph/Northland Drill	377
226	Shamrock S-OK	354	161	True Temper	378
139	Simer Pumps	354	031	Truper	378-384
106	Simonds Files	354-355	097	Trusty-Cook Hammers	385
127	Sipco Products	356	231	Tub O' Towels	385
135	Snoop Leak	356	231	Tuffy Nylon Slings	385-386
183	Sphag Sorb	357	071	Tuf-Tug Products	386
065	Sprayon	357-358	128	Tyvek/DuPont	386
185	Sprayway	358-359	201	Ullman Devices	387-388
213	Sqwincher	359-362	161	UnionTools	388
046	Stanley	363-368	166	Universal Tool	388
099	Straps, Ratchet (OilPatch)	261	204	U.S. Tape	389
204	Stringliner	368	186	Universal Tool	390-391
095	Swanson Tool	368-369	011	WD-40	391-393
180	Syraco Products	369	108	Wheeler Rex	393
114	Tarps, Canvas (OilPatch)	262	178	Whipchek	393
086	Tarps, Poly (OilPatch)	263	065	White Lightning	393
086	Tarp Straps, (OilPatch)	261	219	Whitlam Pro	393-394
070	Tea Strainers, (OilPatch)	264	153	Wilde Tools	394-396
042	Teflon Tape, (OilPatch)	256	111	Wilton	396-398
216	Tekton	370	150	Wind Socks (OilPatch)	266
013	Tennessee		170	Wright Tool	398-405
	Hickory Handles	370-372	062	WypAll	405-406
074	Tesa Tape	372	141	Zee-Line (National Spencer)	406



Temflex Cotton Friction Tape



- Wire bundling
- Abrasion resistance
- High grade friction tape
- Abrasion protection for splices & connections

Item #	Description	Std Pkg
037-57173	#1755 3/4" x 60' Black Friction Temflex Tape	20 ea

Rubber Splicing Tape



- 3/4" x 22' x .030"
- Self-fusing rubber splicing tape
- Flexible over a wide temperature range
- Compatible with solid dielectric cable insulations

Item #	Description	Std Pkg
037-2155	3/4" x 22' Temflex Rubber Splicing Tape f/Sealing	20 ea

Scotch Linerless Rubber Splicing Tape



- Highly conformable, rubber-resin adhesive
- Self-fusing, ethylene propylene, rubber backing
- Moisture seal and void-free buildups

Item #	Description	Std Pkg
037-41717	3/4" x 30' Linerless Rubber Splicing Tape	24 ea

Super 33+ Vinyl Electrical Tape



- Black 7 mil tape
- Insulation for splices up to 600v
- Abrasion, corrosion, and UV-resistant
- Flexibility of a PVC backing combined w/ electrical insulating properties

Item #	Description	Std Pkg
037-06132	#33+ 3/4" x 66' Electrical Tape Black	10 ea
037-06133	#33+ 3/4" x 52' Electrical Tape Black	10 ea

Super 88 Premium Vinyl Electrical Tape



- 8.5 mil black tape
- Insulation for splices up to 600v
- Better mechanical/abrasion resistance
- Flexibility of a PVC backing combined w/electrical insulating properties

Item #	Description	Std Pkg
037-06143	#88 Super 3/4" x 66' Vinyl Electrical Tape Black	10 ea

Temflex Vinyl Electrical Tape



- Flexible
- Stretchy
- Conformable
- 7 mil black tape
- Flame retardant
- Commercial grade vinyl

Item #	Description	Std Pkg
037-69764	#1700 3/4" x 60' Vinyl Electrical Tape Temflex	10 ea

Hook Fastener - SJ3402



- Woven nylon hook fastener
- Provides great design flexibility and fast product assembly
- No adhesive or liner allows for attaching by sewing or with hot melt or liquid adhesives
- Alternative solution to zippers, screws, snaps, etc

Item #	Description	Std Pkg
037-86243	1" x 50 yd x 0.15 Black Hook Fastener Tape	3 ea

Hook Fastener - SJ3527N



- Woven nylon loop fastener
- High performance rubber-based adhesive
- Very good shear strength and bonds to a variety of substrates, including plastics
- Alternative solution to zippers, screws, snaps, etc

Item #	Description	Std Pkg
037-86252	1" x 50 yd x 0.15 Black Loop Fastener Tape	3 ea

Scotchrap Pipe Tape



- High-tack adhesives
- Tough, polyvinyl chloride (PVC)
- Resist corrosion above and below ground

Item #	Description	Std Pkg
037-10638	2" x 100' #50 Pipe Tape	24 ea
037-10646	4" x 100' #50 Pipe Tape	12 ea
037-15785	6" x 100' #50 Pipe Tape	8 ea

Spray Adhesive - Multi-purpose



- Transparent multi-purpose spray adhesive
- Resists dripping or running in vertical applications
- Aggressive tack provides high initial grab, with enough time to position materials
- Sticks to: Cardboard; Ceramic; Fabric; Fiberglass; Foam; Glass; Leather; Metal; Paper; Plastic; Rubber; Vinyl; Wood

Item #	Description	Std Pkg
037-77	Super 77 Spray Adhesive Multipurpose 16.75 oz	12 ea



Liquid Epoxy Coating



- 2 Part liquid epoxy kit suitable for brushing used for patching pipe coatings
- Each Part (Part A and Part B) comes in a quart can sized container
- Can be used as a patch material, a girthweld coating, a stand-alone coating for pipe rehabilitation

Item #	Description	Std Pkg
037-17574	323 1 qt Blu-Green Liquid Epoxy Coating	1 kit

Contact Adhesive - High Strength



- Industrial strength
- Precise spray control
- Ideal for sealing plastic
- Turn nozzle tip 90° for vertical applications
- Bonds laminates, kick plates, polyethylene, polypropylene, and plastic lettering

Item #	Description	Std Pkg
037-90	#90 18 oz Spray Adhesive Hi-strength	12 ea

High Power Brake Cleaner



- Leaves no residue
- High power general purpose degreaser
- Helps eliminate disc brake squeal and chatter
- Removes oil, grease, brake fluid and other contaminants from all types of brake assemblies

Item #	Description	Std Pkg
037-08880	14 oz High Power Brake Clean Non-chlorinated	12 ea

Scotchrap Pipe Primer



- Quick-Drying
- Non-Sag rubber base primer
- Permeates metal surface pits & irregularities

Item #	Description	Std Pkg
037-42768	1 gal Pipe Wrap Primer	4 gal

N95 Particulate Respirator - Economy



- Adjustable nose clip
- Cushioning nose foam
- Lightweight, disposable
- Economical choice for respiratory protection
- Two-strap design with four point staple attachment

Item #	Description	Std Pkg
037-8200	N95 Particulate Respirator Economy (20/Box)	1 box

N95 Particulate Respirator - Classic



- Adjustable noseclip
- Cushioning nose foam
- Lightweight construction
- Advanced electrostatic media
- Two-strap design w/ welded dual point attachment

Item #	Description	Std Pkg
037-8210	N95 Particulate Respirator Classic (20/Box)	1 box

N95 Particulate Respirator - Nuisance



- Flame resistant
- Fully adjustable straps
- 3M™ CoolFlow™ valve
- Comfortable foam face seal
- Reduces nuisance level of organic vapors

Item #	Description	Std Pkg
037-8214	N95 Particulate Respirator Nuisance Removal, nose Clip Elastic Head Strap (10/Box)	1 box

N100 Particulate Respirator Exhaust Valve



- Foam face seal
- 3M™ Cool Flow™ Valve
- Advanced electrostatic media
- Adjustable noseclip and straps

Item #	Description	Std Pkg
037-8233	N100 Particulate Respirator Exhaust Valve , Nose Clip, Face Seal, Adj Straps (20/Box)	1 box

Particulate Respirator



- NIOSH approved
- Braided headbands two-strap design
- Adjustable M-noseclip reduces eyewear fogging
- 3M Cool Flow Exhalation Valve reduces heat build-up inside the respirator

Item #	Description	Std Pkg
037-8511	N95 Particulate Respirator Disposable, Cool Flow Valve for Hot/dusty Work (10/Box)	1 box

N95 Particulate Respirator Exhaust Valve



- Flame resistant
- Braided head band
- Adjustable M nose clip
- 3M™ CoolFlow™ Valve
- Economical option for welders

Item #	Description	Std Pkg
037-8515	N95 Particulate Respirator Exhaust Valve, Nose Clip, Dual Head Strap (10/Box)	1 box

Half Facepiece Respirator



- 6000 Series
- Reusable respirator
- Easy-to-adjust head straps
- Comfortable and lightweight
- Replaceable cartridges and filters

Item #	Description	Std Pkg
037-6100	Half Facepiece Respirator Reusable - Small	24 ea
037-6200	Half Facepiece Respirator Reusable - Medium	24 ea
037-6300	Half Facepiece Respirator Reusable - Large	24 ea



Full Facepiece Reusable Respirator



- 6000 Series
- Large lens provides a wide field of view
- 3M Cool Flow Valve makes breathing easier
- Air-purifying and supplied air respirator modes
- Center adapter directs exhaled breath downward
- Lightweight well-balanced design and silicone face seal

Item #	Description	Std Pkg
037-6800	Full Facepiece Respirator Reusable - Medium	4 ea
037-6900	Full Facepiece Respirator Reusable - Large	4 ea

P95 Particulate Filter

Use with the following:

- 3M™ Filter adapter 603
- 3M™ Filter retainer 501
- 3M™ Respirators 5000 Series
- 3M™ Cartridges 6000 Series



Item #	Description	Std Pkg
037-5P71	Pre-filter f/6000 Series Respirator (10/Box)	1 box

Organic Vapor Cartridge

- Simple installation
- Swept-back design
- Enhanced field of view



Item #	Description	Std Pkg
037-6001	OV Cartridge for Respirator 6000 Series	30 pr

Organic Vapor/Acid Gas Cartridge/Filter

- NIOSH approved
- Simple installation
- Swept-back design
- Enhanced field of view



Item #	Description	Std Pkg
037-6003	OV/ Acid Gas Cartridge for 6000 Series Respirator	30 pr

P100 Particulate Filter

- Versatile protection
- Advanced electrostatic media
- Lightweight, easy breathing comfort



Item #	Description	Std Pkg
037-2091	Particulate Filter P100 6000 Series	50 pr

Particulate Filter - Nuisance Level Acid Gas Relief

- NIOSH approved
- 99.97% filter efficiency
- Protects against many oil and non-oil based particulate contaminants
- Nuisance odor relief for acid gas



Item #	Description	Std Pkg
037-2096	Particulate Filter P100 6000 Series W/nuisance Level Acid Gas Relief (1pr/50pr/cs)	50 pr

P100 Particulate Filter - OV Relief

- Nuisance level organic vapor relief
- Protection against many oil and non-oil based particulate contaminants
- Works with many 3M™ half and full face pieces



Item #	Description	Std Pkg
037-2097	Particulate Filter P100 6000 Series w/Nuisance OV Relief	50 pr

Particulate Filter w/Nuisance Level OV Relief

- Longer lasting and easier breathing
- P100, nuisance organic vapor relief particulate filter
- Nuisance odor relief for organic vapor levels below the Permissible Exposure Level (PEL)



Item #	Description	Std Pkg
037-2297	Particulate Filter P100 5000 Series W/nuisance Level OV Relief	50 pr

Organic Vapor Cartridge/Filter

- NIOSH approved
- Simple installation
- Swept-back design
- Enhanced field of view



Item #	Description	Std Pkg
037-60921	OV/ Cartridge/filter 6000 Series Respirator	30 pr

Organic Vapor/Acid Gas Cartridge/Filter

- NIOSH approved
- Simple installation
- Swept-back design
- Enhanced field of view



Item #	Description	Std Pkg
037-60923	OV/ Acid Gas Cart/filter 6000 Series Respirator	30 pr

Filter Retainer

- **Color:** Translucent white
- 4" high x 8.5" long x 4.5" wide
- Holds 3M filter 5N11 and 5P71
- **Works with:** 3M Respirator 5000 Series, 3M Cartridges 6000 Series & 3M Filter Adapter 603



Item #	Description	Std Pkg
037-501	Filter Retainer for 6000 Series Respirator	20 box

Particulate Filter - 5N11

- NIOSH approved for environments containing certain non-oil-based particles
- Use with 3M™ 603 Filter Holder and 3M™ 501 Retainer
- Replaceable particle filter



Item #	Description	Std Pkg
037-5N11	N95 Particulate Filter F/5000 Respirator	1 box



Ear Plug - No Cord



- Classic yellow
- Flame-resistant
- Moisture-resistant
- Slow-recovery earplug foam
- Noise Reduction Rating 29 dB

Item #	Description	Std Pkg
037-310-1001	29 db Ear Plug No Cord (200pr/Box)	1 box

E-A-R Push-Ins Corded Earplugs



- Soft, flexible foam
- Flexible stem
- Includes Cord

Item #	Description	Std Pkg
037-318-1001	Push-ins Ear Plugs Corded Classic (100pr/Box)	1 box

Cable Tie



- Plenum rated, self-locking head, and curved tip allows for faster threading and installation
- Made with high quality 6/6 nylon with 18 lb tensile strength
- UV weather resistant for outdoor use

Item #	Description	Std Pkg
037-59274	4" UV 18lb Black Cable Tie (10/pkg)	1 pkg



Brass Hammer - Nupla Handle



- Fiberglass handle with a complete polypropylene over-mold
- Non-marring: Absorbs impact and helps reduce work damage
- High-visibility yellow with a non-slip safety grip
- Non-sparking: Safe near combustible materials

Item #	Description	Std Pkg
221-ABC2BFB	2 lb Brass Hammer w/ 12" Nupla Handle	1 ea
221-ABC3BFB	3 lb Brass Hammer w/ 12" Nupla Handle	1 ea
221-ABC4BFB	4 lb Brass Hammer w/ 12" Nupla Handle	1 ea
221-ABC5BFB	5 lb Brass Hammer w/ 12" Nupla Handle	1 ea

Brass Hammer - Wood Handle



- Non-marring: Absorbs impact and helps reduce work damage
- Non-sparking: Safe near combustible materials
- Tennessee grade-A hickory handle

Item #	Description	Std Pkg
221-ABC2BW	2 lb Brass Hammer w/15" Wood Handle	1 ea
221-ABC3BW	3 lb Brass Hammer w/15" Wood Handle	1 ea
221-ABC4BW	4 lb Brass Hammer w/18" Wood Handle	1 ea
221-ABC5BW	5 lb Brass Hammer w/18" Wood Handle	1 ea

Brass Hammer - Fiberglass Handle



- Non-marring: Absorbs impact and helps reduce work damage
- High visibility yellow and ergonomically designed
- Non-sparking: Safe near combustible materials

Item #	Description	Std Pkg
221-ABC2BFS	2 lb Brass Hammer w/8" Fiberglass Handle	1 ea
221-ABC4BF	4 lb Brass Hammer w/15" Fiberglass Handle	1 ea
221-ABC5BF	5 lb Brass Hammer w/15" Fiberglass Handle	1 ea

Brass Sledge Hammer - Wood Handle



- Non-marring: Absorbs impact and helps reduce work damage
- Non-sparking: Safe near combustible materials
- Tennessee grade-A hickory handle

Item #	Description	Std Pkg
221-ABC10BW	10 lb Brass Hammer w/36" Wood Handle	1 ea
221-ABC10BWS	10 lb Brass Hammer w/24" Wood Handle	1 ea
221-ABC12BW	12 lb Brass Hammer w/36" Wood Handle	1 ea
221-ABC14BW	14 lb Brass Hammer w/36" Wood Handle	1 ea
221-ABC8BW	8 lb Brass Hammer w/36" Wood Handle	1 ea
221-ABC8BWS	8 lb Brass Hammer w/24" Wood Handle	1 ea

Brass Sledge Hammer - Fiberglass Handle



- Non-marring: Absorbs impact and helps reduce work damage
- High visibility yellow and ergonomically designed
- Non-sparking: Safe near combustible materials

Item #	Description	Std Pkg
221-ABC10BF	10 lb Brass Hammer w/36" Fiber Handle	1 ea
221-ABC12BF	12 lb Brass Hammer w/36" Fiberglass Handle	1 ea
221-ABC14BF	14 lb Brass Hammer w/36" Fiberglass Handle	1 ea
221-ABC8BF	8 lb Brass Hammer w/34" Fiberglass Handle	1 ea

Stryker Sledge Hammer - 12" Handle



- Positive locking plate
- High tensile steel handle with superior durability
- Abrasive-resistant rubber handle reinforced with 12 inches of steel

Item #	Description	Std Pkg
221-PRO212S	2.5 lb Stryker Sledge Hammer - 12" Handle	1 ea
221-PRO412S	4 lb Stryker Sledge Hammer - 12" Handle	1 ea



Stryker Sledge Hammer - 16" Handle



- Positive locking plate and thickened boss
- High tensile steel handle with superior durability
- Shatterproof, dropped forged steel head with abrasion-resistant handle

Item #	Description	Std Pkg
221-PRO416S	4 lb Stryker Sledge Hammer - 16" Handle	1 ea
221-PRO616S	6 lb Stryker Sledge Hammer - 16" Handle	1 ea

Stryker Sledge Hammer - 24" Handle



- Positive locking plate and thickened boss
- High tensile steel reinforced rubber handle with superior durability
- Shatterproof, dropped forged steel head with abrasion-resistant handle

Item #	Description	Std Pkg
221-PRO624S	6 lb Stryker Sledge Hammer - 24" Handle	1 ea
221-PRO824S	8 lb Stryker Sledge Hammer - 24" Handle	1 ea

Stryker Sledge Hammer - 30" Handle



- Positive locking plate and thickened boss
- High tensile steel reinforced rubber handle with superior durability
- Shatterproof, dropped forged steel head with abrasion-resistant handle

Item #	Description	Std Pkg
221-PRO1030S	10 lb Stryker Sledge Hammer - 30" Handle	1 ea
221-PRO1230S	12 lb Stryker Sledge Hammer - 30" Handle	1 ea
221-PRO1430S	14 lb Stryker Sledge Hammer - 30" Handle	1 ea
221-PRO630S	6 lb Stryker Sledge Hammer - 30" Handle	1 ea
221-PRO830S	8 lb Stryker Sledge Hammer - 30" Handle	1 ea

Stryker Sledge Hammer - 36" Handle



- Positive locking plate and thickened boss
- High tensile steel reinforced rubber handle with superior durability
- Shatterproof, dropped forged steel head with abrasion-resistant handle

Item #	Description	Std Pkg
221-PRO1036S	10 lb Stryker Sledge Hammer - 36" Handle	1 ea
221-PRO1236S	12 lb Stryker Sledge Hammer - 36" Handle	1 ea
221-PRO1436S	14 lb Stryker Sledge Hammer - 36" Handle	1 ea
221-PRO836S	8 lb Stryker Sledge Hammer - 36" Handle	1 ea

Stryker Ball Peen Hammer



- Positive locking plate and thickened boss
- High tensile spring steel reinforced rubber handle with superior durability
- Shatterproof, dropped forged steel head with 14 inch steel reinforced rubber handle

Item #	Description	Std Pkg
221-PRO2414BP	24 oz Ball Peen Steel Reinforced - 14" Handle	1 ea
221-PRO3214BP	32 oz Ball Peen Steel Reinforced - 14" Handle	1 ea



Inverted Marking Paints



- Mark lasts up to three months
- Good color visibility and durability
- Upside-down marking applications

Item #	Description	Std Pkg
064-200	20 oz Marking Paint - Clear Coat	12 ea
064-246	20 oz Marking Paint - Fluorescent Red	12 ea
064-247	20 oz Marking Paint - Fluorescent Orange	12 ea
064-248	20 oz Marking Paint - Fluorescent Green	12 ea
064-249	20 oz Marking Paint - Fluorescent Pink	12 ea
064-250	20 oz Marking Paint - Fluorescent Blue	12 ea
064-252	20 oz Marking Paint - Yellow Construction	12 ea
064-253	20 oz Marking Paint - Fluorescent Yellow	12 ea
064-254	20 oz Marking Paint - Blue	12 ea
064-255	20 oz Marking Paint - White	12 ea
064-256	20 oz Marking Paint - Red	12 ea
064-258	20 oz Marking Paint - Hi-Vis Yellow	12 ea
064-259	20 oz Marking Paint - Green	12 ea
064-260	20 oz Marking Paint - Purple	12 ea
064-283	20 oz Marking Paint - Fluorescent Red/Orange	12 ea

Multi-Purpose Primer



- Prevents rust
- Fast-dry, sandable formula
- Provides a smooth, tough surface
- Lead-free and 100% non-toxic when dry
- For wood, aluminum, iron, hard plastic, drywall, etc

Item #	Description	Std Pkg
064-Z8072	11 oz Gray Primer	6 ea
064-Z8074	11 oz Red Oxide Primer	6 ea
064-Z8078	11 oz Black Primer	6 ea



Speed E-Namel



- Prevents rust
- Fast dry, dries to the touch in 15 minutes
- Smooth professional finish
- Great for wood, metal, plastic, tools, masonry, etc.

Item #	Description	Std Pkg
064-Z308	11 oz Speed E-Namel Silver Paint	6 ea
064-Z317	11 oz Speed E-Namel Aluminum Paint	6 ea
064-Z387	11 oz Speed E-Namel Gloss Black Paint	6 ea
064-Z397	11 oz Speed E-Namel Gloss White Paint	6 ea
064-Z407	11 oz Speed E-Namel Gold Paint	6 ea
064-Z467	11 oz Speed E-Namel Lemon Yellow Paint	6 ea
064-Z468	11 oz Speed E-Namel Medium Gray Paint	6 ea
064-Z469	11 oz Speed E-Namel Hunter Green Paint	6 ea
064-Z471	11 oz Speed E-Namel Royal Blue Paint	6 ea
064-Z487	11 oz Speed E-Namel Flat Black Paint	6 ea
064-Z517	11 oz Speed E-Namel Rich Red Paint	6 ea
064-Z518	11 oz Speed E-Namel Pink Paint	6 ea

Cold Galvanize Zinc Rich



- 93% Zinc coating bonds to iron and steel
- Stops rust and corrosion on any iron or steel surface
- Zinc fuses to metal substances
- Protection equal to hot-dipped galvanizing

Item #	Description	Std Pkg
064-7007	16 oz Crown Cold Galvanize Coating 93% Zinc	12 ea

Brite Galvanize Zinc Rich



- A glistening coating with 65% pure zinc in dry film
- Stops rust and corrosion on any iron or steel surface
- Protection equal to hot-dipped galvanizing
- Good film integrity after 336 hours salt spray

Item #	Description	Std Pkg
064-7008	16 oz Crown Brite Galvanize Coating 65% Zinc	12 ea

Fault Finder Cleaner



- Step #1 of the Fault-Finder test system
- Pre-cleans the part to be tested
- Contains no chlorine or sulfur-bearing solvents

Item #	Description	Std Pkg
064-1071	12 oz Fault Finder Cleaner	12 ea

Fault Finder Penetrant



- Step #2 of the Fault-Finder test system
- Apply penetrating fluid to the part to be tested
- Certified low in chlorine and sulfur-bearing solvents

Item #	Description	Std Pkg
064-1072	12 oz Fault Finder Penetrant	12 ea

Fault Finder Developer



- Step #3 of the Fault-Finder test system
- Reveals any defects on the part being tested
- Certified low in chlorine and sulfur-bearing solvents

Item #	Description	Std Pkg
064-1073	12 oz Fault Finder Developer	12 ea

Metalworking Compounds



- Enables accurate scribing without glare
- Quick-drying film that won't peel, flake or rub off
- Excellent adhesion to all metals, glass or plastics

Item #	Description	Std Pkg
064-6001	16 oz Crown Blue Toolmaker Ink	12 ea

LFP Cleaner/Degreaser



- Fast-drying
- Low flash point
- Industrial strength solvent to clean and degrease

Item #	Description	Std Pkg
064-399	20 oz LFP Cleaner/Degreaser	12 ea

Brake and Parts Cleaner



- Non-corrosive degreaser
- Removes contaminants from brake drums, linings, and pads

Item #	Description	Std Pkg
064-592	20 oz Brake And Parts Cleaner	12 ea



NFP Safety Solvent



- Quick drying
- No flash point solvent

Item #	Description	Std Pkg
064-8060	20 oz NFP Safety Solvent	12 ea

Dry Moly Lubricant



- Quick drying
- Resists corrosion
- Assembly and break-in lubrication
- Bonds to surfaces without attracting dirt or dust
- Prevents sliding or threaded parts from seizing

Item #	Description	Std Pkg
064-6080	16 oz Dry Moly Lubricant	12 ea

Wire Rope & Chain Lube



- Provides corrosion protection
- Dark gray color allows easy visibility
- Will not wash away or rub off
- Reduces wear and increases chain life

Item #	Description	Std Pkg
064-7043	Wire Rope & Chain Lube	12 ea

Crown HD Gear & Wire Rope Lube



- High-Grade moly grease
- Won't become brittle
- Not affected by weather
- Outstanding adhesion properties

Item #	Description	Std Pkg
064-7045	16 oz Crown Heavy Duty Gear & Wire Rope Lube	12 ea

Wasp & Hornet Killer



- Sprays up to 20 feet
- Pinpoint stream reaches hard to reach places
- Instantly kills hornets, wasps and yellow jackets
- High-delivery valve for complete saturation
- Prevents re-infestation for weeks

Item #	Description	Std Pkg
064-863	14 oz Wasp and Hornet Spray	12 ea

Marking Stick



- Flag holder
- Flag insert spike
- 32" long, hand held
- Inverted marking paint applicator

Item #	Description	Std Pkg
064-245	32" Marking Stick for Inverted Paint	1 ea

Pistol Grip Spot Marker



- 14" long
- Pistol grip
- Inverted marking paint applicator

Item #	Description	Std Pkg
064-244	Pistol Grip Spot Marker for Inverted Paint	1 ea



Lever Type Grease Gun - 500



- 3 way loading
- Develops up to 10,000 psi pressure
- Vinyl cover for a comfortable and sure grip
- Rugged and light weight die cast aluminum head

Item #	Description	Std Pkg
033-500	16 oz Cap. Lever Grease Gun w/Extension	10 ea

Lever Type Grease Gun - 500-E



- 3 way loading
- Develops up to 10,000 psi pressure
- Vinyl cover for a comfortable and sure grip
- Rugged and light weight die cast aluminum head

Item #	Description	Std Pkg
033-500-E	16 oz Cap. Lever Grease Gun w/18" Hose	10 ea

Pistol Grip Grease Gun - 555



- Simple, quick priming
- Ergonomic, rugged cast handle
- Develops up to 7,500 PSI pressure

Item #	Description	Std Pkg
033-555	16 oz Cap. Grease Gun Pistol Grip w/Extension	10 ea



Pistol Grip Grease Gun - 555-E



- Simple, quick priming
- Ergonomic, rugged cast handle
- Develops up to 7,500 PSI pressure

Item #	Description	Std Pkg
033-555-E	16 oz Cap. Grease Gun Pistol Grip 18" Flex Hose	10 ea

Thread-Forming Fittings



- Leak-proof seal with a maximum pressure of 10,000 PSI
- 1/8" Special Taper, Straight, 3/8" Hex, with .373-.380 recommended hole size

Item #	Description	Std Pkg
033-1720-B	Thread Forming Fitting Straight 5/8x1/8	Bulk

Button Head Fitting - Standard



- Exceeds 72 hour salt spray test with trivalent zinc plating
- Dirt excluding plunger check valve

Item #	Description	Std Pkg
033-A1184	1/8" PTF Standard Button Head Fitting 1/8 PTF	Bulk
033-A1186	1/4" PTF Button Head Fitting	Bulk

Button Head Fitting - Giant



- Exceeds 72 hour salt spray test with trivalent zinc plating
- Dirt excluding plunger check valve

Item #	Description	Std Pkg
033-1820-1	Giant Button Head Fitting 1/2" NPTF	Bulk
033-1822-A1	5/16X3/8" Giant Button Head Coupler	Bulk
033-1823-1	Giant Button Head Fitting 1/4" NPTF	Bulk

1/4"-28 Taper Thread Fittings



- Dirt excluding check ball
- Exceeds 72 hour salt spray test with trivalent zinc plating

Item #	Description	Std Pkg
033-1637-B1	1/4"-28 45° Taper Thread Fitting	Bulk
033-1641-B	1/4"-28 Taper Thread Fitting	Bulk
033-1680-B	Hydraulic Fitting Straight 31/32 x 1/4-28 Thread	Bulk
033-1911-B1	Hydraulic Fitting 90° 1/4"-28 Thread	Bulk

1/4" PTF Fittings



- Dirt excluding check ball
- Dry seal eliminates need for sealant
- Exceeds 72 hour salt spray test with trivalent zinc plating

Item #	Description	Std Pkg
033-1627-B	1/4" PTF Extra Short Straight Fitting	Bulk
033-1629-B	1/4" 67° PTF SAE Ex Short Fitting	Bulk

1/8" PTF Fittings



033-1613-B 033-1688-B 033-1612-B 033-1610-BL 033-1611-B 033-1669-E

- Dirt excluding check ball
- Exceeds 72 hour salt spray test with trivalent zinc plating
- Recommend for industrial machines and heavy equipment

Item #	Description	Std Pkg
033-1610-BL	1/8" Straight PTF Fitting	Bulk
033-1611-B	1/8" 30° PTF Fitting	Bulk
033-1612-B	1/8" 65° PTF Fitting	Bulk
033-1613-B	1/8" 90° PTF Fitting	Bulk
033-1669-B	Hydraulic Fitting Straight 1-3/4" X 1/8" PTF	Bulk
033-1688-B	Hydraulic Fitting 45° 57/64" X 1/8" PTF	Bulk

Relief & Pin Type Fittings



- Fittings open at pre-determined pressure
- Exceeds 72 hour salt spray test with trivalent zinc plating

Item #	Description	Std Pkg
033-317400	1/8" PTF SAE Apl Short Relief Fitting	Bulk
033-47200	1/8" PTF SAE Apl Short Relief Fitting	Bulk
033-A336	1/8" Straight PTF Pin Type Lubricating Fitting	Bulk

1/8" NPTF Couplers



033-6304-B 033-308703-A 033-30873C

Item #	Description	Std Pkg
033-308730	Coupler Narrow 1/8" NPTF (F) Hydraulic	Bulk
033-308730-A	Coupler Narrow 1/8" NPTF (F) Hydraulic	Bulk
033-6304-B	1/8" NPFT Coupler for Grease Gun Hose Standard	Bulk

Button Head Couplers - Giant



033-319702 033-43760 033-304300-A 033-319702

Item #	Description	Std Pkg
033-304300-A	Giant Pull-On Button Head Coupler 1/8" NTF	Bulk
033-319702	Giant Button Head Coupler	Bulk
033-42030-A	1/8" Button Head Coupler	Bulk
033-43760	1/8" NPFT Button Head Coupler Adapter	Bulk



1/8" Straight Blister Pack



- Straight
- 10 per PKG
- Easy storage
- Blister Packs are packaged for display

Item #	Description	Std Pkg
033-B1610-BL	1/8" Straight PTF Fitting	1 pkg

45° Hydraulic Fitting Blister Pack



- 45°
- 10 per PKG
- Easy storage
- Blister Packs are packaged for display

Item #	Description	Std Pkg
033-B1688-B	Hydraulic Fitting 5/764x1/8" PTF	1 pkg

90° Hydraulic Fitting Blister Pack



- Straight
- 10 per PKG
- Easy storage
- Blister Packs are packaged for display

Item #	Description	Std Pkg
033-B1911-B1	Hydraulic Fitting 1/4"-28 Thread	1 pkg

1/4" PTF Blister Pack - Straight



- Blister Packs are packaged for display
- Easy storage

Item #	Description	Std Pkg
033-B1627-B	1/4" PTF Fitting X-short 9/16" Hex x 7/8"	1 pkg

1/4" PTF Blister Pack - 67.5°



- 67.5°
- 10 per PKG
- Easy storage
- Blister Packs are packaged for display

Item #	Description	Std Pkg
033-B1629-B	1/4" PTF Fitting X-short 9/16" Hex x 31/32"	1 pkg

1/8" PTF Blister Pack - 90°



- 90°
- 10 per PKG
- Easy storage
- Blister Packs are packaged for display

Item #	Description	Std Pkg
033-B1613-B	1/8" PTF Grease Fitting 7/16" Hex x 27/32"	1 pkg

1/4-28 TTF Blister Pack - 90°



- 90°
- 10 per PKG
- Easy storage
- Blister Packs are packaged for display

Item #	Description	Std Pkg
033-B1637-B1	1/4-28 TTF Grease Fitting 3/8"hex X 13/16"	1 pkg

1/4-28 TTF Blister Pack - Straight



- Blister Packs are packaged for display
- Easy storage

Item #	Description	Std Pkg
033-B1641-B	1/4-28 TTF Grease Fitting 5/16"hex X 35/64"	1 pkg

2365-1 Fitting Assortment



Contains:

- 1610-BL (12 ea), 1641-B (12 ea), 1688-B (6 ea), 1637-B1 (6 ea), 1613-B (6 ea), 1911-B1 (6 ea)

Item #	Description	Std Pkg
033-2365-1	Fitting Assortment w/Box	1 box

2398-1 Fitting Assortment



Contains:

- 1610-BL (24 ea), 1641-B (24 ea), 1688-B (12 ea), 1637-B1 (12 ea), 1613-B (12 ea), 1911-B1 (12 ea)

Item #	Description	Std Pkg
033-2398-1	Fitting Assortment w/Box	1 box

Whip Extension Hoses



- Elastomeric material
- 1/8" NPTF male ends
- Use with hand-operated grease guns

Item #	Description	Std Pkg
033-317850-1	12" Whip Hose	Bulk
033-317850-1F	18" Whip Hose	Bulk
033-317850-2	24" Hose	Bulk

Grease Extension Hoses



- 1/8" NPTF male ends
- Thermoplastic material
- Use with hand-operated grease guns

Item #	Description	Std Pkg
033-B337595-A1	12" Grease Hose	Bulk
033-B337595-B1	18" Grease Hose 6000 PSI	Bulk



6654-A Hose Assemblies



- Includes coupler
- 1/8" NPT male ends
- Use with hand-operated grease guns

Item #	Description	Std Pkg
033-6654-A	18" Hose w/Coupler for Grease Gun	Bulk

6703-B Hose Assemblies



- 1/8" NPT
- Includes coupler
- Use with hand-operated grease guns

Item #	Description	Std Pkg
033-6703-B	1/8" Hose Assembly w/1/8" NPTF Hose Coupler	Bulk

B6703-A Hose Assemblies



- 1/8" NPT
- Includes coupler
- Use with hand-operated grease guns

Item #	Description	Std Pkg
033-B6703-A	12" Hose w/Coupler	Bulk

7089 Hose Assemblies



- 1/8" NPTF
- Includes swivel
- Includes coupler

Item #	Description	Std Pkg
033-7089	12" Button Head Hose Assembly Std Button Heads	Bulk

6704-A Hose Assemblies



- 1/8" NPTF
- Includes swivel
- Includes coupler

Item #	Description	Std Pkg
033-6704-A	12" Hose w/Coupler	Bulk

Visi-Lube Automatic Lubricator



- 1.22 oz. capacity
- Maximum pressure of 5.8 PSI
- 1/8" male NPTF threaded connection
- Spring-driven automatic lubricator for controlled continuous lubrication

Item #	Description	Std Pkg
033-B1741-A	Auto Lubricator w/Spring	1 ea

1/4" Air Regulator with Gauge



Item #	Description	Std Pkg
033-7604-B	1/4" Air Regulator w/Gauge	1 ea



Eye Sling - Forged Latch



- Cartec Fittings
- Grade 100 alloy steel
- Increase in working load limit by at least 25% as compared to Grade 80

Item #	Description	Std Pkg
144-CAX08SF	9/32" Grade 100 Eye Sling Hook	20 ea

Clevis Sling - Forged Latch



- Cartec Fittings
- Grade 100 alloy steel
- Increase in working load limit by at least 25% as compared to Grade 80

Item #	Description	Std Pkg
144-CBX10SF	3/8" Grade 100 Clevis Sling Hook	1 ea
144-CBX13SF	1/2" Grade 100 Clevis Sling Hook	1 ea

Clevis Grab Hook - Saddle



- Cartec Fittings
- Grade 100 alloy steel
- Increase in working load limit by at least 25% as compared to Grade 80

Item #	Description	Std Pkg
144-CFX07	9/32" Grade 100 Clevis Grab Hook	1 ea
144-CFX08	5/16" Grade 100 Clevis Grab Hook	1 ea
144-CFX10	3/8" Grade 100 Clevis Grab Hook	1 ea
144-CFX13	1/2" Grade 100 Clevis Grab Hook	1 ea

Clevis Grab Hook - Saddle & Latch



- Cartec Fittings
- Grade 100 alloy steel
- Increase in working load limit by at least 25% as compared to Grade 80

Item #	Description	Std Pkg
144-CFX10S	3/8" Self Locking Clevis Grab Hook	1 ea

Self Locking Clevis Hook



- Grade 100
- Use with 3/8" chain
- Weight limit 8,800 lbs

Item #	Description	Std Pkg
144-CRFX10	3/8" Self Locking Clevis Hook	8 ea



Connecting Link



- Cartec Fittings
- Grade 100 alloy steel
- WLL: 4300 lbs

Item #	Description	Std Pkg
144-CLX07	9/32" Grade 100 Connecting Link	1 ea
144-CLX08	5/16 Grade 100 Connecting Link	1 ea
144-CLX10	3/8" Grade 100 Connecting L Link	1 ea
144-CLX13	1/2" Grade 100 Connecting L Link	1 ea

Self Locking Eye Hook



- Grade 100
- Use with 3/8" chain
- Weight limit 8,800 lbs

Item #	Description	Std Pkg
144-CROX10	3/8" Self Locking Eye Hook	8 ea

Shortening Clutch



- Grade 100
- 9/32" has 4,300 lb weight limit
- 3/8" has 8,800 lb weight limit

Item #	Description	Std Pkg
144-CXX07	9/32" Grade 100 Shortening Clutch	36 ea
144-CXX10	3/8" Grade 100 Shortening Clutch	16 ea



Combo Chrome Winch Bar



- Tapered and angled for easy operation
- Heat treated for extra strength
- Flanged mushroom tip to help prevent slipping

Item #	Description	Std Pkg
222-42313-19	Combo Chrome Winch Bar	10 ea

Black Standard Painted Winch Bar



- Tapered and angled for easy operation
- Heat treated for extra strength
- Flanged mushroom tip to help prevent slipping

Item #	Description	Std Pkg
222-42313-10	34" Winch Bar Black Standard Painted	10 ea

Ratchet Strap Assemblies



- 5400 lb WLL
- Flat hook ends
- UV and water resistant
- Latex coated polyester webbing
- Industrial grade HD ratchet strap

Item #	Description	Std Pkg
222-48987-20	3" x 27' Ratchet Strap w/Flat Hooks Both Ends	4 ea
222-49346-11	4" x 30' Ratchet Strap w/Flat Hooks Both Ends	5 ea

Ratchet Strap - Chain Ends



- 3,333 lb WLL
- Chain anchors
- Fixed end 33"

Item #	Description	Std Pkg
222-45982-15	2" X 27' Ratchet Strap W/chain Ends Heavy Duty	10 ea

Replacement Strap - Flat Hook



- Weather resistant
- Latex treated polyester
- 27" in length w/ flat hook

Item #	Description	Std Pkg
222-43795-10-27	4" x 27" Replacement Strap Only - Flat Hook	10 ea

Recovery Strap



- Nylon webbing
- 2" wide x 30' long
- Twisted sewn loops
- 6000 lb MVW capacity

Item #	Description	Std Pkg
222-900-230	2" x 30' Recovery Strap w/Twisted Loops	6 ea

4 pk Ratchet Tie-downs



- 4 per package
- For general use only
- Molded grip ratchet handle
- Compact vinyl coated S-hooks

Item #	Description	Std Pkg
222-SL91	1" x 15' Ratchet Tie-downs 500 lbs WWL	6 ea

Tie-Down Ratchet



- 1" wide x 16' long nylon webbing
- Coated S-hooks on each end
- 1000 lbs WLL

Item #	Description	Std Pkg
222-10936-16	16' x 1" Ratchet Tie-Down w/ S-Hooks	20 ea



Bottom Mount - Weld-On



- E-Coat Finish
- High-strength alloy pawl pins
- Seamless solid steel mandrel
- Smooth ground web slots prevent web wear

Item #	Description	Std Pkg
222-43563-10	4" STD Weld-On Bottom Mount Winch	5 ea

Portable Winch Frame



- Powder coating
- High-strength alloy pawl pins
- Seamless solid steel mandrel
- Smooth ground web slots prevent web wear

Item #	Description	Std Pkg
222-43564-147	4" STD Portable Winch Frame	5 ea

Replacement Winch Strap



- 4" x 30' winch strap
- Single flat hook
- 5,000 lbs Working load limit

Item #	Description	Std Pkg
222-43795-10-30	4" x 30' Replacement Strap w/Flat Hooks	10 ea



Chipping Hammer - Steel Grip



- 10-1/2" coil handle
- Steel coil grip handle
- Tomahawk standard welders hammer

Item #	Description	Std Pkg
243-AT-H	15 oz Tomahawk Chipping Hammer	1 ea

Chipping Hammer - Wood Handle



- "Long-nek" Tomahawk welders hammer
- 12" Wood handle
- Cone & chisel head

Item #	Description	Std Pkg
243-WH-20	21 oz Tomahawk Chipping Hammer	6 ea



Folding Jack Stand - V-Head



- 245-3900: 32-48" Standard
- 245-4000: 22-39" Low Profile
- Oversized 10" V-Head
- V-Head weight capacity: 2,500 lbs
- 1-1/4 square tube legs, 1-1/2 inch acme rod
- Unique bottom lock T-Handle reduces fit up wobble
- Fully welded carry handle

Item #	Description	Std Pkg
247-3900	32-48" Folding Leg Pipe Jack V-Head	1 ea
247-4000	22-39" Low Profile Pipe Jack Folding Legs V-Head	1 ea

Fixed Leg Jack Stand - V-Head



- 1-1/2" acme rod
- Oversized 10" V head
- Oversized square legs and braces
- 2,500 lbs standard V head capacity
- Quick lock washer height adjustment

Item #	Description	Std Pkg
247-4100	32-48" Fixed Leg Pipe Jack V-Head	1 ea
247-4240	16-26" Stubby Pipe Jack V-Head Fixed Leg	1 ea

Folding Jack Stand - Roller Head



- Rollerhead with steel wheels
- Folding legs for space saving storage
- Weight capacity 2,000 lbs
- Adjustable height 29" – 50"

Item #	Description	Std Pkg
247-3905	29-50" Folding Leg Pipe Jack Stand	1 ea

Fixed Jack Stand - Roller Head



- Rollerhead with steel wheels
- Weight capacity 2,000 lbs
- Adjustable height 32" – 49"

Item #	Description	Std Pkg
247-4105	32-48" Fixed Leg Pipejack Roller Head	1 ea

Folding Jack Stand - Hold Down Head



- Chain type work clamping, pipe jack work holding and leveling all in one
- Locks pipe to the jack in less than 5 seconds
- Up to 6 inch pipe capacity & 1000 lbs weight capacity
- Fits into any 3900 and 4100 series B&B pipe jack
- Replaceable jaws

Item #	Description	Std Pkg
247-3904	6" Hold Down Head Vise w/Folding Jack	1 ea



6200 Hold Down Head - Head Only



- Replaceable jaws
- Locks pipe to the jack in less than 5 seconds
- Fits into any 3900 and 4100 series B&B Pipe Jack
- Up to 6" pipe capacity and 1000 lbs. weight capacity

Item #	Description	Std Pkg
247-6200	6" Chain Vise Head Only F/Pipe Stand	1 ea

5 Leg Giant Jack



- Pipe diameter up to 36"
- 2,500 lb weight capacity
- Operating height 31" – 45"

Item #	Description	Std Pkg
247-3510	5 Leg Giant Jack Kit (Jack, Casters, Steel Wheels)	1 ea

Tri-Stand Chain Vise



- Up to 6 inch pipe capacity
- Folding legs with chain lock
- Leg bracing doubles as a lipped shelf
- Heavy duty jaws that are replaceable
- Heavy duty with replaceable jaw
- Durable cast aluminum head

Item #	Description	Std Pkg
247-6100	6" Tri- Stand Chain Vise	1 ea

Adjustable Pipe Roller



- Stable 4 leg design with a 24" x 30" footprint.
- 1 1/2" wide steel / rubber wheels to reduce instances of "pipe travel".
- 1,000 lb weight capacity.
- T-Handle brake to stop pipe rotation.
- Wheels can be easily adjusted to accommodate pipe up to 36".

Item #	Description	Std Pkg
247-4305	32" Fixed 4 Leg Roller Stand - Rubber Wheels	1 ea

Adjustable Pipe Roller



- Stable 4 leg design with a 24" x 30" footprint.
- 1 1/2" wide steel / rubber wheels to reduce instances of "pipe travel".
- T-Handle brake to stop pipe rotation.
- Wheels can be easily adjusted to accommodate pipe up to 36".
- 2,500 lbs. weight capacity.

Item #	Description	Std Pkg
247-4300	32" Adjustable Pipe Roller - Steel Wheels	1 ea

Multi-Roll Pipe Roller



- Allows pipe raising and lowering under load.
- 3,000 lbs. weight capacity.
- Pipe capacity is 2" – 36".
- Pipe Brake System locks wheels on both sides of the Jack.
- Extra wide wheels reduce pipe travel.

Item #	Description	Std Pkg
247-4375	4 Roller Head Fixed Leg Adjustable Height	1 ea

Ball Transfer Sleeve



- Ball transfer sleeves slide over the standard V
- Adds pipe rotation and pipe feeding capabilities

Item #	Description	Std Pkg
247-90000	Ball Transfer Sleeves for Fixed/Folding Pipe Jacks	1 pr

V-Head Replacement Assembly



- Standard 10" V head
- Largest standard head on the market

Item #	Description	Std Pkg
247-90001	V- Head Replacement for Pipe Jacks Fixed/Folding	1 ea

Roller Head - Steel Wheels



- Roller Head
- Steel Wheels

Item #	Description	Std Pkg
247-90002	Roller Head Assembly w/Steel Wheels	1 ea

Stepped Wedge



- Two tools in one. Wedge and Gauge.
- Pull or push for gap width adjustments.
- Allows full line of sight during fit-up.
- Landings can be measured quickly and accurately.

Item #	Description	Std Pkg
247-2130	3/4" Stepped Wedge-Gauge Small	1 ea
247-2131	1-1/4" Stepped Wedge-Gauge Medium	1 ea
247-2132	1-1/2" Stepped Wedge-Gauge Large	1 ea

7728 Job Site Safety Red Storage Box



- Powder coated safety red.
- 28"x 12"x 11" capacity.

Item #	Description	Std Pkg
247-7728	28 x 12 x 11 Job Site Storage Box Safety Red	1 ea



Job Site Safety Red Storage Box



- Pre-drilled for caster installation
- Hinge lock lid keeps lid open
- Powder coated safety red
- Heavy gauge sheet metal
- Four side fork lift access

Item #	Description	Std Pkg
247-7732	32 x 18 x 16 Job Site Storage Box Safety Red	1 ea
247-7736	36 x 17 x 21 Job Site Storage Box Safety Red	1 ea
247-7748	48 x 24 x 28 Job Site Storage Box Safety Red	1 ea



Bilge Pump



- Flow: 13.0 gal/min
- Inlet size: 1-1/2"
- Nozzle type: 9-1/2"
- Rod material: Steel

Item #	Description	Std Pkg
063-B48	Bilge Pump	1 ea



Banding Tool



- Spring loaded gripper lever
- Blue epoxy powder coated finish
- Drop forged tool with built in cutter
- For use on band widths of 3/16" to 3/4"

Item #	Description	Std Pkg
044-C00169	3/16"-3/4" Banding Tool	1 ea

HD Banding Tool



- Spring loaded gripper lever
- Drop forged tool with built in cutter
- Tensions over 3,300 pounds of force
- Tensions and cuts off the tail of the clamp

Item #	Description	Std Pkg
044-C00369	3/16"-3/4" HD Banding Tool	1 ea

Center Punch Tool



- 3/8" adapter included
- Center Punch style lock
- Ratchet action tensioning tool

Item #	Description	Std Pkg
044-T30069	Center Punch Tool	1 ea

Banding Bantam Tool



- Built in cutter
- Useful in tight areas
- Compact and lightweight
- Zinc plated for corrosion resistance

Item #	Description	Std Pkg
044-C07569	3/16"-3/4" Banding Bantam Tool	1 ea

Banding Ratchet Tool



- Use with medium strength applications
- Tensions and cuts off the tail of the clamp
- For easy loading and removing of material

Item #	Description	Std Pkg
044-C40099	3/16"-3/4" Banding Ratchet Tool	1 ea

Pok-It II Tool w/Cutter



- Compact design
- Installs 3/16" - 3/8" band and buckle and BAND-IT Jr.® clamps
- Enables a quick strong tensioning for narrow band clamps

Item #	Description	Std Pkg
044-J02069	Pok-It Tool w/ Cutter 1/4" - 3/8"	1 ea

Center Punch Clamp 201 SS



- Lock with impact from a hammer using a conical punch
- Double wrapped using stainless steel or galvanized carbon steel

Item #	Description	Std Pkg
044-CP0699	5/8" x .025 x 1-1/2" GCS Center Punch Clamp	100/bx
044-CP10S9	5/8" x .025 x 2-1/2" 201SS Center Punch Clamp	50/bx
044-CP11S9	5/8" x .025 x 2-3/4" 201SS Center Punch Clamp	50/bx
044-CP12S9	5/8" x .025 x 3" 201SS Center Punch Clamp	50/bx
044-CP1699	5/8" x .025 x 4" GCS Center Punch Clamp	25/bx
044-CP16S9	5/8" x .025 x 4" 201SS Center Punch Clamp	25/bx
044-CP2099	5/8" x .025" x 5" Center Punch Clamp	25/bx
044-CP20S9	5/8" x .025 x 5" 201SS Center Punch Clamp	25/bx
044-CP28S9	5/8" x .025 x 7" 201SS Center Punch Clamp	25/bx
044-CP6S99	5/8" x .025 x 1-1/2" 201SS Center Punch Clamp	100/bx
044-CP8S99	5/8" x .025 x 2" 201SS Center Punch Clamp	100/bx

Banding Buckles 201 SS



- Wide variety of materials, widths and thickness
- Can be formed to virtually any diameter & shape
- High strength fastening and clamping

Item #	Description	Std Pkg
044-C25399	3/8" Buckles Ear-Lokt Style 201SS .043	100/bx
044-C25499	1/2" Buckles Ear-Lokt Style 201SS .050	100/bx
044-C25599	5/8" Buckles Ear-Lokt Style 201SS .060	100/bx
044-C25699	3/4" Buckles Ear-Lokt Style 201SS .070	100/bx



Banding Clip



- Made from 316 stainless
- Holds a single or double wrapped band
- Works with several different Band-It tools
- Band can be formed over any contour or shape

Item #	Description	Std Pkg
044-AE4559	5/8" 316SS Clip 100/bx	100/bx

201 SS Stainless Steel Bands



- Bright annealed finish
- Use with 044-C00169 Band-It® Tool
- High strength and quality appearance
- Resistant to oxidation & corrosive agents

Item #	Description	Std Pkg
044-C20399	3/8" x 100' x 0.025" 201SS Roll	1 roll
044-C20499	1/2" x 100' x 0.030" 201SS Roll	1 roll
044-C20599	5/8" x 100' x 0.030" 201SS Roll	1 roll
044-C20699	3/4" x 100' x 0.030" 201SS Roll	1 roll

316 SS Stainless Steel Bands



- Superior corrosion resistance
- Available with halogen free coating
- Application tool for coated band: C07569
- Application tool for uncoated band: C00169 or C07569

Item #	Description	Std Pkg
044-AE4349	1/2" Coated Band 316SS 82.5' Roll	1 roll
044-AE4359	5/8" Coated Band 316SS 82.5' Roll	1 roll



Claw Hammer Superduty



- Curved claw, round bell, polished head
- Forged high carbon steel head

Item #	Description	Std Pkg
067-00530	20 oz. Curved Claw Hammer	6 ea
067-00536	16 oz. Curved Claw Hammer	6 ea

Ball Pein Hammer - Wood Handle



- Forged high carbon steel heads

Item #	Description	Std Pkg
067-04412	12 oz Ball Pein Wood Handle Hammer	6 ea
067-04416	16 oz Ball Pein Wood Handle Hammer	6 ea
067-04420	20 oz Ball Pein Wood Handle Hammer	6 ea
067-04424	24 oz Ball Pein Wood Handle Hammer	6 ea
067-04432	32 oz Ball Pein Wood Handle Hammer	4 ea
067-04440	40 oz Ball Pein Wood Handle Hammer	4 ea

Ball Pein Hammer - Fiberglass Handle



- Black head, polished face, peen, and bevel
- Cushioned handle grip

Item #	Description	Std Pkg
067-04516	16 oz Ball Pein Fiberglass Handle Hammer	6 ea
067-04520	20 oz Ball Pein Fiberglass Handle Hammer	6 ea
067-04524	24 oz Ball Pein Fiberglass Handle Hammer	6 ea
067-04532	32 oz Ball Pein Fiberglass Handle Hammer	4 ea

Sledge Hammer - Wood Handle



- Painted head, polished face and hickory handle

Item #	Description	Std Pkg
067-05412	12 lb Sledge Hammer w/Hickory Handle	4 ea

Engineers Hammer - Wood Handle



- Double-faced engineers hammer also called short handle sledge

Item #	Description	Std Pkg
067-05421	2 lb Engineers Hammer 16" Handle	4 ea
067-05423	3 lb Engineers Hammer 16" Handle	4 ea
067-05424	4 lb Engineers Hammer 16" Handle	4 ea

BARCO industries inc.

Engineers Hammer - Fiberglass Handle



- Polished face, fiberglass handle

Item #	Description	Std Pkg
067-05823	3 lb Engineers Hammer 16" Fiberglass Handle	4 ea
067-05824	4 lb Engineers Hammer 16" Fiberglass Handle	4 ea

Rig Builders Hatchet - Wood Handle



- Milled face, 3-5/8" black blade, polished face and edge & nail slot
- Black head, polished face, peen, and bevel

Item #	Description	Std Pkg
067-09013	17" Handle Rig Builder Hatchet Milled Face	4 ea



Radiator Stop Leak Concentrate



- Stops and seals coolant leaks
- Works with any color antifreeze
- Seals leaks in radiator and heater core
- Stops leaks and drips from wear and age

Item #	Description	Std Pkg
083-1196	11 oz C16 Radiator Stop Leak	6 ea



Pencil Flame Torch Kit



- 14.1 oz. Propane-filled cylinder
- UI2317 basic pencil flame torch
- Brass burn tube for durability
- Solid brass regulators for durability
- Adjustable flame for controlled heat output

Item #	Description	Std Pkg
154-UL100	Pencil Flame Torch Kit w/Fuel Cylinder	3 ea

Multi-Use Torch Kit



- TS3000 self-igniting torch
- 14.1 oz Propane-filled cylinder
- Trigger start for ease of lighting
- Ergonomically designed comfort grip
- Stainless steel burn tube for durability
- Pressure regulated for consistent performance

Item #	Description	Std Pkg
154-TS3500KC	Multi-Use Adjustable Flame Torch Kit	3 ea

Trigger Start Torch Kit



- TS4000 trigger start torch
- 14.1 oz Map-pro-filled cylinder
- Efficient swirl flame provides high heat output
- Cast aluminum construction provides added durability

Item #	Description	Std Pkg
154-TS4000ZKC	Trigger Start Kit w/MAP-Pro Fuel Cylinder	3 ea

Trigger Start Premium Torch Kit



- 14.1 oz map-pro-filled cylinder
- TS8000 high intensity trigger start torch
- Run lock button keeps torch lit for finger-free use
- Cast aluminum construction provides added durability
- Adjustable flame control allows for a more precise flame

Item #	Description	Std Pkg
154-TS8000BZKC	Max Heat Tork Kit	3 ea

Trigger Start Hose Torch Kit



- Pressure regulated
- Adjustable flame control
- Stainless steel burn tube
- Lock button keeps torch lit

Item #	Description	Std Pkg
154-BZ8250HTKC	Premium Trigger Start Torch w/5' Hose	2 ea

Propane Fuel Cylinder Torch



- 14 oz propane filled fuel cylinder
- For general soldering
- For small heating applications

Item #	Description	Std Pkg
154-TX9	14.1 oz Propane Fuel Cylinder	12 ea



MAP-Pro Fuel Cylinder Torch



- 14 oz Map-Pro premium fuel
- For brazing, soft soldering
- Shrinking & paint stripping

Item #	Description	Std Pkg
154-MG9	14.1 oz MAP-Pro Fuel Cylinder	12 ea

Camping Fuel Cylinder Torch



- Larger 16.4 oz cylinder
- Compatible w/most camp stoves and lanterns
- Precision-engineered container for safety & reliability

Item #	Description	Std Pkg
154-TX916	16.4 oz Camping Fuel Cylinder	12 ea

Multi-Use Torch



- Ergonomically designed comfort grip.
- Stainless steel burn tube for durability.
- Adjustable flame control.
- Pressure regulated for consistent performance.

Item #	Description	Std Pkg
154-TS3500T	Multi-Use Adjustable Flame Torch	3 ea

Trigger Start Torch Head



- Efficient swirl flame provides high heat output
- Cast aluminum construction provides added durability

Item #	Description	Std Pkg
154-TS4000T	Trigger Start Torch Instant On-Off w/Lock Button	3 ea

Pencil Flame Torch Head



- Brass burn tube for durability
- Solid brass regulators for durability
- Adjustable flame for controlled heat output
- Produces 1/2" wide pencil flame for light work

Item #	Description	Std Pkg
154-UL2317	1/2" Flame Basic Pencil Torch Head	3 ea

Jumbo Flame Torch Head



- Fuel control knob
- Brass burn tube for durability
- Solid brass regulators for durability
- Adjustable flame for controlled heat output

Item #	Description	Std Pkg
154-JT680	1-1/4" Jumbo Flame Torch	3 ea

Self Igniting Outdoor Torch



- Easy-start yard utility torch
- Produces 20,000 BTU output

Item #	Description	Std Pkg
154-JT850	Self-Igniting Outdoor Torch	4 ea

Detail Torch



- Pinpoint flame for detailed work
- Continuous flame lock keeps torch lit
- Adjustable flame control easily sizes flame for different applications
- Three interchangeable settings: fine solder, hot air blower and pencil flame

Item #	Description	Std Pkg
154-ST2200T	3-in-1 Butane Heat/soldering Kit	6 ea

Spark Lighters



- Trigger-start ignition easily ignites the flame
- Ergonomically designed comfort grip
- Flame control valve easily
- Long stainless steel burn tube

Item #	Description	Std Pkg
154-TX405C	Spark Lighter Striker	6 ea



B-12 Fuel Treatment



- Quickly disperses moisture
- Increased spark plug and injector life
- Catalytic converter and oxygen sensor-safe
- Dissolves gum, varnish, and other fuel residues

Item #	Description	Std Pkg
107-0116	16 oz B-12 Chemtool Fuel Treatment	12 ea



B-12 Carburetor & Choke Cleaner



- Quickly dissolves gum, varnish, fuel residues
- Catalytic converter and oxygen sensor-safe
- Maximum performance and fuel economy
- Improves drivability

Item #	Description	Std Pkg
107-0117	16 oz B-12 Chemtool Carb/Choke Cleaner	12 ea

B-12 Injector Cleaner



- Dissolves gum, varnish and other deposits
- Catalytic converter and oxygen sensor-safe
- Cleans carburetors, fuel pumps and fuel jets
- Faster starts, smoother idling and maximum fuel economy

Item #	Description	Std Pkg
107-1112	B-12 Chemtool Injector Cleaner	12 ea

Brake Cleaner



- Non-flammable
- Quick drying formula leaves no residue
- Removes brake fluid, grease, oil and other contaminants

Item #	Description	Std Pkg
107-1420	Brake Cleaner 19 oz Non-Flame	12 ea

Brake Cleaner (Non-Chlorinated)



- Dries quickly and leaves no residue
- Cleans fast without chlorinated solvents
- Cleans brake fluid, grease, oil and other contaminants
- VOC Compliant in all 50 states

Item #	Description	Std Pkg
107-2421	19 oz Prof Non-Chlorinated Brake Cleaner	12 ea

Electric Motor Cleaner



- Non-staining, non-corrosive
- No flash point or fire point
- Dissolves dirt, grease, and oil quickly
- Contains no fluorocarbon or hydrocarbon propellants

Item #	Description	Std Pkg
107-1520	19 oz Professional Cleaner	12 ea

B-33 Engine Degreaser



- Proprietary blend of detergents and emulsifiers
- Easily penetrates road grime, dirt, grease and oil
- Fast spray on/rinse off cycle saves time and water
- Contains no phosphates, abrasives, solvents, or VOCs

Item #	Description	Std Pkg
107-1133	16 oz Engine Degreaser	12 ea

Tire Seal-R



- Stays liquid permanently
- Biodegradable formula
- Plugs leaks and prevents loss of air pressure
- Advanced corrosion inhibitors protect all types of wheels
- Seals porosity leaks in magnesium and aluminum composition wheels

Item #	Description	Std Pkg
107-1301	1 Gallon Tire Seal-R w/Pump	4 ea



Black Plastic Sheeting



- Color coded label system to easily identify size and gauge

Item #	Description	Std Pkg
059-B0420	20' x 100' x 4 mil Black Plastic Sheeting	1 roll
059-B0610	10' x 100' x 6 mil Black Plastic Sheeting	1 roll
059-B0620	20' x 100' x 6 mil Black Plastic Sheeting	1 roll
059-B0624	24' x 100' x 6 mil Black Plastic Sheeting	1 roll
059-B0632	32' x 100' x 6 mil Black Plastic Sheeting	1 roll
059-B0640	40' x 100' x 6 mil Black Plastic Sheeting	1 roll

Clear Plastic Sheeting



- Color coded label system to easily identify size and gauge

Item #	Description	Std Pkg
059-C0420	20' x 100' x 4 mil Clear Plastic Sheeting	1 roll
059-C0610	10' x 100' x 6 mil Clear Plastic Sheeting	1 roll
059-C0612	12' x 100' x 6 mil Clear Plastic Sheeting	1 roll
059-C0616	16' x 100' x 6 mil Clear Plastic Sheeting	1 roll
059-C0620	20' x 100' x 6 mil Clear Plastic Sheeting	1 roll
059-C0624	24' x 100' x 6 mil Clear Plastic Sheeting	1 roll
059-C0640	40' x 100' x 6 mil Clear Plastic Sheeting	1 roll



Heavy Duty Contractor Bags



- Heavy Duty 3 mil
- Black contractor bags
- Packaged in durable cardboard box

Item #	Description	Std Pkg
059-CCB720	42 Gal 3 Mil Contractor Bags - 20 ct	1 box
059-CCB733	33 Gal 3 Mil Contractor Bags - 12 ct	1 box
059-CCB750	42 Gal 3 Mil Contractor Bags - 50 ct	1 box
059-CDL5515	55 Gal 3 Mil Contractor Bags - 15 ct	1 box

Trash Can Liner



- 13 gal
- Wing tie
- 0.65 mil
- 120 bags and twist ties

Item #	Description	Std Pkg
059-RP102A	13 gal White Trash Can Liner - 120 ct	1 box



140B Spray Gun & Accessories



- Used to spray solvents that clean engines and other machinery
- Requires 14 CFM air at 50 PSI
- Air Inlet: 1/4" NPS

Item #	Description	Std Pkg
024-140B	140B Spray Gun	1 ea



Bitumastic 50 - 1 gal



- Ultra-high build, single-component coal tar mastic
- Application up to 30 dry mils in a single coat
- Self priming, single-coat capabilities
- Excellent corrosion resistance

Item #	Description	Std Pkg
008-BIT50-1	50 (1 gal Coal Tar Mastic)	4 gal

Bitumastic 50 - 5 gal



- Ultra-high build, single-component coal tar mastic
- Application up to 30 dry mils in a single coat
- Self priming, single-coat capabilities
- Excellent corrosion resistance

Item #	Description	Std Pkg
008-BIT50-5	50 (5 Gallon Coal Tar Mastic)	1 pail



Penetrating Catalyst



- Higher 152°F flashpoint
- Serves as a rust inhibitor
- Non-evaporating lubricant
- Breaks loose surface tension of rust/frozen parts

Item #	Description	Std Pkg
036-16-PB	Chemical PB Blaster	12 ea

Penetrating Catalyst with Sprayer



- Higher 152°F flashpoint
- Serves as a rust inhibitor
- Non-evaporating lubricant
- Breaks loose surface tension of rust/frozen parts

Item #	Description	Std Pkg
036-128-PB	1 Gallon Chemical w/Sprayer	4 gal

Citrus Based Degreaser



- Non-Staining
- Dries with no residue
- Strips and removes wax
- Removes grease, oil and dirt
- Biodegradable and non-toxic

Item #	Description	Std Pkg
036-16-CBD	12 oz Chemical Citrus Based Degreaser	12 ea

All Purpose Lubricant



- Displaces and repels moisture
- Great lubricant for moving parts
- Over 1000 uses and applications
- Protects and helps prevent rust and corrosion

Item #	Description	Std Pkg
036-PB-50	Chemical All Purpose Lubricant	12 ea



PTFE Thread Seal Compound - 1/4 pt



- Formulated for extra lubrication on metal pipe threads
- Slow-drying, soft-setting, non-hardening compound
- Will not harden or separate in the can
- Pressure rating of up to 10,000 PSI for liquids

Item #	Description	Std Pkg
245-76001	1/4 pt PTFE Thread Seal Compound	24 ea



PTFE Thread Seal Compound - 1 pt



- Grit free
- Non-toxic
- Low-Odor
- Non-hardening
- Adheres to oily threads
- Slow-drying soft-set formula

Item #	Description	Std Pkg
245-76005	1 pt PTFE Thread Seal Compound	12 ea

PTFE Thread Seal Compound - 1 qt



- Non-toxic and grit free
- Non-hardening, slow-drying soft-set formula
- Formulated with PTFE resin
- Specially formulated for extra lubrication
- For PVC, CPVC, ABS and nylon plastic pipe systems

Item #	Description	Std Pkg
245-76017	1 qt PTFE Thread Seal Compound	12 ea

Thread Seal Compound



- Slow-drying, soft-setting, non-hardening compound
- Applies evenly and quickly to threads
- Will not harden or separate in the can
- Pressure rating of up to 6,000 PSI for liquids

Item #	Description	Std Pkg
245-76009	1/4 pt Thread Seal Compound	24 ea
245-76015	1 pt Thread Seal Compound	12 ea

Nickel Anti-Seize Lubricant & Sealant



- Effective at temperatures up to 2600°F
- Made of pure nickel powder and graphite flake
- Helps prevent, rusting, seizing, welding, or galling
- Will not contaminate catalyst beds, reaction chambers, or special alloy fittings

Item #	Description	Std Pkg
245-76020	8 oz Nickel Anti-Seize Lubricant & Sealant	12 ea
245-76022	16 oz Nickel Anti-Seize Lubricant & Sealant	12 ea

Copper Anti-Seize Lubricant & Sealant



- Prevents rust and corrosion
- Will not bleed, separate or settle
- Effective at temperatures up to 1800°F
- Specially formulated copper-based thread sealant
- Prevents seizing, galling and corrosion under extreme conditions

Item #	Description	Std Pkg
245-76024	10 oz Copper Anti-Seize Lubricant & Sealant	12 ea
245-76026	16 oz Copper Anti-Seize Lubricant & Sealant	12 ea

Heavy Duty Citrus Scrubbing Towels



- Fresh citrus scent
- Non-rinsing - Quick drying
- Vitamin E, Aloe, and Lanolin
- 10" x 12" dual-textured towels
- Pre-Moistened - No water required
- Tough, durable dispenser bucket - light and portable
- Secure dispenser lid prevents towels from drying out

Item #	Description	Std Pkg
245-77095-R	Citrus Scrubbing Towels & Floor	6 ea

Heavy Duty Citrus Scrubbing Towels - Display



- Fresh citrus scent
- 20 cases per display
- Non-rinsing - Quick drying
- Vitamin E, Aloe, and Lanolin
- 10" x 12" dual-textured towels
- Pre-Moistened - No water required
- Tough, durable dispenser bucket - light and portable
- Secure dispenser lid prevents towels from drying out

Item #	Description	Std Pkg
245-77095-DISPLAY	Citrus Scrubbing Towels & Floor (20ea/Display)	1 ea

PTFE Thread Seal Tape



- No need for pipe dope
- Will not harden or crack
- Acts as a thread lubricant and anti-seize
- Seals fittings at pressures up to 10,000 PSI

Item #	Description	Std Pkg
245-70885	1/2" x 1429" PTFE Pro Grade Thread Seal Tape	45 ea
245-70886	3/4" x 1429" PTFE Pro Grade Thread Seal Tape	27 ea
245-70887	1" x 1429" PTFE Pro Grade Thread Seal Tape	27 ea

BIG PTFE Thread Seal Tape



- No need for pipe dope
- Will not harden or crack
- Acts as a thread lubricant and anti-seize
- Seals fittings at pressures up to 10,000 PSI

Item #	Description	Std Pkg
245-70888	2" x 1429" PTFE Pro Grade Thread Seal Tape	27 ea

Mini PTFE Thread Seal Tape



- No need for pipe dope
- Will not harden or crack
- Acts as a thread lubricant and anti-seize
- Seals fittings at pressures up to 10,000 PSI

Item #	Description	Std Pkg
245-70660	1/2" x 260" Mini PTFE Pro Grade Thread Seal Tape	144 ea
245-70661	1/2" x 520" Mini PTFE Pro Grade Thread Seal Tape	144 ea
245-70663	3/4" x 520" Mini PTFE Pro Grade Thread Seal Tape	100 ea
245-70665	1" x 520" Mini PTFE Pro Grade Thread Seal Tape	120 ea



Copper Guard Anti-Seize Thread Sealing Tape



- Helps prevent galling
- Permits the easy assembly and disassembly of threaded components
- The PTFE provides lubricity and the copper flakes act as slide or bearing plates between the two mating surfaces

Item #	Description	Std Pkg
245-70811	1/2" x 600' Copper Guard PTFE Thread Seal Tape	10 ea

Gas Guard PTFE Thread Seal Tape



- Designed specifically for gas lines
- Full or maximum-density thread sealing tape
- Color-coded yellow
- Ideally suited for natural gas, propane, and butane lines

Item #	Description	Std Pkg
245-70826	1/2" x 1000' Gas Guard PTFE Thread Seal Tape	30 ea

Nickel Guard Anti-Seize Thread Sealing Tape



- Prevents stainless steel fittings from galling
- The tape is impregnated with nickel powder which acts like bearing plates, keeping the surface of the male and female threads apart
- Thicker and denser than average

Item #	Description	Std Pkg
245-70894	1/2" x 600' Nickel Guard PTFE Thread Seal Tape	10 ea

Micobubble Leak Detector



- Provides long lasting leak detection up to 10 minutes
- Detects even the smallest of leaks in air and gas lines, tanks, cylinders, valves, fittings, pipelines, etc
- Ideal for identifying leaks in refrigeration and air conditioning systems, natural gas, propane, butane, air, nitrogen, chlorine, CO2, and most other gases

Item #	Description	Std Pkg
245-71023	8 oz Leak Detector w/Dauber	24 ea



5 pc Hex End GorillaGrip Fold-Up



- Chamfered tips help eliminate burrs
- Molded-in 90 degree stop
- Spacers between tools

Item #	Description	Std Pkg
197-12585	5 pc (3/16-3/8") GorillaGrip Hex Fold-Up Wrench	1 set

9 pc Hex End GorillaGrip Fold-Up - 5/64"-1/4"



- Chamfered tips help eliminate burrs
- Molded-in 90 degree stop
- Spacers between tools

Item #	Description	Std Pkg
197-12589	9 pc (5/64-1/4") GorillaGrip Hex Fold-Up Wrench	1 set

9 pc Hex End GorillaGrip Fold-Up - .050-3/16"



- Tool user can adjust tool tension
- Durable GorillaGrip® handle is stronger than steel handles
- Patented handle design makes every job faster and easier

Item #	Description	Std Pkg
197-12591	9 pc (.050-3/16") GorillaGrip Hex Fold-Up Wrench	1 set

7 pc Metric Hex End GorillaGrip Fold-Up



- Tool user can adjust tool tension
- Durable GorillaGrip® handle is stronger than steel handles
- Patented handle design makes every job faster and easier

Item #	Description	Std Pkg
197-12587	7 pc (2-8mm) Hex Fold-Up Metric Wrench	1 set

2 pc Hex End GorillaGrip Fold-Up



- Tool user can adjust tool tension
- Durable GorillaGrip® handle is stronger than steel handles
- Patented handle design makes every job faster and easier

Item #	Description	Std Pkg
197-12522	2 pc GorillaGrip Hex Fold-Up Wrench	1 set

8 pc Torx GorillaGrip Star Fold-Up



- Tool user can adjust tool tension
- Durable GorillaGrip® handle is stronger than steel handles
- Patented handle design makes every job faster and easier

Item #	Description	Std Pkg
197-12634	8 pc (T8-T40) GorillaGrip Star Tip Fold-Up Torx	1 set

5 pc Fold-Up Hex Key



- Precision machined for ease of use and superior fit
- Chamfered tool tips eliminate burrs and help tools seat in screw head
- Sharp corners transfer torque to screw more

Item #	Description	Std Pkg
197-14585	5 pc Metal Fold-Up Hex Key (3/16"-3/8") #51	1 ea



8 pc Fold-Up Hex Key



- Precision machined for ease of use and superior fit
- Chamfered tool tips eliminate burrs and help tools seat in screw head
- Sharp corners transfer torque to screw more

Item #	Description	Std Pkg
197-14590	8 pc Metal Fold-Up Hex Key Set (.050-5/32") #81	1 ea

9 pc Fold-Up Hex Key - 5/64"-1/4"



- Precision machined for ease of use
- Chamfered tool tips eliminate burrs and help tools seat in screw head
- Sharp corners transfer torque to screw

Item #	Description	Std Pkg
197-14589	9 pc Metal Fold-Up Hex Key (5/64"-1/4") #91	1 ea

9 pc Fold-Up Hex Key - 0.050-3-1/16"



- Precision machined for ease of use and superior fit
- Chamfered tool tips eliminate burrs and help tools seat in screw head
- Sharp corners transfer torque to screw

Item #	Description	Std Pkg
197-14591	9 pc Metal Fold-Up Hex Key (.050-3-1/16)	1 ea

15 pc Hex End L-Wrench - Long



- Precision machined for ease of use and superior fit
- Sharp corners transfer more torque to the screw and reduce stripping
- Chamfered tool tips eliminate burrs and help tools seat in screw head

Item #	Description	Std Pkg
197-12351	15 pc Long Hex Key Set (5/64"-3/4") in Pouch	1 ea

15 pc Hex End L-Wrench - Short



- Precision machined for ease of use and superior fit
- Sharp corners transfer more torque to the screw and reduce stripping
- Chamfered tool tips eliminate burrs and help tools seat in screw head

Item #	Description	Std Pkg
197-12347	15 pc Hex Key Short (.028"-3/8") in Pouch	1 ea

13 pc Hex End L-Wrench - Long



- Precision machined for ease of use and superior fit
- Sharp corners transfer more torque to the screw and reduce stripping
- Chamfered tool tips eliminate burrs and help tools seat in screw head

Item #	Description	Std Pkg
197-12137	13 pc (.050-3/8") ProGuard Hex End L-Wrench	1 set

9 pc Metric Hex End L-Wrench - Short



- Precision machined for ease of use and superior fit
- Sharp corners transfer more torque to the screw and reduce stripping
- Chamfered tool tips eliminate burrs and help tools seat in screw head

Item #	Description	Std Pkg
197-12199	9 pc (1.5-100) Metric Short Hex L-Wrench	1 set

22 pc Hex End L-Wrench



- Precision machined for ease of use and superior fit
- Sharp corners transfer more torque to the screw and reduce stripping
- Chamfered tool tips eliminate burrs and help tools seat in screw head

Item #	Description	Std Pkg
197-22199	22 pc ProGuard 2 pk Hex L-Wrench SAE/Metric	1 ea

13 pc Ball End L-Wrench



- Superior Ball End strength and working 25° angle
- Ball End saves time by quickly funneling tool into screw
- 25° angle allows natural hand and wrist movement
- Works best in hard to reach places

Item #	Description	Std Pkg
197-10937	13 pc (.050-3/8") Balldriver End L-Wrench	1 set

9 pc Metric Ball End L-Wrench



- Superior Ball End strength and working 25° angle
- Ball End saves time by quickly funneling tool into screw
- 25° angle allows natural hand and wrist movement
- Works best in hard to reach places

Item #	Description	Std Pkg
197-10999	9 pc (1.5-10) mm Metric Balldriver End L-Wrench	1 set

22 pc Ball End L-Wrench



- Superior Ball End strength and working 25° angle
- Ball End saves time by quickly funneling tool into screw
- 25° angle allows natural movement

Item #	Description	Std Pkg
197-20199	22 pc Ball End SAE/Metric Hex L-Wrench 2 pk	1 set

13 pc Hex End L-Wrench - Long



- Superior Ball End strength and working 25° angle
- Ball End saves time by quickly funneling tool into screw
- 25° angle allows natural hand and wrist movement
- Works best in hard to reach places

Item #	Description	Std Pkg
197-12342	13 pc Long Hex Key Set (1/16"-1/2")	1 ea



18 pc Hex End L-Wrench - Short



- Superior Ball End strength and working 25° angle
- Ball End saves time by quickly funneling tool into screw
- 25° angle allows natural movement

Item #	Description	Std Pkg
197-12339	18 pc Short Hex Key Set (.028"-5/8")	1 ea

15 pc Hex End L-Wrench - Short



- Superior Ball End strength and working 25° angle
- Ball End saves time by quickly funneling tool into screw
- 25° angle allows natural movement

Item #	Description	Std Pkg
197-12344	15 pc Short Hex Key Set (.028"-3/8")	1 ea

15 pc Metric Hex End L-Wrench - Short



- Superior Ball End strength and working 25° angle
- Ball End saves time by quickly funneling tool into screw
- 25° angle allows natural movement

Item #	Description	Std Pkg
197-12394	15 pc Hex Key Short (.71-17mm) Metric	1 ea

10 pc Metric Hex End L-Wrench - Long



- Superior Ball End strength and working 25° angle
- Ball End saves time by quickly funneling tool into screw
- 25° angle allows natural hand and wrist movement
- Works best in hard to reach places

Item #	Description	Std Pkg
197-12396	10 pc Long Metric Hex Key Set (1.5-12mm)	1 ea

10 pc Hex End T-Handle Set



- Solid steel handle and ergonomic handle design
- Welded handle/blade connection with a smooth, non-porous handle design
- Set purchase includes a T-Handle Sets Stand

Item #	Description	Std Pkg
197-15390	10 pc T-Handle Hex Key Set (3/32-3/8" x 9")	1 ea

10 pc Ball End T-Handle Set



- Solid steel handles
- Welded handle/blade connection
- Ergonomic handle design
- Flywheel effect saves time
- Smooth, non-porous handle coating

Item #	Description	Std Pkg
197-13138	10 pc (3/32-3/8") ProGuard T-Handle Hex Wrench	1 set

ProGuard Ball End T-Handle



- Smooth, non-porous handle coating
- Solid steel handles and a welded handle/blade connection

Item #	Description	Std Pkg
197-13114	3/8" ProGuard Hex Key Ball End T-Handle	1 ea



Fiberglass Resin Repair Kit - 1/2 pt



- Includes: How-To directions, Fiberglass resin, Liquid hardener, Plastic spreader, Fiberglass cloth, Mixing stick, Mixing tray

Item #	Description	Std Pkg
037-00420	1/2 Pint Fiberglass Repair Kit Resin	6 kit

Fiberglass Resin Repair Kit - 1 qt



- Includes: How-To directions, Fiberglass resin, Liquid hardener, Plastic spreader, Fiberglass cloth, Mixing stick, Mixing tray

Item #	Description	Std Pkg
037-00422	1 Quart Fiberglass Repair Kit Resin	6 kit



4 1/2" Small Angle Grinder



- 6 Amps
- 11,000 RPM
- Spindle lock
- 5/8"-11" Spindle
- Lock-on/off switch
- Epoxy coated field windings

Item #	Description	Std Pkg
131-1375A	4-1/2" Mini-Angle Grinder w/Slide Switch	1 ea

Titanium-Coated Metal Drill Bit Set



- Made for heavy-duty, repetitive drilling
- Lasts up to 6 times longer than higher speed steel bits
- Penetrates through tough surfaces, including stainless steel

Item #	Description	Std Pkg
131-TI14	14 pc 1/16" - 1/2" Titanium Drill Bit Set	1 ea



Automatic Optical Level



- Powerful 26x magnification power allows for a range of 330'
- All metal housing with IP54 protection
- Offers 1/16-inch accuracy at 100'
- Tripod and 8' rod included

Item #	Description	Std Pkg
131-GOL-26CK	26X Auto Level Pro- Series w/Tripod & 8' Rod	1 ea



Cotton Black PVC Dotted Palm



- 10 oz 100% cotton
- Black pvc dotted palm, thumb & index finger
- Clute cut design
- Knit wrist
- Straight thumb

Item #	Description	Std Pkg
029-1BP5501	10 oz Cotton PVC Dotted Palm - Large	1 doz

Cotton Blend Black PVC Dotted Palm



- Black pvc dotted palm, thumb, index & pinkie finger
- Clute cut design
- Knit wrist
- Straight thumb
- Single-ply poly/cotton blend

Item #	Description	Std Pkg
029-1JP5501	8 oz Poly/Cotton PVC Dotted Palm - Large	1 doz
029-1JP5505	10 oz Poly/Cotton PVC Dotted Palm - Large	1 doz

Cotton Blend Orange PVC Dotted Palm



- Clute cut design
- Fluorescent orange pvc dotted palm, thumb & index finger
- Knit wrist
- Straight thumb
- 10 oz. Single-ply poly/cotton blend

Item #	Description	Std Pkg
029-1JP5504	10 oz Poly/Cotton PVC Dotted Palm - Large	1 doz

Boss Cord White Cotton



- 2-ply, 20 oz. 100% cotton boss cord™
- Clute cut design
- Knit wrist
- Wing thumb

Item #	Description	Std Pkg
029-30MI	2 ply White Cotton Canvas - Large	1 doz

2 ply Hi-Vis Cotton Glove - Orange



- 20 oz, 100% cotton
- Clute cut design with winged thumb
- Knit wrist to help keep debris out

Item #	Description	Std Pkg
029-30MIF	2 ply Hi-Vis Orange Cotton - Large	1 doz

2 ply Hi-Vis Cotton Glove - Green



- 20 oz, 100% cotton
- Clute cut design with winged thumb
- Knit wrist to help keep debris out

Item #	Description	Std Pkg
029-30MIN	2 ply Hi-Vis Green Cotton - Large	1 doz

Boss Cord w/Rubberized Safety Wrist



- 2-ply, 20 oz. 100% cotton boss cord™
- Clute cut design
- Rubberized safety cuff
- Wing thumb

Item #	Description	Std Pkg
029-30SI	2 ply White Cotton Canvas - Large	1 doz

Deep Rigger



- Comfortable cotton flannel lined palm
- Flexible knit wrist
- Heavyweight fabric for longer wear
- Quality construction
- 18 ounce 2 ply quilted chore

Item #	Description	Std Pkg
029-4005	18 oz 2 ply Cotton White Canvas - Large	1 doz

Poly/Cotton Double Palm Glove



- Clute cut design
- Knit wrist
- Cotton/poly canvas
- Wing thumb

Item #	Description	Std Pkg
029-1JC28013	18 oz 100% Cotton/Canvas Double Palm	1 doz

Munk Chore Gloves



- Breathable cotton back
- Rubberized waterproof safety cuff with turtleneck
- Straight thumb
- 2-ply quilted palm

Item #	Description	Std Pkg
029-1BC5510	Munk Chore Double Palm - Large	1 doz



2-Ply Chore Gloves



- Straight Thumb
- Clute Cut Design
- Starched Gauntlet Cuff
- Breathable Cotton Back
- Lightweight 2-Ply Quilted Fleece-Out Palm

Item #	Description	Std Pkg
029-1BC28571	2-Ply Golden Brown Double Palm	1 doz

Hot Mill Gloves



- Rubberized gauntlet cuff
- Straight thumb
- 12 oz., 2-ply, 100% cotton nap-out palm
- 6 oz. Rayon lining

Item #	Description	Std Pkg
029-1BC40721	2 Ply Hot Mill Cotton	1 doz

Drivers Grain Pigskin



- Double stitched index finger
- Keystone thumb
- Open cuff with cotton hem
- Grain pigskin leather

Item #	Description	Std Pkg
029-1JL4052-L	Grain Pigskin Driver - Large	1 doz
029-1JL4052-M	Grain Pigskin Driver - Medium	1 doz
029-1JL4052-XL	Grain Pigskin Driver - X Large	1 doz

Drivers Grain Cowhide



- Double stitched index finger
- Keystone thumb
- Open cuff with color-coded hem
- Leather palm with split cowhide
- Sewn with heat and cut resistant aramid thread

Item #	Description	Std Pkg
029-1JL9066K-L	Split Cowhide Leather Palm Driver - Large	1 doz

Grain Goatskin Driver Gloves



- Gunn Cut Design
- Keystone Thumb
- Shirred Elastic Back
- Open Cuff With Color Coded Hem
- Economy Grade Grain Goatskin Leather

Item #	Description	Std Pkg
029-1JL4061-L	Unlined Goatskin Drivers Gloves - L	1 doz
029-1JL4061-M	Unlined Goatskin Drivers Gloves - M	1 doz
029-1JL4061-XL	Unlined Goatskin Drivers Gloves - XL	1 doz

Hi-Vis Hi-Impact



- Foam padded, high-vis back with reflective knuckle strap
- Nylon & rubber cuff binding
- Synthetic leather palm with pvc dots
- Wing thumb

Item #	Description	Std Pkg
029-1JM600-L	Hi-Vis Impact Dotted Palm - Large	6 pr
029-1JM600-M	Hi-Vis Impact Dotted Palm - Medium	6 pr
029-1JM600-XL	Hi-Vis Impact Dotted Palm - X Large	6 pr

Miners Mechanic Gloves



- Elastic Wrist w/Pull & Adjustable Closure
- Foam Padded, Hi-Vis Back
- Fourchette Fingers & Wing Thumb
- Synthetic Leather Palm
- TPR Molded Knuckle Impact Protection

Item #	Description	Std Pkg
029-1JM400-L	Hi-Vis Impact Gloves - L	1 doz
029-1JM400-XL	Hi-Vis Impact Gloves - XL	1 doz

Brown Jersey Gloves



- Clute cut design
- Knit wrist
- Brown poly/cotton blend
- Straight thumb

Item #	Description	Std Pkg
029-1JJ1843	9 oz Brown Jersey - Large	1 doz

String Knit



- Knit wrist with color-coded hem
- Regular weight, 60% cotton, 40% polyester
- Reversible

Item #	Description	Std Pkg
029-1JC1202B	White Poly/Cotton String Knit - Small	1 doz

Reversible String Knit Cotton



- Black pvc dots on back and palm
- Knit wrist with color-coded hem
- Regular weight, natural colored cotton/polyester blend

Item #	Description	Std Pkg
029-1JP5522	String Knit Reversible Gloves - Large	1 doz



Reversible String Knit Hi-Vis



- Black pvc dots on back and palm
- Fluorescent orange acrylic string knit
- Knit wrist with color-coded hem

Item #	Description	Std Pkg
029-1JP9522F	String Knit Reversible Hi-Vis Gloves - Large	1 doz

Reversible String Knit Nylon/Poly



- Heavyweight, white 40% polyester, 40% acrylic, 20% nylon
- Knit wrist with color-coded hem
- Reversible

Item #	Description	Std Pkg
029-1KS0101X	Reversible String Knit Gloves - X Large	1 doz

Flexi-Grip String Knit



- Gray latex palm dip with crinkled grip
- Knit wrist with color-coded hem
- Regular weight, 64% polyester 36% cotton shell

Item #	Description	Std Pkg
029-1SR8425L	Flexi-Grip String Knit Gloves - Large	1 doz
029-1SR8425M	Flexi-Grip String Knit Gloves - Medium	1 doz
029-1SR8425X	Flexi-Grip String Knit Gloves - X Large	1 doz

The Assembler X-TRA Gloves



- Breathable Back
- Knit Wrist With Color-Coded Hem
- Palm Dip Of Absorbent Open-Cell Foam Nitrile
- 13 Gauge Seamless Polyester Shell
- EN 388: 2121 (Cut Level 1)

Item #	Description	Std Pkg
029-1UH7805-L	13 ga Assembler X-TRA Gloves	1 doz

Blue Nitrile Jersey Lined Smooth Grip



- Premium blue nitrile
- 2-piece jersey lined
- Safety cuff
- Smooth grip

Item #	Description	Std Pkg
029-1UH7065L	Blue Nitrile Jersey Glove - Large	1 doz
029-1UH7065M	Blue Nitrile Jersey Glove - Medium	1 doz

Boss Tech Foam Nitrile Palm



- 13 gauge polyester shell
- Double palm dip of foam nitrile
- Knit wrist with color-coded hem
- Breathable back

Item #	Description	Std Pkg
029-1UH7820-L	Double Dip Foam Nitrile Palm - Large	1 doz

Tech Foam Nitrile Gloves



- 13 Gauge Polyester Shell
- Double Palm Dip Of Foam Nitrile
- Knit Wrist With Color-Coded Hem
- Breathable Back
- EN 388: 2121 (Cut Level 1)

Item #	Description	Std Pkg
029-1UH7820-M	Tech Plus Foam Nitrile Coated Gloves - M	1 doz
029-1UH7820-XL	Tech Plus Foam Nitrile Coated Gloves - XL	1 doz

Green PVC w/ Sandy Grip



- Fully coated, double dipped
- Jersey lined
- Sandy grip
- 14" long

Item #	Description	Std Pkg
029-1SP5714	14" Green PVC Double Dipped - Large	1 doz

Black PVC w/ Sandy Grip



- Fully coated
- Interlock lined
- Sandy grip
- 12" long

Item #	Description	Std Pkg
029-1SP6712	12" Black PVC Double Dipped - Large	1 doz

Black PVC w/ Smooth Grip



- Single-dipped pvc
- Interlock lined
- Smooth grip

Item #	Description	Std Pkg
029-1SP8714	14" Black PVC Fully Coated - Large	1 doz
029-1SP8718	18" Black PVC Fully Coated - Large	1 doz



Disposable Latex Gloves



- General grade
- 100 per dispenser box
- 9.5" long

Item #	Description	Std Pkg
029-1UL0004L	3 mil Latex Lightly Powdered - Large	1 box
029-1UL0004M	4 mil Latex Lightly Powdered - Medium	1 box
029-1UL0004XL	5 mil Latex Lightly Powdered - X Large	1 box
029-1UL0007XL	4 mil Latex Powder-Free - X Large	1 box

Disposable 4 Mil Nitrile



- 4 mil, blue nitrile disposable gloves
- 100 per dispenser box
- General grade
- 9.5" long

Item #	Description	Std Pkg
029-1UH0001-M	4 mil Blue Nitrile Lighted Powdered - Medium	1 box
029-1UH0001-XL	4 mil Blue Nitrile Lighted Powdered - X Large	1 box
029-1UH0007L	4 mil Blue Nitrile Powder-Free - Large	1 box
029-1UH0007M	4 mil Blue Nitrile Powder-Free - Medium	1 box
029-1UH0007XL	4 mil Blue Nitrile Powder-Free - X Large	1 box

PVC Poly Lined Rain Coat



- 48" long
- Cape style back
- Detachable hood
- Non-corrosive, non-conductive plastic snaps
- Polyester lined, 35mm yellow PVC trench coat
- Raglan sleeves with take-up snaps at cuffs
- Storm-fly front keeps out water

Item #	Description	Std Pkg
029-3PR7900Y-4XL	Lined PVC Rain Coat - 4XL	1 ea
029-3PR7900Y-5XL	Lined PVC Rain Coat - 5XL	1 ea
029-3PR7900YG-3XL	Lined PVC Rain Coat - 3XL	1 ea
029-3PR7900YJ-2XL	Lined PVC Rain Coat - 2XL	1 ea
029-3PR7900Y-L	Lined PVC Rain Coat - L	1 ea
029-3PR7900Y-M	Lined PVC Rain Coat - M	1 ea
029-3PR7900Y-S	Lined PVC Rain Coat - S	1 ea
029-3PR7900YX-XL	Lined PVC Rain Coat - XL	1 ea

PVC Poly Lined Rain Coat



- 48" long
- Cape style back
- Detachable hood
- Non-corrosive, non-conductive plastic snaps
- Polyester lined, 35mm yellow PVC trench coat
- Raglan sleeves with take-up snaps at cuffs
- Storm-fly front keeps out water

Item #	Description	Std Pkg
029-3PR8000Y-4XL	Lined PVC Rain Coat - 4XL	1 ea
029-3PR8000Y-5XL	Lined PVC Rain Coat - 5XL	1 ea
029-3PR8000YG-3XL	Lined PVC Rain Coat - 3XL	1 ea
029-3PR8000YJ-2XL	Lined PVC Rain Coat - 2XL	1 ea
029-3PR8000Y-L	Lined PVC Rain Coat - L	1 ea
029-3PR8000YX-XL	Lined PVC Rain Coat - XL	1 ea

PVC Poly Lined Rain Jacket



- Adjustable hook & loop hood closures
- 2 cargo pockets on jacket
- Polyester lined, 50mm PVC jacket
- Reinforced elbows
- Storm-fly front with zipper
- Underarm vents

Item #	Description	Std Pkg
029-3PR0500YJ-XXL	Lined PVC Rain Jacket - XXL	1 ea
029-3PR0500Y-L	Lined PVC Rain Jacket - L	1 ea
029-3PR0500Y-M	Lined PVC Rain Jacket - M	1 ea
029-3PR0500YX-XL	Lined PVC Rain Jacket - XL	1 ea

PVC Poly Lined 3 pc Rain Suit



- Detachable hood
- Adjustable elastic suspenders
- Polyester lined, 3 piece 35mm PVC rain suit
- Storm-fly front on bibs & jacket
- Take-up snaps on ankles & cuffs

Item #	Description	Std Pkg
029-3PR0290Y-4XL	3 pc Lined PVC Rain Suit - 4XL	1 ea
029-3PR0290YG-3XL	3 pc Lined PVC Rain Suit - 3XL	1 ea
029-3PR0290YJ-2XL	3 pc Lined PVC Rain Suit - 2XL	1 ea
029-3PR0290Y-L	3 pc Lined PVC Rain Suit - L	1 ea
029-3PR0290Y-M	3 pc Lined PVC Rain Suit - M	1 ea
029-3PR0290YX-XL	3 pc Lined PVC Rain Suit - XL	1 ea



PVC Poly Lined 3 pc Rain Suit



- Detachable hood
- Adjustable elastic suspenders
- Polyester lined, 3 piece 35mm PVC rain suit
- Storm-fly front on bibs & jacket
- Take-up snaps on ankles & cuffs

Item #	Description	Std Pkg
029-3PR0300Y-4XL	3 pc Lined PVC Rain Suit - 4XL	1 ea
029-3PR0300YG-3XL	3 pc Lined PVC Rain Suit - 3XL	1 ea
029-3PR0300YJ-2XL	3 pc Lined PVC Rain Suit - 2XL	1 ea
029-3PR0300Y-L	3 pc Lined PVC Rain Suit - L	1 ea
029-3PR0300Y-M	3 pc Lined PVC Rain Suit - M	1 ea
029-3PR0300YX-XL	3 pc Lined PVC Rain Suit - XL	1 ea

Steel Toe PVC Knee Boot



- Steel toe
- Cleated outer sole
- Over-the-sock black economy pvc knee boot

Item #	Description	Std Pkg
029-2KS210008	Size 8 Steel Toe PVC Knee Boot	1 pr
029-2KS210009	Size 9 Steel Toe PVC Knee Boot	1 pr
029-2KS210010	Size 10 Steel Toe PVC Knee Boot	1 pr
029-2KS210011	Size 11 Steel Toe PVC Knee Boot	1 pr
029-2KS210012	Size 12 Steel Toe PVC Knee Boot	1 pr
029-2KS210013	Size 13 Steel Toe PVC Knee Boot	1 pr



Worksafe Flashlight - 2117



- Division 1 UL
- Switch guard
- Anti-roll tube
- Unbreakable lens
- Crush resistant case
- Oversized, faceted reflector

Item #	Description	Std Pkg
147-2117	2D-Cell Flashlight	24 ea

Worksafe Flashlight - 2124



- Division 1 UL
- Switch guard
- Anti-roll tube
- Unbreakable lens
- Crush resistant case
- Oversized, faceted reflector

Item #	Description	Std Pkg
147-2124	3D-Cell Flashlight	12 ea

2224 Worksafe Flashlight



- Waterproof
- Anti-roll tube
- Division 1 UL & CUL approved
- Three-way switch: On-Off-Flash
- Oversized, faceted reflector

Item #	Description	Std Pkg
147-2224	Safety Flashlight 3D Cell	24 ea

2206 Worksafe Safety Lantern



- Optional stand
- Glove size handle
- Waterproof & floating
- Spare bulb compartments
- Division 1 UL & CUL approved

Item #	Description	Std Pkg
147-2206	Safety Lantern 6V	6 ea

Heavy Duty Industrial Flashlight



- Unbreakable Lens
- Crush-resistant reinforced case
- Lens ring accepts snap-in wand
- Distortion free, vacuum metalized reflector

Item #	Description	Std Pkg
147-2618HD	2D Heavy Duty Industrial Flashlight	24 ea



B-Series Pump & S-Series Pump

**B-Series
FT. MTD. Pump**



**S-Series
FT. MTD. Pump**



B-Series pumps are for a variety of recirculating, mixing, and transfer applications. Typical pumped liquids include solvents, resins, and petroleum products. These pumps are well suited for light, medium, and intermittent service.

Design: Drive speeds to 900 rpm; discharge pressure to 200 psi; flow rate to 26.8 gpm; foot or flange mounted; with or without integral relief value.

Material: Cast iron castings w/precision machined, heat treated gears and case hardened shafts.

Bearings: Replaceable iron sleeve bearings. Also available with carbon graphite or bronze bearings.

Seal: Compression packing w/adjustable gland

S-Series pumps are designed to operate at standard motor speeds and are suitable for pumping oils, inert chemicals, petroleum and various others liquids in transfer, circulation, lubrication, and liquid pressurization.

Design: Drive speeds to 1800 rpm; discharge pressure to 200 psi; flow rate to 32.0 gpm; foot or flange mounted; with or without integral relief value.

Material: Cast iron castings w/precision machined, heat treated gears and case hardened shafts.

Bearings: Replaceable iron sleeve bearings. Also available with carbon graphite or bronze bearings.

Seal: Mechanical seal

B Series (Spur Gears)

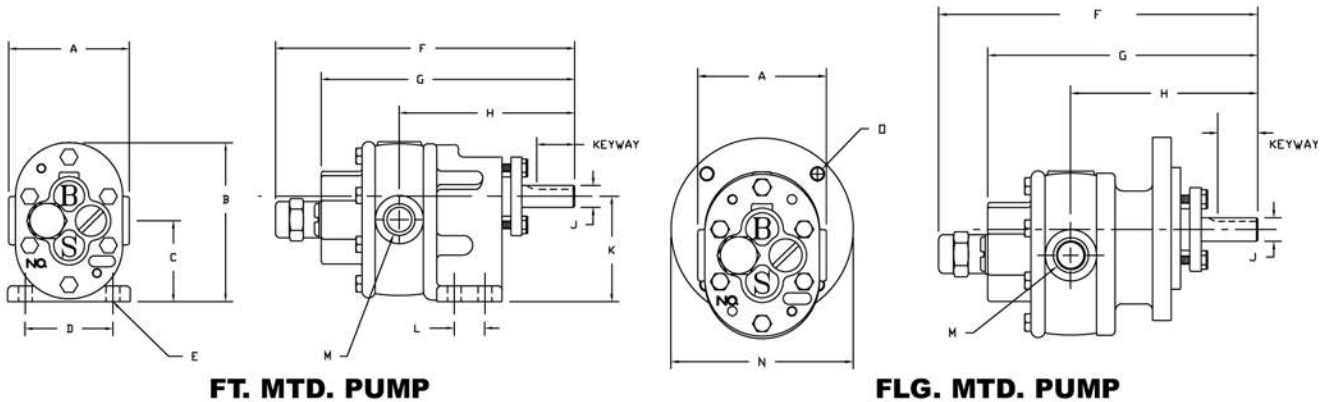
Model No.	Part No.	Description
1	001-713-1-1	Ft Mtd WORV
1	001-713-1-4	Ft Mtd WGF WORV
1	001-713-1-7	Ft Mtd WRV
2	001-713-2-1	Ft Mtd WORV
2	001-713-2-4	Ft Mtd WGF WORV
2	001-713-2-7	Ft Mtd WRV
2	001-713-2-9	Ft Mtd WGF WRV
3	001-713-3-1	Ft Mtd WORV
3	001-713-3-4	Ft Mtd WGF WORV
3	001-713-3-7	Ft Mtd WRV
3	001-713-3-9	Ft Mtd WGF WRV
4	001-713-4-1*	Ft Mtd WORV
4	001-713-4-7*	Ft Mtd WRV
1	001-713-901-1	Flg Mtd WORV
1	001-713-901-7	Flg Mtd WRV
2	001-713-902-1	Flg Mtd WORV
2	001-713-902-7	Flg Mtd WRV
3	001-713-903-1	Flg Mtd WORV
3	001-713-903-7	Flg Mtd WRV
4	001-713-904-1*	Flg Mtd WORV
4	001-713-904-7*	Flg Mtd WRV

S Series (Helical Gears)

Model No.	Part No.	Description
0	001-713-00-2	Flg Mtd CW WORV
1S	001-713-10-2	Ft Mtd CW WORV
1S	001-713-10-7	Ft Mtd CW WRV
2S	001-713-20-2	Ft Mtd CW WORV
2S	001-713-20-7	Ft Mtd CW WRV
3S	001-713-30-2	Ft Mtd CW WORV
3S	001-713-30-7	Ft Mtd CW WRV
4S	001-713-40-7	Ft Mtd CW WRV
5S	001-713-50-2	Ft Mtd CW WORV
5S	001-713-50-7	Ft Mtd CW WRV
6S	001-713-60-2	Ft Mtd CW WORV
2S	001-713-920-2	Flg Mtd CW WORV
2S	001-713-920-7	Flg Mtd CW WRV
3S	001-713-930-2	Flg Mtd CW WORV
3S	001-713-930-7	Flg Mtd CW WRV
4S	001-713-940-2	Flg Mtd CW WORV
4S	001-713-940-7	Flg Mtd CW WRV
5S	001-713-950-2	Flg Mtd CW WORV

For CCW rotation change digit in third field of part no. to 3 (WORV) or 8 (WRV).

Dimensional Data B-Series



DIMENSIONS (INCHES)

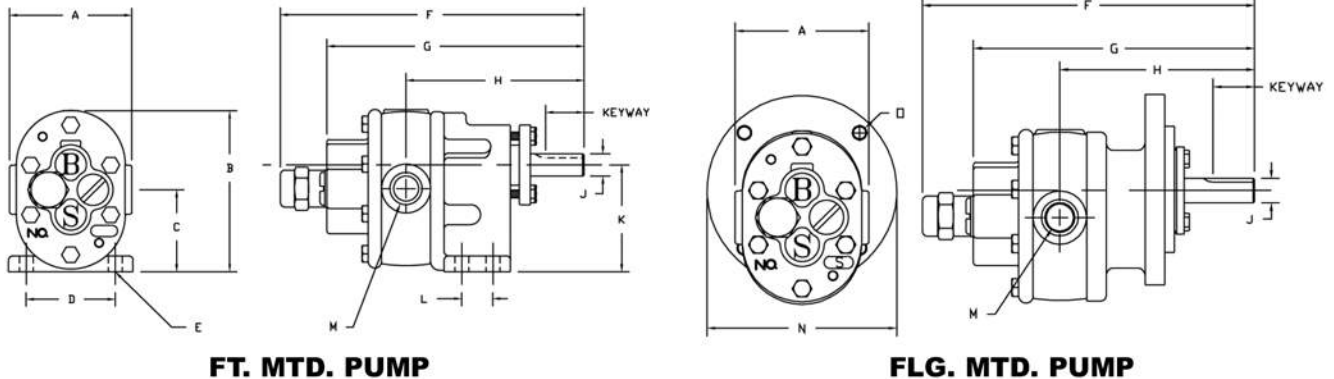
Model	A	B	C	D	E	F	G	H	J	K	L	M	O	Keyway
1	3.00	3.69	1.78	2.00	0.39	7.50	6.25	4.56	0.56	2.38	0.75	3/8	3/8-16	1/8 x 1/16
2	3.44	4.53	2.31	2.50	0.39	8.47	7.22	5.00	0.63	3.00	0.88	1/2	3/8-16	3/16 x 3/32
3	4.44	5.72	2.88	3.00	0.45	10.50	8.88	6.19	0.75	3.88	1.25	3/4	3/8-16	3/16 x 3/32
4	4.44	5.81	2.88	3.00	0.45	11.50	9.88	6.69	0.75	3.88	1.25	1-1/4	3/8-16	3/16 x 3/32

OPERATING CHARACTERISTICS

Model	Displmnt gals. per rev.	Slip gpm/psi	Drive Speed rpm	0 psi		50 psi		75 psi		100 psi		200 psi	
				gpm	hp	gpm	hp	gpm	hp	gpm	hp	gpm	hp
1	.00515	.0022	300	1.5	.02	1.4	.10	1.38	.14	1.3	.18	1.1	.34
			600	3.1	.05	3.0	.20	2.93	.28	2.9	.36	2.7	.66
			900	4.6	.11	4.5	.33	4.47	.35	4.4	.54	4.2	.98
2	.01043	.0023	300	3.1	.04	3.0	.19	2.95	.26	2.9	.34	2.7	.64
			600	6.3	.07	6.1	.34	6.1	.47	6.0	.61	5.8	1.1
			900	9.4	.11	9.3	.48	9.2	.66	9.1	.85	8.9	1.5
3	.01896	.0025	300	5.7	.05	5.6	.28	5.5	.41	5.4	.54	5.2	1.1
			600	11.4	.06	11.3	.47	11.2	.71	11.1	.97	10.9	2.1
			900	17.1	.17	17.0	.83	16.8	1.2	16.8	1.5	16.5	3.2
4	.02980	.0080	300	8.9	.07	8.5	.37	8.3	.57	8.1	.80	—	—
			600	17.9	.22	17.5	.77	17.3	1.1	17.1	1.4	—	—
			900	26.8	.50	26.4	1.3	26.2	1.7	26.0	2.3	—	—

* Delivery and input horsepower are based on liquid viscosity of 300 ssu at speed and pressures shown.

Dimensional Data S-Series



DIMENSIONS (INCHES)

Model	A	B	C	D	E	F	G	H	J	K	L	M	N	O	Keyway
1S	3.00	3.69	1.78	2.00	0.39	7.50	6.25	4.56	0.56	2.38	0.75	3/8	4-7/8	3/6-16	1/8 x 1/16
2S	3.44	4.53	2.31	2.50	0.39	8.47	7.22	5.00	0.68	3.00	0.88	1/2	4-7/8	3/8-16	3/16 x 3/32
3S	4.44	5.72	2.88	3.00	0.45	10.50	8.88	6.19	0.75	3.88	1.25	3/4	4-7/8	3/8-16	3/16 x 3/32
4S	4.44	5.91	2.88	3.00	0.45	10.50	8.88	6.19	0.75	3.88	1.25	1	4-7/8	3/8-16	3/16 x 3/32
5S	5.00	5.97	2.88	3.00	0.45	10.50	8.88	6.69	0.75	3.88	1.25	1-1/4	4-7/8	3/8-16	3/16 x 3/32

OPERATING CHARACTERISTICS

Model	Displmnt gals. per rev.	Slip gpm/psi	Drive Speed rpm	0 psi		50 psi		75 psi		100 psi		200 psi	
				gpm	hp	gpm	hp	gpm	hp	gpm	hp	gpm	hp
1S	.00262	.0024	600	1.6	.03	1.5	.08	1.4	.11	1.3	.15	1.1	.33
			860	2.3	.04	2.1	.13	2.07	.18	2.0	.23	1.8	.49
			1140	3.0	.06	2.9	.17	2.8	.23	2.7	.30	2.5	.63
			1725	4.5	.14	4.4	.29	4.3	.36	4.28	.48	4.0	.95
2S	.00521	.0035	600	3.1	.05	3.0	.15	2.9	.24	2.8	.31	2.4	.65
			860	4.5	.08	4.3	.22	4.2	.34	4.1	.45	3.8	.93
			1140	5.9	.13	5.8	.31	5.7	.41	5.6	.51	5.2	1.0
			1725	9.0	.44	8.8	.64	8.7	.78	8.6	.94	8.3	1.6
3S	.00947	.0026	600	5.7	.08	5.6	.34	5.5	.47	5.4	.60	5.2	1.1
			860	8.1	.25	8.0	.54	7.9	.68	7.8	.83	7.6	1.5
			1140	10.8	.38	10.7	.77	10.6	.97	10.5	1.1	10.2	2.0
			1725	16.2	.92	16.1	1.4	16.0	1.7	15.9	2.0	15.7	3.1
4S	.0135	.009	600	8.1	.30	7.9	.50	7.8	.60	7.7	.80	7.4	1.2
			860	11.6	.40	11.3	.70	11.2	.90	11.1	1.1	10.7	1.8
			1140	15.3	.50	15.0	.90	14.8	1.20	14.7	1.45	14.2	2.3
			1725	23.2	.80	22.7	1.40	22.5	1.80	22.3	2.2	21.4	3.5
5S	.0186	.02	600	11.1	.45	10.8	.55	10.6	.75	10.4	.95	9.7	1.6
			860	15.9	.65	15.5	.80	15.2	1.0	15.0	1.3	14.0	2.3
			1140	21.1	.80	20.5	1.1	20.2	1.4	19.8	1.8	18.5	3.1
			1725	32.0	1.30	31.0	1.6	30.5	2.1	30.0	2.7	28.0	4.7

* Delivery and input horsepower are based on liquid viscosity of 300 ssu at speed and pressures shown.



Heavy Duty S-Series



FT. MTD. PUMP

The Heavy Duty S-Series pumps are designed to handle a wide variety of liquids and are particularly suitable for bulk transfer applications where long life and dependable service is required. The pumps are easy to install and maintain and are available in different materials to meet specific requirements.

Design: Drive speeds to 1140 rpm; discharge pressures to 300 psi; flow rate to 175.0 gpm; foot mounted. Bronze or Ductile iron thrust plates.

Material: Cast Iron casings with precision machined, heat treated gears and case hardened shafts. Pumps are also available in Ductile Iron.

Bearings: Anti-friction. Also available with iron or carbon graphite sleeve bearings.

Seal: Mechanical seal. Also available with packed seal.

Lubrication: Self lubricating using the pumped liquid. Also available for handling non-lubricating liquids.

Rotation: Clockwise or counter-clockwise rotation. A reversible back drain permits direction of rotation to be easily changed in the field.

Liquid Viscosities: 100 ssu to 100,000 ssu. Clean liquids having good lubricating qualities. Adaptable for handling liquids of higher or lower viscosities.

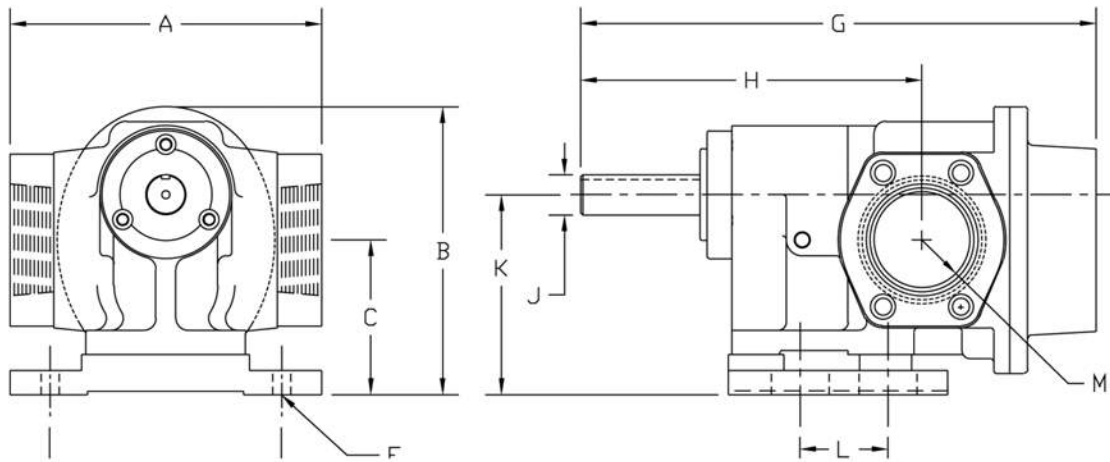
Suction Lift: 28 Hg / 31 feet depending on the type of liquid being pumped.

Drive Options: D-Drive (pump coupled to motor mounted on baseplate); GR-Drive (pump coupled to gear reducer coupled to motor mounted on baseplate); B-Drive (pump and motor connected by V-belt and pulleys mounted on baseplate).

Accessories: Repair Kits; Gear Sets; and Seal Kits.

Model No.	Part No.	Description
6S	001-713-60-2	BSM pump Ft Mtd CW WORV Helical Gears
8S	001-713-80-2	BSM pump Ft Mtd CW WORV Helical Gears
10S	001-713-100-2	BSM pump Ft Mtd CW WORV Helical Gears
12S	001-713-120-2	BSM pump Ft Mtd CW WORV Helical Gears
14S	001-713-140-2	BSM pump Ft Mtd CW WORV Helical Gears

Dimensional Data Heavy Duty S-Series



FT. MTD. PUMP

DIMENSIONS (INCHES)

Model	A	B	C	D	G	H	J	K	M	Keyway
6S	8.00	6.25	2.91	5.25	13.88	9.56	1	4.25	2"	1/4 x 1/8
8S	9.75	9.00	4.58	7.25	16.13	10.63	1 1/4	6.25	3"	1/4 x 1/8
10S	9.75	9.00	4.58	7.25	16.13	10.63	1 1/4	6.25	3"	1/4 x 1/8
12S	12.125	11.56	6.06	10.00	18.50	11.94	1 1/2	8.00	4"	3/8 x 3/16
14S	12.125	11.56	6.06	10.00	18.50	11.94	1 1/2	8.00	4"	3/8 x 3/16

OPERATING CHARACTERISTICS

Model	Displmnt gals. per rev.	Slip gpm/spi	Drive Speed rpm	0 psi		50 psi		75 psi		100 psi		200 psi		300 psi	
				gpm	hp	gpm	hp	gpm	hp	gpm	hp	gpm	hp	gpm	hp
6S	0.0361	0.008	600	21.7	.6	21.5	1.3	21.4	1.6	21.3	1.9	20.8	3.2	20.4	4.5
			860	31.1	.8	30.8	1.8	30.6	2.3	30.5	2.7	29.8	4.6	29.2	6.5
			1140	41.2	1.1	40.8	2.4	40.6	3.0	40.4	3.6	39.5	6.1	38.7	8.6
8S	0.056	0.013	600	33.6	.9	33.3	1.9	33.2	2.5	32.9	2.9	32.3	4.9	31.6	7.0
			860	48.2	1.3	47.8	2.8	47.5	3.5	47.2	4.2	46.2	7.1	45.3	10.0
			1140	63.9	1.7	63.3	3.7	63.0	4.7	62.6	5.6	61.3	9.4	60.0	13.3
10S	0.079	0.018	600	47.7	1.3	47.2	2.7	47.0	3.5	46.7	4.2	45.8	7.1	44.8	9.9
			860	68.3	1.8	67.7	3.9	67.4	5.0	67.0	6.0	65.6	10.1	64.3	14.3
			1140	90.6	2.4	89.7	5.2	89.3	6.6	88.8	7.9	87.0	13.4	85.2	18.9
12S	0.113	0.026	600	67.8	1.8	67.1	3.8	66.8	4.9	66.4	5.9	65.1	10.1	63.7	14.1
			860	97.2	2.6	96.2	5.5	95.7	7.0	95.2	8.4	93.2	14.4	91.3	20.2
			1140	128.8	3.4	127.5	7.3	126.9	9.3	126.2	11.2	123.6	19.1	121.0	26.8
14S	0.204	0.035	600	122.2	3.2	121.0	6.9	120.3	8.8	119.7	10.6	117.3	18.1	114.8	25.5
			860	175.1	4.6	173.4	9.9	172.5	12.6	171.6	15.2	168.1	25.9	164.6	36.5

* Delivery and input horsepower are based on liquid viscosity of 300 ssu.



53/55 Series



FT. MTD. PUMP

These pumps operate quietly at nominal motor speeds and discharge large volumes of liquid at medium pressures. Typical applications for these pumps are hydraulic power for positioning devices, lifts, machine actuation, liquid pressurization for fuel burners and blenders as well as general transfer in all industries.

Design: Drive speeds to 1725 rpm; discharge pressures to 200 psi; flow rate to 51.4 gpm; foot or flange mounted.

Material: Cast iron casings with precision machined, heat treated gears and case hardened shafts. Pumps are also available in Ductile Iron.

Bearings: Anti-friction.

Seal: Mechanical seal. Also available with packed seal.

Lubrication: Self lubricating using the pumped liquid.

Rotation: Clockwise or counter-clockwise rotation. Specify at time of order.

Liquid Viscosities: 100 ssu to 3,000 ssu. Clean liquids having good lubricating qualities. Adaptable for handling liquids of higher or lower viscosities.

Suction Lift: 28" Hg / 31 feet depending on the type of liquid being pumped.

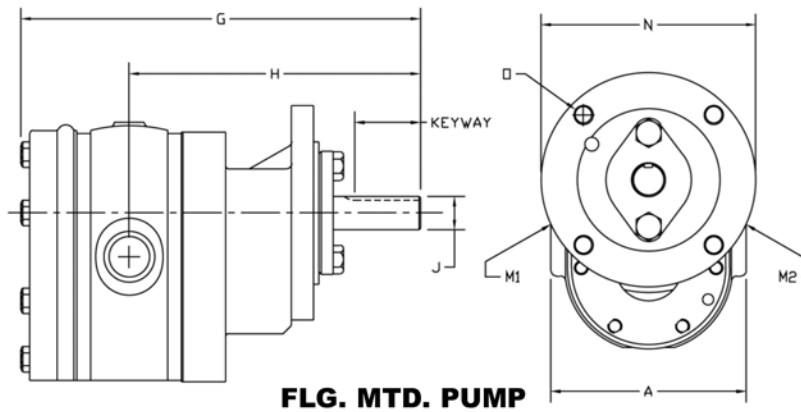
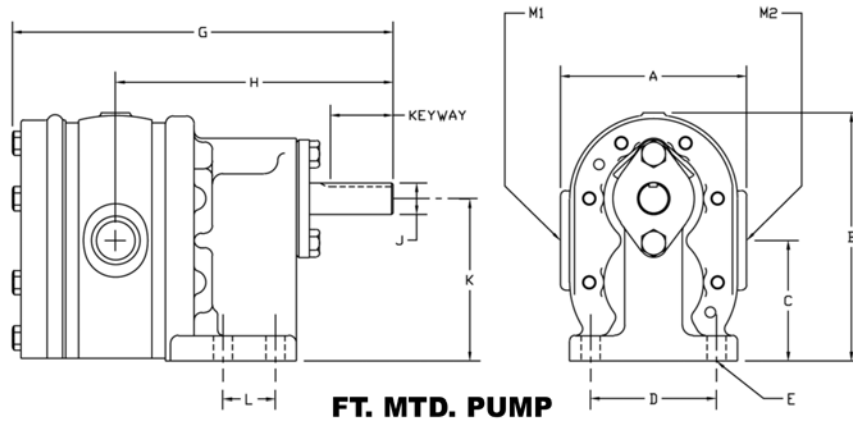
Drive Options: D-Drive (pump connected to C-Face motor with adapter bracket and coupling); D-Drive (pump coupled to motor mounted on baseplate); GR-Drive (pump coupled to gear reducer coupled to motor mounted on baseplate); B-Drive (pump and motor connected by V-belt and pulleys mounted on baseplate).

Accessories: Repair Kits; Gear Sets; and Bearing Kits; and Seal Kits.

Model No.	Part No.	Description
53	001-713-53-2	BSM pump Ft Mtd CW
53	001-713-53-2	BSM pump Ft Mtd CCW
55	001-713-55-2	BSM pump Ft Mtd CW
55	001-713-55-2	BSM pump Ft Mtd CCW
53	001-713-953-2	BSM pump Flg Mtd CW
55	001-713-955-2	BSM pump Flg Mtd CW



Dimensional Data 53/55 Series



DIMENSIONS (INCHES)

Model	A	B	C	D	E	G	H	J	K	L	M1	M2	N	O	Keyway
53	4.52	6.03	2.88	3.00	29/64	9.13	6.63	.75	3.88	1.25	1	3/4	4-7/8	3/6-16	3/16 x 3/32
55	5.00	6.03	2.88	3.00	29/64	10.13	7.13	.75	3.88	1.25	1 1/4	1.00	4-7/8	3/6-16	3/16 x 3/32

OPERATING CHARACTERISTICS

Model	Displmnt gals. per rev.	Slip gpm/psi	Drive Speed rpm	0 psi		50 psi		75 psi		100 psi		200 psi	
				gpm	hp	gpm	hp	gpm	hp	gpm	hp	gpm	hp
53	.01347	.0090	860	11.6	.2	11.1	.5	10.9	.7	10.7	.2	9.8	1.6
			1140	15.4	.3	14.9	.8	14.7	1.0	14.5	1.2	13.6	2.2
			1725	23.2	.8	22.7	1.4	22.5	1.8	22.3	2.1	21.4	3.5
55	.02984	.0200	860	25.6	.3	24.6	1.0	24.1	1.4	23.6	1.8	21.6	3.5
			1140	35.0	.5	34.0	1.5	33.5	2.0	33.0	2.6	31.0	4.7
			1725	51.4	1.3	50.4	2.6	49.9	3.4	49.4	4.2	47.4	7.5

* Delivery and input horsepower are based on liquid viscosity of 100 ssu.

500-SERIES



FLG. MTD. PUMP

PUMP FOOT

The BSM 500-Series pumps are designed to provide quiet and efficient service at standard motor speeds, moderately high pressures. Typical applications are supplying hydraulic power on machine tools and construction equipment, as well as oil field gathering line service, and deep hole drilling applications.

Design: Drive speeds to 1725 rpm; discharge pressures to 1000 psi; flow rate to 60.0 gpm; foot or flange mounted.

Material: Cast iron casings with precision machined, heat treated gears and case hardened shafts. Pumps are also available in Ductile Iron.

Bearings: Anti-friction needle bearings. Also available with carbon graphite or bronze bearings.

Seal: Mechanical seal. Also available with packed seal.

Lubrication: Self lubricating using the pumped liquid.

Rotation: Clockwise or counter-clockwise. A reversible back drain permits direction of rotation to be easily changed in the field.

Liquid Viscosities: 100 ssu to 1,000 ssu recommended. Clean liquids having good lubricating qualities. Adaptable for handling liquids of higher or lower viscosities.

Suction Lift: Up to 28" Hg / 31 feet depending on the type of liquid being pumped.

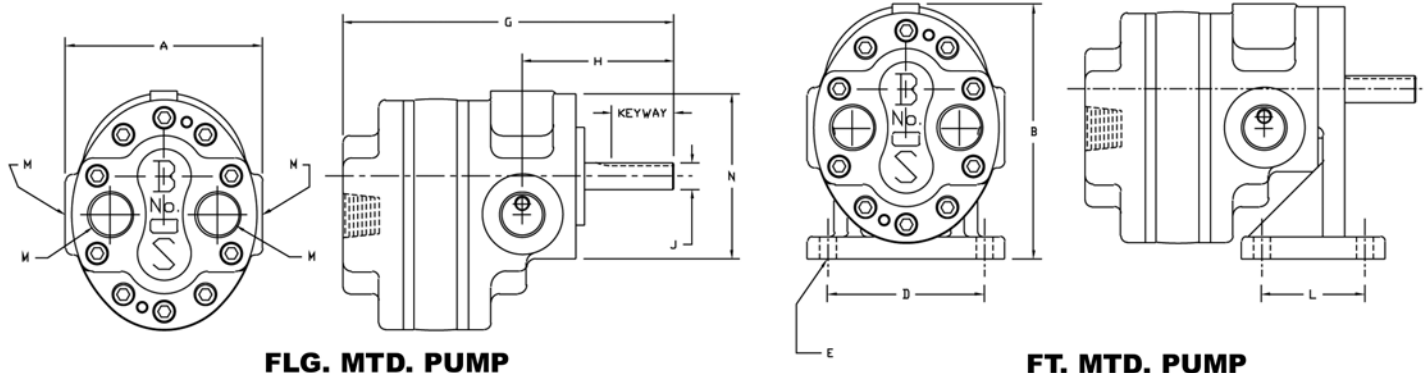
Drive Options: E-Drive (pump close coupled to motor); A-Drive (pump connected to C-Face motor with adapter bracket and coupling), D-Drive (pump coupled to motor mounted on baseplate); GR-Drive (pump coupled to gear reducer coupled to motor mounted on baseplate); B-Drive (pump and motor connected by V-belt and pulleys mounted on baseplate).

Accessories: Repair Kits; Gear Sets; Bearing Kit, and Seal Kits.

Model No.	Part No.	Description
507	001-713-507-2	BSM pump Flg Mtd CW Herringbone Gears
511	001-713-511-2	BSM pump Flg Mtd CW Herringbone Gears
517	001-713-517-2	BSM pump Flg Mtd CW Herringbone Gears
525	001-713-525-2	BSM pump Flg Mtd CW Herringbone Gears
537	001-713-537-2	BSM pump Flg Mtd CW Herringbone Gears
547	001-713-547-2	BSM pump Flg Mtd CW Herringbone Gears
557	001-713-557-2	BSM pump Flg Mtd CW Herringbone Gears
567	001-713-567-2	BSM pump Flg Mtd CW Herringbone Gears
Pump Model No.	Ordering Number	Description
No. 00	713-9000-34	Foot Mounting Bracket
Nos. 507, 508, 511, 512	713-9507-32	Foot Mounting Bracket
Nos. 517, 518, 525, 526	713-9517-33	Foot Mounting Bracket
Nos. 537, 538, 557, 558, 567	713-9537-35	Foot Mounting Bracket



Dimensional Data 500 Series



DIMENSIONS (INCHES)

Model	A	B	C	D	E	G	H	J	K	L	M	N	O	Keyway
507	4.00	5.19	3.19	3.00	.39	7.56	3.38	5/8	3.50	2.38	3/4	3.25	5/16-18	3/16 x 3/32
511	4.00	5.19	3.19	3.00	.39	8.06	3.38	5/8	3.50	2.38	3/4	3.25	5/16-18	3/16 x 3/32
517	5.50	7.13	3.66	4.38	.47	9.25	4.25	3/4	4.75	2.88	1	4.68	7/16-14	3/16 x 3/32
525	5.50	7.13	3.66	4.38	.47	9.75	4.25	3/4	4.75	2.88	1	4.68	7/16-14	3/16 x 3/32
537	6.25	8.00	4.38	5.00	.53	10.75	4.50	1.00	5.63	3.38	1-1/2	4.68	7/16-14	1/4 x 1/8
547	6.25	8.00	4.38	5.00	.53	11.25	4.50	1.00	5.63	3.38	1-1/2	4.68	7/16-14	1/4 x 1/8
557	6.25	8.00	4.38	5.00	.53	11.75	4.50	1.00	5.63	3.38	1-1/2	4.68	7/16-14	1/4 x 1/8
567	6.25	8.00	4.38	5.00	.53	13.25	4.50	1.00	5.63	3.38	2	4.68	7/16-14	1/4 x 1/8

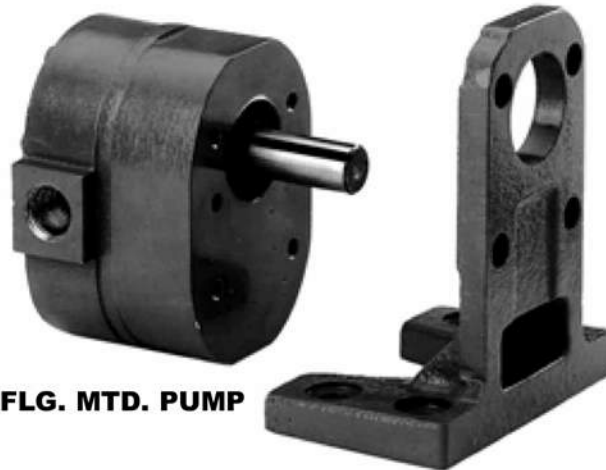
OPERATING CHARACTERISTICS

Model	Dive Speed rpm	0 psi		100 psi		200 psi		300 psi		400 psi		500 psi		1000 psi	
		gpm	hp	gpm	hp	gpm	hp	gpm	hp	gpm	hp	gpm	hp	gpm	hp
507	1140	5.0	.20	4.7	.50	4.4	.85	4.1	1.2	3.8	1.5	3.5	1.9	2.0	3.5
	1725	7.6	.40	7.3	.80	7.0	1.2	6.7	1.6	6.4	2.0	6.1	2.5	4.6	4.5
511	1140	7.5	.40	7.0	.80	6.7	1.2	6.3	1.6	5.9	2.0	5.5	2.5	3.5	4.6
	1725	11.1	.60	10.7	1.3	10.3	2.0	9.8	2.6	9.4	3.3	9.0	4.0	7.0	7.5
517	1140	12.0	.40	11.3	1.2	11.0	1.8	10.5	2.6	10.0	3.2	9.5	3.9	-	-
525	1140	17.0	.50	15.5	1.5	15.0	2.6	14.2	3.6	13.5	4.5	12.7	5.5	-	-
537	1140	24.5	.60	22.5	2.2	20.5	3.6	19.0	5.0	17.0	6.4	15.0	7.9	-	-
547	1140	31.1	.70	29.0	2.7	27.0	4.5	25.3	6.3	23.5	8.1	21.5	9.9	-	-
557	1140	37.5	.80	35.5	3.2	33.5	5.4	31.5	7.6	30.0	9.8	28.0	12.0	-	-
567	1140	57.9	1.20	56.0	4.9	54.0	8.3	52.1	11.7	50.2	15.1	48.3	18.5	-	-

* Delivery and input horsepower are based on liquid viscosity of 100 ssu at speed and pressures shown.



700-Series



FLG. MTD. PUMP

PUMP FOOT

The BSM 700-Series pumps are designed to provide quiet and efficient service at standard motor speeds, high pressures. Typical applications are hydraulic and metering service.

Design: Drive speeds to 1725 rpm; discharge pressures to 2000 psi; flow rate to 5.0 gpm; foot or flange mounted.

Material: Cast iron casings with precision machined, heat treated steel gears and case hardened steel shafts. Pumps are also available in Ductile Iron.

Bearings: Anti-friction needle bearings.

Seal: Lip seal.

Lubrication: Self lubricating using the pumped liquid.

Rotation: Clockwise or counter-clockwise. Specify at time of order.

Liquid Viscosities: 100 ssu to 1,000 ssu recommended. Clean liquids having good lubricating qualities.

Suction Lift: Up to 28" Hg / 31 feet depending on the type of liquid being pumped.

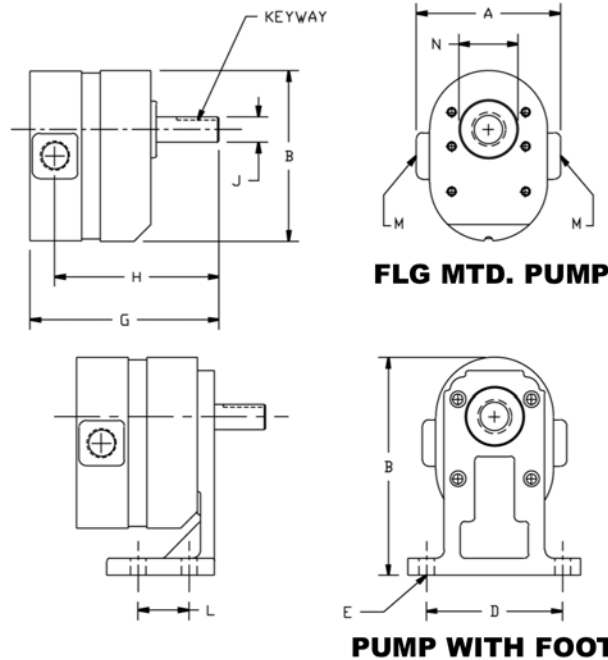
Drive Options: A-Drive (pump connected to C-Face motor with adapter bracket and coupling).

Accessories: Bearing Kit and Seal.

Model No.	Part No.	Description
705	001-713-705-2	BSM 700 series pump Flg Mtd CW Spur Gears
710	001-713-710-2	BSM 700 series pump Flg Mtd CW Spur Gears
715	001-713-715-2	BSM 700 series pump Flg Mtd CW Spur Gears
720	001-713-720-2	BSM 700 series pump Flg Mtd CW Spur Gears
730	001-713-730-2	BSM 700 series pump Flg Mtd CW Spur Gears
740	001-713-740-2	BSM 700 series pump Flg Mtd CW Spur Gears
750	001-713-750-2	BSM 700 series pump Flg Mtd CW Spur Gears
Pump Model No.	Ordering Number	Description
All 700 Series/PFGs	715-1-500-10	Foot Mounting Bracket



Dimensional Data 700-Series



DIMENSIONS (INCHES)

Model	A	B	D	E	G	H	J	L	M	N	Keyway
705	3.19	4.81	3.00	11/32	3.84	3.27	0.56	1.13	3/8 NPT	1.25	1/8 x 1/16 x 7/8
710	3.19	4.81	3.00	11/32	3.95	3.38	0.56	1.13	3/8 NPT	1.25	1/8 x 1/16 x 7/8
715	3.19	4.81	3.00	11/32	4.05	3.47	0.56	1.13	3/8 NPT	1.25	1/8 x 1/16 x 7/8
720	3.19	4.81	3.00	11/32	4.14	3.56	0.56	1.13	3/8 NPT	1.25	1/8 x 1/16 x 7/8
730	3.19	4.81	3.00	11/32	4.34	3.77	0.56	1.13	3/8 NPT	1.25	1/8 x 1/16 x 7/8
740	3.19	4.81	3.00	11/32	4.55	3.97	0.56	1.13	3/8 NPT	1.25	1/8 x 1/16 x 7/8
750	3.19	4.81	3.00	11/32	4.75	4.17	0.56	1.13	3/8 NPT	1.25	1/8 x 1/16 x 7/8

OPERATING CHARACTERISTICS

Model	Displ gpr	Slip gpm/psi	Drive Speed rpm	0 psi		500 psi		1000 psi		1500 psi		2000 psi	
				gpm	hp	gpm	hp	gpm	hp	gpm	hp	gpm	hp
705	.0003	.00013	1725	.50	.11	.43	.25	.37	.40	.31	.55	—	—
710	.0006	.0002	1725	1.00	.14	.90	.45	.80	.77	.70	1.12	.60	1.45
715	.0009	.0002	1725	1.50	.21	1.40	.65	1.30	1.30	1.20	1.68	1.10	2.20
720	.0012	.0002	1725	2.00	.25	1.90	.85	1.80	1.50	1.70	2.22	1.60	2.90
730	.0018	.0003	1725	3.00	.31	2.85	1.15	2.70	2.10	2.55	3.10	—	—
740	.0024	.0003	1725	4.00	.36	3.85	1.47	3.70	2.75	3.63	3.37	—	—
750	.0030	.0004	1725	5.00	.45	4.80	1.90	4.60	3.55	—	—	—	—

* Delivery and input horsepower are based on liquid viscosity of 100 ssu at speed and pressures shown.



Bronze Series



FT. MTD. PUMP

BSM bronze pumps are ideal for use where corrosion resistant materials are required such as providing circulation on water-jacketed engines, pumping saline solutions as well as a variety of marine and other corrosive atmosphere applications.

Design: Drive speeds to 900 rpm; discharge pressures to 100 psi; flow rate to 26.8 gpm; foot or flange mounted.

Material: All bronze construction except models 23 & 24 which are equipped with corrosion resistant stainless steel shafts.

Bearings: Plain.

Seal: Compression packing.

Lubrication: Pumps are equipped with grease fittings.

Rotation: Clockwise or counter-clockwise rotation. Either connection may be used for suction.

Liquid Viscosities: A wide range of clean or corrosive liquids.

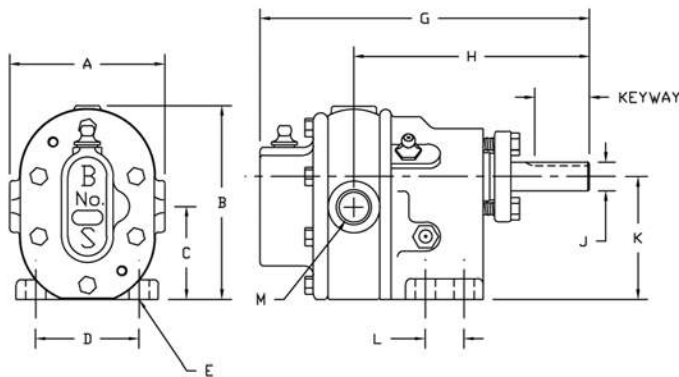
Suction Lift: Up to 15" Hg / 17 feet depending on the type of liquid being pumped.

Drive Options: A-Drive (pump connected to C-Face motor with adapter bracket and coupling); D-Drive (pump coupled to motor mounted on baseplate); GR-Drive (pump coupled to gear reducer coupled to motor mounted on baseplate); B-Drive (pump and motor connected by V-belt and pulleys mounted on baseplate).

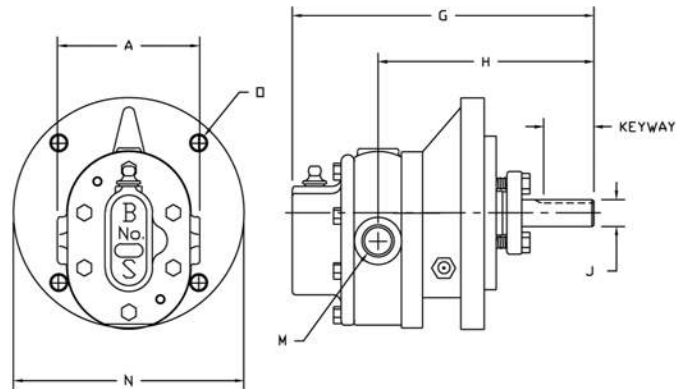
Accessories: Repair Kits; Gear Sets; and Packing.

Model No.	Part No.	Description
21	001-713-21-4	BSM Bronze Pump Ft Mtd WGF WORV
21	001-713-921-4	BSM Bronze Pump Flg Mtd WGF WORV
22	001-713-22-4	BSM Bronze Pump Ft Mtd WGF WORV
22	001-713-922-4	BSM Bronze Pump Flg Mtd WGF WORV
23	001-713-23-4	BSM Bronze Pump Ft Mtd WGF WORV
23	001-713-923-4	BSM Bronze Pump Flg Mtd WGF WORV
24	001-713-24-4	BSM Bronze Pump Ft Mtd WGF WORV
24	001-713-924-4	BSM Bronze Pump Flg Mtd WGF WORV

Dimensional Data Bronze Series



FT. MTD. PUMP



FLG. MTD. PUMP

DIMENSIONS (INCHES)

Model	A	B	C	D	E	F	G	H	J	K	L	M	O	Keyway
21	3.00	3.69	1.78	2.00	0.39	7.50	6.25	4.56	0.56	2.38	0.75	3/8	3/8-16	1/8 x 1/16
22	3.44	4.53	2.31	2.50	0.39	8.47	7.22	5.00	0.63	3.00	0.88	1/2	3/8-16	3/16 x 3/32
23	4.44	5.72	2.88	3.00	0.45	10.50	8.88	6.19	0.75	3.88	1.25	3/4	3/8-16	3/16 x 3/32
24	4.44	5.81	2.88	3.00	0.45	11.50	9.88	6.69	0.75	3.88	1.25	1-1/4	3/8-16	3/16 x 3/32

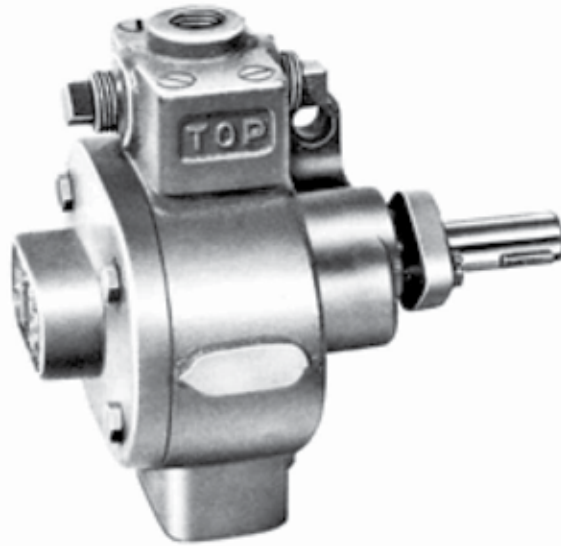
OPERATING CHARACTERISTICS

Model	Displ gpr	Slip gpm/psi	Drive Speed rpm	0 psi		50 psi		75 psi		100 psi		200 psi	
				gpm	hp	gpm	hp	gpm	hp	gpm	hp	gpm	hp
21	.00515	.0022	300	1.5	.02	1.4	.10	1.38	.14	1.3	.18	1.1	.34
			600	3.1	.05	3.0	.20	2.93	.28	2.9	.36	2.7	.66
			900	4.6	.11	4.5	.33	4.47	.35	4.4	.54	4.2	.98
22	.01043	.0023	300	3.1	.04	3.0	.19	2.95	.26	2.9	.34	2.7	.64
			600	6.3	.07	6.1	.34	6.1	.47	6.0	.61	5.8	1.1
			900	9.4	.11	9.3	.48	9.2	.66	9.1	.85	8.9	1.5
23	.01896	.0025	300	5.7	.05	5.6	.28	5.5	.41	5.4	.54	5.2	1.1
			600	11.4	.06	11.3	.47	11.2	.71	11.1	.97	10.9	2.1
			900	17.1	.17	17.0	.83	16.8	1.2	16.8	1.5	16.5	3.2
24	.02980	.0080	300	8.9	.07	8.5	.37	8.3	.57	8.1	.80	-	-
			600	17.9	.22	17.5	.77	17.3	1.1	17.1	1.4	-	-
			900	26.8	.50	26.4	1.3	26.2	1.7	26.0	2.3	-	-

* Delivery and input horsepower are based on liquid viscosity of 300 ssu at speed and pressures shown.



Models 11, 12, 13 Automatic Reversing Gear Pumps



FT. MTD. PUMP

BSM Automatic Reversing Gear Pumps are designed to maintain the same direction of delivery regardless of the direction of rotation of the driving shaft. These pumps are used on machine tools and other reversing mechanisms which require a constant flow of liquid.

Design: Drive speeds to 900 rpm; discharge pressures to 200 psi; flow rate to 17.1 gpm.

Material: Cast iron casings with precision machined, heat treated gears and case hardened shafts.

Bearings: Plain.

Seal: Compression packing with adjustable gland.

Lubrication: Self lubricating using the pumped liquid. Also available for handling non-lubricating liquids.

Rotation: Vertical foot type, right hand furnished. Left hand mounting optional. Reversible. Discharge is always from the top of the pump. Top valve cover may be transposed with the bottom for left or right hand mounting on foot.

Liquid Viscosities: Liquids having good lubricating qualities are recommended.

Suction Lift: Up to 15" Hg recommended. Consult the factory for higher suction lift recommendations.

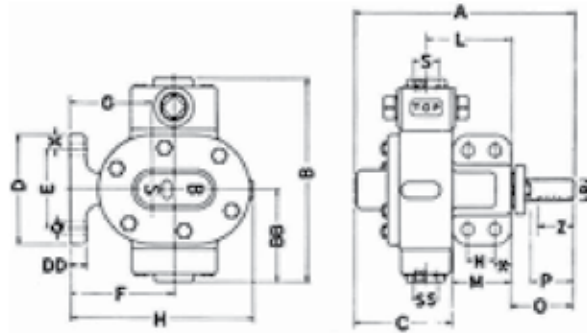
Drive Options: D-Drive (pump coupled to motor mounted on baseplate); GR-Drive (pump coupled to gear reducer coupled to motor mounted on baseplate); B-Drive (pump and motor connected by V-belt and pulleys mounted on baseplate).

Accessories: Gear Sets; Bearing Kit, and Packing Kits.

Model No.	Part No.	Description
11	001-713-11-2	BSM Automatic Reversing RH Rotary Gear Pump
12	001-713-12-2	BSM Automatic Reversing RH Rotary Gear Pump
13	001-713-13-2	BSM Automatic Reversing RH Rotary Gear Pump



Models 11, 12, 13 Dimensional Data



DIMENSIONS (INCHES)

Model	A	B	BB	C	D	DD	E	F	G*	H
11	6 3/16	5 1/2	2 5/16	2 5/8	2 3/4	1/2	2	2 23/32	2 1/8	5
12	7 1/16	6 7/16	2 15/16	3 1/8	3 1/2	1/2	2 1/2	3 1/16	2 5/8	5 7/18
13	8 15/16	8 1/16	3 1/2	4 1/2	4	3/4	3	4 1/4	3 1/4	7 7/16

L	M	N	O	P	Q	R	S NPT	SS NPT	X	Z	Keyway
2 1/4	1 1/2	3/4	2 1/16	1 3/8	25/44	9/16	3/8	3/8	3/8	1 1/16	1/8 x 1/16
2 3/4	1 7/8	7/8	2 1/16	1 1/4	25/44	5/8	1/2	1/2	1/2	1 1/16	3/16 x 3/32
3 1/4	2 1/4	1 1/4	2 3/16	1 11/32	29/44	3/4	3/4	1 1/4	1/2	1 1/16	3/16 x 3/32

*G is distance from bottom of stand to center of drive shaft; plus or minus .005".

OPERATING CHARACTERISTICS

Model	Displmnt gals per rev.	Slip gpm/psi	Drive Speed rpm	0 psi		50 psi		75 psi		100 psi		200 psi	
				gpm	hp	gpm	hp	gpm	hp	gpm	hp	gpm	hp
11	.00515	.0022	300	1.5	.02	1.4	.10	1.38	.14	1.3	.18	1.1	.34
			600	3.1	.05	3.0	.20	2.93	.28	2.9	.36	2.7	.66
			900	4.6	.11	4.5	.33	4.47	.35	4.4	.54	4.2	.98
12	.01043	.0023	300	3.1	.04	3.0	.19	2.95	.26	2.9	.34	2.7	.64
			600	6.3	.07	6.1	.34	6.1	.47	6.0	.61	5.8	1.1
			900	9.4	.11	9.3	.48	9.2	.66	9.1	.85	8.9	1.5
13	.01896	.0025	300	5.7	.05	5.6	.28	5.5	.41	5.4	.54	5.2	1.1
			600	11.4	.06	11.3	.47	11.2	.71	11.1	.97	10.9	2.1
			900	17.1	.17	17.0	.83	16.8	1.2	16.8	1.5	16.5	3.2

* Delivery and input horsepower are based on liquid viscosity of 300 ssu at speed and pressures shown.

* For operating characteristics at other viscosities and pressure, consult factory.

Abbreviations		
WGF = w/Grease Fittings	CW =Clockwise Rotation	Ft. Mtd. = Foot Mounted
WRV = w/Integral Relief Value	CCW = Counter Clockwise Rotation	Fig. Mtd. = Flange Mounted
WORV = w/o Integral Relief Valve		



ACCESSORIES

External Relief Valves		
Size	Part No.	Description
1/4"	001-713-9001-20	External Relief Valve
3/8"	001-713-9001-21	External Relief Valve
1/2"	001-713-9001-22	External Relief Valve
3/4"	001-713-9001-23	External Relief Valve
1"	001-713-9001-24	External Relief Valve

NOTE: The 1/4" to 3/4" relief valves are suitable for up to 100 psi.
The 1" relief valve is suitable up to 200 psi.

Strainers		
Part No.	Size (In.)	Pipe Connection
001-713-9001-11	4-5/8 x 3-1/8 x 1-7/8	3/8"
001-713-9001-12	6-1/8 x 3-5/8 x 2-3/8	1/2"
001-713-9001-13	7-1/8 x 4-5/8 x 3-1/8	3/4"

Pulleys	
Part No.	Description
001-213-1-119	Pulley for 9/16" Shaft
001-213-2-119	Pulley for 5/8" Shaft
001-213-3-119	Pulley for 3/4" Shaft

Compression Packing Kits - (4/Kit)	
Part No.	Pump Model No.
001-466-3161-4	1, 1S, 11, 21, 1SST
001-466-3162-4	2, 2S, 12, 22, 2SST
001-466-3163-4	3, 3S, 4S, 5S, 13, 23, 3SST, 4SST, 5SST

Renewable Bearings Sets - (4/Set)	
Part No.	Pump Model No.
001-713-9001-107	1, 11, 1S
001-713-9002-107	2, 12, 2S
001-713-9003-107-1	3, 4, 13, 3S, 4S, 5S
001-713-9507-107	507, 508, 511, 512

Mechanical Seal Kits	
Part No.	Pump Model No.
001-713-9010-270	1, 1S
001-713-9020-270	2, 2S
001-713-9030-270	3, 4, 3S, 4S, 5S
001-713-9507-270	502, 504, 507, 508, 511, 512
001-713-9517-270	517, 518, 525, 526
001-713-9537-270	537, 538, 547, 557, 558, 567

Adapter Brackets for Motor Driven Rotary Gear Pumps (A-Drive)

SELECTION GUIDE

Pump Model	C Face Motor Frame	Adapter Bracket
00	42C	713-00-160-1
	56C, 145TC	713-00-160
1, 2, 3, & 4	48C, 56C, 143TC, 145TC, 182C, 184C, 187AC	713-20-160
	182TC, 184TC, 213TC, 215TC	713-30-160
1S, 2S, 3S, 4S & 5S	48C, 56C, 143TC, 145TC, 182C, 184C, 187AC	713-20-160
	182TC, 184TC, 213TC, 215TC	713-30-160
1SST, 2SST, 3SST, 4SST & 4SST	48C, 56C, 143TC, 145TC, 182C, 184C, 187AC	713-20-160
	182TC, 184TC, 213TC, 215TC	713-30-160
21, 22, 23 & 24	48C, 56C, 143TC, 145TC, 182C, 184C, 187AC	713-20-160
	182TC, 184TC, 213TC, 215TC	713-30-160
53 & 55	48C, 56C, 143TC, 145TC, 182C, 184C, 187AC	713-20-160
	182TC, 184TC, 213TC, 215TC	713-30-160
502, 504, 507 & 511	56C, 143TC, 145TC,	713-507-160
	182TC, 184TC, 213TC 213TC, 215C, 215TC	713-511-160
517 & 525	56C, 66C, 143TC & 145TC	713-525-160
517, 525, 537, 547, 557 & 567	182TC, 184TC, 213TC, 215TC	713-517-160
705, 710, 715, 720, 730, 740 & 750	56C	713-700-160
	182TC, 184TC & 213TC	713-700-260

Gear Sets & Repair Kits

Pump Model Number	Gear Set Ordering Number	Repair Kit Ordering Number
00	713-9000-205	713-9000-280
1 & 11	713-9001-105	713-9001-280
2 & 12	713-9002-105	713-9002-280
3 & 13	713-9003-105	713-9003-280
4	713-9004-205	713-9004-280
1S	713-9010-205	713-9010-280
2S	713-9020-205	713-9020-280
3S	713-9030-205	713-9030-280
4S	713-9040-205	713-9040-280
5S	713-9050-205	713-9050-280
6S	713-9060-205	713-9060-280
8S	713-9080-205	713-9080-280
10S	713-9100-205	713-9100-280
12S	713-9120-205	713-9120-280
14S	713-9140-205	713-9140-280
21	713-9021-405	713-9021-280
22	713-9022-405	713-9022-280
23	713-9023-405	713-9023-280
24	713-9024-405	713-9024-280
53	713-9053-205	713-9053-280
55	713-9055-205	713-9055-280
507	713-9507-305	713-9507-280
511	713-9511-305	713-9511-280
517	713-9517-305	713-9517-280
525	713-9525-305	713-9525-280
537	713-9537-305	713-9537-280
547	713-9547-305	713-9547-280
557	713-9557-305	713-9557-280
567	713-9567-305	713-9567-280
1SST	713-9010-205-SS	713-9010-280-SS
2SST	713-9020-205-SS	713-9020-280-SS
3SST	713-9030-205-SS	713-9030-280-SS
4SST	713-9040-205-SS	713-9040-280-SS
5SST	713-9050-205-SS	713-9050-280-SS

Note: Each repair kit consists of the following components (1) housing; (1) gear set; (4) bearings; and (1) mechanical seal or (1) set of compression packing.

Renewable Bearings

Pump Model Number	Bearing Ordering Number
1, 11, & 1S	713-9001-107 (set of 4)
2, 21, & 2S	713-9002-107 (set of 4)
3, 4, 13, 3S, 4S, & 5S	713-9003-107 (set of 4)
53, & 55	423-1646 (3) 423-1647 (1)
6S	423-11 (4)
8S, & 10S	423-9 (4)
12S, & 14S	423-10 (4)
507, 508, 511, & 512	713-9507-107 (set of 4)
517, 518, 525, & 526	713-9517-107 (set of 4)
537, 538, 547, 557, 558, & 567	713-9537-107 (set of 4)
700 Series	422-39 (4)
1SST	213-1-108 (4)
2SST	213-2-108 (4)
3SST, 4SST, & 5SST	213-2-108 (4)

Mechanical Seals

Pump Model Number	Mechanical Seal Ordering Number
1, & 1S	713-9010-270
2, & 2S	713-9020-270
3, 4, 3S, 4S, & 5S	713-9030-270
6S	466-137-2
8S, 10S	466-292
12S, 14S	466-143-2
502, 504, 507, 508, 511, & 512	713-9507-270
517, 518, 525, & 526	713-9517-270
537, 538, 547, 557, 558, & 567	713-9537-270
1SST	713-9010-270SST
2SST	713-9020-270SST
3SST, 4SST, 5SST	713-9030-270SST

Note: Mechanical seals available with different elastomers, contact the factory for assistance.

Lip Seals

Pump Model Number	Lip Seal Ordering Number
00	466-3948
700 series and PFG series	466-279 (Buna N)
700 series and PFG series	215-10118 (Viton)

Note: Lip Seals are available with different elastomers, contact the factory for assistance.

Compression Packing

Pump Model Number	Packing Kit Ordering Number
1, 1S, 11, 21, & 1SST	466-3161-4
	466-192 (Teflon)
2, 2S, 12, 22, & 2SST	466-3162-4
	466-193 (Teflon)
3, 3S, 4S, 5S, 13, 23, 24, 3SST, 4SST, 5SST	466-3163-4
	466-194 (Teflon)



Fire Extinguisher



- Color-coded gauges
- Polyester powder coating
- Industrial grade steel & aluminum cylinders
- Anodized metal & brass valve assemblies

Item #	Description	Std Pkg
215-10914	5 lb ABC Fire Extinguisher w/Wall Bracket	1 ea
215-11340	10 lb ABC Tall Fire Extinguisher w/Wall Bracket	1 ea
215-12120	20 lb ABC Fire Extinguisher w/Wall Bracket	1 ea
215-12905	30 lb ABC Fire Extinguisher w/Wall Bracket	1 ea
215-13315	2.5 lb ABC Fire Extinguisher w/Vehicle Bracket	1 ea
215-25614	5 lb ABC Fire Extinguisher w/Vehicle Bracket	1 ea

Wall Bracket



- Powder-coated steel construction
- Wall mount for 2.5 lb fire extinguisher
- Fire extinguishers sold separately

Item #	Description	Std Pkg
215-700287	A-2-6 Wall Bracket for 2.5 lb Fire Extinguisher	1 ea

Wall Bracket



- Powder-coated steel construction
- Wall mount for 5 lb fire extinguisher
- Fire extinguishers sold separately

Item #	Description	Std Pkg
215-700260	B-6 Wall Bracket for 5 lb Fire Extinguisher	1 ea

Wall Bracket



- Powder-coated steel construction
- Wall mount for 5 lb fire extinguisher
- Fire extinguishers sold separately

Item #	Description	Std Pkg
215-700270	A-6 Wall Bracket for 5 lb Fire Extinguisher	1 ea

Wall Bracket



- Powder-coated steel construction
- Wall mount for 10 lb fire extinguisher
- Fire extinguishers sold separately

Item #	Description	Std Pkg
215-700430	B-12 Wall Bracket for 10 lb Fire Extinguisher	1 ea

Vehicle Bracket



- Powder-coated steel construction
- Vehicle mount for 5, 5.5, 10, 15, 20 lb fire extinguishers
- Fire extinguishers sold separately

Item #	Description	Std Pkg
215-700224	#5DC Vehicle bracket 5 & 5.5lb Fire Extinguisher	1 ea
215-700226	809 Vehicle Bracket for 10 lb Tall Fire Extinguisher	1 ea
215-700228	810 Vehicle Bracket for 10-15 lb Fire Extinguisher	1 ea
215-700229	811 Vehicle Bracket for 20 lb Fire Extinguisher	1 ea
215-700230	812 Vehicle Bracket for 10 lb Fire Extinguisher	1 ea



Aluminum Hand Pump - 2 Speed



- Two speed operation
- Internal pressure relief valve
- External load release valve
- High strength lightweight aluminum alloy
- Max working pressure: 10,000 PSI

Item #	Description	Std Pkg
123-P1000	Hand Pump 2 Speed 61" Reservoir (P-392/202)	1 ea

Treadle Pump



- Max working pressure: 10,000 PSI
- Pressure relief valve for overload protection
- Suggested air pressure range: 110-175 PSI
- Turbo function that features high flow at high pressure condition

Item #	Description	Std Pkg
123-PA2000	Air Hydraulic Foot Pump 122" Reservoir	1 ea

Gauge Fitting - CF3814



- 1/4" NPTF Gauge Port
- 3/8"-18 NPTF Oil Port
- Total Length: 5.12"
- Rated Pressure: 10,000 PSI

Item #	Description	Std Pkg
123-CF3814	1/4" Gauge Fitting	1 ea

High-Flow Coupler Set



- Dust Cover Included
- 3/8"-18NPTF High Flow Coupler
- Max. Working Pressure 10,000 PSI

Item #	Description	Std Pkg
123-CH38	3/8" NPTF High Flow Coupler	1 ea

6 Hose



- Max working pressure: 10,000 PSI
- Full compliance under SAE 100 standard
- Should not be handled when under pressure

Item #	Description	Std Pkg
123-CS3814	1/4" Hose w/ 3/8" End Fitting 6' Length	1 ea



Chop Saw Wheel - General Purpose



- General Purpose
- Double Reinforced Wheel
- Aluminum Oxide – Metal & Steel
- 4,400 RPM

Item #	Description	Std Pkg
155-35576	14"x3/32"x1" A36-P Double Chop Saw Wheel	10 ea

Chop Saw Wheel - Angle Iron/Heavy Bars



- High performance cutting
- Use on all ferrous metal applications
- Zirconia Aluminium Oxide
- 4,400 RPM

Item #	Description	Std Pkg
155-36125	14"x3/32"x1" ZA24-S-BF Double Chop Saw Wheel	10 ea

Fast Cut Chop Saw Wheel



- Double reinforced
- General Purpose – Fast Cut
- Metal, steel and general applications
- Aluminium Oxide
- 4,400 RPM

Item #	Description	Std Pkg
155-36234	14"x7/64"x1" Fast Cut Chop Saw Blade	10 ea

Circular Saw Cut-Off Wheel



- Extra thin wheel for faster cutting
- Aluminium Oxide
- For Metal & Steel
- 8,600 RPM

Item #	Description	Std Pkg
155-37573	7"x.045"x5/8" A60-SBF Cut-Off Wheel	25 ea

A24R Cutting/Notching Wheel



- R-grade bond
- Fast cutting and long life
- Works on steel, cast iron and welds
- Aluminium Oxide
- 13,300 RPM

Item #	Description	Std Pkg
155-35613	4-1/2"x1/8"x5/8-11 T27 Cutting/Notching Wheel	10 ea

ZA24T Cutting/Notching Wheel



- High performance design for fast cutting and longer life
- For cutting ferrous metals and stainless steels
- Zirconia aluminum oxide

Item #	Description	Std Pkg
155-35615	4-1/2"x1/8"x5/8-11 T27 Cutting/Notching Wheel	10 ea
155-45215	7"x1/8"x5/8-11 T27 Cutting/Notching Wheel	10 ea

Fast Cut A24T Pipeline Wheel



- Aluminum oxide fast cut
- For cutting and light grinding
- For working on flat surfaces
- Use on ferrous metals

Item #	Description	Std Pkg
155-36230	7"x1/8"x5/8-11 T27 Pipeline Wheel	10 ea
155-36248	9"x1/8"x7/8 T27 Pipeline Wheel	25 ea
155-59101	4-1/2"x1/8"x5/8-11 T27 Pipeline Wheel	10 ea

Fast Cut A24N Grinding Wheel



- Fast Cut Wheel
- Aluminium Oxide
- Soft N-grade bond for fast stock removal
- Use on metal and low-grade stainless steel

Item #	Description	Std Pkg
155-35622	4-1/2"x1/4"x7/8" T27 Grinding Wheel	25 ea
155-35623	4-1/2"x1/4"x5/8-11 T27 Grinding Wheel	10 ea
155-35643	7"x1/4"x5/8-11 T27 Grinding Wheel	10 ea

Fast Cut A24R Grinding Wheel



- Fast cut wheel
- Aluminium oxide
- Premium grain
- For fast metal grinding
- 13,300 RPM

Item #	Description	Std Pkg
155-36256	4-1/2"x1/4"x5/8-11 T27 Grinding Wheel	10 ea

Ultra A24R Grinding Wheel



- Ultra wheels give consistent grinding action
- R-grade bond for longer life
- For metal & stainless steel
- Aluminum oxide

Item #	Description	Std Pkg
155-35620	4-1/2"x1/4"x7/8" T27 Metal Grinding Wheel	25 ea
155-35621	4-1/2"x1/4"x5/8-11 T27 Metal Grinding Wheel	10 ea
155-35641	7"x1/4"x5/8-11 T27 Metal Grinding Wheel	10 ea



Quickie-Cut ZA36-T-Rigid Cut-Off Wheel



- Rigid wheel design for fast cutting and longer life
- Zirconia Aluminium Oxide
- Use on ferrous metals
- 10,200 RPM

Item #	Description	Std Pkg
155-35514	4-1/2"x.045"x7/8" T1 Cut-Off Wheel	25 ea
155-35517	6"x.045"x7/8" T1 Cut-Off Wheel	25 ea

Quickie-Cut ZA60-S Cut-Off Wheel



- General purpose wheel
- Zirconia Aluminium Oxide
- Zirconia grain allows for faster cutting and longer life
- For ferrous metals

Item #	Description	Std Pkg
155-45002	4-1/2"x.045"x7/8" T27 Cut-Off Wheel	25 ea
155-45007	6"x.045"x7/8" T27 Cut-Off Wheel	25 ea

Quickie-Cut ZA60-TB-Flex Cut-Off Wheel



- Flexible wheel design for fast cutting and easy work penetration
- Zirconia Aluminium Oxide
- For ferrous metals

Item #	Description	Std Pkg
155-45010	4-1/2"x.035"x7/8" T1 Cut-Off Wheel	25 ea
155-45012	6"x.045"x7/8" T1 Cut-Off Wheel	25 ea

Bench Grinding Wheel



- General purpose grinding wheels
- Used for grinding and sharpening
- Straight vitrified wheel
- Brown aluminium oxide

Item #	Description	Std Pkg
155-38006	6"x3/4"x1" Bench Grinding Wheel	1 ea
155-38008	6"x3/4"x1" Bench Grinding Wheel	1 ea
155-38010	6"x3/4"x1" Bench Grinding Wheel	1 ea
155-38011	6"x1"x1" Bench Grinding Wheel	1 ea
155-38013	6"x1"x1" Bench Grinding Wheel	1 ea
155-38015	6"x1"x1" Bench Grinding Wheel	1 ea
155-38021	8"x1"x1" Bench Grinding Wheel	1 ea
155-38023	8"x1"x1" Bench Grinding Wheel	1 ea
155-38025	8"x1"x1" Bench Grinding Wheel	1 ea
155-38031	10"x1.5"x1.25" Bench Grinding Wheel	1 ea
155-38033	10"x1.5"x1.25" Bench Grinding Wheel	1 ea
155-38035	10"x1.5"x1.25" Bench Grinding Wheel	1 ea

Premium Z3 Flap Discs



- Special optimized resin bond offers maximum cutting capacity, strong edge stability and long life
- Active grinding agent
- Zirconia

Item #	Description	Std Pkg
155-42301	4-1/2"x7/8" 36 Grit T27 Z3 Reg Flap Disc	10 ea
155-42302	4-1/2"x7/8" 40 Grit T27 Z3 Reg Flap Disc	10 ea
155-42304	4-1/2"x7/8" 60 Grit T27 Z3 Reg Flap Disc	10 ea
155-42312	4-1/2"x5/8-11 40 Grit T27 Z3 Reg Flap Disc	10 ea
155-42314	4-1/2"x5/8-11 60 Grit T27 Z3 Reg Flap Disc	10 ea
155-42315	4-1/2"x5/8-11 80 Grit T27 Z3 Reg Flap Disc	10 ea
155-42316	4-1/2"x5/8-11 120 Grit T27 Z3 Reg Flap Disc	10 ea
155-42322	4-1/2"x7/8" 40 Grit T29 Z3 Reg Flap Disc	10 ea
155-42324	4-1/2"x7/8" 60 Grit T29 Z3 Reg Flap Disc	10 ea
155-42332	4-1/2"x5/8-11 40 Grit T29 Z3 Reg Flap Disc	10 ea
155-42334	4-1/2"x5/8-11 60 Grit T29 Z3 Reg Flap Disc	10 ea
155-42335	4-1/2"x5/8-11 80 Grit T29 Z3 Reg Flap Disc	10 ea
155-42342	4-1/2"x7/8" 40 Grit T29 Z3 XL Flap Disc	10 ea
155-42344	4-1/2"x7/8" 60 Grit T27 Z3 XL Flap Disc	10 ea
155-42715	7"x5/8-11 80 Grit T27 Z3 Reg Flap Disc	10 ea
155-42732	7"x5/8-11 40 Grit T29 Z3 Reg Flap Disc	10 ea
155-42734	7"x5/8-11 60 Grit T29 Z3 Reg Flap Disc	10 ea

AO-Firm Flap Wheels: 1/4" Shank



- Provides consistent cutting action, maximum performance & long life
- Aluminum Oxide

Item #	Description	Std Pkg
155-37099	3/4"x3/4"x1/4" 80 Grit A/O Flap Wheel	10 ea
155-39908	1"x1"x1/4" 60 Grit A/O Flap Wheel	10 ea
155-39909	1"x1"x1/4" 80 Grit A/O Flap Wheel	10 ea
155-39931	2"x1"x1/4" 40 Grit A/O Flap Wheel	10 ea
155-39932	2"x1"x1/4" 60 Grit A/O Flap Wheel	10 ea
155-39933	2"x1"x1/4" 80 Grit A/O Flap Wheel	10 ea
155-39934	2"x1"x1/4" 120 Grit A/O Flap Wheel	10 ea
155-39948	3"x1"x1/4" 60 Grit A/O Flap Wheel	10 ea

AO-Firm Flap Wheels: 1/4"-20 Shank



- Provides consistent cutting action, maximum performance & long life
- Aluminum Oxide

Item #	Description	Std Pkg
155-39989	2"x1"x1/4-20 60 Grit A/O Flap Wheel	10 ea
155-41005	3"x1"x1/4-20 60 Grit A/O Flap Wheel	10 ea

Crimped Wire Wheel Brush



- Can be used horizontally or vertically.
- Suitable for deburring, rust removal, surface finishing.

Item #	Description	Std Pkg
155-60195	7" Radial Crimped Wire Wide Face Wheel	1 ea



Plug - Type 18



- 16 Grit
- Type 18
- Aluminum Oxide Grain

Item #	Description	Std Pkg
155-49030	1-1/2"x2-1/2"x3/8-24 A16R Plug	10 ea
155-49031	1-1/2"x2-1/2"x5/8-11 A16R Plug	10 ea
155-49032	1-1/2"x3"x3/8-24 A16R Plug	10 ea
155-49033	1-1/2"x2-1/2"x5/8-11 A16R Plug	10 ea
155-49035	2"x3"x5/8-11 A16R Plug	10 ea

Surface Conditioning Disc



- Automated spin-weld attachment process
- For stainless steel, ferrous and non-ferrous metals
- Roll-on type

Item #	Description	Std Pkg
155-59503	2" Course Quik Change Disc - Brown	50 ea
155-59504	2" Medium Quik Change Disc - Maroon	50 ea

Premium Hand Pad



- All purpose
- Strong, flexible premium pad
- For removal of rust & surface prep

Item #	Description	Std Pkg
155-36287	6" x 9" Maroon Premium Hand Pad	20 ea

Premium A/O Shop Roll - 1" x 50 yd



- Premium shop/bench roll
- Flexible for longer working life
- High quality friable grain
- Aluminum oxide
- For work cleaning, deburring and polishing

Item #	Description	Std Pkg
155-63064	1" x 50 yd 100 Grit A/O Shop Roll	1 ea
155-63065	1" x 50 yd 120 Grit A/O Shop Roll	1 ea
155-63066	1" x 50 yd 150 Grit A/O Shop Roll	1 ea
155-63067	1" x 50 yd 180 Grit A/O Shop Roll	1 ea
155-63068	1" x 50 yd 220 Grit A/O Shop Roll	1 ea
155-63069	1" x 50 yd 240 Grit A/O Shop Roll	1 ea
155-63070	1" x 50 yd 320 Grit A/O Shop Roll	1 ea
155-63071	1" x 50 yd 400 Grit A/O Shop Roll	1 ea

Premium A/O Shop Roll - 1-1/2" x 50 yd



- Premium shop/bench roll
- Flexible for longer working life
- High quality friable grain
- Aluminum oxide
- For work cleaning, deburring and polishing

Item #	Description	Std Pkg
155-63072	1-1/2" x 50 yd 60 Grit A/O Shop Roll	1 ea
155-63073	1-1/2" x 50 yd 80 Grit A/O Shop Roll	1 ea
155-63074	1-1/2" x 50 yd 100 Grit A/O Shop Roll	1 ea
155-63075	1-1/2" x 50 yd 120 Grit A/O Shop Roll	1 ea
155-63076	1-1/2" x 50 yd 150 Grit A/O Shop Roll	1 ea
155-63077	1-1/2" x 50 yd 180 Grit A/O Shop Roll	1 ea
155-63078	1-1/2" x 50 yd 220 Grit A/O Shop Roll	1 ea
155-63080	1-1/2" x 50 yd 320 Grit A/O Shop Roll	1 ea
155-63081	1-1/2" x 50 yd 400 Grit A/O Shop Roll	1 ea

Premium A/O Shop Roll - 2" x 50 yd



- Premium shop/bench roll
- Flexible for longer working life
- High quality friable grain
- Aluminum oxide
- For work cleaning, deburring and polishing

Item #	Description	Std Pkg
155-63082	2" x 50 yd 60 Grit A/O Shop Roll	1 ea
155-63083	2" x 50 yd 80 Grit A/O Shop Roll	1 ea
155-63084	2" x 50 yd 100 Grit A/O Shop Roll	1 ea
155-63085	2" x 50 yd 120 Grit A/O Shop Roll	1 ea
155-63086	2" x 50 yd 150 Grit A/O Shop Roll	1 ea
155-63087	2" x 50 yd 180 Grit A/O Shop Roll	1 ea
155-63088	2" x 50 yd 220 Grit A/O Shop Roll	1 ea
155-63089	2" x 50 yd 240 Grit A/O Shop Roll	1 ea
155-63090	2" x 50 yd 320 Grit A/O Shop Roll	1 ea



Caution Barricade Tape



- Yellow/Black
- Roll width: 3"
- Thickness: 2.0 mil
- Roll Length: 300' or 1,000'

Item #	Description	Std Pkg
066-3X1000	2 mil 3" x 1000' Caution Tape	12 ea
066-3X300	2 mil 3" x 300' Caution Tape	16 ea

Danger Barricade Tape



- Red/Black
- Roll width: 3"
- Thickness: 2.0 mil
- Roll Length: 1,000'

Item #	Description	Std Pkg
066-3X1000-DANGER	2 mil 3" x 1000' Danger Barricade Tape	12 ea



Manual Curved Jaw Locking Plier



- Meets all ASME product specifications
- Constructed for quality, strength, and durability
- Limited Lifetime warranty

Item #	Description	Std Pkg
134-70550	5" Manual Curved Jaw Locking Plier	6 ea
134-70750	7" Manual Curved Jaw Locking Plier	6 ea
134-71050	10" Manual Curved Jaw Locking Plier	6 ea

Manual Straight Jaw Locking Plier



- Meets all ASME product specifications
- Constructed for quality, strength, and durability
- Limited Lifetime warranty

Item #	Description	Std Pkg
134-70700	7" Manual Straight Jaw Locking Plier	6 ea
134-71000	10" Manual Straight Jaw Locking Plier	6 ea

Manual Needle Nose Locking Plier



- 2" jaw opening
- 2" throat depth
- 3/8" jaw width
- Meets all ASME product specifications
- Constructed for quality, strength, and durability

Item #	Description	Std Pkg
134-70650	6" Manual Needle Nose Locking Plier	6 ea

Manual Long-Nose Locking Plier



- 2 3/4" jaw opening
- 2 1/2" throat depth
- 3/8" jaw width
- Meets all ASME product specifications
- Constructed for quality, strength, and durability

Item #	Description	Std Pkg
134-70950	9" Manual Long-Nose Locking Plier	6 ea

Locking Chain Plier



- 20" locking chain clamp
- 5" max pipe size
- Meets all ASME product specifications
- Constructed for quality, strength, and durability
- Limited Lifetime warranty

Item #	Description	Std Pkg
134-72000	20" Locking Chain Plier 20R	5 ea

Manual Locking Sheet Metal Clamps



- 1 1/2" jaw opening
- 1 3/4" throat depth
- 3" jaw width
- Meets all ASME product specifications
- Constructed for quality, strength, and durability

Item #	Description	Std Pkg
134-70800	8" Manual Locking Sheet Metal Clamp	6 ea

Manual Locking Welding Clamps



- 2" jaw opening
- 2 1/2" throat depth
- 2 3/4" jaw width
- Meets all ASME product specifications

Item #	Description	Std Pkg
134-70900	9" Manual Locking Welding Clamp	6 ea

Manual Locking C-Clamps



- Meets all ASME product specifications
- Constructed for quality, strength, and durability
- Limited Lifetime warranty

Item #	Description	Std Pkg
134-70600	6" Manual Locking C-Clamp	6 ea
134-71100	11" Manual Locking C-Clamp	6 ea
134-71800	18" Manual Locking C-Clamp	1 ea

Manual Locking C-Clamp w/ Swivel Pads



- Meets all ASME product specifications
- Constructed for quality, strength, and durability
- Limited Lifetime warranty

Item #	Description	Std Pkg
134-70620	6" Manual Locking C-Clamp w/Swivel Pads	6 ea
134-71120	11" Manual Locking C-Clamp w/Swivel Pads	6 ea
134-71825	18" Manual Locking C-Clamp w/Swivel Pads	1 ea

Brass Locking Number Stencils



Each set contains 15 pieces as follows:

- 1 2 3 4 5 6 7 8 9 0 0
- **Other:** 1-Beginner, 1-Plain Ender, 1-Dash, 1-Period

Item #	Description	Std Pkg
134-10008	15 pc 1" Numbers Only Brass Stencil	1 set
134-10009	15 pc 1-1/2" Numbers Only Brass Stencil	1 set
134-10011	15 pc 2" Numbers Only Brass Stencil	1 set
134-10013	15 pc 3" Numbers Only Brass Stencil	1 set
134-10014	15 pc 4" Numbers Only Brass Stencil	1 set



Brass Locking Letter Stencils - 33 pc



Each set contains 33 pieces as follows:

- All letters (26 pieces A-Z)
- **Other:** 1-Beginner, 1-Period Ender, 1-Comma, 1-Dash, 1-Period, 1-Apostrophe, 1-&

Item #	Description	Std Pkg
134-10033	33 pc 3" Letters Only Brass Stencil	1 set
134-10034	33 pc 4" Letters Only Brass Stencil	1 set

Brass Locking Letter & Number Stencils - 45 pc



Each set contains 45 pieces as follows:

- All letters (26 pieces A-Z)
- 1 2 3 4 5 6 7 8 9 0 0
- **Other:** 1-Beginner, 1-Plain Ender, 1-Period Ender, 2-Spacers, 1-Comma, 1-Dash, 1-Period

Item #	Description	Std Pkg
134-10071	45 pc 2" Letter & Numbers Brass Stencil	1 set
134-10073	45 pc 3" Letters & Numbers Brass Stencil	1 set

Brass Locking Letter & Number Stencils - 92 pc



Each set contains 92 pieces as follows:

- All letters AAA BB CC DD EEEE GG HH III JJ KK LL MM NNN OOO PP Q RR SSS TT UU VV WW XX YY ZZ
- 111 22 33 44 55 66 77 88 99 000
- **Other:** 1-Beginner, 1-Plain Ender, 3-Spacers, 1-Period Ender, 1-Comma, 1-Dash, 2-Period, 2-&

Item #	Description	Std Pkg
134-10148	92 pc 1" Letters & Numbers Brass Stencil	1 set
134-10151	92 pc 2" Letter and Numbers Stencil Set	1 set
134-10153	92 pc 3" Letters & Numbers Brass Stencil	1 set
134-10154	92 pc 4" Letters & Numbers Brass Stencil	1 set

Standard Duty Steel Letter Stamps - 27 pc



- **Contains 27 pieces:** A-Z plus &
- High quality general purpose use
- Textured shank for easy grip
- Durable plastic storage container
- Hand-held, hammer-struck applications

Item #	Description	Std Pkg
134-20300	27 pc 1/4" Letter Standard Duty Steel Stamp	1 set
134-20350	27 pc 3/8" Letter Standard Duty Steel Stamp	1 set
134-20400	27 pc 1/2" Letter Standard Duty Steel Stamp	1 set

Standard Duty Steel Number Stamps - 9 pc



- **Contains 9 pieces:** (0-9)
- High quality general purpose use
- Textured shank for easy grip
- Durable plastic storage container
- Hand-held, hammer-struck applications

Item #	Description	Std Pkg
134-20581	9 pc 1/4" STD Duty Number Steel Stamp	1 set
134-20601	9 pc 3/8" Number Standard Duty Steel Stamp	1 set
134-20621	9 pc 1/2" Number Standard Duty Steel Stamp	1 set

Standard Duty Steel Letter & Number Stamps - 36 pc



- **Contains 36 pieces:** A-Z plus &, (0-9)
- High quality general purpose use
- Textured shank for easy grip
- Sturdy steel index box
- Hand-held, hammer-struck applications

Item #	Description	Std Pkg
134-20624	36 pc 1/8" STD Duty Letter & Number Steel Stamp	1 set
134-20626	36 pc 1/4" STD Duty Letter & Number Steel Stamp	1 set
134-20627	36 pc 3/8" STD Duty Letter & Number Steel Stamp	1 set

Premier Duty Letter Steel Stamps - 27 pc



- **Contains 27 pieces:** A-Z plus &
- Large tempered shanks
- Textured shank for easy grip
- Durable plastic storage container
- Hand-held, hammer-struck applications

Item #	Description	Std Pkg
134-22350	27 pc 1/4" Premier Duty Letter Steel Stamp	1 set

Premier Duty Number Steel Stamps - 9 pc



- **Contains 9 pieces:** (0-9)
- Large tempered shanks
- Textured shank for easy grip
- Durable plastic storage container
- Hand-held, hammer-struck applications

Item #	Description	Std Pkg
134-22941	9 pc 1/4" Premier Duty Number Steel Stamp	1 set

Globe Mechanical Seals



- Self-locking, permanent mechanical closure
- Prenumbered

Item #	Description	Std Pkg
134-2799GN	8-1/2" x 5/8" Globe Mechanical Seals	1 bdl



Premier Automatic Seals



- Self-locking, permanent mechanical closure
- Prenumbered

Item #	Description	Std Pkg
134-2799PN	8-3/4" x 5/16" Premier Automatic Seals	1 bdl

Steel Split Key Ring



- Made of Tempered Steel
- Perfect for Keys or Hanging any Tags

Item #	Description	Std Pkg
134-40084	1.5" Split Key Rings	1 bag
134-40085	2" I.D. Steel Split Key Ring (100 min)	1 bag



Industrial Spark Plugs



- Increased engine efficiency
- Enhanced bar shaped spark surface
- Durability under high compression and aggressive environments

Item #	Description	Std Pkg
171-120	N5C .020 Gap Industrial Spark Plug	6 ea
171-1224	RL85G Industrial Spark Plug	8 ea
171-123	RN5C .020 Gap Industrial Spark Plug	8 ea
171-1230	FB-M18	4 ea
171-220	FI21501 Extended J Gap Industrial Spark Plug	4 ea
171-237	RB77CC	4 ea
171-302	N11YC .035 Gap Industrial Spark Plug	6 ea
171-502	D21 .027 Gap Industrial Spark Plug	8 ea
171-510	Plug W10 .025 Gap Industrial Spark Plug	6 ea
171-514	D14 .025 Gap Industrial Spark Plug	6 ea
171-516	D16 .025 Gap Industrial Spark Plug	8 ea
171-518	W18 .025 Gap Industrial Spark Plug	8 ea
171-519	RM77N .015 Gap Industrial Spark Plug	8 ea
171-520	W20 .025 Gap Industrial Spark Plug	8 ea
171-523	D23 .030 Gap Industrial Spark Plug	8 ea
171-535	RL15B .015 Gap Industrial Spark Plug	8 ea
171-543	D89D .025 Gap Industrial Spark Plug	8 ea
171-555	UD16 .025 Gap Industrial Spark Plug	6 ea
171-562	W95D .040 Gap Industrial Spark Plug	8 ea
171-589	W89D .025 Gap Industrial Spark Plug	8 ea
171-71	RC12YC J Gap Industrial Spark Plug	8 ea

Small Engine Plugs



- Dependable performance and durability
- Superior corrosion resistance
- Resists fouling

Item #	Description	Std Pkg
171-809C	RA6HC .024 Gap Industrial Spark Plug	8 ea
171-811	L82C .015 Gap Industrial Spark Plug	8 ea
171-841	J8C .035 Gap Industrial Spark Plug	8 ea



911CB Cable Cutter Pliers



- Cable Cutter cuts up to 4/0 aluminum and 2/0 copper.
- It is not intended for steel or ACSR use.
- With Code Blue® handles for durability and comfort.

Item #	Description	Std Pkg
053-911CB	9-1/2" Code Blue Cable Cutter	5 ea

337 Diagonal Cutting Plier



- High leverage lap joint diagonal
- Laser heat-treated cutting edges last longer
- Channellock blue grips for comfort
- Made in the USA

Item #	Description	Std Pkg
053-337	7" Diagonal Plier	5 ea

338 Diagonal Cutting Plier



- High Leverage Lap joint diagonal
- Laser heat-treated cutting edges last longer
- High-carbon C1080 steel
- Made in the USA

Item #	Description	Std Pkg
053-338	8" Lap Joint Cutting Plier	5 ea

436 Diagonal Cutting Plier



- Box joint diagonal
- Laser heat-treated cutting edges last longer
- High-carbon C1080 steel
- Made in the USA

Item #	Description	Std Pkg
053-436	6" Diagonal Cutting Plier	5 ea



437 Diagonal Cutting Plier



- Box joint diagonal
- Laser heat-treated cutting edges last longer
- High-carbon C1080 steel
- Made in the USA

Item #	Description	Std Pkg
053-437	7" Diagonal Cutting Plier	5 ea

447 Diagonal Cutting Plier



- Box joint diagonal
- Laser heat-treated cutting edges last longer
- High-carbon C1080 steel
- Made in the USA

Item #	Description	Std Pkg
053-447	7.75" Diagonal Cutting Plier	5 ea

449 Diagonal Cutting Plier



- Box joint diagonal
- Laser heat-treated cutting edges last longer
- High-carbon C1080 steel
- Made in the USA

Item #	Description	Std Pkg
053-449	9.5" Diagonal Cutting Plier	5 ea

356 End Cutter Plier



- End cutting plier
- Laser heat-treated cutting edges last longer
- High-carbon C1080 steel
- Made in the USA

Item #	Description	Std Pkg
053-356	6" End Cutter Plier	5 ea

358 End Cutter Plier



- End cutting plier
- Laser heat-treated cutting edges last longer
- High-carbon C1080 steel
- Made in the USA

Item #	Description	Std Pkg
053-358	8" End Cutter Plier	5 ea

Nipper Plier



- End Cutting Nipper Plier
- Heavy Duty Construction
- This Plier Is Ideal For Cutting Large Nails
- For Medium Hard And Copper Applications Only

Item #	Description	Std Pkg
053-148-14	14" Nipper Cutting Plier	5 ea

Ironwork Plier



- Laser heat-treated, knife and anvil cutting edges
- Made in the USA

Item #	Description	Std Pkg
053-350S	Bevel Nose Spring Plier	5 ea

368 Round Nose Plier



- Laser heat-treated, knife and anvil cutting edges
- Electro coated protective finish to prevent rusting
- Made in the USA

Item #	Description	Std Pkg
053-368	8-1/2" Linemans Round Nose Plier	5 ea

349 Round Nose Plier



- Wiremaster premium quality Linemen's plier
- CHANNELLOCK's knife and anvil cutting edge
- Laser heat-treated cutting edges last longer
- High-carbon C1080 steel
- Made in the USA

Item #	Description	Std Pkg
053-349	9" High Leverage Lineman Plier	5 ea

369 Round Nose Plier



- Unique jaw design accommodates many shapes
- Cuts piano wire, hard wire, medium hard wire, and soft wire
- Knife and anvil style cutting edge
- Made in USA

Item #	Description	Std Pkg
053-369	9" Linemans Code Blue Plier	5 ea



3610 Round Nose Linemens Plier



- High Carbon Steel
- Round Nose Design
- Easy cuts hard and soft wire
- XLT Xtreme Leverage Technology
- Laser heat-treated cutting edges last longer

Item #	Description	Std Pkg
053-3610	10.5" HI Lineman Pliers	5 ea

317 Standard Plier



- With Side Cutter
- Crosshatch pattern on jaws grips work tightly
- High-carbon C1080 steel
- Made in the USA

Item #	Description	Std Pkg
053-317	8" Long Nose Plier w/side Cutter	5 ea

318 Standard Plier



- Heavy Duty Long With Side Cutter
- Crosshatch pattern on jaws grips work tightly
- High-carbon C1080 steel
- Made in the USA

Item #	Description	Std Pkg
053-318	8-3/8" Heavy Duty Long Nose Plier w/Side Cutter	5 ea

326 Standard Plier



- Long With Side Cutter
- Crosshatch pattern on jaws grips work tightly
- High-carbon C1080 steel
- Made in the USA

Item #	Description	Std Pkg
053-326	6" Long Nose Plier w/Side Cutter	5 ea

Little Champ Long Nose Plier



- Engineered to operate in tight spaces
- Precision machined knife and anvil style cutting edges
- Allows easy one-hand operation
- Serrated Jaw for a firm grip

Item #	Description	Std Pkg
053-E47S	5" Long-nose Plier "Little Champ" W/side Cutter	5 ea



Long Reach Plier

- Engineered to operate in long reach, tight spaces
- Precision machined knife and anvil style cutting edges
- Allows easy one-hand operation
- Serrated Jaw for a firm grip

Item #	Description	Std Pkg
053-738	8" Needle Nose Long Reach Plier	5 ea

Side Cutting Plier



- Fine Side Cutter
- Crosshatch pattern on jaws grips work tightly
- PermaLock fastener eliminates nut and bolt failure
- High-carbon C1080 steel
- Made in the USA

Item #	Description	Std Pkg
053-537	7" Slip Joint Plier w/Side Cutter	5 ea

526 Standard Plier



- Wire cutting shear
- Serrated Jaw for a firm grip
- PermaLock fastener eliminates nut and bolt failure
- High-carbon C1080 steel
- Made in the USA

Item #	Description	Std Pkg
053-526	6" Slip Joint Plier Regular Shear	5 ea

528 Standard Plier



- Wire cutting shear
- Serrated Jaw for a firm grip
- PermaLock fastener eliminates nut and bolt failure
- High-carbon C1080 steel
- Made in the USA

Item #	Description	Std Pkg
053-528	8" Slip Joint Plier w/Wire Cutter	5 ea

Thin Nose Plier



- Wire cutting shear with thin nose
- Serrated Jaw for a firm grip
- PermaLock fastener eliminates nut and bolt failure
- High-carbon C1080 steel
- Made in the USA

Item #	Description	Std Pkg
053-516	6" Slip Joint Plier Straight Nose	5 ea



Little Champ Side Cutting Plier



- XLT Xtreme Leverage Technology requires considerably less force to cut and grab
- Spring loaded for ease of use
- High carbon steel
- Made in USA

Item #	Description	Std Pkg
053-E41S	4" Side Cutting Plier "Little Champ"	5 ea

Little Champ Slip Joint Plier



- Spring loaded for ease of use
- High carbon steel
- Channellock BLUE grips for comfort
- Made in USA

Item #	Description	Std Pkg
053-524	4.5" Slip Joint Plr "Little Champ" Pliers	5 ea

Slip Joint



- Thin nose design
- Precision made of fine polished, high carbon drop forged steel
- Patented PermaLock® fastener eliminates nut and bolt failures
- Wire cutting shear

Item #	Description	Std Pkg
053-546	6" Slip Joint Plier Shear	5 ea

Crimping Plier



- Crimping and cutting tool for insulated and non-insulated connectors and terminals
- Designed to facilitate efficient crimping of wires
- Sleek nose design gets into tight places

Item #	Description	Std Pkg
053-909	Crimping Plier	5 ea

Fence Plier



- All-purpose fencing tool
- Wire stretcher, splicer and two swivel-action cutters
- Staple starter and puller
- Jaw-mounted hammer

Item #	Description	Std Pkg
053-85	10-1/2" Fence Plier	5 ea

Retaining Ring Plier



- External: 1/8" to 1", Internal: 1/4" to 1" Includes tips: .023, .039, .047 straight and .039, .047, 90°
- Change from internal to external rings with a simple switch of the tab
- Includes 5 pairs of color coded interchangeable tips

Item #	Description	Std Pkg
053-926	926 6-1/4" Retaining Ring Plier	5 ea
053-927	927 8" Retaining Ring Plier	5 ea

360 Welders Plier



- Less force required to cut than traditional high leverage
- Groove Nose design for superior spatter removal
- Grips and draws out wire, Able to hammer, Spring loaded

Item #	Description	Std Pkg
053-360	9" Welders 8-in-1 Welders Plier	5 ea

GL6 Grip Lock Plier



- Jaw design accommodates many shapes
- Ergonomically designed offset head for greater leverage
- Right angle, laser heat-treated teeth
- Made in the USA

Item #	Description	Std Pkg
053-GL6	6" Grip Lock Plier	5 ea

GL10 Grip Lock Plier



- Special jaw design accommodates many shapes.
- Ergonomically designed offset head for greater leverage
- Right angle, laser heat-treated teeth
- High-carbon C1080 steel
- Made in the USA

Item #	Description	Std Pkg
053-GL10	10" Grip Lock Plier	5 ea
053-GL12	12" Grip Lock Plier	5 ea

9.5" Griplock Plier



- Code Blue grips
- High carbon steel
- Heat-treated teeth
- Griplock jaw design

Item #	Description	Std Pkg
053-GL10CB	9.5" Griplock Plier Code Blue	5 ea



410 Nutbuster Plier



- Self Gripping Parrot Nose design ideal for round surfaces
- Right angle, laser heat-treated teeth
- PermaLock fastener eliminates nut and bolt failure

Item #	Description	Std Pkg
053-410	9.5 T&G Nut Buster Plier	5 ea

414 Nutbuster Plier



- Self Gripping Parrot Nose design ideal for round surfaces
- Right angle, laser heat-treated teeth
- PermaLock fastener eliminates nut and bolt failure

Item #	Description	Std Pkg
053-414	13.5 T&G Nut Buster Plier	5 ea

215 Oil Filter Plier



- Accommodates most car, truck and heavy equipment filters
- Fits PVC, Conduit, and Fittings
- PermaLock fastener eliminates nut and bolt failure

Item #	Description	Std Pkg
053-215	15" Oil Filter/PVC Plier	5 ea

420 Straight Jaw Plier



- Right angle, laser heat-treated teeth grip better and last longer
- Undercut tongue and groove design won't slip
- PermaLock fastener eliminates nut and bolt failure
- Patented reinforcing edge minimizes stress breakage

Item #	Description	Std Pkg
053-420	9-1/2" Tongue & Groove Plier	5 ea

424 Straight Jaw Plier



- Jaw capacity 0.50"
- Weight 0.12 lbs
- 3 adjustments

Item #	Description	Std Pkg
053-424	4-1/2" Tongue & Groove Plier	5 ea

426 Straight Jaw Plier



- Jaw capacity 0.87"
- Weight 0.37 lbs
- 5 adjustments

Item #	Description	Std Pkg
053-426	6-1/2" Tongue & Groove Plier	5 ea

428 Straight Jaw Plier



- SAFE-T-STOP® prevents finger pinch
- Reinforced rib prevents gripped handles from contacting each other
- 1.50" jaw capacity

Item #	Description	Std Pkg
053-428	8" Tongue & Groove Plier	5 ea

430 Straight Jaw Plier



- Jaw capacity 2.00"
- Weight 1.18 lbs
- 7 adjustments

Item #	Description	Std Pkg
053-430	10" Tongue & Groove Plier	5 ea

440 Straight Jaw Plier



- Jaw capacity 2.25"
- Weight 1.64 lbs
- 7 adjustments

Item #	Description	Std Pkg
053-440	12" Tongue & Groove Plier	5 ea

460 Straight Jaw Plier



- Jaw capacity 4.25"
- Weight 3.14 lbs
- 8 adjustments

Item #	Description	Std Pkg
053-460	16" Tongue and Groove Plier	2 ea

CHANNEL LOCK

480 Straight Jaw Plier



- Jaw capacity 5.5"
- Weight 3.81 lbs
- 12 adjustments

Item #	Description	Std Pkg
053-480	BigAzz 20-1/4" Tongue and Groove Plier	2 ea

V-Jaw Plier



- V Jaw design creates a stronger bite and more control on round stock and tubing.

Item #	Description	Std Pkg
053-422	9-1/2" Curve Jaw Tongue & Groove Plier	5 ea
053-432	10" V-Jaw Tongue and Groove Plier	5 ea
053-442	12" Curve Jaw Tongue & Groove Plier	5 ea

2 pc Tongue and Groove Plier Set



- Set includes :
- 426 – 6.5" tongue and groove plier
- 420 – 9.5" tongue and groove plier

Item #	Description	Std Pkg
053-GS-1	2pc Tongue and Groove Plier Set	5 set

3 pc Tongue and Groove Plier Set



- Set includes :
- 426 – 6.5" tongue and groove plier
- 420 – 9.5" tongue and groove plier
- 440 – 12" tongue and groove plier
- 61CB – 6" 1 screwdriver

Item #	Description	Std Pkg
053-GS-3	3pc Tongue and Groove Plier Set	5 set

4 pc Tongue and Groove Plier Set



- Pro's Choice foam tray set includes :
- 424 – 4.5" tongue and groove plier
- 426 – 6.5" tongue and groove plier
- 440 – 12" tongue and groove plier
- 460 - 16.5" tongue and groove plier

Item #	Description	Std Pkg
053-PC-1	4pc Pit Crew Tongue and Groove Plier Set	10 set

5 pc Tongue and Groove Plier Set



- Includes: 420, 426, 317, 337, E348

Item #	Description	Std Pkg
053-TOOLROLL-5	5pc Tongue and Groove w/Needle Nose Plier Set	5 set

Wire Stripping



- Wire stripper & cutter
- Overall length 6.25"
- 10to20 AWG Strip, Cut
- Weight 0.34 lbs

Item #	Description	Std Pkg
053-958	6" Wire Stripping Tool	5 ea

12" Oil Filter/PVC Plier



- car and light truck filters
- fits PVC, conduit and fittings
- Jaw capacity 2.5" min - 3.75" max
- 5 adjustments
- Weight 1.11 lbs

Item #	Description	Std Pkg
053-212	12" Oil Filter/ PVC Plier	5 ea

Aviation Snip - Left



- 18 ga. CR Steel - 22 ga. Stainless
- 9.75" overall length
- 0.84lbs

Item #	Description	Std Pkg
053-610AL	Aviation Snips Red Grips Cuts Left	5 ea

Aviation Snip - Right



- 18 ga. CR Steel - 22 ga. Stainless
- 9.75" overall length
- 0.84lbs

Item #	Description	Std Pkg
053-610AR	Aviation Snips Green Grips Cuts Right	5 ea



Aviation Snip - Straight



- 18 ga. CR Steel - 22 ga. Stainless
- 9.88" overall length
- 0.84lbs

Item #	Description	Std Pkg
053-610AS	Aviation Snips Yellow Grips Cuts Straight	5 ea

8 pc Electrical Plier Set



- **Includes:** 430CB, 420CB, 369CB, 911CB, 909CB, 358CB, 318CB, 338CB

Item #	Description	Std Pkg
053-CBR-8	8 pc Electrical Plier Set	1 ea

6-in-1 Screwdriver



- Code Blue Multi-bit Screwdriver
- BIT #1 Phillips Head #1 - Slotted 3/16"
- BIT #2 Phillips Head #2 - Slotted 1/4"
- BIT #3 Nut Driver 1/4" - Nut Driver 5/16"

Item #	Description	Std Pkg
053-61CB	6-in-1 Screwdriver	5 ea

Slot Screwdriver



- Slotted 1/4" tip x 6" blade length
- Mag Tip, Code Blue®
- 10.5" overall length
- 0.25 diameter

Item #	Description	Std Pkg
053-S146CB	7" Slot Screwdriver Code Blue	5 ea

7 pc Screwdriver Set



- S144CB 1/4" x 4" Slotted Screwdriver
- S146CB 1/4" x 6" Slotted Screwdriver
- S364CB 3/16" x 4" Slotted Screwdriver
- S388CB 3/8" x 8" Slotted Screwdriver
- P104CB #1 x 4" Phillips Screwdriver
- P204CB #2 x 4" Phillips Screwdriver
- P306CB #3 x 6" Phillips Screwdriver

Item #	Description	Std Pkg
053-SD-7CB	7 pc Screwdriver Set	5 ea

7 pc Nut Driver Set



- N132CB 11/32"
- N120CB 1/2"
- N140CB 1/4"
- N316CB 3/16"
- N380CB 3/8"
- N516CB 5/16"
- N716CB 7/16"

Item #	Description	Std Pkg
053-ND-7CB	7 pc Nut Driver Set 3/16"-1/2" Code Blue	5 ea

4 pc Hook & Pick Set



- **Includes:** 2" awl (AWL2A), 180° hook (A180A), 90° pick (A902A), probe (APRBA)
- Code Blue® handles

Item #	Description	Std Pkg
053-HP-4A	4pc hook & pick set	5 ea

Adjustable Wrench - Chrome



- **Jaw Capacity:** 0.94"
- 4-thread knurl & non-protruding jaws
- Chrome Vanadium steel construction
- Measurement scales (in. on front mm. on back)

Item #	Description	Std Pkg
053-806W	6" Chrome Adjustable Wrench	5 ea
053-808W	8" Chrome Adjustable Wrench	5 ea
053-810W	10" Chrome Adjustable Wrench	5 ea
053-812W	12" Chrome Adjustable Wrench	5 ea
053-815	15" Chrome Adjustable Wrench	5 ea
053-818	18" Chrome Adjustable Wrench	5 ea
053-824	24" Chrome Adjustable Wrench	1 ea

Adjustable Wrench - Black



- Black Phosphate finish
- 4-thread knurl & non-protruding jaws
- Measurement scales (in. on front mm. on back)

Item #	Description	Std Pkg
053-810NW	10" Black Adjustable Wrench	5 ea
053-812NW	12" Black Adjustable Wrench	5 ea
053-815N	15" Black Adjustable Wrench	5 ea



10" Adjustable Wrench - Code Blue



- Code Blue grips
- Greater jaw capacity
- Longer & thinner jaws
- Measurement scales (in. on front mm. on reverse)

Item #	Description	Std Pkg
053-810WCB	10" Adjustable Wrench Code Blue	5 ea

Adjustable Wrench - WideAzz



- 6WCB
- Jaw capacity 1.34"
- 8WCB
- Jaw capacity 1.50"

Item #	Description	Std Pkg
053-6WCB	6" Wide Azz Adjustable Wrench Code Blue	5 ea
053-8WCB	8" Wide Azz Adjustable Wrench Code Blue	5 ea

171 pc Mechanics Tool Set



- (20) 1/4" sockets
- (12) 1/2" sockets
- (35) Standard & deep 3/8" sockets
- (20) SAE & Metric nut driver bits
- (18) SAE & Metric hex keys
- (12) SAE & Metric combo wrenches
- (40) Phillips, slotted torx®, pozi, square & hex driver bits
- (2) Spark plug sockets, 3" extensions, Magnetic bit driver, Magnetic parts tray

Item #	Description	Std Pkg
053-39053	171 pc Mechanics Tool Set	3 ea



Poly Pro Series Sprayer - 1 gal



- Comfort grip handle
- Pressure relief valve
- Viton seals and gaskets
- Sure spray anti-clog filter
- 4" large opening for easy filling
- Cushion grip shut-off with internal filler
- Poly fan nozzle and poly and brass adjustable nozzle

Item #	Description	Std Pkg
249-26011XP	1 gal Poly Pro Series Sprayer	1 ea

Poly Pro Series Sprayer - 2 gal



- Comfort grip handle
- Pressure relief valve
- Viton seals and gaskets
- Sure spray anti-clog filter
- 4" large opening for easy filling
- Cushion grip shut-off with internal filler
- Poly fan nozzle and poly and brass adjustable nozzle

Item #	Description	Std Pkg
249-26021XP	2 gal Poly Pro Series Sprayer	1 ea

Poly Pro Series Sprayer - 3 gal



- Comfort grip handle
- Pressure relief valve
- Viton seals and gaskets
- Sure spray anti-clog filter
- 4" large opening for easy filling
- Cushion grip shut-off with internal filler
- Poly fan nozzle and poly and brass adjustable nozzle

Item #	Description	Std Pkg
249-26031XP	3 gal Poly Pro Series Sprayer	1 ea

Premier Steel Sprayer



- 18" brass wand and brass adjustable nozzle
- Tripoxy coated metal tank
- Surespray anti-clog filter
- Epoxy coated zinc shut off
- Funnel top for easy filling

Item #	Description	Std Pkg
249-1380	3 gal Premier Pro Steel Tri-Poxy Sprayer	1 ea

Xtreme Industrial Concrete Sprayer



- Xtreme Viton seals and gaskets
- TriPoxy steel tank with large Tri-Lock opening
- 36" brass spray handle, wand and nozzle
- Brass pump

Item #	Description	Std Pkg
249-19049	3.5 gal Red Xtreme Industrial Concrete Sprayer	1 ea

Industrial Open Head General Duty Sprayer



- Viton seals and gaskets
- TriPoxy steel tank with large Tri-Lock opening
- 24" Brass wand, brass spray handle, and nozzle
- Brass pump

Item #	Description	Std Pkg
249-1941	3.5 gal Blue Pro Steel Industrial Sprayer	1 ea



Industrial Viton Open Head Concrete Sprayer



- Viton seals and gaskets
- Tripoxy steel tank with large tri-lock opening
- 36" brass wand, brass spray handle, and nozzle
- Brass pump

Item #	Description	Std Pkg
249-1949	3.5 gal Red Industrial Concrete Sprayer	1 ea

3 gal Industrial Metal HD Sprayer



- 3-Gallon Tri-Poxy tank
- 36-inch reinforced hose
- Viton seals and gaskets
- Brass wand, nozzle and Shut-off with lock-on feature
- Wide mouth funnel opening for easy filling and cleaning

Item #	Description	Std Pkg
249-1352	3 gal HD Industrial Metal Viton Sprayer	1 ea

3.5 gal Industrial Funnel Top Sprayer



- Viton seals and gaskets
- 3.5-Gallon Tri-Poxy tank
- Poly holster keeps wand and nozzles secure
- Brass nozzle and Shut-off with lock-on feature
- Wide funnel-mouth opening for easy filling and cleaning

Item #	Description	Std Pkg
249-1449	3.5 gal Black Industrial Concrete Sprayer	1 ea

3 gal Industrial Open Head Sprayer



- Unique Tri-Lock seal feature
- Durable 3-Gallon Tri-Poxy tank
- Brass shut-off with lock-on feature
- Brass wand and adjustable brass nozzle
- 4" wide mouth opening for easy filling and cleaning
- Compatible with common fertilizers, weed killers and pesticides

Item #	Description	Std Pkg
249-1831	3 gal Industrial Open Head Sprayer	1 ea

3 gal Industrial Stainless Steel Sprayer



- 18" Brass wand, brass spray handle, and nozzle
- Stainless steel tank
- Large Tri-Lock opening
- Brass pump

Item #	Description	Std Pkg
249-1749	3 gal Stainless Industrial Sprayer	1 ea

2 gal Industrial Stainless Steel Sprayer



- Durable 2-Gallon stainless steel tank with wide Tri-Lock opening
- Compatible with common fertilizers, weed killers and pesticides
- Adjustable brass nozzle for a variety of applications
- Brass Shut-off with lock-on feature

Item #	Description	Std Pkg
249-1739	2 gal Industrial Stainless Steel Sprayer	1 ea

Sprayer Repair Kit



- Industrial Seal and Gasket Kit
- For use with Industrial open-head sprayers
- Viton

Item #	Description	Std Pkg
249-6-4627	Industrial Repair Kit	1 ea



CHICAGO HARDWARE
and FIXTURE COMPANY

SC Screw Pin Anchor Shackles



- Class 3
- Heat treated
- Self colored
- Screw pin type
- 6 to 1 safety factor

Item #	Description	Std Pkg
075-200103	1/4" SC Screw Pin Anchor Shackle	Bulk
075-200158	5/16" SC Screw Pin Anchor Shackle	Bulk
075-200202	3/8" SC Screw Pin Anchor Shackle	Bulk
075-200257	7/16" SC Screw Pin Anchor Shackle	Bulk
075-200301	1/2" SC Screw Pin Anchor Shackle	Bulk
075-200356	5/8" SC Screw Pin Anchor Shackle	Bulk
075-200400	3/4" SC Screw Pin Anchor Shackle	Bulk
075-200455	7/8" SC Screw Pin Anchor Shackle	Bulk
075-200509	1" SC Screw Pin Anchor Shackle	Bulk
075-200554	1-1/8" SC Screw Pin Anchor Shackle	Bulk
075-200608	1-1/4" SC Screw Pin Anchor Shackle	Bulk
075-200707	1-1/2" SC Screw Pin Anchor Shackle	Bulk

Galv Screw Pin Anchor Shackles



- Class 3, Galvanized
- Heat treated
- 6 to 1 Safety factor

Item #	Description	Std Pkg
075-201100	1/4" Galvanized Screw Pin Anchor Shackle	Bulk
075-201155	5/16" Galvanized Screw Pin Anchor Shackle	Bulk
075-201209	3/8" Galvanized Screw Pin Anchor Shackle	Bulk
075-201308	1/2" Galvanized Screw Pin Anchor Shackle	Bulk
075-201353	5/8" Galvanized Screw Pin Anchor Shackle	Bulk
075-201407	3/4" Galvanized Screw Pin Anchor Shackle	Bulk
075-201452	7/8" Galvanized Screw Pin Anchor Shackle	Bulk
075-201506	1" Galvanized Screw Pin Anchor Shackle	Bulk
075-201551	1-1/8" Galvanized Screw Pin Anchor Shackle	Bulk
075-201605	1-1/4" Galvanized Screw Pin Anchor Shackle	Bulk



SC Safety Anchor Shackles



- Class 3
- 6 to 1 safety factor
- Bolt type with nut and cotter pin
- Heat treated shackles and pin

Item #	Description	Std Pkg
075-205108	1/4" SC Bolt Type Safety Anchor Shackle	Bulk
075-205153	5/16" SC Bolt Type Safety Anchor Shackle	Bulk
075-205207	3/8" SC Bolt Type Safety Anchor Shackle	Bulk
075-205306	1/2" SC Bolt Type Safety Anchor Shackle	Bulk
075-205351	5/8" SC Bolt Type Safety Anchor Shackle	Bulk
075-205405	3/4" SC Bolt Type Safety Anchor Shackle	Bulk
075-205450	7/8" SC Bolt Type Safety Anchor Shackle	Bulk
075-205504	1" SC Bolt Type Safety Anchor Shackle	Bulk
075-205559	1-1/8" SC Bolt Type Safety Anchor Shackle	Bulk
075-205603	1-1/4" SC Bolt Type Safety Anchor Shackle	Bulk
075-205702	1-1/2" SC Bolt Type Safety Anchor Shackle	Bulk

Galv Safety Anchor Shackles



- Class 3
- 6 to 1 Safety factor
- Heat treated shackles and pin
- Bolt type with nut and cotter pin

Item #	Description	Std Pkg
075-206105	1/4" Galvanized Bolt Type Safety Anchor Shackle	Bulk
075-206150	5/16" Galvanized Bolt Type Safety Anchor Shackle	Bulk
075-206204	3/8" Galvanized Bolt Type Safety Anchor Shackle	Bulk
075-206303	1/2" Galvanized Bolt Type Safety Anchor Shackle	Bulk
075-206358	5/8" Galvanized Bolt Type Safety Anchor Shackle	Bulk
075-206402	3/4" Galvanized Bolt Type Safety Anchor Shackle	Bulk
075-206457	7/8" Galvanized Bolt Type Safety Anchor Shackle	Bulk
075-206501	1" Galvanized Bolt Type Safety Anchor Shackle	Bulk
075-206556	1-1/8" Galvanized Bolt Type Safety Anchor Shackle	Bulk
075-206600	1-1/4" Galvanized Bolt Type Safety Anchor Shackle	Bulk
075-206709	1-1/2" Galvanized Bolt Type Safety Anchor Shackle	Bulk

Hot Galv HD Closed Thimbles



- Hot galvanized
- For heavy duty applications
- Sizes shown are for rope size to be used

Item #	Description	Std Pkg
075-221054	1/4" Hot Galvanized Heavy Duty Closed Thimble	Bulk
075-221108	5/16" Hot Galvanized Heavy Duty Closed Thimble	Bulk
075-221153	3/8" Hot Galvanized Heavy Duty Closed Thimble	Bulk
075-221252	1/2" Hot Galvanized Heavy Duty Closed Thimble	Bulk
075-221306	9/16"-5/8" Hot Galvanized HD Closed Thimble	Bulk
075-221351	3/4" Hot Galvanized Heavy Duty Closed Thimble	Bulk
075-221405	7/8" Hot Galvanized Heavy Duty Closed Thimble	Bulk
075-221450	1" Hot Galvanized Heavy Duty Closed Thimble	Bulk
075-225052	1/8" Hot Galvanized Heavy Duty Closed Thimble	Bulk

Hot Galv STD Closed Thimbles



- Hot galvanized
- For light duty applications
- Sizes shown are for rope size to be used

Item #	Description	Std Pkg
075-225151	1/4" Hot Galvanized Standard Closed Thimble	Bulk
075-225205	5/16" Hot Galvanized Standard Closed Thimble	Bulk
075-225250	3/8" Hot Galvanized Standard Closed Thimble	Bulk
075-225359	1/2" Hot Galvanized Standard Closed Thimble	Bulk
075-225403	5/8" Hot Galvanized Standard Closed Thimble	Bulk
075-225458	3/4" Hot Galvanized Standard Closed Thimble	Bulk
075-225502	7/8" Hot Galvanized Standard Closed Thimble	Bulk
075-225557	1" Hot Galvanized Standard Closed Thimble	Bulk

SC Wire Rope Clip



- Class 1, Galvanized
- U-Bolt clip type
- For heavy duty applications

Item #	Description	Std Pkg
075-234603	1/8" SC Wire Rope Clip Drop Forged	Bulk
075-234658	3/16" SC Wire Rope Clip Drop Forged	Bulk
075-234702	1/4" SC Wire Rope Clip Drop Forged	Bulk
075-234757	5/16" SC Wire Rope Clip Drop Forged	Bulk
075-234801	3/8" SC Wire Rope Clip Drop Forged	Bulk
075-234900	1/2" SC Wire Rope Clip Drop Forged	Bulk
075-234955	9/16" SC Wire Rope Clip Drop Forged	Bulk
075-235006	5/8" SC Wire Rope Clip Drop Forged	Bulk
075-235051	3/4" SC Wire Rope Clip Drop Forged	Bulk
075-235105	7/8" SC Wire Rope Clip Drop Forged	Bulk
075-235150	1" SC Wire Rope Clip Drop Forged	Bulk
075-235204	1-1/8" SC Wire Rope Clip Drop Forged	Bulk
075-235259	1-1/4" SC Wire Rope Clip Drop Forged	Bulk
075-235358	1-1/2" SC Wire Rope Clip Drop Forged	Bulk

Eye Bolt



- Standard shank lengths
- Drop forged steel
- Shoulder pattern
- Threaded

Item #	Description	Std Pkg
075-128858	1/2" Shoulder Eye Bolt	Bulk
075-129251	5/8" Shoulder Eye Bolt	Bulk

SC Clevis Grab Hook



- Self colored
- Drop forged steel
- Use with heat treated chain
- Heat treated stamp on each hook

Item #	Description	Std Pkg
075-237055	1/4" SC Clevis Grab Hook Drop Forged	Bulk
075-237109	5/16" SC Clevis Grab Hook Drop Forged	Bulk
075-237154	3/8" SC Clevis Grab Hook Drop Forged	Bulk
075-237253	1/2" SC Clevis Grab Hook Drop Forged	Bulk



ZP Clevis Grab Hook



- Zinc plated
- Heat treated
- Use with heat treated chain

Item #	Description	Std Pkg
075-238052	1/4" ZP Clevis Grab Hook Drop Forged	Bulk
075-238106	5/16" ZP Clevis Grab Hook Drop Forged	Bulk
075-238151	3/8" ZP Clevis Grab Hook Drop Forged	Bulk
075-238250	1/2" ZP Clevis Grab Hook Drop Forged	Bulk
075-238359	3/4" ZP Clevis Grab Hook Drop Forged	Bulk

Zinc Plated U-Bolt & Nuts



- 2 hex nuts
- Zinc plated
- Low carbon steel

Item #	Description	Std Pkg
075-500890	2" Pipe 3/8" x 2-1/8" x 3-1/8" U-Bolt & Nuts	10 ea
075-501019	2-1/2" Pipe 1/2" x 3" x 4-1/2" U-Bolt & Nuts	10 ea
075-501040	3" Pipe 1/2" x 3-1/2" x 5" U-Bolt & Nuts	10 ea
075-501132	4" Pipe 1/2" x 4-1/2" x 6" U-Bolt & Nuts	10 ea
075-501163	5" Pipe 1/2x5-5/8x7-1/4 U-Bolt & Nuts	10 ea
075-501194	6" Pipe 1/2" x 6-3/4 x 8-3/8" U-Bolt & Nuts	10 ea
075-501224	8" Pipe 1/2" x 8-3/4" x 10-3/8" U-Bolt & Nuts	10 ea

Zinc Plated U-Bolt - Nuts & Plates



- Zinc plated
- 2 hex nuts and plates
- Nuts & Plates are included

Item #	Description	Std Pkg
075-502290	1" Pipe 1/4" x 1-1/2" x 2-3/4" U-Bolt	10 ea
075-502658	2" Pipe 5/16" x 2-1/2" x 3-3/16" U-Bolt	10 ea
075-502689	2" Pipe 5/16" x 2-1/2" x 5-5/8" U-Bolt	10 ea
075-502894	2" Pipe 3/8" x 2-1/2" x 3-1/8" U-Bolts	10 ea
075-502986	3" Pipe 3/8" x 3-1/2" x 4-1/8" U-Bolt	10 ea
075-503044	3" Pipe 1/2" x 3-1/2" x 5" U-Bolts	10 ea
075-503075	3" Pipe 1/2" x 3-1/2" x 8-1/2" U-Bolts	10 ea



Calcium Lime and Rust Remover - 1 gal



- Cleans away calcium and lime deposits
- The formula has many industrial and commercial applications
- Will clean HVAC, swamp coolers, tools and humidifiers as well as dehumidifiers

Item #	Description	Std Pkg
230-CL-4PRO	1 gal Calcium, Lime & Rust Remover	4 ea

Calcium Lime and Rust Remover - 5 gal



- Cleans away calcium and lime deposits
- The formula has many industrial and commercial applications
- Will clean HVAC, swamp coolers, tools and humidifiers as well as dehumidifiers

Item #	Description	Std Pkg
230-CL-5PRO	5 gal Calcium, Lime & Rust Remover	5 gal

Calcium Lime and Rust Remover - 55 gal



- Cleans away calcium and lime deposits
- The formula has many industrial and commercial applications
- Will clean HVAC, swamp coolers, tools and humidifiers as well as dehumidifiers

Item #	Description	Std Pkg
230-CL-55PRO	55 gal Calcium, Lime & Rust Remover	55 gal

Grease Magnet - 1 gal



- Biodegradable
- Non-toxic, non-corrosive
- Contains no acids, abrasive or petroleum solvents
- Cleans stubborn oil, grease and tar from cement, blacktop, factory and garage floors as well as a wide variety of other surfaces

Item #	Description	Std Pkg
230-GM-4PRO	1 gal Grease Magnet Cleaner/Degreaser	4 ea

Grease Magnet - 5 gal



- Biodegradable
- Non-toxic, non-corrosive
- Contains no acids, abrasive or petroleum solvents
- Cleans stubborn oil, grease and tar from cement, blacktop, factory and garage floors as well as a wide variety of other surfaces

Item #	Description	Std Pkg
230-GM-5PRO	5 gal Grease Magnet Cleaner/Degreaser	5 gal

Grease Magnet - 55 gal



- Biodegradable
- Non-toxic, non-corrosive
- Contains no acids, abrasive or petroleum solvents
- Cleans stubborn oil, grease and tar from cement, blacktop, factory and garage floors as well as a wide variety of other surfaces

Item #	Description	Std Pkg
230-GM-55PRO	55 gal Grease Magnet Cleaner/Degreaser	55 gal



Bath Cleaner - 32 oz



- Can be used on countertops, white grout and tile, sinks as well as toilets
- Cleans soap deposits off chrome, stainless steel, glass, plastic and fiberglass
- Do not use this cleaner on marble, mirrors, plastic laminates, wood, fabrics, painted surfaces, colored grout or wall coverings

Item #	Description	Std Pkg
230-BATH-32PRO	32 oz Bath Daily Cleaner Trigger Spray	6 ea

Bath Cleaner - 1 gal



- Can be used on countertops, white grout and tile, sinks as well as toilets
- Cleans soap deposits off chrome, stainless steel, glass, plastic and fiberglass
- Do not use this cleaner on marble, mirrors, plastic laminates, wood, fabrics, painted surfaces, colored grout or wall coverings

Item #	Description	Std Pkg
230-BATH-4PRO	1 gal Bath Daily Cleaner	4 ea

Kitchen Daily Cleaner



- Cleans stainless steel, white grout and tile, countertops, dishware as well as glassware
- Multipurpose, multi-surface, non-toxic cleaner
- Do not use this cleaner on vinyl, marble, mirrors, plastic laminates, wood, fabrics, painted surfaces, colored grout or wall coverings

Item #	Description	Std Pkg
230-KITCH-32PRO	32 oz Kitchen Daily Cleaner Trigger Spray	6 ea

Heavy Duty Cleaner



- Non-toxic as well as non-corrosive
- Biodegradable, it will not harm landscaping
- It is a multi-surface, industrial strength cleaner
- Ready to use full strength cleaning product formulated to cut through grease and other soils
- Ideal for manufacturing environments (including loading docks), industrial flooring, tile, machinery and equipment, etc.

Item #	Description	Std Pkg
230-HDC-26PRO	26 oz Heavy Duty Cleaner Trigger Spray	6 ea

Mold & Mildew Stain Remover



- Bleach-free remover
- Foam sprayer that allows for a more direct application, preventing splash back and spores from spreading in the air
- Quickly removes tough surface mold and mildew stains on a wide variety of surfaces throughout the home
- Should not be used on metals or finishes, especially chrome or stainless steel

Item #	Description	Std Pkg
230-CMM-6	32 oz Mold & Mildew Stain Remover	6 ea

Metal Cleaner - 1 gal



- Cleans away calcium and lime deposits
- The formula has many industrial and commercial applications
- Will clean HVAC, swamp coolers, tools and humidifiers as well as dehumidifiers

Item #	Description	Std Pkg
230-CLRMC-4PRO	1 gal Metal Cleaner	4 ea

Metal Cleaner - 5 gal



- Cleans away calcium and lime deposits
- The formula has many industrial and commercial applications
- Will clean HVAC, swamp coolers, tools and humidifiers as well as dehumidifiers

Item #	Description	Std Pkg
230-CLRMC-5PRO	5 gal Metal Cleaner	5 gal

Stainless Steel Cleaner



- Removes dirt, residue and fingerprints
- Never use any other cleaners with CLR Stainless Steel Cleaner
- Streak-less, shiny protective barrier that repels dust, dirt and grime

Item #	Description	Std Pkg
230-CSS-12	12 oz Stainless Steel Cleaner	6 ea



Cleaner & Degreaser - 1 gal



- **Removes:** Dirt, grease, tobacco, pencil, blood, food, paint, coffee
- Cleans everything washable at work or home
- Makes stains disappear inside and out
- Concentrated

Item #	Description	Std Pkg
203-MCI-101	1 gal Bottle Cleaner/Degreaser	1 gal

Cleaner & Degreaser - 5 gal



- **Removes:** Dirt, grease, tobacco, pencil, blood, food, paint, coffee
- Cleans everything washable at work or home
- Makes stains disappear inside and out
- Concentrated

Item #	Description	Std Pkg
203-MCI-105	5 gal Jug Cleaner/Degreaser	5 gal

**NORSEMAN/CTD
DRILL & TOOL**

4 pc Heavy Duty Drill Bit Set



- 9/16" – 1"
- Plastic case
- HD 135° split point
- 3 flats on the shank
- 1/2" Shank silver & deming bits

Item #	Description	Std Pkg
189-12250	4 pc Silver & Deming HD 135 Split Point Drill Bit	1 set

29 pc Heavy Duty Drill Bit Set



- 1/16" – 1/2"
- 135° split point
- Metal index case
- Black oxide finish
- Jobber length style bits

Item #	Description	Std Pkg
189-40642	29 pc 3/8 Reduced Shank Set AQF-29R Drill Bit	1 set

29 pc Premium Drill Bit Set



- 1/16" – 1/2"
- 135° split point
- Ultra-dex bit case
- Black oxide finish
- Jobber length type bits

Item #	Description	Std Pkg
189-46952	29 pc AQF-29P 3-Flat 135 Split Point Drill Bit	1 set

37 pc Hi-Carbon Steel Tap & Die Set



- Plastic case
- (2) Tap wrenches
- (1) 1/8-27 pipe tap
- NC and NF plug taps and hex dies

Item #	Description	Std Pkg
189-50120	37 pc Tap & Hex Die Set Hi-Carbon Steel NC & NF	1 set

37 pc Metric Tap & Die Set



- Hi-Carbon Steel
- T-Handle Tap Wrench
- Sturdy plastic case

Item #	Description	Std Pkg
189-50150	37pc Metric Tap & Hex Die Set	1 ea



Safety Cone



- Wide body design Vinyl Traffic Cone
- Injection molded PVC - black rugged base
- Meets NCHRP-350 Certification
- Meets MUTCD Standards

Item #	Description	Std Pkg
246-TC12	12" Orange Safety Cone & 2# Base	Bulk
246-TC18	18" Orange Safety Cone & 3# Base	Bulk
246-TC28	28" Orange Safety Cone & 10# Base	Bulk

Traffic Cone - TC18-R



- Wide body design
- Injection molded PVC - black rugged base
- Meets NCHRP-350 Certification
- Meets MUTCD Standards

Item #	Description	Std Pkg
246-TC18-R	18" 3# Base Safety Cone w/Reflective	1 ea

Traffic Cone - TC28-R



- Wide body design
- Injection molded PVC - black rugged base
- Meets NCHRP-350 Certification
- Meets MUTCD Standards

Item #	Description	Std Pkg
246-TC28-R	28" 10# Safety Cone w/Reflective Tape	1 ea

Collapsible Flashing Cone



- White reflective stripe
- Bright orange waterproof nylon
- 1 LED internal cone light bulb
- Internal cone light has 2 settings: steady and flashing
- Carrying case included

Item #	Description	Std Pkg
246-03-501-02	28" Orange Collapsible Safety Cone	4 ea

Grip N Go Channelizer Cone



- 49.8" overall height
- 42" tiered-cone design
- Base NOT INCLUDED
- Engineer Grade sheeting
- Meets MUTCD standards
- Meets NCHRP-350 Certification

Item #	Description	Std Pkg
246-03-750-4EGG	42" Channelizer 4" EG Sheeting	Bulk



30 lb Channelizer Base



- Length: 15" x Width: 14" x Height: 3"
- Weight: 30 lb
- Recycled Rubber Material

Item #	Description	Std Pkg
246-03-752-30#	42" Channelizer 30 lb Base	Bulk

Reflective Red/White Tape



- Type: Reflective
- Length: 150'
- Color: Red/White
- Adhesive Material: Acrylic

Item #	Description	Std Pkg
246-REFLECTDOT	(03-500-92) DOT Tape Reflective Red/White 150'	1 ea

Red Mesh Safety Flag



- 18" x 18"
- wooden dowel size 5/8"D x 24"L
- Heavy Duty Mesh
- DOT Approved

Item #	Description	Std Pkg
246-18-SF	18" HdI Red Mesh Safety Flag	Bulk

Rubber Wheel Chock



- Weighs 9 lbs
- 12' chain jackchain
- Zinc-plated eyebolt
- Maximum durability and skid protection

Item #	Description	Std Pkg
246-2048WCC	10"x8"x6" Heavy Duty Wheel Chock w/12' Chain	Bulk

"OVERSIZE LOAD", "WIDE LOAD" Hwy Banner



- 12" letter size
- 96" width by 18" height
- Wide load/oversize banner
- Bright yellow vinyl with black letters

Item #	Description	Std Pkg
246-03-11-000	"Oversize Load", "Wide Load" HWY Banner	1 ea

Safety Triangle Warning Kit



- **Contains:** 3 Triangles & Plastic Box
- Will not tilt up to 40 mph wind

Item #	Description	Std Pkg
246-SAFETRI	3 pc Safety Triangle Warning Kit 95-02-002-03	1 ea

17" x 29" Sand Bag



- 17" x 29"
- Poly woven
- Durable and strong

Item #	Description	Std Pkg
246-SAND-BAG	17" x 29" Sand Bag	Bulk



100 Series Hand Crank Reel No Hose



- Open drum design
- Direct hand crank rewind
- One piece, heavy gauge "U" shaped frame
- Adjustable brake to prevent "free-wheeling"

Item #	Description	Std Pkg
138-112-3-150	5/8" OD x 150' Hand Reel Less Hose	1 ea
138-117-5-100	3/4" ID x 100' Hand Crank Less Hose	1 ea

1125 Series Hand Crank Reel



- Low profile riser & open drum slot for smooth, even wraps
- Sturdy one-piece all-welded A-frame base
- Permanently lubricated self-aligning bearings
- Adjustable tension brake

Item #	Description	Std Pkg
138-1125-4-100	1/2" x 100' Hand Crank Less Hose	1 ea

P Series Reel



- 300 psi max hose included
- Sturdy single pedestal reel
- 1" solid steel axle
- Lubricated precision bearings
- Cartridge-style spring motor

Item #	Description	Std Pkg
138-P-LP-325	3/8" x 25' Performance Hose Reel w/Hose 300 PSI	1 ea
138-P-LP-350	3/8" x 50' Performance Hose Reel w/Hose 300 PSI	1 ea
138-P-LP-450	1/2" x 50' Performance Hose Reel w/Hose 300 PSI	1 ea

SD Series Reel



- Cable and stop included
- 50 amp grounding clamp included
- Heavy duty construction
- 1" Solid steel shaft
- Multi-position arm guide
- Cartridge style spring motor

Item #	Description	Std Pkg
138-SD-100	Static Wire Wheel	1 ea
138-SD-50	Static Wire Wheel	1 ea



PC10 Power-Cord Reel



- Limited space application
- Power cord guide
- Chemical resistance & cold temperature strength composite hub

Item #	Description	Std Pkg
138-PC10-3012-A	12 Gauge 30' Spring Driven Electrical Cord Reel	1 ea



QD Contact Cleaner



- Plastic safe
- Evaporates quickly and leaves no residue
- Contains no class I or II ozone depleting chemicals
- NSF K2 registered

Item #	Description	Std Pkg
068-02130	16 oz QD Contact Cleaner	12 ea
068-03130	16 oz QD Contact Cleaner	12 ea

Contact Cleaner 2000



- General purpose precision cleaner
- Evaporates quickly, leaves no residue
- No class 1 ozone depleting chemicals
- Non-conductive, non-corrosive, and chemically stable
- NSF K2 registered

Item #	Description	Std Pkg
068-02140	16 oz Contact Cleaner 2000 Precision Cleaner	12 ea

Electrical Parts Cleaner



- Non-flammable
- Fast evaporation, leaves no residue
- Non-staining, non-corrosive and non-conductive
- High dielectric strength of 37,500 volts
- Contains no 1, 1, 1 trichloroethane
- NSF K2 registered for use in meat and poultry plants

Item #	Description	Std Pkg
068-02180	20 oz Electrical Parts Cleaner	12 ea

Electrical Parts Cleaner



- Designed for use on energized equipment
- Non-flammable formula
- Dissolves grease, oil, dirt, & wax
- 20 Ounce Aerosol net fill 19 Wt Oz
- Dielectric Strength 37,500 Volts

Item #	Description	Std Pkg
068-05018	20 oz Lectra Motive Parts Cleaner	12 ea

Contact Cleaner



- Non-flammable
- Plastic safe
- Contains no VOCs
- Contains no class I or II ozone depleting chemicals
- NSF K2 registered

Item #	Description	Std Pkg
068-03070	16 oz Contact Cleaner Advanced Tech	12 ea

Carb & Choke Cleaner



- Dissolves deposits like gum, sludge and varnish
- Fast acting cleaning action
- Will not harm oxygen sensors or catalytic converters
- Meets US EPA and California VOC requirements

Item #	Description	Std Pkg
068-03077	16 oz Carb & Choke Spray Cleaner	12 ea

Contact Cleaner 2000



- Fast evaporation
- High purity formula
- Leaves no residue
- New advanced cozol® technology
- No class i or class ii ozone depleting chemicals
- No flash point

Item #	Description	Std Pkg
068-03150	16 oz 2000 Contact & Precision Cleaner	12 ea

CO Contact Cleaner



- No known ozone depleting substances or VOCs
- Non-chlorinated, non-flammable, plastic safe formula
- Optimal alternative to CFC, HCFC and flammable contact cleaners
- NSF K2 Registered

Item #	Description	Std Pkg
068-02016	16 oz CO Contact Cleaner	12 ea

Contact Cleaner 2000



- Evaporates quickly
- Leaves no residue
- No flash or fire point
- Contains no Class I or Class II Ozone Depleting Chemicals

Item #	Description	Std Pkg
068-02240	12 oz 2000 Contact Cleaner NF Precision Cleaner	12 ea



Clean-R-Carb



- Enhances fuel economy
- Quickly dissolves carburetor deposits like gum, sludge and varnish
- Cleans and frees: auto chokes, carb linkage, heat risers, pcv systems

Item #	Description	Std Pkg
068-05081	20 oz Clean-R-Carb Choke & Carburetor Cleaner	12 ea

Dust & Lint Remover



- Plastic safe
- No wetting or clumping
- Non-abrasive, non-corrosive
- Non-ozone depleting

Item #	Description	Std Pkg
068-05185	12 oz Duster Dust, Dirt & Lint Remover	12 ea

Dust Removal System



- Plastic safe
- No residue
- Non-abrasive
- Non-flammable
- NSF K2 registered

Item #	Description	Std Pkg
068-14085	12 oz Duster Moisture-Free w/Trigger Sprayer	12 ea

HydroForce Glass Cleaner



- For professional strength, streak-free glass cleaning
- Biodegradable, ready to use
- Non-abrasive foaming action
- Non-flammable, non-ozone depleting
- NSF C1 registered for use in meat and poultry plants

Item #	Description	Std Pkg
068-14412	20 oz HydroForce Glass Cleaner	12 ea

HydroForce Glass Cleaner



- Biodegradable, ready to use
- Cuts through dirt, dust, fingerprints and haze deposits
- Provides streak-free glass cleaning even on delicate glass surfaces

Item #	Description	Std Pkg
068-14411	32 oz HydroForce Glass Cleaner	12 ea

HydroForce Super Citrus HD Degreaser



- Water-dilutable, d-Limonene based degreaser
- Effective in dissolving grease, oil, ink, and grime
- Designed for extremely difficult cleaning jobs found in the industrial and cleaning environments

Item #	Description	Std Pkg
068-14440	20 oz HydroForce Super Citrus Cleaner	12 ea

05050 Brakleen Brake Parts Cleaner



- Contains no chlorinated solvents
- Cleans fast, dries fast, leaves no residue
- Degreases instantly
- Works without disassembly

Item #	Description	Std Pkg
068-05050	20 oz Brakleen 50 State Formula Non-Chlorinated	12 ea

05084 Brakleen Brake Parts Cleaner



- Non chlorinated brake parts cleaner
- Removes brake fluid, grease, oil and other contaminants from brake linings and pads
- Applied on brake cylinders, brake drums, brake linings, brake shoes, calipers and clutch discs
- Low volatile organic compounds (VOC) formulation

Item #	Description	Std Pkg
068-05084	20 oz Brakleen Brake Parts Cleaner/Flammable	12 ea

05088 Brakleen Brake Parts Cleaner



- Contains no chlorinated solvents
- Cleans fast, dries fast, leaves no residue
- Works without disassembly
- Restricted from sales in some states

Item #	Description	Std Pkg
068-05088	20 oz Brakleen Cleaner/Flammable	12 ea

05089 Brakleen Brake Parts Cleaner



- Non-flammable
- Degreases instantly
- Works without disassembly
- Cleans fast, dries fast, leaves no residue
- Helps brakes last longer and perform more efficiently

Item #	Description	Std Pkg
068-05089	20 oz Brakleen Cleaner/Non-Flammable	12 ea



Lectra Clean HD Degreaser



- Quick and efficient degreasing action
- Fast evaporation and no residue
- High dielectric strength of 37,500 volts
- Non-corrosive, non-staining and non-conductive
- No 1, 1, 1Trichloroethane or class I or II chemicals
- NSF K2 registered

Item #	Description	Std Pkg
068-02018	20 oz Lectra Clean Heavy Duty Degreaser	12 ea

Lectra Clean II Degreaser



- NSF K2 registered
- High dielectric strength of 29,000 volts
- Non-corrosive, non-staining and non-conductive
- No 1, 1, 1Trichloroethane or class I or II chemicals
- Alternative for cleaning where chlorinated solvents are not acceptable

Item #	Description	Std Pkg
068-02120	20 oz Lectra Clean Non-chlorinated HD Degreaser	12 ea

Gasket Remover



- Removes baked-on fiber gaskets, gasket adhesives and sealants
- Excellent paint, varnish and graffiti remover
- Contains no methylene chloride
- Loosens carbon deposits

Item #	Description	Std Pkg
068-03017	16 oz Gasket Paint & Decal Remover	12 ea

Heavy-Duty Degreaser



- No flash or fire point
- High cleaning strength of 129 KB
- High dielectric strength of 36,700 volts
- Non-corrosive, non-staining and non-conductive
- NSF K2 Registered for use in meat and poultry plants

Item #	Description	Std Pkg
068-03095	20 oz HD Degreaser Chlorinated Solvent Base	12 ea

Quick Clean Safety Solvent



- Non-flammable
- Fast evaporation, leaves no residue
- High dielectric strength of 37,500 volts
- Non-staining, non-corrosive and non-conductive
- NSF K2 Registered for use in meat and poultry plants

Item #	Description	Std Pkg
068-03180	20 oz Quick Clean Safety Solvent Degreaser	12 ea

Chlor-Free Degreaser



- Leaves no residue
- Fast drying to help minimize downtime
- Non-conductive, non-corrosive and non-staining
- NSF K2 Registered for use in meat and poultry plants
- Penetrates quickly to remove oil, grease and other contaminants

Item #	Description	Std Pkg
068-03185	20 oz Chlor-Free Degreaser	12 ea

Sta-Plex Premium Red Grease



- Copper-based
- Electrically conductive
- Prevents seizing and galling
- Safe for both ferrous and non-ferrous metals
- High temperature resistance up to 1800°F

Item #	Description	Std Pkg
068-SL3190	14 oz Cartridge Sta-Plex Premium Red Grease	10 ea

Red Hi-Temp Grease



- NLGI #2 Red Grease
- Extreme pressure lithium complex grease
- Superior protection to lubricate a wide variety of severe duty drilling, industrial, mining and construction equipment

Item #	Description	Std Pkg
068-SL3640	14 oz Driller Red #2 Hi-Temp Grease	12 ea

Lithium Grease - General Purpose



- A high purity, NLGI Grade 2 lithium based grease
- Provides superior lubrication & durability in any weather and most temperatures
- It is a versatile grease designed for light duty applications requiring a long grease life
- Will not break down

Item #	Description	Std Pkg
068-SL3310	14 oz Lithium Grease - General Purpose	10 ea

Super White Multi-Purpose Lithium Grease



- A high purity, NLGI Grade 2 multi-purpose white lithium grease
- Provides superior lubrication & durability in any weather and most temperatures
- Bright white in color

Item #	Description	Std Pkg
068-SL3360	10 oz MP Lithium Based Grease Tube	6 ea



2-26 Multi-Purpose Lubricant



- Restores resistance values
- Helps stop current leakage
- Penetrant and corrosion inhibitor
- Plastic safe - will not harm modern plastics
- Protects against corrosion by thin long lasting film
- NSF H2 registered for use in meat and poultry plants

Item #	Description	Std Pkg
068-02005	16 oz 2-26 Multi-Purpose Lubricant	12 ea

Di-Electric Grease Compound



- Excellent lubricant for rubber and plastic parts
- NSF H1 Registered for incidental food contact
- Temperature resistant - maintains performance year round
- Improves electrical performance during adverse conditions

Item #	Description	Std Pkg
068-02085	6 oz Can Di-Electric Grease Non-Curing Pressurized Can	12 ea

Electrical Silicone Lubricant



- Low surface tension
- Non-hardening lubricant minimizes corrosion
- Wide effective temperature range - 40 F to 400 F
- Eliminates binding and sticking of metal to non-metal surfaces

Item #	Description	Std Pkg
068-02094	16 oz Electrical Grade Silicone Lubricant	12 ea

3-36 Multi-Purpose Lubricant



- Cleans, lubricates, penetrates and loosens corrosion
- Prevents corrosion, displaces moisture and cleans
- Lubricates without leaving a sticky residue
- Convenient 360° spray valve
- NSF H2 registered

Item #	Description	Std Pkg
068-03005	16 oz 3-36 Multi Purpose Lubricant	12 ea

Knocker Loose Penetrating Solvent



- Industrial strength, low viscosity lubricant/penetrant
- Formulated to dissolve rust, varnish and corrosion
- Loosens rusted & corroded nuts, bolts, etc.
- Lubricating residue prevents corrosion
- NSF H2 registered

Item #	Description	Std Pkg
068-03020	16 oz Knock'er Loose Penetrating Solvent	12 ea

Knocker Loose Plus Penetrating Solvent



- Evaporates quickly
- Leaves no residue
- No flash or fire point
- Contains no Class I or Class II Ozone Depleting Chemicals

Item #	Description	Std Pkg
068-03027	20 oz Knock'er Loose Penetrating Solvent	12 ea

Extreme Duty Silicone



- Premium grade-superior lubrication and temperature viscosity characteristics
- Clear, non-staining orderless film resists moisture
- High grade release and parting agent
- Reduces friction and galling
- NSF H2 registered

Item #	Description	Std Pkg
068-03030	16 oz Extreme Duty Silicone	12 ea

Food Grade White Grease



- Adhesion resists throw-off and shear breakdown
- Wide operating temperature range 0°F to 450°F
- Resistant to water, salt spray and detergent
- NSF H1 registered for incidental food contact
- NLGI grade #2 grease

Item #	Description	Std Pkg
068-03038	16 oz Food Grade White Grease	12 ea

Food Grade Silicone



- Harmless to most rubbers and plastics
- Wide effective temperature range - 40 F to 400 F
- Excellent release agent and lubricant for all surfaces
- Colorless, odorless, non-staining, multi-purpose lubricant for food processing and handling applications

Item #	Description	Std Pkg
068-03040	16 oz Silicone Food Grade	12 ea

Power Lube



- NSF H2 registered for use in meat and poultry plants
- Contains PTFE for long-lasting protection
- Withstands extreme load carrying situations
- Displaces moisture and seals out corrosion
- Exceeds 4500 lbs on falex load test

Item #	Description	Std Pkg
068-03045	16 oz Power Lube w/PTFE	12 ea



Chain & Wire Rope Lubricant



- High temperature stability up to 350°F
- Blend of synthetic lubricants and molybdenum
- NSF H2 registered for use in meat and poultry plants
- Resists water wash-off and high temperature sling-off
- Absorbs pin/bushing shock and cushions rollers, pins and bushings

Item #	Description	Std Pkg
068-03050	16 oz Chain & Wire Rope Lube	12 ea

Food Grade Chain Lube



- Excellent for both food and non-food applications
- Operates effectively in temperatures up to 325°F
- No known ozone depleting chemicals
- Extends chain life
- Silicone free
- NSF H1 rated

Item #	Description	Std Pkg
068-03055	16 oz Food Grade Chain Lube	12 ea

Screwloose Super Penetrant



- Thin, non-drying film
- Eases disassembly of equipment and fittings
- Clear formula contains no dyes and leaves no mess
- Instantly penetrates minute and tightly fills crevices
- NSF H2 registered and VOC compliant

Item #	Description	Std Pkg
068-03060	16 oz Screwloose Penetrating Lube	12 ea

Food Grade Belt Dressing



- Ideally suited for flat, round and V-belts
- Tacky, non-drying, water-resistant film
- Resists water wash-off, maintains belt flexibility
- Improves traction and reduces belt tension
- NSF H1 registered for incidental food contact

Item #	Description	Std Pkg
068-03065	16 oz Food Grade Belt Dressing	12 ea

Red Grease



- Heavy duty formula
- Penetrates to form a thick film
- Red color and smooth texture
- Waterproofs and prevents corrosion
- Withstands high temperature and pressure

Item #	Description	Std Pkg
068-03079	16 oz Red Grease	12 ea

White Lithium Grease



- High purity, high quality NLGI Grade 2 lithium based
- Excellent heat and water resistance
- Contains rust and oxidation inhibitors
- White color allows for easy visual inspection
- NSF H2 registered for use in meat and poultry plants

Item #	Description	Std Pkg
068-03080	16 oz White Lithium Grease	12 ea

Food Grade Machine Oil



- Contains no silicone
- Will not harm metal, wood, plastic or painted surfaces
- Penetrates and loosens rust, scale, dirt and corrosion to free parts and fasteners
- NSF H1 registered for incidental food contact

Item #	Description	Std Pkg
068-03081	16 oz Food Grade Machine Oil	12 ea

Di-Electric Grease



- Excellent lubricant for rubber and plastics
- Wide temperature range of -70° to 400° F
- Waterproofs electrical connections and components
- Improves electrical performance during adverse conditions
- NSF H1 registered for incidental food contact

Item #	Description	Std Pkg
068-03082	16 oz Di-Electric Grease Silicone Non-Curing	12 ea

Dry Moly Lube



- Non-Conductive
- Fast drying film resists dirt and dust build-up
- High anti-friction and anti-seizure properties
- Lubricant resists high temperatures up to 650°F
- Harmless to most plastics, rubbers and metals

Item #	Description	Std Pkg
068-03084	16 oz Dry Moly Lube	12 ea

Ultra-Lite 3-36



- Non-staining formula
- Resists oil, dust and dirt build-up
- Dries out electrical/electronic components
- 360° spray value can be spray from any position
- NSF H2 registered for use in meat and poultry plants

Item #	Description	Std Pkg
068-03160	16 oz 3-36 Ultra-Lite Dry Film Multi-Purpose Lube	12 ea



Power Multi-Purpose Lube



- Provides long lasting lubrication and protection
- Penetrates fast, stops squeaks
- Plastic safe and odor free
- Multi-purpose lubricant
- Displaces moisture

Item #	Description	Std Pkg
068-05006	16 oz Power Multi-Purpose Lube	12 ea

Copper Anti-Seize Compound



- High temperature resistance
- General purpose anti-seize lubrication
- Smooth texture and small particle sizing
- Prevents seizing caused by high temps, heavy loads, vibration and corrosion

Item #	Description	Std Pkg
068-SL35903	16 oz Copper Anti-Seize Brush-Top Bottle	12 ea

Copper Anti-Seize & Lubricating Compound



- Conductive
- General purpose anti-seize lubricant
- Prevents seizing caused by high temperature, heavy loads, vibrations and corrosion

Item #	Description	Std Pkg
068-14095	12 oz Copper Anti-Seize	12 ea

Nickel Anti-Seize Compound



- Premium quality lubricant
- Excellent chemical resistance
- Free of copper, lead, sulfides and chlorides
- High temperature resistance up to 2400° F
- Resists acid and chemical corrosion

Item #	Description	Std Pkg
068-SL35911	8 oz Nickel Anti-Seize Brush-Top Bottle	12 ea
068-SL35913	16 oz Nickel Anti-Seize Brush-Top Bottle	12 ea

Seal Coat Red Urethane Coating



- Dries quickly to a hard, durable, flexible and non-conductive film
- Effective temperature range of 90° F to 250° F
- High surface and volume resistivity
- Abrasion resistant insulator
- High dielectric strength

Item #	Description	Std Pkg
068-18410	16 oz Red Seal Coat Urethane Coating	12 ea

Zinc-It Instant Cold Galvanize



- Actively fights rust and corrosion
- High performance 95% pure zinc
- Fast-drying, dries in 15 minutes
- Use as a touch-up for damaged galvanized coatings
- Excellent weldability

Item #	Description	Std Pkg
068-18412	16 oz Zinc-It Instant Cold Galvanize	12 ea

Spray Adhesive



- Minimal soak-in
- High tack formula
- Good water resistance
- Creates high strength and temporary bonds
- Bonds with foils, plastics, papers, foams, metals, cardboards and cloths

Item #	Description	Std Pkg
068-03018	24 oz Spray Adhesive	12 ea

RTV Silicone Sealant - Clear



- Water-tight seal
- Available in clear, white, blue, red and black
- Seals, bonds, waterproofs and protects quickly and easily

Item #	Description	Std Pkg
068-14055	8 oz Tube RTV Clear Silicone Pressurized	12 ea

RTV Silicone Sealant - Blue



- Water-tight seal
- Available in clear, white, blue, red and black
- Seals, bonds, waterproofs and protects quickly and easily

Item #	Description	Std Pkg
068-14057	8 oz Tube RTV Blue Silicone Pressurized	12 ea

RTV Silicone Sealant - Red



- Water-tight seal
- Available in clear, white, blue, red and black
- Seals, bonds, waterproofs and protects quickly and easily

Item #	Description	Std Pkg
068-14059	8 oz Tube RTV Red Silicone Red Pressurized	12 ea



RTV Silicone Sealant - Black



- Water-tight seal
- Available in clear, white, blue, red and black
- Seals, bonds, waterproofs and protects quickly and easily

Item #	Description	Std Pkg
068-14072	8 oz Tube RTV Black Silicone Pressurized	12 ea

RTV Silicone Cartridges - Clear



- Fast dispensing
- Water-tight seal
- Economical for large jobs
- Self-sealing plug for reuse
- Convenient screw-on-nozzle

Item #	Description	Std Pkg
068-14073	12 oz Cartridge RTV Clear Silicone	12 ea

RTV Silicone Cartridges - Red



- Fast dispensing
- Water-tight seal
- Economical for large jobs
- Self-sealing plug for reuse
- Convenient screw-on-nozzle

Item #	Description	Std Pkg
068-14075	12 oz Cartridge RTV Red Silicone	12 ea

Minimal Expansion Foam



- Fill, seal, bond, retrofit, insulate and deaden sound in and around cracks and cavities
- Forms a permanent, waterproof and airtight bond to most surfaces
- UL classified as a caulking sealant

Item #	Description	Std Pkg
068-14077	16 oz Minimal Expansion Foam	12 ea

Wasp & Hornet Killer



- Accurate up to 15' away
- Fast acting high strength insecticide
- Ergonomic trigger provides control, even with gloves
- Kills wasps, hornets, yellow jackets, bees, fire ants, scorpions, spiders

Item #	Description	Std Pkg
068-14010	20 oz Wasp & Hornet Killer Plus Spray	12 ea

Insect Repellent



- Repels pests up to twice as long as common consumer products
- Helps guard against contracting Lyme Disease when sprayed on exposed skin and clothing
- Flammable

Item #	Description	Std Pkg
068-14011	8 oz Insect Repellent	12 ea

Sta-Lube Air Tool Oil



- Removes harmful deposits
- Reduces rust, varnish and sludge
- For pneumatic equipment and tools

Item #	Description	Std Pkg
068-SL2531	15 oz Bottle Sta-lube Air Tool Oil	12 ea

Sta-Lube Air Tool Oil



- Removes harmful deposits
- Reduces rust, varnish and sludge
- For pneumatic equipment and tools

Item #	Description	Std Pkg
068-SL2533	1 gal Bottle Sta-Lube Air Tool Oil	4 ea

Cutting Oil Lubricant



- For use on all types of metals, including brass, copper and aluminum

Item #	Description	Std Pkg
068-14050	16 oz Cutting Oil Spray	12 ea

Ice-Off De-Icer



- Melts ice, snow and frost on contact
- Effective to sub-zero temperatures
- Harmless to car finish
- Thaws frozen locks

Item #	Description	Std Pkg
068-05346	16 oz Ice-Off Windshield Spray De-Icer	12 ea



Cold Flow Diesel Anti-Gel



- For use in diesel engines
- Highly concentrated formula that inhibits gelling
- Improves flow-ability of diesel fuel in cold weather
- Lowers the pour point by as much as 40 F

Item #	Description	Std Pkg
068-05612	12 oz Cold Flow Diesel Anti-Gel	12 ea

Diesel Fuel Therapy Injector Cleaner



- For use in diesel engines
- Emissions reducing formula
- Cleans injectors, adds lubricity, increases power and MPG

Item #	Description	Std Pkg
068-05212	12 oz Fuel Therapy Injector Cleaner Plus	12 ea

Power Steering Fluid



- A high viscosity, highly compounded oil
- Designed to meet the specifications of Ford, GM, later model Chrysler and most import manufacturers
- Will provide uniform performance over a wide range of temperature

Item #	Description	Std Pkg
068-SL2631	15 oz Power Steering Fluid	12 ea

Air Brake Anti Freeze



- For use in all air-brake systems
- Provides complete winter protection for all brake systems
- Will eliminate and prevent moisture accumulation and icing

Item #	Description	Std Pkg
068-05528	1 gal Air Brake Anti-Freeze Conditioner	4 ea

Jump Start Starting Fluid



- Effective to -65°F
- For gasoline and diesel engines
- Assures fast starts in cold or humid climates
- Upper cylinder lubricant minimizes wear during cold starts

Item #	Description	Std Pkg
068-05671	16 oz Jump Start Starting Fluid	12 ea

Isopropyl Alcohol Cleaner



- Quick drying
- Its 99% pure formula
- For use in industrial, electrical, electronic and aviation applications
- Aggressively dissolves grease, dust, dirt, lint, oils and flux from most non-plastic surfaces

Item #	Description	Std Pkg
068-03201	16 oz Isopropyl Alcohol Precision Cleaner	12 ea

Upside Down Marking Paint



- Clearly and effectively marks the location of underground utilities
- Colors meet the A.P.W.A. One Call International Color Standards
- Safe to use on turf grass, fields, and golf courses

Item #	Description	Std Pkg
068-18204	20 oz Upside Down Marking Paint - Orange	6 ea



Button Plier Fence Tool



- Flat nose with 3 wire cutters, pipe grips, teeth in nose
- Polished head, knurled handles

Item #	Description	Std Pkg
017-10008VN	8" Fence Plier	6 ea

HD Fence Tool Pliers



- Red non-slip cushioned handle grips
- Gun metal, knurled grip handles
- 2 staple grips in nose
- Polished head

Item #	Description	Std Pkg
017-193610CVSMN	10-7/16" HD Fence Pliers Cushion Grip	3 ea

8" HD Diagonal Cutting Plier



- Red non-slip cushion handle grips
- Angled head for offset cutting
- Polished head

Item #	Description	Std Pkg
017-5428CVN	8" HD Diagonal Cutting Plier	6 ea



7" HD Diagonal Cutting Plier



- Flush cutting edges and polished head
- Red non-slip cushion handle grips
- Angled head for offset cutting

Item #	Description	Std Pkg
017-5437CEN	7" Heavy Duty Diagonal Cutting Solid Joint Plier	6 ea

8-1/2" Linesman Round Nose Pliers



- Cutting Edges Cut Clean and Remain Sharp
- Electronically Induction Hardened, Durable and Hand Honed
- Made of Forged Alloy Steel

Item #	Description	Std Pkg
017-21508CVN	8-1/2" Hi Leverage Linesman's Pliers	1 ea

8" Pro Series Diagonal Cutting Pliers



- Chrome Vanadium Steel
- Induction Hardened Edges
- 1/3 Lighter Than Standard Pliers
- Co-Molded Grips for Added Comfort
- Increase Cutting Pressure by 50%

Item #	Description	Std Pkg
017-PS5429C	8" Diagonal Cutting Pliers Pro-Series	36 ea

Cee Tee Slip Joint Plier



- Curved jaws combination
- Nickel chrome plated finish
- Non-slip knurled handle grips
- Machined gripping teeth and wire cutter

Item #	Description	Std Pkg
017-H26N	6-1/2" Slip Joint Plier	12 ea
017-H28N	8" Cee Tee Slip Joint Plier	12 ea

Tongue & Groove Plier



- Riveted joint will not separate or jump out of grooves
- Straight jaws and self-locking jaw adjustment

Item #	Description	Std Pkg
017-R212CV	12" Tongue and Groove Plier	6 ea

Chrome Adjustable Wrench



- Polished head and regular, satin finished handle
- Chrome plated finish resists rust and corrosion
- Wider handle and wide capacity jaw

Item #	Description	Std Pkg
017-AC110	10" Chrome Adjustable Wrench	6 ea
017-AC112	12" Chrome Adjustable Wrench	6 ea
017-AC115	15" Chrome Adjustable Wrench	1 ea
017-AC118	18" Chrome Adjustable Wrench	1 ea
017-AC124	24" Chrome Adjustable Wrench	1 ea
017-AC14	4" Chrome Adjustable Wrench	6 ea
017-AC16	6" Chrome Adjustable Wrench	6 ea
017-AC18	8" Chrome Adjustable Wrench	6 ea

Chrome Adjustable Wrench - Cushion Grip



- Chrome plated finish resists rust and corrosion
- Polished head and red non-slip cushion grip
- Wide capacity jaw and wider handle

Item #	Description	Std Pkg
017-AC112C	12" Adjustable Wrench - Cushion Grip	6 ea
017-AC115C	15" Adjustable Wrench - Cushion Grip	6 ea
017-AC14C	4" Adjustable Wrench - Cushion Grip	6 ea
017-AC16C	6" Adjustable Wrench - Cushion Grip	6 ea

Black Oxide Adjustable Wrench



- Black oxide finish resists corrosion
- Wide capacity jaw and wider handle
- Polished head and regular handle, non-slip grip

Item #	Description	Std Pkg
017-AT110	10" Black Adjustable Wrench	6 ea
017-AT112	12" Black Adjustable Wrench	6 ea
017-AT115	15" Black Adjustable Wrench	1 ea
017-AT118	18" Black Adjustable Wrench	1 ea
017-AT14	4" Black Adjustable Wrench	6 ea
017-AT16	6" Black Adjustable Wrench	6 ea
017-AT18	8" Black Adjustable Wrench	6 ea

Replacement Jaw



- AC115J – Replacement jaw for AC115
- AC118J – Replacement jaw for AC118

Item #	Description	Std Pkg
017-AC115J	Adjustable Wrench Jaw for 15"	1 ea
017-AC118J	18" Adjustable Replacement Jaw	1 ea



14pc SAE Combo Wrench Set - 12pt



- Chrome Vanadium Alloy Steel
- Off Corner Loading Technology on Box-End
- Sizes Stamped on Both Sides
- Nickel Chrome Plated
- Mirror Polish Finish

Item #	Description	Std Pkg
017-CCWS4	14 pc Combo Wrench Set 3/8" - 1-1/4"	1 ea

148 pc Mechanics Tool Set



- 1/4", 3/8" and 1/2" quick release ratcheting drives
- Standard and deep sockets in both SAE and metric sizes
- Contains all tools needed for most industrial applications

Item #	Description	Std Pkg
017-CTK148MP	148 pc Professional Tool Set	2 ea

170 pc Mechanics Tool Set



- 1/4", 3/8" and 1/2" quick release ratcheting drives
- Standard and deep sockets in both SAE and metric sizes
- Contains all tools needed for most industrial applications

Item #	Description	Std Pkg
017-CTK170MP	170 pc Mechanic's Tool Set	2 ea

30pc Mechanics Tool Set



- 3/8" Drive
- 12 point
- SAE/Metric
- Standard & Deep Sockets

Item #	Description	Std Pkg
017-CTK30SET	30 pc Professional Tool Kit 3/8" Dr	4 ea

21 pc Mechanics Tool Set



- Heavy-duty 24 tooth ratchet with quick release socket retention button
- Ratchet has non-slip knurled handle
- Durable molded storage case
- Polished chrome vanadium steel construction

Item #	Description	Std Pkg
017-CTK21SAE	21 pc 3/4" Drive Mechanic's Tool Set	1 ea



G-450 Wire Rope Clip



- Best know brand in the industry
- Meets ASME B3.26 requirements
- Galvanized clip to resist corrosion
- Federal specs FFC-450 type 1, class 1

Item #	Description	Std Pkg
112-1010015	G-450 1/8" Wire Rope Clip	100 ea
112-1010033	G-450 3/16" Wire Rope Clip	100 ea
112-1010051	G-450 1/4" Wire Rope Clip	100 ea
112-1010079	G-450 5/16" Wire Rope Clip	100 ea
112-1010097	G-450 3/8" Wire Rope Clip	100 ea
112-1010131	G-450 1/2" Wire Rope Clip	50 ea
112-1010159	G-450 9/16" Wire Rope Clip	50 ea
112-1010177	G-450 5/8" Wire Rope Clip	50 ea
112-1010195	G-450 3/4" Wire Rope Clip	25 ea
112-1010211	G-450 7/8" Wire Rope Clip	25 ea
112-1010239	G-450 1" Wire Rope Clip	10 ea
112-1010257	G-450 1-1/8" Wire Rope Clip	10 ea
112-1010319	G-450 1-1/2" Wire Rope Clip	10 ea

Screw Pin Shackle - G-209/S-209



- Hot dipped galvanized
- Forged, quenched and tempered
- Meets ASME B30.26 requirements
- WLL permanently on the shackle body

Item #	Description	Std Pkg
112-1018375	G-209 1/4" Screw Pin Shackle	Bulk
112-1018393	G-209 5/16" Screw Pin Shackle	Bulk
112-1018419	G-209 3/8" Screw Pin Shackle	Bulk
112-1018437	G-209 7/16" Screw Pin Shackle	Bulk
112-1018455	G-209 1/2" Screw Pin Shackle	Bulk
112-1018473	G-209 5/8" Screw Pin Shackle	Bulk
112-1018491	G-209 3/4" Screw Pin Shackle	Bulk
112-1018516	G-209 7/8" Screw Pin Shackle	Bulk
112-1018534	G-209 1" Screw Pin Shackle	Bulk
112-1018543	S-209 1" Screw Pin Shackle	Bulk
112-1018552	G-209 1-1/8" Screw Pin Shackle	Bulk
112-1018570	G-209 1-1/4" Screw Pin Shackle	Bulk
112-1018598	G-209 1-3/8" Screw Pin Shackle	Bulk

G-2130 Bolt Type Shackle



- Hot-dipped galvanized
- Forged, quenched, and tempered
- Meets ASME B30.26 requirements

Item #	Description	Std Pkg
112-1019470	G-2130 3/8" Bolt Type Shackle	Bulk
112-1019472	G-2130 1/2" Bolt Type Shackle	Bulk
112-1019490	G-2130 5/8" Bolt Type Shackle	Bulk
112-1019515	G-2130 3/4" Bolt Type Shackle	Bulk
112-1019533	G-2130 7/8" Bolt Type Shackle	Bulk
112-1019551	G-2130 1" Bolt Type Shackle	Bulk
112-1019579	G-2130 1-1/8" Bolt Type Shackle	Bulk
112-1019613	G-2130 1-3/8" Bolt Type Shackle	Bulk
112-1019631	G-2130 1-1/2" Bolt Type Shackle	Bulk



G-429 Fist Grip



- Saddle made from forged steel
- Entire clip to resist corrosion and rust
- Assembled with standard HD hex nuts
- Meets federal specs FFC-450 type III, class 1

Item #	Description	Std Pkg
112-1010471	G-429N 3/16" -1/4" Fist Grip	100 ea
112-1010499	G-429N 5/16" Fist Grip	100 ea
112-1010514	G-429N 3/8" Fist Grip	50 ea
112-1010532	G-429N 7/16" -1/2" Fist Grip	50 ea
112-1010550	G-429N 9/16" -5/8" Fist Grip	50 ea
112-1010578	G-429 3/4" Fist Grip	25 ea
112-1010596	G-429 7/8" Fist Grip	25 ea
112-1010612	G-429 1" Fist Grip	10 ea
112-1010630	G-429 1-1/8" Fist Grip	10 ea
112-1010658	G-429 1-1/4" Fist Grip	10 ea
112-1010676	G-429 1-3/8" Fist Grip	10 ea

418 Hook Snatch Block



- Fatigue rated
- Bronze bushing
- Forged alloy heat-treated
- Pressure lube fitting for sheave

Item #	Description	Std Pkg
112-108038	418 2 Ton Snatch Block 3" w/Hook	1 ea
112-108065	418 Snatch Block 4-1/2" w/Hook	1 ea

419 Shackle Snatch Block



- Fatigue rated
- Bronze bushing
- Fitted with a swivel eye
- Pressure lube fitting for sheave
- Side opens for easy rope insertion while suspended

Item #	Description	Std Pkg
112-109037	419 Block 3" w/Swivel	1 ea
112-109064	419 Block 4-1/2" w/Shackle	1 ea
112-109091	419 Block 3" w/Shackle	1 ea
112-109126	419 Block 6" w/Shackle	1 ea

404 Tail Board Snatch Block



- Fatigue rated
- Bronze bushing
- Without hook or shackle
- Side open for easy loading
- Pressure lube fitting for sheave

Item #	Description	Std Pkg
112-102016	404 Tail Board 3"	1 ea
112-102025	404 Tail Board 4-1/2"	1 ea
112-102098	404 Tail Board 6"	1 ea

430 Hook Snatch Block



- Bronze bearing
- 20 ton work load limit
- Uses 26 to 28 mm wire rope
- Drop forged heat treated swivel hook

Item #	Description	Std Pkg
112-120023	430 20 Ton Snatch Block 8"	1 ea

443 Laydown Block



- All steel construction
- Used to lay-down drill pipe
- Sheaves grooved for 3/4" wire line
- Hook made to fit into end of drill pipe

Item #	Description	Std Pkg
112-171432	#443 1/2 Ton Lay Down Block 6"	1 ea

Swivel Eye Hay Fork Pulley



- Painted
- 1 Ton working load limit
- Swivel forged steel eye
- Furnished with roller bearing

Item #	Description	Std Pkg
112-170086	HF-2 Pulley Hay Fork 4-1/2"	1 ea
112-170200	HF-4 Pulley Hay Fork 4-1/2"	1 ea

S-264 Pad Eye



- Forged 1035 carbon steel
- Quenched and tempered

Item #	Description	Std Pkg
112-1090740	S-264 Size 1 Pad Eyes	Bulk
112-1090786	S-264 Size 2 Pad Eyes	Bulk
112-1090802	S-264 Size 4 Pad Eyes	Bulk
112-1090820	S-264 Size 5 Pad Eyes	Bulk

G-335/S-335 Missing Link



- Forged steel material
- Hot dipped galvanized
- Not for over head lifting
- Quenched and tempered

Item #	Description	Std Pkg
112-1013138	G-335 5/16" Missing Link	10 ea
112-1013147	S-335 5/16" Missing Link	10 ea
112-1013156	G-335 3/8" Missing Link	10 ea

A-1337 Connecting Link



- Fatigue rated
- Forged alloy steel
- Grade 100, can be used with grade 80 and 100 chain

Item #	Description	Std Pkg
112-1015113	A-1337 5/16" Connecting Link	Bulk
112-1015122	A-1337 3/8" Connecting Link	Bulk
112-1015136	A-1337 1/2" Connecting Link	Bulk

C.S. OSBORNE CO.

Flexible Packing Hook



- Corkscrew tip is permanently attached
- Two spiral steel shafts, one inside the other, wound in opposite directions

Item #	Description	Std Pkg
022-1204-0	#0 Flexible Packing Hook	12 ea
022-1204-1	#1 Flexible Packing Hook	12 ea
022-1204-2	#2 Flexible Packing Hook	12 ea
022-1204-3	#3 Flexible Packing Hook	12 ea
022-1204-4	#4 Flexible Packing Hook	12 ea
022-1204-5	#5 Flexible Packing Hook	12 ea

Flexible Packing Hook - Replaceable Tip



- The hooks are strongly made of the toughest materials
- Corkscrew tip is tempered and threaded to the shaft

Item #	Description	Std Pkg
022-1104F-2	#2 Flexible Packing Hook - Replaceable Tip	12 ea

Flexible Packing Hook Set



- Includes one each of the following:
- 1204-1, 1204-2, 1204-3 flexible packing hooks

Item #	Description	Std Pkg
022-1203	3 pc Flexible Packing Hook Set	1 set

Pouring Ladle



- Double lipped bowls
- Heavy quality for long use
- Iron, lead, aluminum, bronze and beryllium
- Steel handles are blacksmith welded to the bowls

Item #	Description	Std Pkg
022-373-3	3" Pouring Ladle w/11.5" Handle	1 ea
022-373-4	4" Pouring Ladle w/16" Handle	1 ea
022-373-5	5" Pouring Ladle w/20.5" Handle	1 ea
022-373-6	6" Pouring Ladle w/20.5" Handle	1 ea

Arch Punch Set



- Rounded Tips
- Sizes included: 1/4", 3/8", 1/2", 3/4", 7/8", 1"

Item #	Description	Std Pkg
022-K-14	7 pc Arch Punch Set	1 ea

Self Centering Punch Set



- Cuts: Leather, rubber, plastic, paper, and other soft material
- Ideal for cutting concentric washers
- Sturdy plastic storage box included

Item #	Description	Std Pkg
022-K-156	11 pc Self-Centering Punch Set	1 ea

Transfer Punch Set



- Set consists of 28 Sizes
- Sturdy plastic pouch included
- Used for accurate transferring of threaded, drilled or tapped holed

Item #	Description	Std Pkg
022-K-358	28 pc Transfer Punch Set	1 ea



Ball Pein Hammer



- Aluminum Bronze (AlBr)
- Copper Beryllium (CuBe)

Item #	Description	Std Pkg
040-EX101U-0100A	1 lb Ball Pein Hammer w/14" Handle	1 ea
040-EX101U-0150A	1.5 lb Ball Pein Hammer w/14" Handle	1 ea
040-EX101U-0200A	2 lb Ball Pein Hammer w/14" Handle	1 ea
040-EX101U-0225A	2.25 lb Ball Pein Hammer w/14" Handle	1 ea
040-EX101U-0275A	2.75 lb Ball Pein Hammer w/14" Handle	1 ea

Sledge Hammer



- Aluminum Bronze (AlBr)
- Copper Beryllium (CuBe)

Item #	Description	Std Pkg
040-EX104U-0300A	3 lb Sledge Hammer w/15" Handle	1 ea
040-EX104U-0500A	5 lb Sledge Hammer w/34" Handle	1 ea
040-EX104U-0750A	7.5 lb Sledge Hammer w/34" Handle	1 ea
040-EX104U-1000A	10 lb Sledge Hammer w/34" Handle	1 ea
040-EX104U-1500A	15 lb Sledge Hammer w/34" Handle	1 ea
040-EX104U-1800A	18lb Sledge Hammer w/34" Handle	1 ea



Club Hammer



- Aluminum Bronze (AlBr)
- Copper Beryllium (CuBe)

Item #	Description	Std Pkg
040-EX108U-0400A	4 lb Club Hammer w/16" Handle	1 ea

Flange Banana Wedge



- Aluminum Bronze (AlBr)
- Copper Beryllium (CuBe)

Item #	Description	Std Pkg
040-EX1101BH-20B	3/4" x 12" Flange Banana Wedge w/Lanyard Hole	1 ea

Flange Wedge



- Aluminum Bronze (AlBr)
- Copper Beryllium (CuBe)

Item #	Description	Std Pkg
040-EX1101U-1A	1/4" x 1/2" x 3" Flange Wedge	1 ea
040-EX1101U-4A	3/4" x 1-1/2" x 6" Flange Wedge	1 ea
040-EX1101U-9A	3/4" x 2" x 8" Flange Wedge	1 ea

Flange Wedge w/Lanyard Hole



- 1" x 1-1/2" x 8"
- Aluminum Bronze

Item #	Description	Std Pkg
040-EX1101U-8A	1/4" x 1-1/2" x 8" Flange Wedge	1 ea

Bung Wrench



- Aluminum Bronze (AlBr)
- Copper Beryllium (CuBe)

Item #	Description	Std Pkg
040-EX110S-385A	15" Bung Wrench Fits 22 Different Bungs	1 ea

Offset Striking Wrench



- Aluminum Bronze (AlBr)
- Copper Beryllium (CuBe)

Item #	Description	Std Pkg
040-EX201F-015UA	1-1/4" 12 Point Offset Striking Wrench	1 ea
040-EX201F-020UA	1-7/16" 12 Point Offset Striking Wrench	1 ea

Adjustable Wrench



- Aluminum Bronze (AlBr)
- Copper Beryllium (CuBe)

Item #	Description	Std Pkg
040-EX501-12A	12" Adjustable Wrench	1 ea
040-EX501-6A	6" Adjustable Wrench	1 ea

Slip Joint Plier



- Aluminum Bronze (AlBr)
- Copper Beryllium (CuBe)

Item #	Description	Std Pkg
040-EX605-8A	8" Slip Joint Plier	1 ea

Putty Knife



- Aluminum Bronze (AlBr)
- Copper Beryllium (CuBe)

Item #	Description	Std Pkg
040-EX408-100A	3.5" Putty Knife K-31	1 ea
040-EX408-30A	1-1/2" Putty Knife K-21	1 ea
040-EX408-50A	2" Brass Putty Knife K-20	1 ea

Pinch Bar



- Aluminum Bronze (AlBr)
- Copper Beryllium (CuBe)

Item #	Description	Std Pkg
040-EX1301-800A	7/8" x 32" Pinch Bar	1 ea



Square Point Shovel



- Aluminum Bronze (AlBr)
- Copper Beryllium (CuBe)

Item #	Description	Std Pkg
040-EX1005-250A	47" Long Handle Square Point Shovel	1 ea

Round Point Shovel



- Aluminum Bronze (AlBr)
- Copper Beryllium (CuBe)

Item #	Description	Std Pkg
040-EX1006-243A	47" Long Handle Round Point Shovel	1 ea



190K Transit Level Kit



- 20X power magnification 1
- 15 minute horizontal circle
- Includes quick clamp tripod
- Telescoping level

Item #	Description	Std Pkg
131-54-190K	20x Transit Level Kit	1 ea



Carb Cleaner



- Flammable
- Safe for oxygen sensors
- Cleans fuel injector throttle plates
- Powerful solvent spray removes varnish, carbon, dirt

Item #	Description	Std Pkg
196-C-1	12.5 oz Carb Clean	12 ea

Brake Cleaner



- One can cleans all 4 brakes
- Quick drying and super strong cleaner
- Cuts through grease, grime and varnish
- Eliminates chlorinated solvent concerns in waste oil disposal

Item #	Description	Std Pkg
196-C-111	14 oz Brake & Parts Clean Non-Chlorinated	12 ea

Cleaner & Anti-Freeze



- All-season product
- 100% concentrate formula
- Winter anti-freeze and summer cleaner
- Custom blend solvent to match weather conditions

Item #	Description	Std Pkg
196-C-207	Cleaner & Anti-Freeze	12 ea

Fast Penetrating Oil



- NSF certified
- Pure oil blend
- Contains no silicone
- Fast penetrating oil and lubricant
- Breaks loose rusted joints and bolts
- Controls rust, corrosion and squeaks

Item #	Description	Std Pkg
196-C-10	13 oz Break Away Fast Penetrating Oil	12 ea

Threadlocker Medium Strength - 10ml



- All purpose
- Break/prevail: 115/53
- Anaerobic threadlocker
- For fasteners 1/4" to 3/4"
- For most nut and bolt applications

Item #	Description	Std Pkg
196-C-24210	10 ml Blue Threadlocker Medium Strength	6 ea

Threadlocker Medium Strength - 50ml



- All purpose
- Break/prevail: 115/53
- Anaerobic threadlocker
- For fasteners 1/4" to 3/4"
- For most nut and bolt applications

Item #	Description	Std Pkg
196-C-24250	50 ml Blue Threadlocker Medium Strength	6 ea

Threadlocker High Strength - 10ml



- Break/prevail: 239/266
- For fasteners 3/8" to 1"
- Anaerobic threadlocker
- Ideal for harsh chemical or environmental conditions

Item #	Description	Std Pkg
196-C-27110	10 ml Red Threadlocker High Strength	6 ea



Threadlocker High Strength - 50ml



- Break/prevail: 239/266
- For fasteners 3/8" to 1"
- Anaerobic threadlocker
- Ideal for harsh chemical or environmental conditions

Item #	Description	Std Pkg
196-C-27150	50 ml Red Threadlocker High Strength	6 ea

Threadlocker High Temp - 50ml



- For fasteners 3/8" to 1"
- Anaerobic threadlocker
- Break/prevail (inch/pounds): 213/230
- Ideal for high performance applications
- For extreme temperatures & heat stress applications

Item #	Description	Std Pkg
196-C-27250	50 ml Red Threadlocker High Temp	6 ea

UltraWeld Black Silicone



- Pressure resistant
- Low volatile formula
- Oxygen sensor-safe
- Forms instant leakproof gaskets on all engines

Item #	Description	Std Pkg
196-C-951	3 oz Black RTV Silicone Tube Carded	12 ea

UltraWeld Red Silicone



- Pressure resistant
- Low volatile formula
- Oxygen sensor-safe
- Forms instant leakproof gaskets on all engines

Item #	Description	Std Pkg
196-C-952	3 oz Red RTV Silicone Tube Carded	12 ea

UltraWeld Clear Silicone



- Pressure resistant
- Low volatile formula
- Oxygen sensor-safe
- Forms instant leakproof gaskets on all engines

Item #	Description	Std Pkg
196-C-953	3 oz Clear RTV Silicone Tube Carded	12 ea

UltraWeld Blue Silicone



- Pressure resistant
- Low volatile formula
- Oxygen sensor-safe
- Forms instant leakproof gaskets on all engines

Item #	Description	Std Pkg
196-C-956	3 oz Blue RTV Silicone Tube Carded	12 ea

White Grease Lithium Lubricant



- Long lasting & stays pliable
- Reduces wears & stops squeaks
- Repels moisture to protect against rust

Item #	Description	Std Pkg
196-C-34	11.5 oz White Grease Lithium Lubricant	12 ea

Max Clean Foaming Multi-purpose Cleaner



- Multi-purpose foaming cleaner
- Deep cleaning action
- Spray on, wipe off

Item #	Description	Std Pkg
196-C-392	18 oz Max Clean Foaming Multi-purpose Cleaner	12 ea

Air Break Anti-Freeze - 32oz



- No residues
- Moisture remover
- Dissolves ice on contact
- Keeps air line system working
- Protection for air brake systems

Item #	Description	Std Pkg
196-C-97	32 oz Air Break Anti-Freeze & Dryer	12 ea

Air Break Anti-Freeze - 1gal



- No residues
- Moisture remover
- Dissolves ice on contact
- Keeps air line system working
- Protection for air brake systems

Item #	Description	Std Pkg
196-C-98	1 gal Air Break Anti-Freeze & Dryer	4 ea



Red Grease



- Protects & lubricates
- Up to 400°F working temperature
- Red coloring provides easy visual inspection

Item #	Description	Std Pkg
196-C-123	10.5 oz Red Grease	6 ea



Pot & Pan Detergent - 38 oz



- Gentle on hands
- High-sudsing formulas
- Will not create harsh fumes
- Contains no phosphates or chlorine
- Detergent fights grease while leaving pots, pans, and dishes clean

Item #	Description	Std Pkg
182-16905112	38 oz Liquid Dish Soap 45112	8 ea

Pot & Pan Detergent - 1 gal



- Reduce sink change overs by up to 35%
- Specifically formulated for tough business jobs
- Saves up to 6,000 gallons of hot water per year
- Long-lasting suds clean up to 58% more dishes per sink

Item #	Description	Std Pkg
182-16900339	1 gal Pot & Pan Detergent 57445	4 ea

Pot & Pan Detergent - 5 gal



- Reduce sink change overs by up to 35%
- Specifically formulated for tough business jobs
- Saves up to 6,000 gallons of hot water per year
- Long-lasting suds clean up to 58% more dishes per sink

Item #	Description	Std Pkg
182-16900134	5 gal Pot & Pan Detergent 02611	1 ea



Mini Mule



- 2-in-1 Model
- Easy change over
- Single or double drive
- Converts to a 1 or 2 ton capacity

Item #	Description	Std Pkg
125-MM1212CDD	1-2 Ton Heavy Duty, Double Drive	1 ea



1/2" VSR Drill - DW235G



- 360° side handle
- Two-finger trigger
- Metal gear housing
- Helical-cut steel, heat-treated steel gears

Item #	Description	Std Pkg
041-DW235G	1/2" 0-850 RPM VSR Drill 3 wire plug 7.8 amp	1 ea

1/2" VSR Drill - DWD210G



- 10 amp motor
- Metal-gear housing
- Soft grip handle and two-finger trigger
- 360° locking side handle with soft grip
- 0-1250 RPM, variable speed reversing switch

Item #	Description	Std Pkg
041-DWD210G	1/2" VS Corded Drill 10 Amp	1 ea

1/2" Hammerdrill Kit



- High/low gear
- 7.8 Amp motor
- Variable speed
- Two-finger trigger
- Dual mode: hammerdrill/drill
- 360° side handle with depth rod

Item #	Description	Std Pkg
041-DW505K	1/2" VSR Hammerdrill 7.8 amp Kit	1 ea

1/2" Spade Handle Drill



- 0-550 RPM
- 9.0 AMPS, 120V motor
- 3-position side handle
- 2-position rear spade handle

Item #	Description	Std Pkg
041-DW130V	1/2" VSR 550 Rpm/rev Spade Handle Drill 9.0 Amp	1 ea

2,000 RPM VSR Screwgun



- Two-finger trigger
- High power motor
- Metal nose and gear case
- Helical-cut steel and heat-treated gears
- Versa-Clutch® torque adjustment system

Item #	Description	Std Pkg
041-DW267	6.5 amp VSR Screwgun Versa-clutch,0-2000 RPM	1 ea



20V Max Drill/Driver Kit



- Ergonomic handle
- 1/2" ratcheting chuck
- Compact, lightweight design
- High-speed transmission
- 2 speeds (0-600 & 0-2,000 rpm)

Item #	Description	Std Pkg
041-DCD780C2	20V Max Li-Lon Compact Drill Driver Kit	1 ea

18V 1/2" Drill/Driver Kit



- XRP™ extended run-time batteries
- Heavy-duty 1/2" ratcheting chuck
- 450 unit watts out of max power

Item #	Description	Std Pkg
041-DCD940KX	18V 1/2" Cordless XRP Drill Driver Kit	1 ea

18V 1/2" Drill/Driver Kit



- LED worklight
- 3-speed, all-metal transmission
- High power, high efficiency motor
- XRP™ extended run-time batteries
- Heavy-duty 1/2" metal ratcheting chuck

Item #	Description	Std Pkg
041-DCD950KX	18v 1/2 Cordless XRP Hammerdrill/Driver Kit	1 ea

20V Max Brushless Drill/Driver Kit



- 3-Mode LED
- 3-speed transmission
- 57% more run time with brushless motor vs brushed
- Heavy-duty 1/2" ratcheting nitro-carburized metal chuck

Item #	Description	Std Pkg
041-DCD991P2	20V MAX XR Lithium Ion Brushless Drill/Driver Kit	1 ea

1/2" Impact Wrench



- 1/2" detent pin anvil
- Forward/reverse rocker switch
- 345 ft-lbs of max fastening torque
- Soft grip handle for increased comfort

Item #	Description	Std Pkg
041-DW292	1/2" Impact Wrench w/Detent Pin Anvil	1 ea

3/4" Impact Wrench



- 3/4" detent pin anvil
- Forward/reverse rocker switch
- 345 ft-lbs of max fastening torque
- Soft grip handle for increased comfort

Item #	Description	Std Pkg
041-DW294	3/4" Impact Wrench w/Detent Pin Anvil	1 ea

20V Max 1/2" Impact Wrench Kit



- 1/2" Anvil with detent pin
- LED light with 20-second delay
- Up to 700 ft-lbs of max torque
- 1200 ft-lbs of max breakaway torque
- Multi-speed control (0-400/ 1,200/ 1,900 RPM)

Item #	Description	Std Pkg
041-DCF899P1	20v Max XR Brushless High Torque 1/2" Impact Kit	1 ea

20V Max Drill/Driver & Impact Driver Combo Kit



Includes:

- DCD780 1/2" Drill/Driver
- DCF885 1/4" Impact Driver
- (2) 20V MAX Battery Packs
- Battery Charger
- (2) Belt Hooks, Contractor Bag

Item #	Description	Std Pkg
041-DCK280C2	1/2" 20V Max Drill/Driver & Impact Driver Combo Kit	1 ea

20V Max Hammerdrill & Impact Driver Combo Kit



Includes:

- DCD996 20V MAX 3-Speed 1/2" Hammerdrill
- DCF887 20V MAX 1/4" Impact Driver
- (2) DCB204 20V MAX Batteries
- Battery Charger, (2) Belt Hooks
- 360° side handle, Contractor Bag

Item #	Description	Std Pkg
041-DCK299M2	20V Max Hammerdrill & Impact Driver Combo Kit	1 ea

20V Max XR Compact 4-Tool Combo Kit



Includes:

- Hammer drill, Impact driver
- Reciprocating saw, Flashlight
- (2) 20V MAX* 5Ah batteries

Item #	Description	Std Pkg
041-DCK494P2	20V MAX Brshles 4 Tool Combo Kit	1 ea



21 pc Titanium Drill Bit Set



- Titanium Coating for Longer Life
- Patented Pilot Point Tip Starts on Contact

Item #	Description	Std Pkg
041-DW1361	21 pc Titanium Pilot Pt Drill Bit Set	1 ea

Impact Ready Nut Drivers



- Recessed Corners
- Industrial strength magnet
- Use in Impact Drivers and Wrenches

Item #	Description	Std Pkg
041-DW2235IR	5 pc Impact Nut Runner Set Magnetized	1 ea

18V XRP Battery Pack



- Powers entire DEWALT® line of 18V tools
- High capacity XRP™ battery has 25% more run-time than standard NiCAD batteries

Item #	Description	Std Pkg
041-DC9096	18v Battery Only 2.4 Ah Ni-Cd XRP	1 ea

18V XRP Battery Combo Pack



- Powers entire DEWALT® line of 18V tools
- (2) High capacity XRP™ battery has 25% more run-time than standard NiCAD batteries

Item #	Description	Std Pkg
041-DC9096-2	18V XRP Battery Combo Pack	1 ea

18V-20V Battery Adapter



- Use with 20V MAX DEWALT charger
- 20V MAX batteries works in most 18V DEWALT tools

Item #	Description	Std Pkg
041-DCA1820	18V-20V Battery Adapter	1 ea

12V Max-20V Max Battery Charger



- Charges battery in 90 mins or less
- Charges all DEWALT 12V - 20V MAX Batteries

Item #	Description	Std Pkg
041-DCB115	12V-20V Battery Charger	1 ea

20V Max Battery Combo Pack



- 3-LED fuel gauge system
- No memory and virtually no self-discharge

Item #	Description	Std Pkg
041-DCB204-2	20V Max 4.0 AH LI-ION Battery 2-pk	1 ea

2" 2-Speed Magnetic Drill Press



- 4-3/8" Drill travel
- Motor height adjustment
- Quick Change Chuck system
- Quick Release feed handles
- 10.0 Amp Motor with 2-Speeds
- Magnetic coolant bottle

Item #	Description	Std Pkg
041-DWE1622K	2-Speed Magnetic Drill Press	1 ea

4-1/2" Angle Grinder



- Quick-Change™ wheel release
- 2-position removable side handle
- 7 amp AC/DC, 12,000 rpm motor
- One-Touch™ guard Hex wrench

Item #	Description	Std Pkg
041-DWE4011	4-1/2" Grinder 7 Amp 12,000 RPM Slide Switch	1 ea

4-1/2" Angle Grinder



- 11 Amp AC/DC - 11,000 RPM
- Quick-Change™ Wheel Release
- Paddle switch with safety lock-off
- Top mounted spindle lock button
- One-Touch™ Guard

Item #	Description	Std Pkg
041-DWE402	4-1/2" Angle Grinder 11amp w/paddle Switch	1 ea

4-1/2" Angle Grinder



- Dust Ejection System
- No Lock-On Paddle switch
- Quick-Change wheel release
- 11 Amp AC/DC - 11,000 RPM
- One-Touch Guard allows

Item #	Description	Std Pkg
041-DWE402N	4-1/2" Paddle Switch Grinder, No Lock-On	1 ea



5" Angle Grinder



- Adjustable guard
- Rear handle design
- External brush caps
- High power-to-weight ratio
- 12 amp AC/DC, 10,000 rpm motor

Item #	Description	Std Pkg
041-DW831	5" 10,000 RPM Medium Angle Grinder	1 ea

7" Angle Grinder



- Adjustable guard
- Rear handle design
- Spindle lock button
- 13.0 Amp AC/DC, 8,000 rpm motor

Item #	Description	Std Pkg
041-DW840	7" 8,000 RPM Medium Angle Grinder	1 ea

7" Angle Grinder



- Low-profile gearcase
- 2-position side handle
- Automatic turn-off brushes
- Epoxy coated field and armature
- High power 4 HP (8,500 rpm motor)

Item #	Description	Std Pkg
041-DWE4517	7" Angle Grinder 4HP 8,000 RPM W/trigger Lock	1 ea

7" Angle Grinder



- 4.7 HP - 8,500 RPM
- Thick, "S" style cord
- 3-position side handle
- Dust Ejection System™
- Anti-vibe trigger handle
- Quick-Change™ guard

Item #	Description	Std Pkg
041-DWE4557	7" 8,500 RPM 4.5HP Angle Grinder	1 ea

9" Angle Grinder



- 4.7 HP - 6,500 RPM
- Thick, "S" style cord
- 3-position side handle
- Anti-vibe trigger handle
- Quick-Change™ guard
- Gear case grip for pipeliners

Item #	Description	Std Pkg
041-DWE4559CN	9" 6,500 RPM 4.5HP Angle Grinder, No lock on	1 ea

20V Max Grinder Tool Kit



- 8,000 rpm motor
- 2-position side handle
- 5.0 amp hour batteries (2)
- Quick-Change™ Wheel Release
- 2-finger trigger switch (w/ lock-off button)

Item #	Description	Std Pkg
041-DCG412P2	20V MAX* Lithium Ion Grinder Tool Kit	1 ea

4-1/2" Cordless Cut-Off Tool



- 8,000 rpm
- 2-position side handle
- Low profile, jam-pot gear case
- Quick-Change™ Wheel Release
- Trigger switch with lock-off button

Item #	Description	Std Pkg
041-DC411KA	18v 4-1/2" Cordless Cut-Off Tool	1 ea

4-1/2" High Power Grinder



- 11,000 RPM Rating/13 Amp Motor
- Keyless adjustable guard
- Lock On paddle switch
- Vibration reducing side handle
- Quick-Change wheel release

Item #	Description	Std Pkg
041-DWE43114	4-1/2" High Power Grinder - Lock-on Switch	1 ea

4-1/2" - 5" Grinder



- E-Clutch™
- 13 Amp - 11,000 RPM
- Dust Ejection System
- Power Loss Reset®
- Paddle Switch

Item #	Description	Std Pkg
041-DWE43114N	4-1/2"-5" High Power Grinder	1 ea

4-1/2" High Power Grinder



- 13 Amp Motor
- 11,000 RPM Rating
- E-Clutch™
- Dust Ejection System

Item #	Description	Std Pkg
041-DWE43115	4-1/2" HP Trigger Grip Grinder - Lock-On Switch	1 ea



4-1/2" High Power Grinder



- 13 Amp - 11,000 RPM
- No Lock-on switch
- Dust Ejection System
- E-Clutch™

Item #	Description	Std Pkg
041-DWE43115N	4-1/2" HP Trigger Grip Grinder No Lock-On Switch	1 ea

6" High Power Grinder



- 13 Amp Motor, 9,000 RPM
- E-Clutch™
- Dust Ejection System

Item #	Description	Std Pkg
041-DWE43144	6" Grinder 13 Amp 9,000 RPM - Lock-On Switch	1 ea

6" High Power Grinder



- 13 Amp - 9,000 RPM
- No Lock-on switch
- E-Clutch™
- Dust Ejection System

Item #	Description	Std Pkg
041-DWE43144N	6" Grinder 13 Amp 9,000 RPM No Lock-On Switch	1 ea

Flexvolt 60V Max Grinder Kit



Includes:

- DCG414 Grinder
- (2) DCB606 Batteries, Fast Charger, 4-1/2" Type 27 Wheel & Guard, 6" Type 27 Guard, Wrench, Flanges, Side Handle, Kitbag

Item #	Description	Std Pkg
041-DCG414T2	Flexvolt 60V Grinder 2 Battery Kit	1 ea

1-1/2" Die Grinder



- Precision 1/4" collet
- 4.2 Amp, 25,000 RPM motor
- Paddle switch w/lock-on button
- AC/DC capacity

Item #	Description	Std Pkg
041-DWE4887	1-1/2" Die Grinder - Lock-On Switch	1 ea

1-1/2" Die Grinder



- 4.2 Amp - 25,000 RPM motor
- Paddle switch
- Precision 1/4" collet
- AC/DC capacity

Item #	Description	Std Pkg
041-DWE4887N	1-1/2" Die Grinder - No Lock-On Switch	1 ea

2" Die Grinder



- 5 Amp - 19,000 RPM
- Lock On trigger
- AC/DC capacity
- External brush caps
- Precision 1/4" collet w/ 1/8" reducing sleeve

Item #	Description	Std Pkg
041-DW888	2" Die Grinder 5 Amp 19,000 RPM	1 ea

8" Bench Grinder



- 3/4 HP - 3,600 RPM
- 12-1/2" distance between wheels
- Rear exhaust ports in wheel guards
- Precision-machined aluminum tool rests
- Rugged cast iron base

Item #	Description	Std Pkg
041-DW758	8" Bench Top Grinder	1 ea

HP Metal Grinding Wheel



- 3 full sheets of fiberglass
- High performance aluminum oxide grain
- High grain concentration

Item #	Description	Std Pkg
041-DW4514	4-1/2" x 1/4" x 7/8" HP Grinding Wheel	1 ea

HP Metal Grinding Wheel



- High grain concentration
- Proprietary material mix
- 3 full sheets of fiberglass
- High performance aluminum oxide grain

Item #	Description	Std Pkg
041-DW4523	4-1/2" x 1/4" x 5/8-11 T27 HP Grinding Wheel	10 ea

HP Metal Grinding Wheel



- High grain concentration
- Proprietary material mix
- 3 full sheets of fiberglass
- High performance aluminum oxide grain

Item #	Description	Std Pkg
041-DW8435	4-1/2" x 1/8" x 5/8-11 T27 Grinding/Cutting Wheel	10 ea



HP Metal Cutting Wheel



- Thin .045" wheel design
- 2 full sheets of fiberglass
- Proprietary Material Mix
- Proprietary aluminum oxide grain combination

Item #	Description	Std Pkg
041-DW8062	4-1/2" X .045" X 7/8 T1 Cutting Abrasive Wheel	25 ea

HP Metal Cutting Wheels



- Thin .045" wheel design for fast burr free cutting
- 2 Full sheets of fiberglass
- Proprietary aluminum oxide grain

Item #	Description	Std Pkg
041-DW8725	6" x .040 x 7/8" A60T T1 Thin Cut-off Blade	25 ea

14" Chop Saw



- 15 amp / 5.5 HP motor
- QUICK-LOCK vise
- QUICK-CHANGE™ blade change system
- QUICK-FENCE™ is a 45°, adjustable fence
- Extra wide solid steel base, spindle lock, adjustable spark guard

Item #	Description	Std Pkg
041-D28715	14" Abrasive Chop Saw 15AMP Quick-change	1 ea

14" Chop Saw



- 15 amp/4HP (maximum motor HP) motor
- QUICK-LOCK Vise
- QUICK-FENCE™ 45° pivoting fence

Item #	Description	Std Pkg
041-D28710	14" Abrasive Chop Saw 15 Amp	1 ea

Metal Port Saw Cut-Off Wheel



- Powered by aluminum oxide A24P grit
- 1 HP High Speed Rail Cutting Wheels
- 2 full sheets withstand extreme conditions

Item #	Description	Std Pkg
041-DW8020	14" x 1/8" x 1" Metal Cut- Off Wheel	10 ea

14" Multi-Cutter Saw



- 15 amp - 4 HP motor
- Cuts ferrous and non-ferrous metals
- Carbide teeth deliver virtually burr-free cuts
- 45° adjustable Quick-Fence & Quick-Lock vise

Item #	Description	Std Pkg
041-DW872	14" Multi-Cutter Saw	1 ea

14" Metal Cutting Chop Saw Wheel



- Proprietary material mix
- 2 full sheets of fiberglass
- High performance aluminum oxide grain
- High grain concentration for aggressive cutting action

Item #	Description	Std Pkg
041-DW8001	14" x 7/64" Chop Saw Wheel 1" AH	10 ea

14" Metal Cutting Saw Blade



- 50% longer life
- Precise tip placement for longer life and accurate cuts
- Stiff plate design minimizes run-out and extends life

Item #	Description	Std Pkg
041-DWA7747	14" x 66th Metal Carbide Cutting Blade	1 ea

20V Max Deep Cut Band Saw Kit



- 5" cutting capacity
- Integrated hang hook
- LED Work Light
- Variable speed
- Brushless motor

Item #	Description	Std Pkg
041-DCS374P2	20V Max Deep Cut Band Saw Kit	1 ea

Deep Cut Band Saw



- 10 amp motor
- LED sight light
- Variable speed dial
- 5" deep cut capacity

Item #	Description	Std Pkg
041-DWM120	HD Variable Speed Deep Cut Portable Band Saw	1 ea



Deep Cut Band Saw Kit



- 10 amp motor
- LED sight light
- Variable speed dial
- 5" deep cut capacity

Item #	Description	Std Pkg
041-DWM120K	5" Deep Cut Band Saw 10 Speed	1 ea

Bi Metal Portable Bandsaw Blade



- Alloy steel backer
- 8% cobalt content
- RC 65-67 tooth hardness
- Matrix II high speed steel edge

Item #	Description	Std Pkg
041-DW3983	44-7/8" x 18 TPI Band Saw Standard Blade	3 pkg
041-DW3984	44-7/8" x 24 TPI Band Saw Standard Blade	3 pkg

Bi Metal Cordless Bandsaw Blades



- Alloy Steel Backer
- 8% Cobalt Content
- RC 65-67 Tooth Hardness
- Matrix II High Speed Steel Edge

Item #	Description	Std Pkg
041-DW3983C	32-7/8"x18 TPI Mini-BSB F/cordless Bandsaw	3 pkg

20V Max Reciprocating Saw Kit



- **Includes:** 20V MAX Reciprocating Saw, 20V MAX XR Battery, Battery Charger, Kit Box
- 1-1/8" stroke length
- Variable speed trigger

Item #	Description	Std Pkg
041-DCS380P1	20V MAX* Lithium Ion Reciprocating Saw Kit	1 ea

12 amp Reciprocating Saw



- 12 amp motor
- 4-position blade clamp
- Variable speed trigger
- Keyless, lever-action blade clamp
- 0-2,900 SPM and 1-1/8" stroke length

Item #	Description	Std Pkg
041-DWE305	12A Corded Reciprocating Saw	1 ea

Bi Metal Reciprocating Blades



- Patented tooth design
- Specially formulated anti-stick coating
- Aggressive shank angle increases tooth contact

Item #	Description	Std Pkg
041-DW4811B	6" 18 TPI Reciprocating Blade Bi-metal BULK	100 ea

7-1/4" Circular Saw



- 15 amp motor
- 2-9/16" Depth of cut capacity
- Integrated dust blower function
- Durable high grade Aluminum smooth base
- 57° beveling capacity w/ stops at 45° & 22.5°

Item #	Description	Std Pkg
041-DWE575	7-1/4" Circular Saw 15amp/no Brake	1 ea

20V Max Grease Gun



- 10,000 max PSI
- Bright LED light
- High-volume pump
- Variable speed trigger
- 42" extra long and flexible hose
- Up to 16 cartridges per charge with a single DEWALT 20V MAX Battery

Item #	Description	Std Pkg
041-DCGG571M1	20V Max Grease Gun Lithium-ion Kit	1 ea

4.5 gal Portable Air Compressor



- 10" non-flat foam tires
- 78 dBA* operational noise level
- 200 PSI max tank storage pressure
- Vertical stand feature and collapsible handle
- Oil free, maintenance free pump for convenient use

Item #	Description	Std Pkg
041-D55146	4.5 gal Portable Air Compressor Wheeled	1 ea

20X Transit Level Kit



- Quick adjust legs
- ±1/4" per 100' accuracy
- Heavy-duty leveling base
- 20x magnification for 200' + range
- 360° horizontal circle with Vernier scale
- Includes: Aluminum tripod, 8' aluminum grade rod

Item #	Description	Std Pkg
041-DW092PK	20X Optical Transit Level Kit	1 ea



Mechanics Tool Set - 108 pc



- 1/4" Drive 6pt sockets: SAE: 5/32, 3/16, 7/32, 1/4, 9/32, 5/16, 11/32, 3/8, Metric: 4, 5, 6, 7, 8, 9, 10, 11
- 1/4" Drive 6pt deep socket: SAE: 11/32, 3/8, 7/16, 1/2, Metric: 10, 11, 12, 13
- 3/8" Drive 6pt sockets: SAE: 3/8, 7/16, 1/2, 9/16, 5/8, 11/16, 3/4, Metric: 10, 11, 12, 13, 14, 15, 16, 17
- 3/8" Drive 6pt deep sockets: SAE: 9/16, 5/8, 11/16, 3/4, Metric: 14, 15, 16, 17
- Nut driver bit: SAE 5/32, 3/16, 7/32, 1/4, 9/32
- 14 pc standard hex key set, 14 pc metric hex key set
- 1/4" Drive 3" Extension, 3/8" Drive 3" Extension
- 3/8" x 1/4" Reducing Adapter, 1/4", 3/8" Pear Head Ratchet
- Vinyl grip multi driver, 22 piece bit set with storage case

Item #	Description	Std Pkg
041-DWMT73801	108 pc Mechanics Tool Set	1 ea

Mechanics Tool Set - 142 pc



- 1/4" Drive 6pt sockets: SAE: 3/16, 7/32, 1/4, 9/32, 5/16, 11/32, 3/8, 7/16, 1/2, Metric: 5, 6, 7, 8, 9, 10, 11, 12, 13
- 1/4" Drive 6pt deep sockets: SAE: 5/16, 11/32, 3/8, 7/16, 1/2, Metric: 9, 10, 11, 12, 13
- 3/8" Drive 6pt deep sockets: SAE: 5/8, 11/16, 3/4, 13/16, 7/8, Metric: 16, 17, 18, 19
- Combination Wrench SAE: 3/8, 7/16, 1/2, 9/16, 5/8, Metric: 10, 11, 13, 14, 15
- Nut driver bit: SAE 5/32, 3/16, 7/32, 1/4, 9/32, 5/16, 11/32, 3/8, 7/16, 1/2, Metric 4, 5, 6, 7, 8
- 14 pc standard hex key set, 14 pc metric hex key set
- 22 pc bit set with storage case
- 1/4" Drive 6" Extension, 1/4" in Drive Universal Joint
- 3/8" Drive 6" Extension, 3/8" Drive Universal Joint
- 1/4" x 3/8" Increasing Adapter, 3/8" x 1/4" Reducing Adapter, 3/8" Spark Plug Socket 5/8"
- 1/4", 3/8" Pear Head Ratchet
- Vinyl grip multi driver

Item #	Description	Std Pkg
041-DWMT73802	142 pc Mechanics Tool Set	1 ea

Mechanics Tool Set - 168 pc



- 1/4 in Drive 6pt sockets: SAE 5/32 – 1/2, Metric 4 – 13
- 1/4 in Drive 6pt deep sockets: SAE 5/16 – 1/2, Metric 9 – 13
- 1/2 in Drive 6pt sockets: SAE 1/2 – 15/16, Metric 12 – 21
- 1/2 in Drive 5 in Extension, 1/2 in Drive Universal Joint.
- 1/4 & 3/8 in Drive 6 in Extension 6, 1/4 & 3/8 in Drive Universal Joint
- 3/8 in Drive 6pt sockets: SAE 5/16 – 7/8, Metric 10 -19
- 3/8 in Drive 6pt deep sockets: SAE 5/8 – 7/8, Metric 15 – 19
- 1/4, 3/8, 1/2 in Drive Pear Head Ratchet
- 14 piece standard and metric hex key set
- 22 piece bit set with storage case
- Vinyl grip multi driver, Nut Driver Bit SAE 5/32 – 1/2, Metric 4-8

Item #	Description	Std Pkg
041-DWMT73803	168 pc Mechanics Tool Set	1 ea

Mechanics Tool Set - 192 pc



- 1/4" Drive 6pt sockets: SAE: 5/32, 3/16, 7/32, 1/4, 9/32, 5/16, 11/32, 3/8, 7/16, 1/2, 9/16" Metric: 4, 5, 6, 7, 8, 9, 10, 11, 12, 13, 14
- 1/4" Drive, 6 pt deep sockets: SAE: 5/32, 3/16, 1/4, 9/32, 5/16, 11/32, 3/8, 7/16, 1/2" Metric: 4, 5, 6, 7, 8, 9, 10, 11, 12, 13, 14
- 3/8" Drive 6pt sockets: SAE: 1/4, 5/16, 3/8, 7/16, 1/2, 9/16, 5/8, 11/16, 3/4, 13/16, 7/8" Metric: 10, 11, 12, 13, 14, 15, 16, 17, 18, 19, 21
- 3/8" Drive, 6 pt deep sockets: SAE: 1/4, 15/16, 3/8, 7/16, 1/2, 9/16, 5/8, 11/16, 3/4, 13/16, 7/8" Metric: 10, 11, 12, 13, 14, 15, 16, 17, 18, 19, 21
- 1/2" Drive 6pt sockets: SAE: 7/16, 1/2, 9/16, 5/8, 11/16, 3/4, 13/16, 7/8, 15/16, 1" Metric: 13, 14, 15, 16, 17, 18, 19, 21, 22, 24
- 1/2" Drive, 6pt deep sockets: SAE: 7/16, 1/2, 9/16, 5/8, 11/16, 3/4, 13/16, 7/8, 15/16, 1" Metric: 13, 14, 15, 16, 17, 18, 19, 21, 22, 24
- 3/8" Drive hex bit sockets: SAE: 5/32, 3/16, 1/4, 5/16, Metric: 4, 5, 6, 7, 8
- 3/8" Drive torx bit sockets: T10, T15, T20, T25, T27, T30, T40, T45
- 14 pc standard hex key set, 14 pc metric hex key set
- 1/4" Drive Extensions: 3", 6", 10"
- 3/8" Drive Extensions: 3", 6", 10"
- 1/2" Drive Extensions: 2.5", 5", 10"
- 1/4", 3/8", 1/2" Drive Pear Head Ratchet
- 1/4" x 3/8" Increasing Adapter, 1/4" Drive Universal Joint
- 3/8" x 1/4" Reducing Adapter, 3/8" Universal Joint
- 3/8" Drive Spark Plug Socket 5/8", 3/8" Drive Spark Plug Socket 3/4", 3/8" Drive Spark Plug Socket 13/16"
- 1/2" Drive Universal Joint, 1/2" to 3/8" Drive Adapter

Item #	Description	Std Pkg
041-DWMT75049	192 pc Mechanics Tool Set	1 ea



Socket set - 34 pc



- 7- 1/4" Drive SAE Sockets (5/32, 3/16, 7/32, 1/4, 9/32, 5/16, 3/8")
- 7- 1/4" Drive Metric Sockets (5, 6, 7, 8, 9, 10, 11)
- 8- 3/8" Drive SAE Sockets (7/16, 1/2, 9/16, 5/8, 11/16, 3/4, 13/16, 7/8")
- 8- 3/8" Drive Metric Sockets (12, 13, 14, 15, 16, 17, 18, 19)
- 3/8" Drive Quick Release Ratchet
- 3/8" Drive 3" Extension
- 3/8" to 1/4" Drive Adaptor
- 3/8" Drive Drill Adaptor

Item #	Description	Std Pkg
041-DWMT73804	34 pc 1/4" & 3/8" Drive Socket Set	1 ea

SAE Combo Wrench Set - 8 pc



- 8 SAE Combination Wrenches: 1/4, 5/16, 3/8, 7/16, 1/2, 9/16, 5/8, 11/16"
- Lockable Stacking Cases
- Full Polish Chrome
- Full Lifetime Warranty

Item #	Description	Std Pkg
041-DWMT73809	8 pc SAE Combo Wrench Set	1 ea

Metric Combo Wrench Set - 8 pc



- 8pc Metric Combination Wrenches: 10mm, 11, 12, 13, 14, 15, 16, 17
- Lockable Stacking Cases
- Full Polish Chrome
- Full Lifetime Warranty

Item #	Description	Std Pkg
041-DWMT73810	8 pc Metric Combo Wrench Set	1 ea

20V MAX Impact Wrench Kit



- Includes: (1) 20-Volt 3/8" impact wrench, (1) 20-Volt lithium-ion charger, (2) 20-Volt XR lithium-ion batteries, (1) carrying case
- Variable-speed trigger delivers up to 2300 RPM
- Batteries have built-in fuel gauge

Item #	Description	Std Pkg
041-DCF883M2	20V Max 3/8" Hog Ring Impact Wrench Combo Kit	1 ea

20V MAX Impact Driver Kit



- 1/4" hex chuck accepts 1" bit tips
- Belt hook included for portability
- 3 LED lights with 20-second delay

Item #	Description	Std Pkg
041-DCF885C2	20V 1/4" Cordless Impact Driver Max Lith-Ion Kit	1 ea

20V MAX XR Impact Driver Kit



- Brushless motor
- 3-speed settings
- XR® Li-Ion batteries
- 3 LEDs with 20-second delay
- 1/4" hex chuck with easy grip sleeve

Item #	Description	Std Pkg
041-DCF887D2	20V Max XR 1/4" Imp Drv 3 Speed Kit	1 ea

20V MAX Impact Driver Kit



- 400 ft-lbs of maximum torque
- XR Li-Ion batteries with fuel gauge
- Variable speed trigger with electric brake
- Durable magnesium gear case & all metal transmission

Item #	Description	Std Pkg
041-DCF889M2	20V Max 1/2" Impact Driver Kit	1 ea

20V MAX XR Impact Driver Kit



- 1/2" Anvil with detent pin
- LED light with 20-second delay
- Multi-speed control: (0-400/ 1,200/ 1,900 RPM)

Item #	Description	Std Pkg
041-DCF899P2	20V Max XR 1/2" Impact High Torque Kit	1 ea

20V MAX XR Rotary Hammer Kit



- Brushless motor
- Active Vibration Control
- Retractable utility hook
- 2.1 joules impact energy provides corded power without the cord

Item #	Description	Std Pkg
041-DCH273P2	20V Max 1" Rotary Hammer Kit "Brushless"	1 ea



20V MAX Drill Driver/Impact Driver Combo Kit



Includes:

- DCD771 20V MAX* 1/2" Drill/Driver
- DCF885 1/4" Impact Driver
- (2) 20V MAX* Lithium Ion 1.3 Ah Battery Packs
- 20V MAX* charger, Contractor bag

Item #	Description	Std Pkg
041-DCK240C2	20V 1/2" Max Drill Driver/Impact Driver Combo Kit	1 ea

Quick Change Mandrel



- Fits Hole Saws 1-1/4" - 6"
- Heavy Duty 7/16" Shank Quick Change Mandrel
- Spring-loaded collar that automatically engages drive pins
- Feature double set screws with a recessed combination head

Item #	Description	Std Pkg
041-DW1803	7/16" Quick Change Hole Saw Mandrel	1 ea

8" 14 TPI Bi-Metal Saw Blade



- 5 each per pack
- 8" blade with 14 TPI
- Anti-stick coating
- Aggressive shank angle

Item #	Description	Std Pkg
041-DW4809	8" 14TPI Reciprocating Saw Blade Bi-Metal	1 pkg

Metal Cutting Saw Blades



- Laser-cut expansion slots
- Blade is laser etched and color coded by material
- Extra-hard carbide ensures sharp cutting edges
- Heavy-gauge laser-cut hardened & tempered steel plate

Item #	Description	Std Pkg
041-DW7666	12" X 80T X 1" Ah Miter Saw Blade F/Alumn	1 ea

XP High Density Flap Disc - DW8266



- Grit: 40
- Arbor: 7/8"
- Diameter: 7"
- Grain: Zirconia
- Max RPM: 8700 RPM's

Item #	Description	Std Pkg
041-DW8266	7" x 7/8" 40 Grit XP Flap Disc - Type 27	10 ea

4-1/2" Angle Grinder



- 9 amp AC/DC
- 12,000 RPM motor
- 2-position, removable side handle
- Quick-Change™ wheel release

Item #	Description	Std Pkg
041-DWE4120N	4.5" Angle Grinder w/Paddle Switch & No Lock-On	1 ea



Electric Engraver Kit



- **Kit Includes:** Letter/Number Template, 9924 Carbide Point
- Stroke adjustment dial regulates engraving depth

Item #	Description	Std Pkg
131-290-01	Electric Engraver w/1 Replaceable Carbide Point	1 ea



AAA Coppertop Battery



- Reliable, long-lasting batteries
- Duralock Power Technology
- Guaranteed for 10 years in storage

Item #	Description	Std Pkg
165-MN2400	AAA Coppertop Battery	144 ea

AA Coppertop Battery



- Reliable, long-lasting batteries
- Duralock Power Technology
- Guaranteed for 10 years in storage

Item #	Description	Std Pkg
165-MN1500	AA Coppertop Battery	144 ea

C Coppertop Battery



- Reliable, long-lasting batteries
- Duralock Power Technology
- Guaranteed for 10 years in storage

Item #	Description	Std Pkg
165-MN1400	C Coppertop Battery	72 ea

DURACELL

D Coppertop Battery



- Reliable, long-lasting batteries
- Duralock Power Technology
- Guaranteed for 10 years in storage

Item #	Description	Std Pkg
165-MN1300	D Coppertop Battery	72 ea

9V Coppertop Battery



- Reliable, long-lasting batteries
- Duralock Power Technology
- Guaranteed for 10 years in storage

Item #	Description	Std Pkg
165-MN1604	9V Coppertop Battery	72 ea

6V Lantern Coppertop Battery



- Reliable, long-lasting batteries
- Duralock Power Technology
- Guaranteed for 10 years in storage

Item #	Description	Std Pkg
165-MN908	6V Coppertop Lantern Battery	6 ea

AAA Procell Battery



- Economically packaged in bulk
- Individually date-coded
- Designed for professional & industrial applications
- Guaranteed fresh for 7 years

Item #	Description	Std Pkg
165-PC2400	AAA Procell Battery	144 ea

AA Procell Battery



- Economically packaged in bulk
- Individually date-coded
- Designed for professional & industrial applications
- Guaranteed fresh for 7 years

Item #	Description	Std Pkg
165-PC1500	AA Procell Battery	144 ea

C Procell Battery



- Economically packaged in bulk
- Individually date-coded
- Designed for professional & industrial applications
- Guaranteed fresh for 7 years

Item #	Description	Std Pkg
165-PC1400	C Procell Battery	72 ea

D Procell Battery



- Economically packaged in bulk
- Individually date-coded
- Designed for professional & industrial applications
- Guaranteed fresh for 7 years

Item #	Description	Std Pkg
165-PC1300	D Procell Battery	72 ea

9V Procell Battery



- Economically packaged in bulk
- Individually date-coded
- Designed for professional & industrial applications
- Guaranteed fresh for 7 years

Item #	Description	Std Pkg
165-PC1604	9V Procell Battery	72 ea

AAA Quantum Battery



- PowerCheck™: Instantly check your power level
- Duralock Power Preserve™ Technology
- Guaranteed for 10 years in storage

Item #	Description	Std Pkg
165-QU2400	AAA Quantum Battery	144 ea

AA Quantum Battery



- PowerCheck™: Instantly check your power level
- Duralock Power Preserve™ Technology
- Guaranteed for 10 years in storage

Item #	Description	Std Pkg
165-QU1500	AA Quantum Battery	144 ea

C Quantum Battery



- PowerCheck™: Instantly check your power level
- Duralock Power Preserve™ Technology
- Guaranteed for 10 years in storage

Item #	Description	Std Pkg
165-QU1400	C Quantum Battery	72 ea

D Quantum Battery



- PowerCheck™: Instantly check your power level
- Duralock Power Preserve™ Technology
- Guaranteed for 10 years in storage

Item #	Description	Std Pkg
165-QU1300	D Quantum Battery	72 ea

9V Quantum Battery



- PowerCheck™: Instantly check your power level
- Duralock Power Preserve™ Technology
- Guaranteed for 10 years in storage

Item #	Description	Std Pkg
165-QU1604	9V Quantum Battery	72 ea



Texpen Marker



- Stainless steel-ball valve action tip
- Writes at all angles including upside down
- Writes through oil, grease and underwater
- Write sharp, defined, bright marks on any surface

Item #	Description	Std Pkg
087-16013	Texpen Blue Medium Tip	12 ea
087-16020	Texpen Red Fine Tip	12 ea
087-16023	Texpen Red Medium Tip	12 ea
087-16030	Texpen Black Fine Tip	12 ea
087-16033	Texpen Black Medium Tip	12 ea
087-16043	Texpen Green Medium Tip	12 ea
087-16060	Texpen Yellow Fine Tip	12 ea
087-16063	Texpen Yellow Medium Tip	12 ea
087-16080	Texpen White Fine Tip	12 ea
087-16083	Texpen White Medium Tip	12 ea
087-16103	Texpen Orange Medium Tip	12 ea

Dalo Marker



- Drying time: 25-35 mins
- Stainless steel-ball valve action tip
- Writes at all angles including upside down
- Writes through oil, grease and underwater
- Write sharp, defined, bright marks on any surface

Item #	Description	Std Pkg
087-26013	Dalo Blue Medium Tip	6 ea
087-26023	Dalo Red Medium Tip	6 ea
087-26033	Dalo Black Medium Tip	6 ea
087-26043	Dalo Green Medium Tip	6 ea
087-26063	Dalo Yellow Medium Tip	6 ea
087-26064	Dalo Broad Tip Yellow	6 ea
087-26083	Dalo White Medium Tip	6 ea
087-26084	Dalo Broad Tip White	6 ea
087-26103	Dalo Orange Medium Tip	6 ea

Brite-Mark Fine Tip Marker



- Oil-based paint
- Ideal for color coding
- Bullet tips are replaceable
- Heavy duty aluminum body
- Drying Time: 25-35 seconds
- Mechanisms prevent paint in barrel from drying with the cap off

Item #	Description	Std Pkg
087-41001	Brite-Mark Blue Fine Tip Valve Action	12 ea
087-41002	Brite-Mark Red Fine Tip Valve Action	12 ea
087-41003	Brite-Mark Black Fine Tip Valve Action	12 ea
087-41004	Brite-Mark Green Fine Tip Valve Action	12 ea
087-41006	Brite-Mark Yellow Fine Tip Valve Action	12 ea
087-41008	Brite-Mark White Fine Tip Valve Action	12 ea
087-41010	Brite-Mark Orange Fine Tip Valve Action	12 ea

Brite-Mark Medium Tip Marker



- Bullet tips are replaceable
- Heavy duty aluminum body
- Formula is not xylene-based
- Drying Time: 25 – 35 seconds
- Mechanisms prevent paint in barrel from drying with the cap off

Item #	Description	Std Pkg
087-84001	Brite-Mark Blue Medium Tip Valve Action	12 ea
087-84002	Brite-Mark Black Medium Tip Valve Action	12 ea
087-84003	Brite-Mark White Medium Tip Valve Action	12 ea
087-84004	Brite-Mark Yellow Medium Tip Valve Action	12 ea
087-84005	Brite-Mark Orange Medium Tip Valve Action	12 ea
087-84006	Brite-Mark Red Medium Tip Valve Action	12 ea
087-84007	Brite-Mark Green Medium Tip Valve Action	12 ea

Cross Check Indicator Paste



- Highly visible
- Excellent adhesion
- Tamper Proof Torque Mark
- Visually detects loose nuts & bolts
- Dry to touch/handle in 30-40 minutes
- Yellow fluoresce under black/UV light

Item #	Description	Std Pkg
087-83317	1 oz Cross Check Yellow Tube	24 ea

Steel Blue Layout Fluid



- Toluene free
- Dries in minutes
- Reduces eye strain
- Prevents glare with a uniform, deep color
- Provides a thin blue film without cracking or chipping

Item #	Description	Std Pkg
087-80000	16oz Aero Steel Blue Layout Fluid	12 ea

Cleaner



- Dries in minutes
- Removes layout fluids
- Prepares metal surfaces
- Prepares surfaces for better adhesion
- Does not contain toluene or chlorinated solvents

Item #	Description	Std Pkg
087-82038	16oz Cleaner & Remover	12 ea



Penetrating Oil



- Preserves metal
- Excellent penetration power
- Eliminates squeaks and binds
- Loosens nuts, bolts and fittings
- Contains PTFE & Moly to displaces moisture
- Reduces maintenance time and film never hardens

Item #	Description	Std Pkg
087-28420	20 oz Mechanic's Friend Penetrating Oil	12 ea



Liquid Alive



- Stain remover
- Biodegradable
- Neutralizes offensive odors
- Non-toxic to animals and humans
- Dissolves grease, dirt and oil based stains

Item #	Description	Std Pkg
087-33601	Liquid Alive 4gal/cs	4 ea

Wasp and Hornet Killer



- Sprays up to 20 ft
- Instant knockdown
- Kills wasps, hornets, yellow jackets and bees
- Kills nest and insects with residual action

Item #	Description	Std Pkg
087-18320	20 oz The END Wasp and Hornet Killer	12 ea

Scrubs in a Bucket



- NO SOAP! NO WATER! NO PROBLEM!
- For use on hands and surfaces
- Advanced cleaning power
- Clean, citrus fragrance
- No sticky residue

Item #	Description	Std Pkg
087-42230	Scrubs-in-a-Bucket 30/bucket	6 ea

Scrubs in a Bucket



- NO SOAP! NO WATER! NO PROBLEM!
- For use on hands and surfaces
- Advanced cleaning power
- Clean, citrus fragrance
- No sticky residue

Item #	Description	Std Pkg
087-42272	Scrubs-in-a-Bucket	6 ea

Insect Shield Wipes



- Non-greasy
- 30% DEET
- Lasts up to 6 hours
- Waterproof formula
- Protects from insects with the west Nile virus

Item #	Description	Std Pkg
087-91401	Insect Shield Repellent Towels	100 ea



Heating Cable w/Thermostat



- Turns on below 38°F, Shuts off above 45°F
- Prevents pipe freeze-ups
- Fits pipes up to 1.5" in diameter
- Includes heating cable, grounded plug, built in thermostat

Item #	Description	Std Pkg
140-AHB-013A	3' 120v Heating Cable w/Thermostat 21Watts	5 ea
140-AHB-016A	6' 120v Heating Cable w/Thermostat 42 Watts	5 ea
140-AHB-019A	9' 120v Heating Cable w/Thermostat 63 Watts	5 ea
140-AHB-112A	12' 120v Heating Cable w/Thermostat 84 Watts	5 ea
140-AHB-115A	15' 120v Heating Cable w/Thermostat 105 Watts	5 ea
140-AHB-118	18' 120v Heating Cable w/Thermostat 126 Watts	5 ea
140-AHB-124	24' 120v Heating Cable w/Thermostat 168 Watts	5 ea
140-AHB-130	30' 120v Heating Cable w/Thermostat 211 Watts	5 ea
140-AHB-140	40' 120v Heating Cable w/Thermostat 280 Watts	5 ea
140-AHB-160	60' 120v Heating Cable w/Thermostat 420 Watts	5 ea
140-AHB-180	80' 120v Heating Cable w/Thermostat 560 Watts	5 ea

Pre-Set Thermostat



- Shuts off at -50°F
- For dry location use only
- Automatically turns on 35°F or less
- Thermostatically controlled pipe heating system

Item #	Description	Std Pkg
140-EH38	120V 15 amp Freeze Free Pre-Set Thermostat	10 ea

Freeze Free Pipe Cable



- 300' Reel for pipe heat cable storage
- Self regulating pipe heating system
- Cut-to-length Freeze Free cables
- 3 watt per foot cable

Item #	Description	Std Pkg
140-2302	300' Freeze Free Self-Regulating Pipe Heat Cable	1 reel

Freeze Free Connection End Kit



- Freeze free
- Self regulating
- Connection kit
- Poly bag package
- Cut-to-length cable

Item #	Description	Std Pkg
140-10803	120V Freeze Free Connection End Kit	1 ea

Fiberglass Insulation Roll



- Can be used with heat tape
- For wrapping steel or PVC pipe
- Stops cold water pipes from sweating
- Prevents heat loss from hot water pipes

Item #	Description	Std Pkg
140-11107966	6" x 25' Fiberglass Insulation Roll	1 roll
140-7264591	3" x 25' Fiberglass Insulation Roll	1 roll



CenturionZ Snaphook



- Fall-rated zsnaphook
- Double locking snap hook
- 3/4-inches gate opening

Item #	Description	Std Pkg
090-13101	6-1/4" x 2-1/2" Z Snap Locking Snap Hook	25 ea

CenturionZ Rebar Form Snaphook



- Fall-rated snaphook
- Double locking snap hook
- 2-1/2-inches gate opening

Item #	Description	Std Pkg
090-13218	9-1/2" x 5" Z Rebar Auto Lock Snap Hook	25 ea

CenturionZ Swivel Snaphook



- Auto-Lock
- Fall-Rated
- Fall Indicator

Item #	Description	Std Pkg
090-13321	7-1/2" x 2-3/8" Z Snap Swivel Auto Lock Snap Hook	25 ea

Carabiner



- Steel Auto-Twist Lock Carabiner with Roll-Pin
- Fall rated
- 3600 lb
- ANSI Z359.1-2007 compliant

Item #	Description	Std Pkg
090-17426	1/2" x 8-5/8" x 5-5/8" Auto Twist Carabiner	25 ea

Carabiner



- Steel Auto-Twist Lock Carabiner with Roll-Pin
- Fall rated
- 3600 lb
- ANSI Z359.1-2007 compliant

Item #	Description	Std Pkg
090-17443	1-2" x 4-7/8" x 3-1/8" Auto Twist Carabiner	25 ea

Nylon Rope Lanyard - Z Snap Hooks



- 3/4" centurion auto-lock snaphook at each end
- 3600 lb. (3.6M) Gate
- ANSI Z359.1-2007 compliant

Item #	Description	Std Pkg
090-28013	1/2" x 3' CenturionZ Rope Lanyard Z Snap Hooks	12 ea

Adjustable Web Lanyard



Photo Not Available

- Centurion Adj Web Lanyard
- Zsnap hook
- ANSI Z359.1-2007 compliant

Item #	Description	Std Pkg
090-29910	1" x 10' Adjustable Web Lanyard	12 ea

CenturionZ Series ZORBER Lanyard



- Energy absorbing Nylon Web Lanyard
- 2 Zsnaphooks
- 1 Zrebarhook, 3600 lb Gate

Item #	Description	Std Pkg
090-36357	1" x 6' Zorber Web Lanyard w/Z Rebar Hooks	6 ea

Centurionz Web Lanyard



- 1" x 4'
- Nylon Web
- Legs: Single
- Connectors: Centurion Zsnap hook each end
- Positioning

Item #	Description	Std Pkg
090-29024	1" x 4' Centurion Web Lanyard w/Zsnaphooks	1 ea

Rebar Chain Assembly



- 25-1/2" w/ adjuster
- 2 Snap hooks
- Swivel rebar hook
- 3.6M Gate

Item #	Description	Std Pkg
090-13425	2 Leg/Chain Z Rebar Assembly w/Swivel each Leg	6 ea

Rebar Web Assembly



- 1" x 18" Assembly
- 2- Zsnap swivel hooks
- 3.6M Gate

Item #	Description	Std Pkg
090-29761	1" x 18" Rebar Web Chain Assembly	12 ea



Poly/propl Rope Lifeline



- CP Plus Lifeline
- Zsnap hooks each end
- ANSI Z359.1-2007 compliant

Item #	Description	Std Pkg
090-49811	5/8" X 25' Lifeline Poly/Propl Rope	6 ea

Nylon Rope Lifeline



- Lifeline with Zsnaphook on each end
- Made of nylon
- 3600 lbs gate

Item #	Description	Std Pkg
090-34125	5/8" x 25' Nylon Rope Lifeline - Zsnap Ends	6 ea

Nylon Rope Lifeline



- 5/8" x 50'
- Nylon Rope
- Connectors: Zsnap hookhook on each end

Item #	Description	Std Pkg
090-34150	5/8" x 50' Nylon Rope Lifeline	1 ea

Lifeline Snaphook



- Zsnap Hook
- Thimble Eye and Zsnaphook

Item #	Description	Std Pkg
090-49823	5/8" x 75' Lifeline Snaphook - Thimble Eye End	3 ea
090-49825	5/8" x 150' Lifeline Snaphook/Thimble Eye End	1 ea

CP+ Lifeline Zsnap Hook & Thimble Eye



- 5/8" x 25' CP+™ Rope
- Polyester/Polypropylene Rope
- Connectors: Snaphook, Thimble Eye

Item #	Description	Std Pkg
090-49821	5/8" x 25' Lifeline Snaphook/Thimble Eye End	6 ea

Universal TB Harness



- One size fits all
- Shoulder strap adjusters
- Polyester and nylon
- Range 130 to 350 pounds

Item #	Description	Std Pkg
090-42359	3 D-Ring Medium-2XL Universal Harness	12 ea

Eagle Lite Harness



- 3D rings at back & hips
- Padded shoulders
- 6" Padded backpad
- Removable tool belt
- Polyester and nylon
- Classification Class A & Class P

Item #	Description	Std Pkg
090-62316	3D-Ring Eagle-Lite 3XL Harness	6 ea

Oil Rigger Harness Kit



- 4D Rings
- 4" Backpad @ waist & saddle
- Carry All bag

Item #	Description	Std Pkg
090-76471	12" Extended D-Ring Small Oil Rigger Harness	6 ea
090-76472	12" Extended D-Ring Medium Oil Rigger Harness	6 ea
090-76473	12" Extended D-Ring Large Oil Rigger Harness	6 ea
090-76474	12" Extended D-Ring XL Oil Rigger Harness	6 ea
090-76475	12" Extended D-Ring 2XL Oil Rigger Harness	6 ea
090-76476	12" Extended D-Ring 3XL Oil Rigger Harness	6 ea



15 pc Hex-L Key Set - Metal Box



- **Sizes:** .028, .035, .050, 1/16, 5/64, 3/32, 7/64, 1/8, 9/64, 5/32, 3/16, 7/32, 1/4, 5/16, & 3/8"

Item #	Description	Std Pkg
148-10115	15pc (.28-3/8") Short Hex-L Key Set	1 ea

18 pc Hex-L Key Set - Metal Box



- **Sizes:** .028, .035, .050, 1/16, 5/64, 3/32, 7/64, 1/8, 9/64, 5/32, 3/16, 7/32, 1/4, 5/16, 3/8, 1/2, 9/16, & 5/8"

Item #	Description	Std Pkg
148-10118	18pc (.28-5/8") Short Hex-L Key Set	1 ea

13 pc Hex-L Key Set



- **Sizes:** .050, 1/16, 5/64, 3/32, 7/64, 1/8, 9/64, 5/32, 3/16, 7/32, 1/4, 5/16, & 3/8"

Item #	Description	Std Pkg
148-10213	13pc (.050-3/8") Long Hex-L Key Set	6 ea



14 pc Hex-L Key Set - Metal Box



- **Sizes:** .050, 1/16, 5/64, 3/32, 7/64, 1/8, 9/64, 5/32, 3/16, 7/32, 1/4, 5/16, 3/8, & 1/2"

Item #	Description	Std Pkg
148-10214	14pc (.050-1/2") Long Hex-L Key Set	1 ea

Short Hex-L Key



Includes:

- Eklind 10113 and 10509 sets
- 13 pc Short Hex-L Key Set (**Sizes:** .050 - 3/8")
- 9 pc Short Hex-L Key Set (**Sizes:** 1.5 - 10mm)

Item #	Description	Std Pkg
148-10122	22pc Combo Short Hex Key Set w/Holder (10113&10509) (.050-3/8") & (1.5-10mm)	6 ea

22 pc Hex-L Key Combo Pack



- **Sizes (in):** .050, 1/16, 5/64, 3/32, 7/64, 1/8, 9/64, 5/32, 3/16, 7/32, 1/4, 5/16, & 3/8
- **Sizes (mm):** 1.5, 2, 2.5, 3, 4, 5, 6, 8, & 10

Item #	Description	Std Pkg
148-10222	22pc Combo Pack (10213 & 10609) Hex-L Key Set	1 ea

12 pc Hex-L Key Set - Metal Box



- **Sizes:** 0.7, 0.9, 1.3, 1.5, 2, 2.5, 3, 4, 5, 6, 8, & 10 mm

Item #	Description	Std Pkg
148-10512	12pc (0.7-10mm) Short Hex-L Key Set	1 ea

15 pc mm Hex-L Key Set - Metal Box



- **Sizes:** 0.7, 0.9, 1.3, 1.5, 2, 2.5, 3, 4, 5, 6, 8, 10, 12, 14, & 17 mm

Item #	Description	Std Pkg
148-10515	15pc (0.7-17mm) Short Hex-L Key Set	1 ea

Long Hex-L Key



- **Sizes:** .035, .050, 1/16, 5/64, 3/32, 7/64, 1/8, 9/64, 5/32, 3/16, 7/32, 1/4, 5/16, 3/8, 1/2, 9/16, & 5/8"

Item #	Description	Std Pkg
148-10217	17pc (.035-5/8") Long Hex Key Set	1 ea

10 pc Hex-L Key Set - Metal Box



- **Sizes:** 1.5, 2, 2.5, 3, 4, 5, 6, 8, 10, & 12 mm

Item #	Description	Std Pkg
148-10610	10pc (1.5-12mm) Hex-L Key Long Series	1 ea

13 pc Ball-Hex-L Key Set



- **Sizes:** .050, 1/16, 5/64, 3/32, 7/64, 1/8, 9/64, 5/32, 3/16, 7/32, 1/4, 5/16, & 3/8"

Item #	Description	Std Pkg
148-13213	13pc (.050-3/8") Ball Hex-L Key Set	6 ea

22 pc Ball-Hex-L Key Combo Pack



- **Sizes (in):** .050, 1/16, 5/64, 3/32, 7/64, 1/8, 9/64, 5/32, 3/16, 7/32, 1/4, 5/16, & 3/8
- **Sizes (mm):** 1.5, 2, 2.5, 3, 4, 5, 6, 8, & 10

Item #	Description	Std Pkg
148-13222	22pc Combo Ball Hex-L Key Set (13213 & 13609)	6 ea

9 pc Ball-Hex-L Key Set



- **Sizes:** 1.5, 2, 2.5, 3, 4, 5, 6, 8, & 10 mm

Item #	Description	Std Pkg
148-13609	9pc (1.5-10mm) Ball Hex-L Key Set	6 ea



Short Hex-L Key



- Steel
- Working Angle 35 Degrees
- Meets/Exceeds ANSI B18.3, GGG-K-275D

Item #	Description	Std Pkg
148-15106	3/32" Short Hex-L Key	25 ea
148-15110	5/32" Short Hex Key	5 ea
148-15124	3/8" Short Hex-L Key	5 ea
148-15132	1/2" Short Hex-L Key	5 ea
148-15140	5/8" Short Hex-L Key	5 ea
148-15156	7/8" Short Hex-L Key	1 ea

Short Hex-L Key - Metric



- Heat treated alloy steel
- Black finish to resist rust
- Made in U.S.A

Item #	Description	Std Pkg
148-15506	3mm Short Hex-L Key	25 ea
148-15510	5mm Short Hex-L Key	25 ea
148-15512	6mm Short Hex-L Key	10 ea
148-15516	8mm Short Hex-L Key	5 ea
148-15518	9mm Short Hex-L Key	5 ea

Long Hex-L Key



- Steel
- Working Angle 35 Degrees
- Meets/Exceeds ANSI B18.3, GGG-K-275D

Item #	Description	Std Pkg
148-15205	5/64" Long Hex-L Key	1 ea
148-15206	3/32" Long Hex-L Key	25 ea
148-15210	5/32" Long Hex-L Key	25 ea
148-15212	3/16" Long Hex-L Key	25 ea
148-15224	3/8" Long Hex Key	1 ea
148-15228	7/16" Long Hex-L Key	5 ea
148-15232	1/2" Long Hex-L Key	5 ae
148-15236	9/16" Long Hex-L Key	5 ea
148-15240	5/8" Long Hex-L Key	5 ea
148-15248	3/4" Long Hex-L Key	1 ea
148-15256	7/8" Long Hex-L Key	1 ea

Long Hex-L Key - Metric



- Heat treated alloy steel
- Black finish to resist rust
- Made in U.S.A

Item #	Description	Std Pkg
148-15618	9mm Long Hex Key	1 ea
148-15624	12mm Long Hex-L Key	1 ea
148-15628	14mm Long Hex Key	1 ea

Long Ball-Hex-L Key



- Alloy Steel
- Working Angle 35 Degrees
- Meets/Exceeds ANSI B18.3, GGG-K-275D

Item #	Description	Std Pkg
148-18206	3/32" Long Ball-Hex-L Key	1 ea
148-18208	1/8" Long Ball-Hex-L Key	10 ea
148-18209	9/64" Long Ball-Hex-L Key	10 ea
148-18210	5/32" Long Ball-Hex-L Key	10 ea
148-18212	3/16" Long Ball-Hex-L Key	10 ea
148-18214	7/32" Long Ball-Hex-L Key	10 ea
148-18216	1/4" Long Ball-Hex-L Key	10 ea
148-18220	5/16" Long Ball-Hex-L Key	5 ea
148-18224	3/8" Long Ball-Hex-L Key	5 ea
148-18228	7/16" Long Ball-Hex-L Key	1 ea
148-18232	1/2" Long Ball-Hex-L Key	1 ea
148-18236	9/16" Long Ball-Hex-L Key	1 ea
148-18248	3/4" Long Ball-Hex-L Key	1 ea

#51 Hex Key Fold-up Set



- **Sizes:** 3/16, 7/32, 1/4, 5/16, & 3/8"

Item #	Description	Std Pkg
148-20511	#51 (3/16-3/8) Hex Key Fold-up Set	6 ea

#81 Hex Key Fold-up Set



- **Sizes:** .050, 1/16, 5/64, 3/32, 7/64, 1/8, 9/64, & 5/32"

Item #	Description	Std Pkg
148-20811	#81 (.050"-5/32") Hex Key Fold-up Set	6 ea

#91 Hex Key Fold-up Set



- **Sizes:** 5/64, 3/32, 7/64, 1/8, 9/64, 5/32, 3/16, 7/32, & 1/4"

Item #	Description	Std Pkg
148-20911	#91 (5/64-1/4") Hex Key Fold-up Set	6 ea

#91S Hex Key Fold-up Set



- **Sizes:** .050, 1/16, 5/64, 3/32, 7/64, 1/8, 9/64, 5/32, & 3/16"

Item #	Description	Std Pkg
148-20912	#91S (.050"-3/16") Hex Key Fold-up Set	6 ea



T10-T40 Torx Key Fold-up Set

- **Sizes:** T10, T15, T20, T25, T27, T30, & T40



Item #	Description	Std Pkg
148-22571	7pc (T10-T40) Torx Fold-up Set	6 ea

T6-T20 Torx Key Fold-up Set

- **Sizes:** T6, T7, T8, T9, T10, T15, & T20



Item #	Description	Std Pkg
148-22572	7pc (T6-T20) Torx Fold-up Set	6 ea

2mm-8mm Hex Key Ergo Fold-up Set

- **Sizes:** 2, 2.5, 3, 4, 5, 6, & 8 mm



Item #	Description	Std Pkg
148-25172	7pc (2-8mm) Hex Key Ergo Fold-up Set	4 ea

T8-T40 Torx Key Ergo Fold-up Set

- **Sizes:** T8, T10, T15, T20, T25, T27, T30, & T40



Item #	Description	Std Pkg
148-25581	8pc (T8-T40) Torx Ergo Fold-up Set	4 ea

5/64"-1/4" Hex Key Ergo Fold-up Set

- **Sizes:** 5/64, 3/32, 7/64, 1/8, 9/64, 5/32, 3/16, 7/32, & 1/4"



Item #	Description	Std Pkg
148-25911	9pc (5/64-1/4") Hex Ergo Fold-up Set	4 ea

.050"-3/16" Hex Key Ergo Fold-up Set

- **Sizes:** .050, 1/16, 5/64, 3/32, 7/64, 1/8, 9/64, 5/32, & 3/16"



Item #	Description	Std Pkg
148-25912	9pc (.050-3/16") Hex Ergo Fold-up Set	4 ea

15 pc (.028"-3/8") Hex-L Key Set

- **Sizes:** .028, .035, .050, 1/16, 5/64, 3/32, 7/64, 1/8, 9/64, 5/32, 3/16, 7/32, 1/4, 5/16, & 3/8"



Item #	Description	Std Pkg
148-69215	15pc (.028 - 3/8") Hex-L Key Set	6 ea

Cushion T-Handle

- **Sizes:** 3/32, 7/64, 1/8, 9/64, 5/32, 3/16, 7/32, 1/4, 5/16, & 3/8"



Item #	Description	Std Pkg
148-50160	10pc 6" Cushion T-Handle 3/32-3/8" SAE Hex Key	1 ea

Cushion T-Handle

- **Sizes:** 3/32, 7/64, 1/8, 9/64, 5/32, 3/16, 7/32, & 1/4"



Item #	Description	Std Pkg
148-53168	8pc 6" Cushion T-Handle 3/32-1/4" SAE Hex Key	1 ea

Cushion T-Handle

- **Sizes:** 3/32, 7/64, 1/8, 9/64, 5/32, 3/16, 7/32, 1/4, 5/16, & 3/8"



Item #	Description	Std Pkg
148-53610	10pc 6" Cushion T-Handle 3/32-3/8" SAE Hex Key	1 ea

Cushion T-Handle - Metric

- **Sizes:** 2, 2.5, 3, 4, 5, 6, 8, & 10mm



Item #	Description	Std Pkg
148-56168	8pc 6" Cushion T-Handle 2-10mm Metric Hex Key	1 ea



Cushion T-Handle - Metric

- **Sizes:** 2, 2.5, 3, 4, 5, & 6mm



Item #	Description	Std Pkg
148-55166	6pc 6" Cushion T-Handle 2-6mm Metric Hex Key	1 ea

Cushion T-Handle - Metric

- **Sizes:** 2, 2.5, 3, 4, 5, 6, 8, & 10mm



Item #	Description	Std Pkg
148-55168	8pc 6" Cushion T-Handle 2-10mm Metric Hex Key	1 ea

Cushion T-Handle

- Heat treated alloy steel
- Black finish to resist rust
- Cushion grip T-keys have a vinyl surface
- Made in U.S.A.



Item #	Description	Std Pkg
148-51605	5/64" Cushion T-Handle 6" Hex Key	12 ea
148-51606	3/32" Cushion T-Handle 6" Hex Key	12 ea
148-51616	1/4" Cushion T-Handle 6" Hex Key	6 ea
148-51620	5/16" Cushion T-Handle 6" Hex Key	6 ea

Cushion T-Handle - Metric

- Heat treated alloy steel
- Black finish to resist rust
- Cushion grip T-keys have a vinyl surface
- Made in U.S.A.



Item #	Description	Std Pkg
148-54940	4mm Cushion T-Handle 9" Hex Key	6 ea

Power-T T-Handle

- **Sizes:** 5/64, 3/32, 7/64, 1/8, 9/64, 5/32, 3/16, 7/32, 1/4, 5/16, & 3/8"



Item #	Description	Std Pkg
148-60614	11pc 6" Power-T T-Handle 5/64-3/8" SAE Hex Key	1 ea

Power-T T-Handle

- **Sizes:** 5/64, 3/32, 7/64, 1/8, 9/64, 5/32, 3/16, 7/32, & 1/4"



Item #	Description	Std Pkg
148-60609	9pc 6" Power-T T-Handle 5/64-1/4" SAE Hex Key	1 ea

Power-T T-Handle

- **Sizes:** 5/64, 3/32, 7/64, 1/8, 9/64, 5/32, 3/16, 7/32, 1/4, 5/16, & 3/8"



Item #	Description	Std Pkg
148-60914	11pc 9" Power-T T-Handle 5/64-3/8" Hex Key	1 ea

Power-T T-Handle

- **Sizes:** 5/64, 3/32, 7/64, 1/8, 9/64, 5/32, 3/16, 7/32, 1/4, 5/16, & 3/8"



Item #	Description	Std Pkg
148-60611	11pc 6" Power-T T-Handle 5/64-3/8" SAE Hex Key	1 ea

Power-T T-Handle - Metric

- **Sizes:** 2, 2.5, 3, 4, 5, 6, 8, & 10mm



Item #	Description	Std Pkg
148-64611	8pc 6" Power-T T-Handle 2-10mm Metric Hex Key	1 ea

Power-T T-Handle - Metric

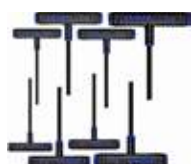
- **Sizes:** 2, 2.5, 3, 4, 5, & 6mm



Item #	Description	Std Pkg
148-64606	6pc 6" Power-T T-Handle 2-6mm Metric Hex Key	1 ea

Power-T T-Handle - Metric

- **Sizes:** 2, 2.5, 3, 4, 5, 6, 8, & 10mm



Item #	Description	Std Pkg
148-64608	8pc 6" Power-T T-Handle 2-10mm Metric Hex Key	1 ea



Power-T T-Handle - Torx

- **Sizes:** T6, T7, T8, T9, T10, T15, T20, & T25



Item #	Description	Std Pkg
148-68689	8pc 6" Power-T T-Handle T6-T25 Torx Hex Key	1 ea

Power-T T-Handle



- Heat treated alloy steel
- Black finish to resist rust
- Soft, textured overmold handles for extra comfort, slip resistance & safety
- Made in U.S.A.

Item #	Description	Std Pkg
148-61908	1/8" Power-T T-Handle 9" Hex Key	1 ea
148-61909	9/64" Power-T T-Handle 9" Hex Key	4 ea
148-61910	5/32" Power-T T-Handle 9" Hex Key	4 ea
148-61912	3/16" Power-T T-Handle 9" Hex Key	4 ea
148-61920	5/16" Power-T T-Handle 9" Hex Key	2 ea

Power-T T-Handle - Metric



- Heat treated alloy steel
- Black finish to resist rust
- Soft, textured overmold handles for extra comfort, slip resistance & safety
- Made in U.S.A.

Item #	Description	Std Pkg
148-64930	3mm Power-T T-Handle 9" Hex Key	4 ea

Screwdriver - Ball Hex

- **Sizes:** 1.5, 2, 2.5, 3, 4, 5, 6, 8, & 10mm



Item #	Description	Std Pkg
148-90609	9pc 1.5-10mm Ball Hex Screwdriver Set	1 ea

Screwdriver - Ball Hex

- **Sizes:** .050, 1/16, 5/64, 3/32, 7/64, 1/8, 9/64, 5/32, 3/16, 7/32, 1/4, 5/16, & 3/8"



Item #	Description	Std Pkg
148-90113	13pc .050-3/8" Ball Hex Screwdriver Set	1 ea



Line Level



- Unbendable open hooks allow level to slide freely
- Lightweight construction minimizes line sag
- Pocket clip will guard tool against loss
- 1/8" increments

Item #	Description	Std Pkg
242-83-3	3" Standard Line Level	10 ea

Heavy-Duty Magnetic Torpedo Level



- Heavy duty extruded aluminum frame
- Strong hold magnetic edge
- V-grooved edge

Item #	Description	Std Pkg
242-EM81.9	9" Heavy Duty Magnetic Torpedo Level	1 ea

Magnetic Tool Box Level



- True Blue vials, superior accuracy, durability and visibility
- Heavy duty 12-inch extruded aluminum frame
- 4 vials read plumb, level
- Powerful, full length magnetic edge
- Made in USA

Item #	Description	Std Pkg
242-EM81.12	12" True Blue Magnetic Tool Box Level	1 ea

Magnetic Polycast Torpedo Level



- Non-conductive frame insulates from heat, cold and electricity
- Strong, accurate 9" Polycast® frame
- Strong holding magnetic edge

Item #	Description	Std Pkg
242-331-9	9" Poly Magnet Torpedo Level Yellow	1 ea

Magnetic Torpedo Level



- Durable acrylic vials
- 9" Solid aluminum frame
- Magnetic edge frees hands

Item #	Description	Std Pkg
242-581-9	9" Blue Magnet Torpedo Level	1 ea



Bullseye Level



- 1-3/8" size makes it pocket-sized
- Levels in all directions
- Accurate up to 0.001"
- Made in USA

Item #	Description	Std Pkg
242-3604	Bullseye Round Level	1 ea

Protractor



- Easy read dial
- Magnetic base
- Adjustable angle pointer

Item #	Description	Std Pkg
242-36	Magnetic Polycast Protractor	1 ea

Framing Square



- 24" x 2" body, 16" x 1-1/2" tongue, 1/16" thick
- 1/8" permanently stamped numbers
- Protective epoxy finish to prevent rust

Item #	Description	Std Pkg
242-1110	16" X 24" Steel Framing Square	1 ea

Rafter Square



- Solid aluminum extruded square will not bend or break
- Thick edge makes for a safer saw guide
- Aluminum will not rust or corrode
- Stamped conversion tables

Item #	Description	Std Pkg
242-2990	7" Heavy Duty Magnum Rafter Square	1 ea

Rafter Square



- Solid aluminum extruded square will not bend or break
- Thick edge makes for a safer saw guide
- Aluminum will not rust or corrode
- Stamped conversion tables

Item #	Description	Std Pkg
242-3990	12" Heavy Duty Magnum Rafter Square	1 ea

Digital Calipers



- Hardened ss w/satin chrome finish
- Uses SR44W replacement battery
- LCD display w/auto power off
- 3 way measuring

Item #	Description	Std Pkg
242-2789	0-6" Digital Electronic Caliper 3 Way Measuring	1 ea

Dial Calipers



- Direct dial reading in inch and mm
- 4 way measuring, inside, outside, depth and step
- Measurements by .01 and 64ths
- Fiberglass reinforced nylon with milled jaws

Item #	Description	Std Pkg
242-2787	6" Dial Calipers .001 Inch	1 ea



Thermoplastic Hydraulic Hose



- Featuring a 4:1 safety factor
- Crimped-on rubber stain relief
- Polyurethane jacket

Item #	Description	Std Pkg
080-H-7206	6' x .25" Internal Diameter Hose Assembly	1 ea
080-H-7210	10' x .25" Internal Diameter Hose Assembly	1 ea

Rubber Hydraulic Hose



- Most complete offering
- Flexible with "little memory"
- Rubber coated w/ 2 layers of steel wire braids

Item #	Description	Std Pkg
080-H-9203	3' x .25" Internal Diameter Hose Assembly	1 ea
080-H-9206	6' x .25" Internal Diameter Hose Assembly	1 ea
080-H-9210	10' x .25" Internal Diameter Hose Assembly	1 ea

Thermoplastic Hydraulic Hose w/ Coupler



- Polyurethane outer jacket
- 10,000 PSI work pressure
- 2 layers of steel wire braids
- Featuring a 4:1 design factor

Item #	Description	Std Pkg
080-HC-7210	10' Hose w/CH-604 3/8" NPTF .25" I.D. Assembly	1 ea

Rubber Hydraulic Hose w/ Coupler



- Most complete offering
- Flexible with "little memory"
- Rubber coated w/ 2 layers of steel wire braids

Item #	Description	Std Pkg
080-HC-9203	3' Hose w/CH-604 3/8" NPTF .25" I.D. Assembly	1 ea
080-HC-9206	6' Hose w/CH-604 3/8" NPTF .25" I.D. Assembly	1 ea
080-HC-9210	10' Hose w/CH-604 3/8" NPTF .25" I.D. Assembly	1 ea
080-HC-9306	6' Hose w/CH-604 3/8" NPTF .38" I.D. Assembly	1 ea
080-HC-9310	10' Hose w/CH-604 3/8" NPTF .38" I.D. Assembly	1 ea

ENERPAC

P-Series Lightweight Hand Pumps



- 10,000 PSI
- Durable glass-filled nylon reservoir
- Nylon encapsulated aluminum pump base

Item #	Description	Std Pkg
080-P-141	10,000 PSI Lightweight Single-Speed Hand Pump	1 ea

P-Series Lightweight Hand Pumps



- 10,000 PSI
- Durable glass-filled nylon reservoir
- Nylon encapsulated aluminum pump base

Item #	Description	Std Pkg
080-P-391	10,000 PSI Lightweight Single-Speed Hand Pump	1 ea

2-Speed Lightweight Hydraulic Hand Pump



- Two-speed operation
- Internal pressure relief valve
- Non-conductive fiberglass handle
- Durable glass-filled nylon reservoir
- Nylon encapsulated aluminum pump base

Item #	Description	Std Pkg
080-P-392	2-Speed Lightweight Hand Pump	1 ea

P-Series Lightweight 2 Speed Hand Pumps



- 400/10,000 PSI
- Durable glass-filled nylon reservoir
- Nylon encapsulated aluminum pump base

Item #	Description	Std Pkg
080-P-802	400/10,000 PSI Lightweight Hand Pump 2-Speed	1 ea

P-Series Lightweight 2 Speed Hand Pumps



- 400/10,000 PSI
- Durable glass-filled nylon reservoir
- Nylon encapsulated aluminum pump base

Item #	Description	Std Pkg
080-P-842	400/10,000 PSI Lightweight Hand Pump 2-Speed	1 ea

P-Series Lightweight 2 Speed Hand Pumps



- 10,000 PSI
- Durable glass-filled nylon reservoir
- Nylon encapsulated aluminum pump base

Item #	Description	Std Pkg
080-P-142	10,000 PSI Lightweight 2-Speed Hand Pump	1 ea

P-Series Lightweight 2 Speed Hand Pumps



- 10,000 PSI
- Durable glass-filled nylon reservoir
- Nylon encapsulated aluminum pump base

Item #	Description	Std Pkg
080-P-202	10,000 PSI Lightweight 2-Speed hand Pump	1 ea

P-Series Steel Hand Pumps



- All steel construction
- Vent free reservoir eliminates spills
- Quick grip handle for easy transport
- Chrome plated plunger & wiper system

Item #	Description	Std Pkg
080-P-39	10,000 PSI Steel Single-Speed Hand Pump	1 ea

P-Series Steel 2 Speed Hand Pumps



- 500/10,000 PSI
- Durable glass-filled nylon reservoir
- Nylon encapsulated aluminum pump base

Item #	Description	Std Pkg
080-P-77	500/10,000 PSI 2-Stage Steel Hand Pump 2-Speed	1 ea

P-Series Steel 2 Speed Hand Pumps



- 500/10,000 PSI
- Durable glass-filled nylon reservoir
- Nylon encapsulated aluminum pump base

Item #	Description	Std Pkg
080-P-80	500/10,000 PSI 2-Stage Steel Hand Pump 2-Speed	1 ea

P-Series Low Pressure Hand Pumps



- 2850 PSI
- 1" piston stroke
- External load-release valve
- Internal pressure-relief valve

Item #	Description	Std Pkg
080-P-18	2850 PSI Single-Speed Low Pressure and Pump	1 ea

P-Series Low Pressure Hand Pumps



- 3,000 PSI
- Low-pressure, steel hand pump
- Internal pressure relief valve

Item #	Description	Std Pkg
080-P-51	3000 PSI Lightweight Single Speed Hand Pump	1 ea



PA-Series Air Hydraulic Pump



- 3 position treadle
- With swivel couplings
- Base mounting slots provided

Item #	Description	Std Pkg
080-PA-133	10,000 PSI Single-Speed Air Hand Pump	1 ea

PA-Series Turbo II Air Hydraulic Pump



- 3-way treadle
- 10,000 PSI work pressure
- 10 ton bolting tool capacity

Item #	Description	Std Pkg
080-PATG-1102N	10,000 PSI Turbo II Air Pump w/3-Way Treadle	1 ea

5 Ton Single-Action Cylinder



- Single-acting hydraulic 5 ton cylinder
- Round body with single piston rod
- High-strength alloy steel with baked enamel finish for corrosion resistance

Item #	Description	Std Pkg
080-RC-50	5 Ton Cylinder Single-Action w/.63" Stroke	1 ea

5 Ton Single-Action Cylinder



- Single-acting hydraulic cylinder
- Round body with single piston rod
- High-strength alloy steel with baked enamel finish for corrosion resistance
- 5-ton cylinder capacity for lifting or pushing

Item #	Description	Std Pkg
080-RC-51	5 Ton Cylinder Single-Action 1" Stroke	1 ea

5 Ton Single-Action Cylinder



- Single-acting hydraulic cylinder
- Round body with single piston rod
- High-strength alloy steel with baked enamel finish for corrosion resistance
- 5-ton cylinder capacity for lifting or pushing

Item #	Description	Std Pkg
080-RC-53	5 Ton Cylinder Single-Action 3" Stroke	1 ea

5 Ton Single-Action Cylinder



- Single-acting hydraulic cylinder
- Round body with single piston rod
- High-strength alloy steel with baked enamel finish for corrosion resistance
- 5-ton cylinder capacity for lifting or pushing

Item #	Description	Std Pkg
080-RC-55	5 Ton Cylinder Single-Action 5" Stroke	1 ea

10 Ton Single-Action Cylinder



- Single-acting hydraulic cylinder
- Round body with single piston rod
- High-strength alloy steel with baked enamel finish for corrosion resistance
- 10-ton cylinder capacity for lifting or pushing

Item #	Description	Std Pkg
080-RC-101	10 Ton Cylinder Single-Action 1" Stroke	1 ea

10 Ton Single-Action Cylinder



- Single-acting hydraulic cylinder
- Round body with single piston rod
- High-strength alloy steel with baked enamel finish for corrosion resistance
- 10-ton cylinder capacity for lifting or pushing

Item #	Description	Std Pkg
080-RC-104	10 Ton Cylinder Single-Action 4.13" Stroke	1 ea

10 Ton Single-Action Cylinder



- 8" stroke
- Cr-400 coupler & dust cap included
- Gr2 bearing design – reduces wear
- High strength alloy steel

Item #	Description	Std Pkg
080-RC-108	10 Ton Cylinder Single-Action 8" Stroke	1 ea

10 Ton Single-Action Cylinder



- 10.13" stroke
- Cr-400 coupler & dust cap included
- Gr2 bearing design – reduces wear
- High strength alloy steel

Item #	Description	Std Pkg
080-RC-1010	10 Ton Cylinder Single-Action 10.3" Stroke	1 ea

10 Ton Single-Action Cylinder



- 14" stroke
- Cr-400 coupler & dust cap included
- Gr2 bearing design – reduces wear
- High strength alloy steel

Item #	Description	Std Pkg
080-RC-1014	10 Ton Cylinder Single-Action 14" Stroke	1 ea

15 Ton Single-Action Cylinder



- 2" stroke
- Cr-400 coupler & dust cap included
- Gr2 bearing design – reduces wear
- High strength alloy steel

Item #	Description	Std Pkg
080-RC-152	15 Ton Cylinder Single-Action 2" Stroke	1 ea

ENERPAC

15 Ton Single-Action Cylinder



- 4" stroke
- Cr-400 coupler & dust cap included
- Gr2 bearing design – reduces wear
- High strength alloy steel

Item #	Description	Std Pkg
080-RC-154	15 Ton Cylinder Single-Action 4" Stroke	1 ea

15 Ton Single-Action Cylinder



- 6" stroke
- Cr-400 coupler & dust cap included
- Gr2 bearing design – reduces wear
- High strength alloy steel

Item #	Description	Std Pkg
080-RC-156	15 Ton Cylinder Single-Action 6" Stroke	1 ea

25 Ton Single-Action Cylinder



- 1" stroke
- Cr-400 coupler & dust cap included
- Gr2 bearing design – reduces wear
- High strength alloy steel

Item #	Description	Std Pkg
080-RC-251	25 Ton Cylinder Single-Action 1" Stroke	1 ea

25 Ton Single-Action Cylinder



- 8.25" stroke
- Cr-400 coupler & dust cap included
- Gr2 bearing design – reduces wear
- High strength alloy steel

Item #	Description	Std Pkg
080-RC-258	25 Ton Cylinder Single-Action 8.25" Stroke	1 ea

50 Ton Single-Action Cylinder



- 2" stroke
- Cr-400 coupler & dust cap included
- Gr2 bearing design – reduces wear
- High strength alloy steel

Item #	Description	Std Pkg
080-RC-502	50 Ton Cylinder Single-Action 2" Stroke	1 ea

50 Ton Single-Action Cylinder



- 6.25" stroke
- Cr-400 coupler & dust cap included
- Gr2 bearing design – reduces wear
- High strength alloy steel

Item #	Description	Std Pkg
080-RC-506	50 Ton Cylinder Single-Action 6.25" Stroke	1 ea

12 Ton Single-Action/Hollow Plunger Cylinder



- Floating center tube
- Allows for both pull & push forces
- Baked enamel finish for corrosion resistance
- Contains FZ-1630 reducer & CR-400 coupler

Item #	Description	Std Pkg
080-RCH-123	12 Ton Holl-O-Cylinder Single-Action 3" Stroke	1 ea

20 Ton Single-Action/Hollow Plunger Cylinder



- Floating center tube
- Nickel-plated cylinders
- Allows for both pull & push forces
- Baked enamel finish for corrosion resistance

Item #	Description	Std Pkg
080-RCH-206	20 Ton Holl-O-Cylinder Single-Action 6.10" Stroke	1 ea

30 Ton Single-Action/Hollow Plunger Cylinder



- Floating center tube
- Baked enamel finish for corrosion resistance
- Contains FZ-1630 reducer & CR-400 coupler
- Nickel plated cylinders

Item #	Description	Std Pkg
080-RCH-302	30 Ton Holl-O-Cylinder Single-Action 2.50" Stroke	1 ea

30 Ton Single-Action/Hollow Plunger Cylinder



- Floating center tube
- Allows for both pull & push forces
- Baked enamel finish for corrosion resistance
- Contains FZ-1630 reducer & CR-400 coupler
- Nickel plated cylinders

Item #	Description	Std Pkg
080-RCH-306	30 Ton Holl-O-Cylinder Single-Action 6.13" Stroke	1 ea

10 Ton Single-Action/Low Height Cylinder



- Grooved plunger, plated
- Lightweight low profile design
- Baked enamel finish for corrosion resistance

Item #	Description	Std Pkg
080-RCS-101	10 Ton Cylinder Single-Action 1.5" Stroke	1 ea



20 Ton Single-Action/Low Height Cylinder



- Grooved plunger, plated
- Lightweight low profile design
- Baked enamel finish for corrosion resistance

Item #	Description	Std Pkg
080-RCS-201	20 Ton Cylinder Single-Action 1.75" Stroke	1 ea

30 Ton Single-Action/Low Height Cylinder



- Grooved plunger, plated
- Lightweight low profile design
- Baked enamel finish for corrosion resistance

Item #	Description	Std Pkg
080-RCS-302	30 Ton Cylinder Single-Action 2.44" Stroke	1 ea

5 Ton Flat-Jac Single-Action/Low Height Cylinder



- Compact flat design
- Mounting holes permits easy fixturing
- Hard chrome plated high quality steel plungers

Item #	Description	Std Pkg
080-RSM-50	5 Ton Flat-Jac Cylinder Single-Action	1 ea

10 Ton Flat-Jac Single-Action/Low Height Cylinder



- Compact flat design
- Mounting holes permits easy fixturing
- Hard chrome plated high quality steel plungers

Item #	Description	Std Pkg
080-RSM-100	10 Ton Flat-Jac Cylinder Single-Action	1 ea

20 Ton Flat-Jac Single-Action/Low Height Cylinder



- Compact flat design
- Mounting holes permits easy fixturing
- Hard chrome plated high quality steel plungers

Item #	Description	Std Pkg
080-RSM-200	20 Ton Flat-Jac Cylinder Single-Action	1 ea

30 Ton Flat-Jac Single-Action/Low Height Cylinder



- Compact flat design
- Mounting holes permits easy fixturing
- Hard chrome plated high quality steel plungers

Item #	Description	Std Pkg
080-RSM-300	30 Ton Flat-Jac Cylinder Single-Action	1 ea

50 Ton Flat-Jac Single-Action/Low Height Cylinder



- Compact flat design
- Mounting holes permits easy fixturing
- Hard chrome plated high quality steel plungers

Item #	Description	Std Pkg
080-RSM-500	50 Ton Flat-Jac Cylinder Single-Action	1 ea

Hi-Flow Hydraulic Coupler Set



- 10,000 & 11,000 PSI 1/4" couplers for wrench
- 10,000 PSI 3/8" couplers for cylinders & pumps

Item #	Description	Std Pkg
080-C-604	3/8" Hi-Flow Hydraulic Coupler Set	1 ea

Hose Half for a C-604



- 10,000 & 11,000 PSI 1/4 couplers for torque wrench
- 10,000 PSI 3/8" couplers for cylinders, tools & pumps

Item #	Description	Std Pkg
080-CH-604	Hose Half (Male) for a C-604	1 ea

Cylinder Half for a C-604



- 10,000 & 11,000 PSI 1/4" couplers for torque wrench
- 10,000 PSI 3/8" couplers for cylinders, tools & pumps

Item #	Description	Std Pkg
080-CR-400	Cylinder Half (Female) for a C-604	1 ea

NPT Reducer Connector



- High pressure fitting
- 10,000 PSI for connection of hydraulic components

Item #	Description	Std Pkg
080-FZ-1055	1/4"-18 M x 3/8"-18 F NPT Reducer Connector	1 ea

Tee Fitting



- High pressure fitting
- 10,000 PSI for proper connection of hydraulic components

Item #	Description	Std Pkg
080-FZ-1612	3/8" Tee Fitting	1 ea

Coupling Fitting



- High pressure fitting
- 10,000 PSI for proper connection of hydraulic components

Item #	Description	Std Pkg
080-FZ-1614	3/8" Coupling Fitting	1 ea

Close Nipple Fitting



- High pressure fitting
- 10,000 psi for proper connection of hydraulic components

Item #	Description	Std Pkg
080-FZ-1617	3/8" Close Nipple Fitting	1 ea

ENERPAC

6" NPT Gauge Adaptor



- 3rd port is for gauge connection
- Female end accepts hose or coupler
- Male end screws into pump or cylinder port

Item #	Description	Std Pkg
080-GA-2	1/2" Port x 6" x 3/8" NPT (M&F) Gauge Adaptor	1 ea

5-1/4" NPT Gauge Adaptor



- 3rd port is for gauge connection
- Female end accepts hose or coupler
- Male end screws into pump or cylinder port

Item #	Description	Std Pkg
080-GA-3	1/4" Port x 5-1/4" x 3/8" NPT (M&F) Gauge Adaptor	1 ea

Wedgie Spreader



- Single-acting spring return
- For use in a very confined work area

Item #	Description	Std Pkg
080-WR-5	1 Ton Spreader-Wedgie For Confined Area	1 ea

Hydraulic Oil - 1 Gal



- Prevents cavitation
- Maximum heat transfer
- Four 1 gal jugs per case
- Anti-sludge, rust, & foam additives
- Specially formulated for power pumps

Item #	Description	Std Pkg
080-HF-101	1 gal Hydraulic Oil - Four Jugs Per Case	1 cs

Hydraulic Oil - 2-1/2 Gal



- Prevents cavitation
- Maximum heat transfer
- Two 2-1/2 gal jugs per case
- Anti-sludge, rust, & foam additives
- Specially formulated for power pumps

Item #	Description	Std Pkg
080-HF-102	2-1/2 gal Hydraulic Oil - Two Jugs Per Case	1 cs

2-1/2" Face Pressure Gauge



- Safety blow-out disk
- Pressure equalizing membrane
- Glycerine filled hydraulic pressure gauge
- Calibrated in dual scale reading in psi and bar

Item #	Description	Std Pkg
080-G2536L	0-15,000 PSI Hydraulic Pressure Gauge	1 ea

4" Face Pressure Gauge



- Safety blow-out disk
- Pressure equalizing membrane
- Glycerine filled hydraulic pressure gauge
- Calibrated in dual scale reading in PSI and BAR

Item #	Description	Std Pkg
080-G4088L	4" Face 0-10,000 PSI Hydraulic Pressure Gauge	1 ea



Alkaline Batteries - AAA



- Zero Mercury
- Excellent Shelf Life
- Long Lasting Power

Item #	Description	Std Pkg
009-EN92	AAA Alkaline Battery	144 ea

Alkaline Batteries - AA



- Zero Mercury
- Excellent Shelf Life
- Long Lasting Power

Item #	Description	Std Pkg
009-EN91	AA Alkaline Battery	144 ea

Alkaline Batteries - C



- Zero Mercury
- Excellent Shelf Life
- Long Lasting Power

Item #	Description	Std Pkg
009-EN93	C Alkaline Battery	72 ea

Alkaline Batteries - D



- Zero Mercury
- Excellent Shelf Life
- Long Lasting Power

Item #	Description	Std Pkg
009-EN95	D Alkaline Battery	72 ea

Alkaline Batteries - 9V



- Zero Mercury
- Excellent Shelf Life
- Long Lasting Power

Item #	Description	Std Pkg
009-EN22	9V Alkaline Battery	72 ea



Alkaline Batteries - 6V



- Zero Mercury
- Excellent Shelf Life
- Long Lasting Power

Item #	Description	Std Pkg
009-EN529	6V Spring Top Alkaline Battery	6 ea

Super Heavy Duty Batteries - AA



- Ready to use for up to 3 years
- Quality seal for trusted power
- Leak resistance guaranteed
- Zero added mercury

Item #	Description	Std Pkg
009-1215	AA Super Heavy Duty Battery	192 ea

Super Heavy Duty Batteries - C



- Ready to use for up to 3 years
- Quality seal for trusted power
- Leak resistance guaranteed
- Zero added mercury

Item #	Description	Std Pkg
009-1235	C Super Heavy Duty Battery	192 ea

Super Heavy Duty Batteries - D



- Ready to use for up to 3 years
- Quality seal for trusted power
- Leak resistance guaranteed
- Zero added mercury

Item #	Description	Std Pkg
009-1250	D Super Heavy Duty Battery	192 ea

Super Heavy Duty Batteries - 9V



- Ready to use for up to 3 years
- Quality seal for trusted power
- Leak resistance guaranteed
- Zero added mercury

Item #	Description	Std Pkg
009-1222	9V Super Heavy Duty 9V Battery	72 ea

Super Heavy Duty Batteries - 6V



- Ready to use for up to 3 years
- Quality seal for trusted power
- Leak resistance guaranteed
- Zero added mercury

Item #	Description	Std Pkg
009-1209	6V Super Heavy Duty Battery Square Spring	12 ea

Lithium Batteries - 3V



- Coin Cell
- Battery Size 2032
- Battery Chemistry Lithium
- Voltage 3, Diameter 20mm

Item #	Description	Std Pkg
009-ECR2032BP	3V Lithium Battery Flat Disc	6 ea

Lithium Batteries - 123



- Lithium technology gives these batteries a ten-year shelf life
- Three volts of power keeps your electronics up and running
- Provides power and consistency to any compatible electronic device

Item #	Description	Std Pkg
009-EL123APB2	3V E2 Lithium #123 Flashlight/Photo Battery	6 ea

Vision LED Headlight



- 80 lumens
- Two light modes
- Distance up to 30 meters
- Includes (3) AAA batteries
- Up to 7 hours of bright light
- Quickly adjusting pivoting head

Item #	Description	Std Pkg
009-HDA32E	3AAA LED Headlight 80 Lumens	4 ea

Industrial Flashlight



- 35 Lumens
- Weatherproof
- Resistant to Staining & Corrosion

Item #	Description	Std Pkg
009-1251L	2D LED Heavy Duty Industrial Flashlight	12 ea

Industrial Flashlight



- 17 Lumens
- Anti-Roll, durable
- Shatterproof lens
- Flip-up hanger ring

Item #	Description	Std Pkg
009-EVEL25IN	2D Cell Industrial Flashlight	12 ea

Floating Lantern



- LED, 80 lumens
- 2 - D batteries

Item #	Description	Std Pkg
009-EVFL45SH	2D Floating Lantern 80 Lumens	8 ea



Glove Grabber Clips - Blue



- Keep gloves and other items handy
- Clips to clothing, belts, tool belts, D-rings
- Dielectric/ non-conductive material
- Durable, ultra-resilient acetal copolymer

Item #	Description	Std Pkg
263-19117	3400 Blue Squids Glove Grabber Clips	6 ea

Glove Grabber Clips - Orange



- Keep gloves and other items handy
- Clips to clothing, belts, tool belts, D-rings
- Dielectric/ non-conductive material
- Durable, ultra-resilient acetal copolymer

Item #	Description	Std Pkg
263-19118	3400 Orange Squids Glove Grabber Clips	6 ea

Single Carabiner Tool Lanyard



- Standard: 35in - 42in, Extended: 42in - 54in
- Reflective accent for higher visibility
- Maximum safe working capacity: 10lbs

Item #	Description	Std Pkg
263-3100	Tool Lanyard (19002)	1 ea



Drilling Hammer



- Blue UV coating
- Bonded and molded grip
- Nylon vinyl shock reduction grip
- Forged one piece head and handle
- Made in the USA

Item #	Description	Std Pkg
149-B3-2LB	2 lb Drilling Hammer - 10.5" Handle	4 ea
149-B3-3LB	3 lb Drilling Hammer - 11" Handle	2 ea
149-B3-4LB	4 lb Drilling Hammer - 11.5" Handle	4 ea

Drilling Hammer - Long Handle



- Blue UV coating
- Bonded and molded grip
- Nylon vinyl shock reduction grip
- Forged one piece head and handle
- Made in the USA

Item #	Description	Std Pkg
149-B3-4LBL	4 lb Drilling Hammer - 16" Handle	2 ea

Rock Pick - Long Handle



- Fully polished head
- Bonded and molded grip
- Nylon vinyl shock reduction grip
- Forged one piece head and handle
- Made in the USA

Item #	Description	Std Pkg
149-E3-23LP	22 oz Pointed Tip Rock Pick - Long Handle	4 ea

Riggers Axe



- Solid America Steel
- Milled Face
- 3.6" edge
- 17" length
- Blue Shock Reduction Grip®
- Made in the U.S.A.

Item #	Description	Std Pkg
149-E3-R	Rigger's Axe Long Handle Milled Face	2 ea

Welding Chipping Hammer



- Solid America Steel
- 11" overall length
- 14 oz. head weight
- Blue Shock Reduction Grip®
- Made in the U.S.A.

Item #	Description	Std Pkg
149-E3-WC	14 oz Chipping Hammer	4 ea

Campers Axe



- Hand Sharpened Edge
- 4" edge
- 26" length
- Blue Shock Reduction Grip®
- Blue Nylon Sheath Included
- Made in the U.S.A.

Item #	Description	Std Pkg
149-E45A	Camper's Axe-All Steel 26" Handle	1 ea

Black Eagle Double Bit Axe



- Hand Sharpened Edge
- 17" length
- Two chopping edges
- Black Shock Reduction Grip®
- Black Nylon Sheath Included
- Made in the U.S.A.

Item #	Description	Std Pkg
149-EBDBA	Black Eagle Double Bit Axe - Black	2 ea



Black Eagle Tomahawk Axe



- Hand Sharpened Edge
- 16" length
- Pointed tip for breaching
- Desert Sand Shock Reduction Grip®
- Desert Camo Nylon Sheath Included
- Made in the U.S.A.

Item #	Description	Std Pkg
149-ETTA	Desert Camo Tomahawk	2 ea



16 oz Single Eye Wash Station



- Portable and readily available emergency eyewash bottles
- Buffered saline solution is sterile and superior to tap water
- Includes one saline solution bottle
- Wall mountable

Item #	Description	Std Pkg
100-32-000460	16 oz Single Eye Wash Station	8 ea

32 oz Single Eye Wash Station



- Portable and readily available emergency eyewash bottles
- Buffered saline solution is sterile and superior to tap water
- Includes one saline solution bottle
- Wall mountable

Item #	Description	Std Pkg
100-32-000461	32 oz Single Eye Wash Station	8 ea

16 oz Eyewash Refill



- Portable and readily available emergency eyewash bottles
- Buffered saline solution is sterile and superior to tap water

Item #	Description	Std Pkg
100-32-000454-0000	16 oz Eyewash Refill	12 ea

32 oz Eyewash Refill



- Portable and readily available emergency eyewash bottles
- Buffered saline solution is sterile and superior to tap water

Item #	Description	Std Pkg
100-32-000455-0000	32 oz Eyewash Refill	12 ea



BBP Protective Apparel w/CPR



- Biohazard bag
- Clean up wipes
- CPR face mask
- Eye and face shield
- Isolation gown and gloves

Item #	Description	Std Pkg
240-21-755	BBP Protective Apparel Pack w/CPR Mask	1 ea

BBP Protective Apparel



- Biohazard bag
- Clean up wipes
- Eye and face shield
- Isolation gown and gloves

Item #	Description	Std Pkg
240-21-765	BBP Protective Apparel Pack	1 ea

BBP Protective Kit w/CPR



- 28 pieces
- CPR protection kit
- 2 emergency response kit in 1
- BPB cleanup & protection kit for spills

Item #	Description	Std Pkg
240-3065	BBP Industrial Kit w/CPR Mask	1 ea

First Aid Burn Care Kit



- Gloves
- 13 pieces
- Bandages
- EMT shears
- Water jel burn dressing

Item #	Description	Std Pkg
240-3030	Burn Care Kit w/Soft Pouch 13 pc	1 ea

10 Person First Aid Kit



- 57 pieces
- Plastic case
- Carrying handle
- Wall mountable
- OSHA compliant
- 10 person first aid kit
- Thermoformed interior tray

Item #	Description	Std Pkg
240-6060	#10 First Aid Kit Weatherproof Case 57pcs	12 ea

FIRST AID ONLY

25 Person OSHA First Aid Kit



- 94 pieces
- 25 person kit
- Plastic case
- Carrying handle
- OSHA compliant
- Wall mountable
- Weatherproof gasket

Item #	Description	Std Pkg
240-6082	#25 First Aid Kit Weatherproof Case 94 pcs	12 ea

Contractor 159 pcs Kit Plastic Case



- 159 pieces
- Carrying handle
- Wall mountable
- OSHA compliant
- 25 person contractor kit
- Weatherproof plastic case

Item #	Description	Std Pkg
240-6084	#25 First Aid Kit Weatherproof Case 159 pcs	12 ea

ANSI 207 pcs Kit Steel Case



- 207 pieces
- 50 person kit
- Wall mountable
- Carrying handle
- OSHA compliant
- Rugged steel case

Item #	Description	Std Pkg
240-6120	#50 First Aid Kit Steel Case 207 pcs	6 ea

10 Person Vehicle First Aid Kit



- 76 pieces
- Wall mountable
- Carrying handle
- OSHA compliant
- 10 person vehicle kit
- Weatherproof steel kit

Item #	Description	Std Pkg
240-6400	#10 Vehicle First Aid Kit Waterproof Case 76 pcs	12 ea

Vehicle 172 pcs Kit Steel Case



- 172 pieces
- Carrying handle
- 25 person vehicle kit
- Weatherproof steel case

Item #	Description	Std Pkg
240-6420	#25 Vehicle First Aid Kit Steel Case 172 pcs	12 ea

Vehicle 245 pcs Kit Steel Case



- 245 pieces
- 50 person kit
- Carrying handle
- ANSI Z38.1-2009 kit
- Weatherproof steel case

Item #	Description	Std Pkg
240-6450	#50 Vehicle First Aid Kit Steel Case 245 pcs	6 ea

Vehicle 195 pcs Kit Plastic Case



- 207 pieces
- 50 person kit
- Wall mountable
- Carrying handle
- OSHA compliant
- ANSI+Z308.1-2009 kit
- Weatherproof plastic case

Item #	Description	Std Pkg
240-6490	#50 First Aid Kit Weatherproof Case 195 pcs	6 ea

Snake Bite First Aid Kit



- 11 pieces
- Plastic case
- Venom extractor
- Ammonia inhalant
- Tourniquet / scalpel
- Bandages / cleaning wipes

Item #	Description	Std Pkg
240-7103	Snake Bite Kit 10 pcs	1 ea

75 Person First Aid Steel Cabinet



- 443 pieces
- Wall mountable
- OSHA compliant
- Carrying handle
- 75 person station
- 2 shelf steel cabinet

Item #	Description	Std Pkg
240-6135	2 Shelf First Aid Station 443 pcs	1 ea

100 Person First Aid Steel Cabinet



- 493 pieces
- Wall mountable
- Carrying handle
- OSHA compliant
- 75+ person station
- 3 shelf steel cabinet

Item #	Description	Std Pkg
240-6155	3 Shelf First Aid Station 493 pcs	1 ea

FIRST AID ONLY

150 Person First Aid Steel Cabinet



- 760 pieces
- Wall mountable
- Carrying handle
- 100 person station
- 4 shelf steel cabinet

Item #	Description	Std Pkg
240-6175	4 Shelf First Aid Station 760 pcs	1 ea

5 Shelf 2088 pcs Station



- 2088 pieces
- Wall mountable
- Carrying handle
- OSHA compliant
- 150+ person station
- 5 shelf steel cabinet

Item #	Description	Std Pkg
240-6195	5 Shelf First Aid Station w/Door Pouch 2088 pcs	1 ea

FIRST AID ONLY



32 oz Single Eye Wash Station



- Wall mount kit
- One 32 oz bottle of solution
- Eye cup for streaming fluid into affected eye

Item #	Description	Std Pkg
240-24-202-001	32 oz Single Eye Flush Station Takes 1 Bottle	6 ea

16 oz Twin Eye Wash Station



- Wall mount kit
- Two 16 oz bottles of solution
- Eye cup for streaming fluid into affected eye

Item #	Description	Std Pkg
240-24-102-001	16 oz Twin Eye Flush Station Takes 2 Bottles	6 ea

32 oz Twin Eye Wash Station



- Wall mount kit
- Two 32 oz bottles of solution
- Eye cup for streaming fluid into affected eye

Item #	Description	Std Pkg
240-24-300-001	32 oz Twin Eye Flush Station Takes 2 Bottles	6 ea

Eye Wash Refill - 16 oz



- Refill solution for eye wash station
- Available in 16 oz and 32 oz bottles
- Sterile isotonic buffered solution
- For flushing or irrigating eyes

Item #	Description	Std Pkg
240-24-101-001	16 oz Refill Bottle for 24-102 1 Per Station	12 ea

Eye Wash Refill - 32 oz



- 32 oz eyewash bottle, screw cap
- Sterile isotonic buffered solution
- Helps to clear eyes of foreign material
- Plastic squeeze bottle and nozzle

Item #	Description	Std Pkg
240-24-201-001	32 oz Refill Bottle for 24-300 Station 2 Per Station	6 ea



Hot Water Hose



- 400 psi
- Made in USA
- 10 year warranty
- 3/4" for greater water flow
- Withstands hot water up to 180°F
- Heavy-duty crush proof solid brass couplings

Item #	Description	Std Pkg
175-FAR3450	3/4" x 50' Hot Water Hose 400 PSI	2 ea



Cleaner Degreaser Disinfectant



- Multi-purpose cleaner
- Spray. Wipe. Done.

Item #	Description	Std Pkg
182-35300	1 gal Cleaner/Degreaser	4 ea
182-35306	32 oz Cleaner/Degreaser	12 ea



CO & O2 Monitor



- Adjustable alarm set points
- Two-way IR communication
- Real-time gas reading capability
- Sensor reliability for H2S, CO, & O2

Item #	Description	Std Pkg
100-SGC-H	H2S Gas Clip Technologies CO, & O2 Monitor	1 ea



Regular Water Finding Paste



- Quickly and accurately detects water in fuel storage tanks
- Mustard yellow paste will turn red upon contact with water
- Driver-friendly flip cap

Item #	Description	Std Pkg
179-WT25	2.5 oz Tube Water Finding Paste	24 ea

All Purpose Water Finding Paste



- For all petroleum fuels
- Works in seconds & extreme temperatures
- Fast way to detect water in fuel storage tanks
- Paste will turn yellow-green upon contact with water

Item #	Description	Std Pkg
179-AP02	2 oz Tube Oil/Gas Gauging Paste	24 ea

Anaerobic Thread Sealant



- Not for use with oxygen
- Temperature Range: -65°F to 375°F
- Pressure Range: Seals to 10,000 PSI
- Forms a tough, insoluble, vibration-proof seal
- High-speed curing time without shrinkage

Item #	Description	Std Pkg
179-AS25	Anaerobic With PTFE 25 OML.Tube	10 ea

Soft-Set Thread Sealant with PTFE



- Remains pliable in cold temperatures
- Non-hardening, non-toxic paste with PTFE
- Use on threaded brass, copper, stainless steel, aluminum, black pipe, PVC nylon and galvanized pipe threads, hoses

Item #	Description	Std Pkg
179-SB32	1 qt Soft-Set PTFE Thread Sealant	6 ea
179-SS16	Soft-Set PTFE Thread Sealant	12 ea
179-SS32	1 qt Soft-Set PTFE Thread Sealant	6 ea

Premium Thread & Gasket Sealant



- Lead-free, non-hardening, non-toxic, opaque gray paste
- Adheres to iron, stainless steel, aluminum, plastics and synthetic rubber compounds
- Temperature range: -100° to 600°F
- UL Certified

Item #	Description	Std Pkg
179-PB16-N	PLS-2 Premium Thread & Gasket Sealant	6 ea

Free All Penetrating Oil



- Contains No silicones
- Specially formulated, rust eating agent
- Frees up all threaded pipe connections, rusted machine screws, bolts, nuts, clamps for mufflers and tail pipes, pillow blocks, universal joints, locks, etc.

Item #	Description	Std Pkg
179-RE12	Free All Penetrating Oil	12 ea

Expanding Foam



- Dries to the touch in 30 minutes, full cure in 4 hours
- Insulates and seals around duct work, pipes, etc.
- Can be sanded and painted
- Blocks insects and pests
- Mildew resistant

Item #	Description	Std Pkg
179-EF12	Expanding Foam Sealant	12 ea

Heavy Duty Cleaning Wipes



- 90 count
- No water necessary
- Durable fiber weave
- 10" x 12" heavy duty wipes
- Removes heavy stains others won't
- Contains lanolin, Aloe Vera, and Vitamin E

Item #	Description	Std Pkg
179-TW90	90 ct Heavy-Duty Cleaning Wipes	6 ea



20 oz Wide Mouth - Variety Pack



- 20 oz wide mouth bottles
- Rehydrate, replenish, refill
- Proven hydration with electrolytes
- Fluids, electrolytes, carbohydrates

Item #	Description	Std Pkg
169-20781	20 oz Variety Pack Wide Mouth Bottle (24/cs)	1 cs

20 oz Wide Mouth - G2 Grape



- 20 oz
- 24 bottles per case
- Ready to drink

Item #	Description	Std Pkg
169-20406	20oz Wide Mouth - G2 Grape	1 cs



20 oz Wide Mouth



- 24/cs
- 20 oz wide mouth bottles
- Rehydrate, replenish, refuel
- Proven hydration with electrolytes
- Fluids, electrolytes, carbohydrates

Item #	Description	Std Pkg
169-10247	20 oz Glacier Cherry Wide Mouth Bottle	1 cs
169-32481	20 oz Cool Blue Raspberry Wide Mouth Bottle	1 cs
169-32482	20 oz Fierce Grape Wide Mouth Bottle	1 cs
169-32486	20 oz Glacier Freeze Wide Mouth Bottle	1 cs
169-32488	20 oz Riptide Rush Wide Mouth Bottle	1 cs
169-32866	20 oz Fruit Punch Wide Mouth Bottle	1 cs
169-32867	20 oz Orange Wide Mouth Bottle	1 cs
169-32868	20 oz Lemon-Lime Wide Mouth Bottle	1 cs

20 oz Powder Sticks



- Tested in the lab and used by the pros
- Available in Fruit Punch, Lemon Lime, and Orange
- Top off your fuel stores with carb energy, your body's preferred source of fuel
- 1 case contains 8 packs of 8 powder sticks

Item #	Description	Std Pkg
169-13163	20 oz Lemon-Lime Powder Sticks (64/cs)	1 cs
169-13165	20 oz Orange Powder Sticks (64/cs)	1 cs
169-13166	20 oz Fruit Punch Powder Sticks (64/cs)	1 cs

Thirst Quencher Powder



- Instant powder enhances performance
- Delays fatigue and maintains strength
- Promotes rapid fluid absorption

Item #	Description	Std Pkg
169-03808	1 gal Powder Fruit Punch (40 packs/cs)	1 cs
169-03944	2.5 gal Powder Variety Pack (32 packs/cs)	1 cs
169-03956	1 gal Powder Lemon-Lime (40 packs/cs)	1 cs
169-03957	1 gal Powder Orange (40 packs/cs)	1 cs
169-03967	6 gal Powder Lemon-Lime (14 packs/cs)	1 cs
169-03968	6 gal Powder Orange (14 packs/cs)	1 cs
169-03969	2.5 gal Powder Lemon-Lime (32 packs/cs)	1 cs
169-03970	2.5 gal Powder Orange (32 packs/cs)	1 cs
169-33665	1 gal Powder Riptide Rush (40 packs/cs)	1 cs
169-33672	6 gal Powder Riptide Rush (14 packs/cs)	1 cs
169-33673	2.5 gal Powder Riptide Rush (32 packs/cs)	1 cs
169-33676	6 gal Powder Glacier Freeze (14 packs/cs)	1 cs
169-33677	2.5 gal Powder Glacier Freeze (32 packs/cs)	1 cs
169-33690	6 gal Powder Fruit Punch (14 packs/cs)	1 cs
169-33691	2.5 gal Powder Fruit Punch (32 packs/cs)	1 cs



Titan Chain Tong



- High-quality, drop forged steel jaws
- Heat-treated PETOL™ Special Chains
- Replacement parts are interchangeable with other standard brands of "single jaw" chain tongs

Item #	Description	Std Pkg
192-C112-P	C11-P Replacement Chain w/Master Link	1 ea
192-C11-P	Titan Chain Tong 1/8" - 1-1/2", 20" length	1 ea
192-C122-P	C12-P Replacement Chain w/Master Link	1 ea
192-C12-P	Titan Chain Tong 1/4"-2-1/2", 27" length	1 ea
192-C132-P	C13-P Replacement Chain w/Master Link	1 ea
192-C1352-P	Replacement Chain 1"-6" Pipe Size, 32" long	1 ea
192-C135-P	Titan Chain Tong 1"-6", 45" length	1 ea
192-C13-P	Titan Chain Tong 3/4"-4", 37" length	1 ea
192-C142-P	C14-P Replacement Chain w/Master Link	1 ea
192-C14-P	Titan Chain Tong 1-1/2"-8", 51" length	1 ea
192-C15-P	Titan Chain Tong 2"-12", 65" length	1 ea
192-C16-P	Titan Chain Tong 4"-18", 87" length	1 ea
192-C276-P	C27-P Replacement Chain w/Master Link	1 ea
192-C376-P	C37-P Replacement Chain w/Master Link	1 ea

C12-P Replacement Chain



- Heat treated Petol special chains

Item #	Description	Std Pkg
192-C122-56-P	C12-P 1/2" - 11-3/4" Replacement 47" Chain	1 ea

Titan Reversible Chain Tong



- Heat-treated PETOL™ Special Chains
- High-quality steel & heat-treated jaws Drop-forged steel & heavy-duty I-beam design handles
- Turn the pipe in either direction without removing the tong or unhooking the chain

Item #	Description	Std Pkg
192-C27-P	Titan Rev. Chain Tong 1/4"-2-1/2", 27" length	1 ea
192-C37-P	Titan Rev. Chain Tong 3/4"-4", 37" length	1 ea
192-C47-P	Titan Rev. Chain Tong 1"-6", 47" length	1 ea
192-C57-P	Titan Rev. Chain Tong 1-1/2"-8", 57" length	1 ea
192-C67-P	Titan Rev. Chain Tong 2"-12", 67" length	1 ea

Run Ticket Box - RTB1



- Spring loaded hinged lid
- Plastic transparent window
- The box is constructed from durable polyethylene

Item #	Description	Std Pkg
192-RTB1	Run Ticket Box Spring Loaded Hinged Lid	1 ea

GEARENCH™

Run Ticket Box - RTB2



- Plastic transparent window
- Clipboard mounted to the lid
- The box is constructed from durable polyethylene

Item #	Description	Std Pkg
192-RTB2	Run Ticket Box Clipboard Mounted Lid	1 ea

Petol Sight Glass



- Shatter-resistant polycarbonate
- 30X the impact resistance of safety glass

Item #	Description	Std Pkg
192-SG0500	Petol Sight Glass 2" x 8", 500 PSI	Bulk
192-SG0500-3	Petol Sight Glass 3" x 8", 500 PSI	Bulk
192-SG0500-4	Petol Sight Glass 4" x 8", 500 PSI	Bulk
192-SG1000	Petol Sight Glass 2" x 8", 1000 PSI	Bulk

Petol Connecting Link



- High-quality alloy steel
- 100% proof tested

Item #	Description	Std Pkg
192-X86	Petol Connecting Link 1/4" - 3/8"	Bulk

Petol Striking Wrench



- Large smooth striking surface
- Rockwell hardness

Item #	Description	Std Pkg
192-SW01	Petol S/W, 5/8" SS, 1-1/16" NS	Bulk
192-SW02	Petol S/W, 3/4" SS, 1-1/4" NS	Bulk
192-SW03	Petol S/W, 7/8" SS, 1-7/16" NS	Bulk
192-SW04	Petol S/W, 1" SS, 1-5/8" NS	Bulk
192-SW05	Petol S/W, 1-1/8" SS, 1-13/16" NS	Bulk
192-SW06	Petol S/W, 1-1/4" SS, 2" NS	Bulk
192-SW07	Petol S/W, 1-3/8" SS, 2-3/16" NS	Bulk
192-SW08	Petol S/W, 1-1/2" SS, 2-3/8" NS	Bulk
192-SW09	Petol S/W, 1-5/8" SS, 2-9/16" NS	Bulk
192-SW10	Petol S/W, 1-3/4" SS, 2-3/4" NS	Bulk
192-SW11	Petol S/W, 1-7/8" SS, 2-15/16" NS	Bulk
192-SW12	Petol S/W, 2" SS, 3-1/8" NS	Bulk
192-SW13	Petol S/W, 2-1/4" SS, 3-1/2" NS	Bulk
192-SW14	Petol S/W, 2-1/2" SS, 3-7/8" NS	Bulk



Titan Striking Wrench

- Drop-forged alloy steel
- 45° offset head & 12 pt opening

Item #	Description	Std Pkg
192-SWT20	Titan 1-1/16" Striking Wrench 12 Point Offset	Bulk
192-SWT21	Titan 1-1/8" Striking Wrench 12 Point Offset	Bulk
192-SWT22	Titan 1-1/4" Striking Wrench 12 Point Offset	Bulk
192-SWT23	Titan 1-5/16" Striking Wrench 12 Point Offset	Bulk
192-SWT24	Titan 1-7/16" Striking Wrench 12 Point Offset	Bulk
192-SWT25	Titan 1-1/2" Striking Wrench 12 Point Offset	Bulk
192-SWT26	Titan 1-5/8" Striking Wrench 12 Point Offset	Bulk
192-SWT27	Titan 1-11/16" Striking Wrench 12 Point Offset	Bulk
192-SWT28	Titan 1-3/4" Striking Wrench 12 Point Offset	Bulk
192-SWT29	Titan 1-13/16" Striking Wrench 12 Point Offset	Bulk
192-SWT30	Titan 1-7/8" Striking Wrench 12 Point Offset	Bulk
192-SWT31	Titan 1-15/16" Striking Wrench 12 Point Offset	Bulk
192-SWT32	Titan 2" Striking Wrench 12 Point Offset	Bulk
192-SWT33	Titan 2-1/8" Striking Wrench 12 Point Offset	Bulk
192-SWT34	Titan 2-3/16" Striking Wrench 12 Point Offset	Bulk
192-SWT35	Titan 2-1/4" Striking Wrench 12 Point Offset	Bulk
192-SWT36	Titan 2-5/16" Striking Wrench 12 Point Offset	Bulk
192-SWT37	Titan 2-3/8" Striking Wrench 12 Point Offset	Bulk
192-SWT38	Titan 2-1/2" Striking Wrench 12 Point Offset	Bulk
192-SWT39	Titan 2-9/16" Striking Wrench 12 Point Offset	Bulk
192-SWT40	Titan 2-5/8" Striking Wrench 12 Point Offset	Bulk
192-SWT41	Titan 2-3/4" Striking Wrench 12 Point Offset	Bulk
192-SWT42	Titan 2-7/8" Striking Wrench 12 Point Offset	Bulk
192-SWT43	Titan 2-15/16" Striking Wrench 12 Point Offset	Bulk
192-SWT44	Titan 3" Striking Wrench 12 Point Offset	Bulk
192-SWT45	Titan 3-1/8" Striking Wrench 12 Point Offset	Bulk

GEARWRENCH™

13 pc SAE Wrench Set



- Surface drive® on box end
- Bright, full polish chrome finish
- Sizes: 1/4" to 1" combination gear wrenches
- Ratcheting box end needs as little as 5° to move fasteners vs the standard 30°

Item #	Description	Std Pkg
241-9312	13 pc SAE Ratchet Wrench Set w/Tray	6 sets

8 pc SAE Wrench Set



- Surface drive® on box end
- Bright, full polish chrome finish
- Set includes: 5/16", 3/8", 7/16", 1/2", 9/16", 5/8", 11/16" & 3/4"
- Ratcheting box-end needs as little as 5° to move fastener vs standard 30°

Item #	Description	Std Pkg
241-9308D	8 pc SAE Ratchet Wrench Set w/Tray	10 sets

GEARWRENCH®

7 pc SAE Wrench Set



- Surface drive® box end
- Bright, full polish chrome finish
- Set includes: 5/16", 3/8", 7/16", 1/2", 9/16", 5/8" & 3/4"
- Ratcheting box-end needs as little as 5° to move fastener vs the standard 30°

Item #	Description	Std Pkg
241-9317	7 pc SAE Ratchet Wrench Set w/Tray	12 sets

12 pc Metric Wrench Set



- Surface drive® on box end
- Bright, full polish chrome finish
- Set includes: 8, 9, 10, 11, 12, 13, 14, 15, 16, 17, 18, and 19 mm
- Ratcheting box-end needs as little as 5° to move fastener vs the standard 30°

Item #	Description	Std Pkg
241-9412	12 pc Metric Ratchet Wrench Set	10 sets

Ratcheting Combination Wrench - 12pt



- Bright, Full Polish Chrome Finish
- Off-Corner Loading Design on Box End
- Ratcheting Box End Needs As Little As 5° to Move Fasteners vs. 30° for Standard Wrenches

Item #	Description	Std Pkg
241-9032	1" Combo Ratcheting Wrench	1 ea
241-9034	1-1/16" Combo Ratcheting Wrench	1 ea
241-9036	1-1/8" Combo Ratcheting Wrench	1 ea
241-9038D	1-1/4" Combo Ratcheting Wrench	1 ea

16 pc Ratcheting Combination Wrench Set



- **Contains:** 8mm, 9mm, 10mm, 11mm, 12mm, 13mm, 14mm, 15mm, 16mm, 17mm, 18mm, 19mm, 20mm, 21mm, 22mm, 24mm size tools and molded storage wrench rack

Item #	Description	Std Pkg
241-9416	16 pc Metric Combo Ratcheting Wrench	6 ea

12 pc SAE Socket Set



- Chrome molybdenum alloy steel
- Manganese phosphate coating
- Parallel neck down design on 3/8", 7/16" 1/2" and 9/16" sizes
- Includes blow mold case

Item #	Description	Std Pkg
241-84942N	12 pc Socket Set 1/2" Drive Deep SAE 6pt	4 sets

1/2" Drive SAE Socket Set - 6 point



- Full polished, teardrop ratchet
- Sockets are large hard stamped
- Sockets have serration depth as deep as the fastener

Item #	Description	Std Pkg
241-80717	18 pc 1/2" Dr SAE Socket Set - 6 pt	3 sets

23 pc Mechanics Tool Set



- Includes Storage Case
- Large Hard Stamp Size Markings
- Knurled Full Polish Chrome Extensions
- 84 Tooth Full Polish Chrome Thin Profile Ratchet

Item #	Description	Std Pkg
241-80707	23 pc Mechanics Tool Set	1 ea

40 pc Metric Ratcheting Tap & Die Set



- Spring-Loaded Cap
- Extension Adapters
- Patented Twist Lock Guide System
- 5° Ratcheting Arc with Reversible Lever
- Die Adapter Works on Round and Hex Shaped Dies

Item #	Description	Std Pkg
241-3886	40 pc Ratcheting Tap & Die Drive Tool Set	1 ea

Ratcheting Tap & Die Drive Tool Set



- Spring-loaded cap
- Patented twist lock guide system
- 5° ratcheting arc with reversible lever
- Die adapter works on round and hex shaped dies

Item #	Description	Std Pkg
241-3885	40 pc SAE Ratcheting Tap & Die Drive Tool Set	6 sets

2 pc Double-X Plier Set



- Straight & 45° Pliers
- Flush Rivet
- Compound Joint
- Jaws Open Greater Distance Than the Handle

Item #	Description	Std Pkg
241-82106	2pc Double-X Plier Set	1 ea

GENERAC

Portable Generator - GP3250



- Low-oil level shutdown
- Large-capacity steel fuel tank with fuel gauge
- OHV engine with splash lubrication for a long engine life

Item #	Description	Std Pkg
156-5982	3250/3720W Engine 120/240 AC 3.5 gal Tank	1 ea

Portable Generator - GP8000E



- Low-oil level shutdown
- Affordable, reliable (electric start)
- OHV engine with splash lubrication
- Hour meter tracks maintenance intervals
- Large-capacity steel fuel tank with fuel gauge

Item #	Description	Std Pkg
156-6954	8000/10000W Engine 120/240 AC 7.5 gal Tank	1 ea

Portable Inverter Generator - GP2200I



- Parallel Ready
- Low-oil level shutdown
- LED Indicators for low oil alerts
- USB Port for charging mobile devices
- Fully enclosed design reduces noise levels
- Economy Mode adjusts engine speeds to save fuel

Item #	Description	Std Pkg
156-7117	1700/2200W Inverter Basic Panel Generator	1 ea

GENERAL

Heavy Duty Pipe & Hose Cutter



- Safety locking clasp
- Carbon steel blade is replaceable
- Light, corrosion-proof aluminum body
- Ratchet action makes repeated cutting easier
- For PVC, CPVC, PEX, ABS & Polyethylene Tubing

Item #	Description	Std Pkg
122-118	2" Cap. HD Pipe & Hose Cutter	1 ea

Plastic Pipe & Hose Cutter



- One-handed operation
- Six-click ratchet holds blade in place
- Handle locking strap for safe storage
- Corrosion-resistant aluminum body
- High carbon steel blade is replaceable
- For PVC, CPVC, PEX, ABS & polyethylene tubing

Item #	Description	Std Pkg
122-1191	1-5/8" Cap Plastic Pipe & Hose Cutter	3 ea

Tubing Cutter



- Wide, hardened, flared, grooved rollers
- Storage space in handle for extra wheel
- Full-size wheel is replaceable
- Full-size, fold-out reamer with two cutting edges
- For copper, aluminum, brass, thin-wall tubing & stainless steel

Item #	Description	Std Pkg
122-120	1/8-1-1/8" Tubing Cutter	5 ea

Super Mini Tubing Cutter



- Full-size wheel is replaceable
- Wide, hardened, flared, grooved rollers
- For copper, aluminum, brass, thin-wall tubing & stainless steel

Item #	Description	Std Pkg
122-124	1/8-1-1/8 Super Mini Tubing Cutter	5 ea

Heavy Duty Tubing Cutter



- Full-size wheel is replaceable
- Wide, hardened, flared, grooved rollers
- Full-size, fold-out reamer with two cutting edges
- For copper, aluminum, brass, thin-wall tubing & stainless steel

Item #	Description	Std Pkg
122-125	1/4-1-5/8" HD Tubing Cutter	3 ea

Super Heavy Duty Tubing Cutter



- Full-size wheel is replaceable
- Four wide, hardened, flared, grooved rollers
- Full-size removable reamer with two cutting edges
- For copper, aluminum, brass, thin-wall tubing & stainless steel

Item #	Description	Std Pkg
122-126	1/4-2-5/8" Pipe & Tubing Cutter	3 ea

PVC Pipe Cable Saw



- Ergonomically comfort grip handles
- Slices through pipe up to 8" in diameter
- Stainless steel 24" serrated cutting cable
- Used for cutting PVC, PE and ABS pipe, flexible rubber, PVC, ABS and Polyethylene tubing

Item #	Description	Std Pkg
122-858	8" Cap. PVC & Pipe Cable Cutter w/Grip Handles	3 ea

Industrial Flaring Tool



- Steel screw yoke
- Extra-long bars fit in vise for easier flaring
- For flaring copper, aluminum & thin-wall tubing
- Forms 45° flares in seven common NPT pipe sizes

Item #	Description	Std Pkg
122-155	Industrial Flaring Tool 3/16-5/16" Std. 3/8-5/8"	3 ea

GENERAL

3" Steel Slide Caliper



- Sized to slip in your pocket
- Etched and filled graduations
- Inside and outside readings in mm and 32nds of an inch on front; decimal equivalents on back

Item #	Description	Std Pkg
122-132ME	3" SS Pocket Caliper Inside & Outside	5 ea

12" Steel Digital Caliper



- Auto power off
- Made of heavy-duty stainless steel
- Inside, outside, & step measurements
- Power source: "SR44" battery (included)
- Displays measurements in fractional inches, decimal inches or millimeters

Item #	Description	Std Pkg
122-14712	0-12" Digital Fractional Caliper	1 ea

8" Steel Digital Caliper



- Auto power off
- Made of heavy-duty stainless steel
- Inside, outside, & step measurements
- Power source: "SR44" battery (included)
- Displays measurements in fractional inches, decimal inches or millimeters

Item #	Description	Std Pkg
122-1478	0-8" Digital Fractional Caliper	1 ea

Utility Micrometer



- Satin chrome thimble and barrel
- Engraved graduations on barrel
- Lock mode for repetitive measurements
- Easy-to-read black contrasting graduations
- Ground and polished carbide measuring faces

Item #	Description	Std Pkg
122-102	0-1" Utility Micrometer	1 ea

Precision Pencil Compass



- Adjustable spring tension
- Scribe guide for edge marking
- Durable die-cast rust-proof metal
- For use with pencil (included) or slim ballpoint pen

Item #	Description	Std Pkg
122-842	9" Precision Pencil Compass	6 ea

Square Head Steel Protractor



- Made of ground stainless steel for optimum accuracy
- Permanently etched graduations from 0 to 180° in opposite directions
- Adjustable protractor arm locks into desired position with knurled thumb nut

Item #	Description	Std Pkg
122-17	6" Square Head Steel Protractor	5 ea

6" Flexible Steel Rule



- Ultra-fine black graduations
- Polished stainless steel finish
- Pocket clip

Item #	Description	Std Pkg
122-300/1	6" Industrial Precision Flex Steel Rule	6 ea

Digital Multimeter



- DC current tester
- AC/DC voltage tester
- Continuity alarm with red LED
- Identifiable hot and ground
- Built-in ground disconnect check

Item #	Description	Std Pkg
122-DMM830HS	7 Function Digital Multimeter AC/DC	1 ea

Drill Gage



- 1/16" to 1/2" Fractional size bits
- Hole sizes and decimal equivalents are permanently marked on face
- Made of heat-treated heavy gage steel, machined and ground to close tolerances

Item #	Description	Std Pkg
122-14	1/16-1/2" Drill Gage 6-1/2" Long	5 ea

Screw Pitch Gage



- **Sizes:** All pipe thread sizes from 4 to 84
- Knurled thumb nuts lock case open or closed
- Notched for measuring inside threads of small holes and nuts, as well as external threads

Item #	Description	Std Pkg
122-251	51 pcs Screw Pitch Gage For Pitches	1 ea

GENERAL

Screw Pitch Gage - Metric



- **Sizes:** 22 sizes from 0.35 to 6.0 mm
- Knurled thumb nuts lock case open or closed
- Notched for measuring inside threads of small holes and nuts, as well as external threads

Item #	Description	Std Pkg
122-255MM	22 pcs Metric Screw Gage For Pitches	1 ea

5 pc Precision Screwdriver Set



- Includes 5 pc slotted and Phillips tips
- Chrome-plated Alloy steel blades
- Driver tip size shown on rotating cap
- Color-coded ring identifies tip type
- Eight-sided non-slip cushioned grip

Item #	Description	Std Pkg
122-700	5 pc Precision Screwdriver Set	4 ea

Scratch Awl



- Alloy steel blade
- Contoured and fluted hardwood handle
- Handle is fastened to plated steel ferrule and cap

Item #	Description	Std Pkg
122-818	6" Hardwood Handle Scratch Awl	6 ea

7 pc Arch Punch Set



- Inside taper for clearance
- For punching round holes in gasket material, leather, rubber, canvas, cardboard, plastic sheet metal & other soft materials

Item #	Description	Std Pkg
122-1271ST	7 pc Arch Punch Set 1/4-1"	1 ea

Cordless Precision Engraver



- 20,000 RPM Motor
- Lightweight aluminum body
- Power- Engraving pen has a
- Engrave glass, metal, ceramic and plastic
- Ergonomic tri-lobal grip & precise fingertip control
- (2) AAA batteries included

Item #	Description	Std Pkg
122-505	Aluminum Cordless Precision Engraver	5 ea

Drill Bit Grinding Attachment



- Works with 1/8" to 3/4", #1 to #30, A to Z, and 3 to 19mm drill bits
- Automatically adjusts to the correct clearance angle
- Includes table for translating the overhang requirement to the correct point angle for the target material

Item #	Description	Std Pkg
122-825	1/8" - 3/4" Drill Bit Grinding Attachment	1 ea



Geronimo Slide Chair



- Easy assembly
- Operate under all weather conditions
- Safe ride and landing
- Safety slide chair
- Length: 48"
- Width: 21"

Item #	Description	Std Pkg
076-100190	Safety Slide Chair use 7/16" or 1/2" Cable	1 ea

Gilmour

8 Ply Flexogen 10 Series



- Patented 8-ply construction
- Reinforced double tire cord
- Over 500 PSI burst strength
- Polished surface resists abrasions, stains, and mildew
- Heavy-duty, Full -Flo brass couplings with built-in washer for tight sealing

Item #	Description	Std Pkg
101-10-34050	Flexogen 3/4" x 50' 8 Ply 500 PSI Kink Resistance	4 ea
101-10-34075	Flexogen 3/4" x 75' 8 Ply 500 PSI Kink Resistance	2 ea
101-10-34100	Flexogen 3/4" x 100' 8 Ply 500 PSI Kink Resistance	1 ea

Flexogen Super Duty Hose



- Patented 8-layer construction with reinforced core
- Crush-resistant and corrosion-resistant brass connections
- Stainless steel spring prevents kinks at the spigot
- Made in the U.S.A. and backed by a lifetime warranty

Item #	Description	Std Pkg
101-874001-1001	Flexogen 5/8" x 100' 8 ply Water Hose	2 ea
101-874251-1001	Flexogen 5/8" x 25' 8 ply Water Hose	6 ea
101-874501-1001	Flexogen 5/8" x 50' 8 ply Water Hose	6 ea
101-874751-1001	Flexogen 5/8" x 75' 8 ply Water Hose	4 ea

Gilmour

Full Size Twist Nozzle Sprayer



- All brass valve stem
- Precise tip angle eliminates side spray
- Four large openings at nozzle tip for full flow
- Front and rear O-ring seals for leakproof shut-off

Item #	Description	Std Pkg
101-528	Large Solid Brass Straight Twist Nozzle Sprayer	12 ea

Insulated Pistol Grip Nozzle Sprayer



- Insulated molded grip
- Male hose threaded front
- Brass head insert for maximum resistance to extremely hot water

Item #	Description	Std Pkg
101-572TFR	Pistol Grip Nozzle Insulated Sprayer	12 ea

Pistol Grip Metal Nozzle Sprayer



- Solid brass valve stem
- Rust resistant stainless steel spring
- Solid metal body, male threaded front
- Hold-open clip for continuous spraying
- Heavy-duty, full size, die cast zinc body

Item #	Description	Std Pkg
101-573TF	Pistol Grip Metal Nozzle Sprayer	12 ea

Comfort Pistol Grip Nozzle Sprayer



- Male hose threaded front
- Cushioned molded on, black vinyl grip
- Solid brass valve stem with permanent adjusting nut
- Self-adjusting "duck" packing for lifetime leakproof seal

Item #	Description	Std Pkg
101-593	Pistol Comfort Grip Nozzle Sprayer	12 ea



Orange Smooth Hand Cleaner



- Quick-acting formula
- Orange citrus fragrance
- Cleans industrial oils, medium dirt and grease

Item #	Description	Std Pkg
190-0945-04	1 gal Orange Natural Smooth Hand Cleaner	4 ea

Orange Smooth Hand Cleaner



- Quick-acting formula
- Orange citrus fragrance
- Cleans industrial oils, medium dirt and grease

Item #	Description	Std Pkg
190-0947-12	14 oz Orange Smooth Hand Cleaner	12 ea

Orange Pumice Hand Cleaner



- Cleans industrial oils, medium dirt and grease
- Pumice scrubbing particles
- Quick-acting lotion formula
- Orange citrus scent

Item #	Description	Std Pkg
190-0955-02	1 gal Natural Orange Pumice Hand Cleaner	2 ea

Orange Pumice Hand Cleaner



- Cleans industrial oils, medium dirt and grease
- Pumice scrubbing particles
- Quick-acting lotion formula
- Orange citrus scent

Item #	Description	Std Pkg
190-0957-12	14 oz Natural Orange Pumice Hand Cleaner	12 ea

Orange Pumice Hand Cleaner



- Cleans industrial oils, medium dirt and grease
- Pumice scrubbing particles
- Quick-acting lotion formula
- Orange citrus scent

Item #	Description	Std Pkg
190-0958-04	1/2 gal Pumice Citrus Scent Hand Cleaner	4 ea

Cherry Gel Pumice Hand Cleaner



- Cherry fragrance
- One gallon pump bottle
- Pumice scrubbing particles
- Cleans heavy dirt, grease and oil
- Gel-style heavy duty hand cleaner
- pH balance to promote skin comfort

Item #	Description	Std Pkg
190-2354-08	10 oz Cherry Gel Pumice Hand Cleaner	8 ea
190-2358-02	1 gal Cherry Gel Hand Cleaner	2 ea

Original Formula Hand Cleaner



- Removes heavy grease, tar and oil
- Can be used with or without water
- Contains soothing emollients
- Contains no harsh solvents

Item #	Description	Std Pkg
190-1109-12	14 oz Original Formula Hand Cleaner	12 ea



Original Formula Hand Cleaner - 1115-06



- Removes heavy grease, tar and oil
- Can be used with or without water
- Contains soothing emollients
- Contains no harsh solvents

Item #	Description	Std Pkg
190-1115-06	Original Formula Hand Cleaner	6 ea

Fast Wipes Multi-Purpose Towels



- Cleans without water
- Orange-scented towelette
- Fast hand-cleaning towels
- Removes light grease and oil

Item #	Description	Std Pkg
190-6298-04	Fast Wipes Orange 130 ct Bucket	4 ea

Scrubbing Wipes



- Heavy duty hand cleaning
- Contains skin conditioners
- Lifts heavy dirt and grime from skin
- Helps prevent dryness and irritation
- Portable, convenient and easy to use

Item #	Description	Std Pkg
190-6396-06	Hand Scrubbing Wipes 72ct	6 ea

Fast Towels



- Large, single textured wet shop towel
- Contains skin moisturizers
- VOC-compliant formula
- For use anywhere heavy duty cleaning is required

Item #	Description	Std Pkg
190-6299-02	Fast Hand Cleaning Towel 225 Count Bucket	2 ea

Orange Pumice Hand Cleaner Refill



- Quick-acting formula
- Pumice scrubbing particles
- Easy to load, store and handle
- Portion control helps reduce waste
- Fresh dispensing valve with each refill

Item #	Description	Std Pkg
190-7255-04	Pro 2000 Bag in a Box System Orange Pumice	4 ea

Purell Hand Sanitizer



- Alcohol based
- Instant hand sanitizer
- No water or towels needed
- Works in as little as 15 seconds

Item #	Description	Std Pkg
190-3659-12	12 oz Purell Hand Pump Sanitizer Original	12 ea

Purell Advanced Hand Sanitizer Gel



- Clinically-proven to maintain skin health
- Outperforms other hand sanitizers ounce-for-ounce¹
- Kills more than 99.99% of most common germs that may cause illness

Item #	Description	Std Pkg
190-9652-12	8 oz Pump Purell Instant Hand Sanitizer	12 ea



Heavy Duty Pump Oilers - 120-A



- Screw cap filler opening
- Interchangeable spouts
- Precision machined piston
- Zinc die-cast high pressure pump

Item #	Description	Std Pkg
034-120-A	1 qt Heavy Duty Pump Oilers/Less Spout	6 ea

Heavy Duty Pump Oilers - 120-A1



- 11" straight spout
- Screw cap filler opening
- Interchangeable spouts
- Precision machined piston
- Zinc die-cast high pressure pump

Item #	Description	Std Pkg
034-120-A1	1 qt Heavy Duty Pump Oilers w/12" Straight Spout	6 ea

Heavy Duty Pump Oilers - 120-A3



- 15" flex spout
- Screw cap filler opening
- Interchangeable spouts
- Precision machined piston
- Zinc die-cast high pressure pump

Item #	Description	Std Pkg
034-120-A3	1 qt Heavy Duty Pump Oilers w/15" Flex Spout	6 ea

Heavy Duty Pump Oilers - 120-B



- Screw cap filler opening
- Interchangeable spouts
- Precision machined piston
- Zinc die-cast high pressure pump

Item #	Description	Std Pkg
034-120-B	1-1/2 qt Heavy Duty Pump Oilers/Less Spout	6 ea

GOLDENROD

Heavy Duty Pump Oilers - 120-B1



- 10" straight spout
- Screw cap filler opening
- Interchangeable spouts
- Precision machined piston
- Zinc die-cast high pressure pump

Item #	Description	Std Pkg
034-120-B1	1-1/2 qt Heavy Duty Pump Oiler w/10" Spout	6 ea

Heavy Duty Pump Oilers - 120-B3



- 12" flex spout
- Screw cap filler opening
- Interchangeable spouts
- Precision machined piston
- Zinc die-cast high pressure pump

Item #	Description	Std Pkg
034-120-B3	1-1/2 qt HD Pump Oiler w/12" Flex Spout	6 ea

Heavy Duty Pump Oilers - 120-C



- Screw cap filler opening
- Interchangeable spouts
- Precision machined piston
- Zinc die-cast high pressure pump

Item #	Description	Std Pkg
034-120-C	1 pt Heavy Duty Pump Oiler/Less Spout	6 ea

Heavy Duty Pump Oilers - 120-C1



- 8" straight spout
- Screw cap filler opening
- Interchangeable spouts
- Precision machined piston
- Zinc die-cast high pressure pump

Item #	Description	Std Pkg
034-120-C1	1 pt Heavy Duty Pump Oiler w/8" Straight Spout	6 ea

Heavy Duty Pump Oilers - 120-C2



- 8" angle spout
- Screw cap filler opening
- Interchangeable spouts
- Precision machined piston
- Zinc die-cast high pressure pump

Item #	Description	Std Pkg
034-120-C2	1 pt Heavy Duty Pump Oiler w/8" Angle Spout	6 ea

Heavy Duty Pump Oilers - 120-C3



- 10" flex spout
- Screw cap filler opening
- Interchangeable spouts
- Precision machined piston
- Zinc die-cast high pressure pump

Item #	Description	Std Pkg
034-120-C3	1 pt Heavy Duty Pump Oiler w/10" Flex Spout	6 ea

Industrial Pump Oilers - 707



- Zinc die-cast high pressure pump
- Powder coated copper finish
- Precision ground pistons
- Straight or flex spouts
- Removable spouts

Item #	Description	Std Pkg
034-707	12 oz Industrial Oiler w/8" Flex Spout	6 ea

Industrial Pump Oilers - 725



- 8" straight spout
- Zinc plated top cap
- Precision ground piston
- Powder coated copper bronze finish
- Zinc die-cast high pressure pump

Item #	Description	Std Pkg
034-725	16 oz Industrial Oiler w/8" Straight Spout	6 ea

Industrial Pump Oilers - 727



- 8" flexible spout
- Zinc plated top cap
- Precision ground piston
- Powder coated copper bronze finish
- Zinc die-cast high pressure pump

Item #	Description	Std Pkg
034-727	16 oz Industrial Oiler w/8" Flex Spout	6 ea

Industrial Pump Oilers - 737



- 8" flexible spout
- Zinc plated top cap
- Precision ground piston
- Powder coated copper bronze finish
- Zinc die-cast high pressure pump

Item #	Description	Std Pkg
034-737	32 oz Industrial Oiler w/8" Flex Spout	6 ea

GOLDENROD

Pistol Grip Oilers - 600



- Zinc die-cast high pressure pump
- Straight and flex spouts
- Wide base for stability
- Leak proof joints

Item #	Description	Std Pkg
034-600	6 oz Pistol Pump Oiler 6 oz w/5" Straight Spout	6 ea

Pistol Grip Oilers - 625



- 10" straight spout
- Wide base for stability
- Precision ground piston
- Powder coated copper bronze finish
- Zinc die-cast high pressure pump

Item #	Description	Std Pkg
034-625	10 oz Pistol Pump Oiler 10 oz w/5" Straight Spout	6 ea

Pistol Grip Oilers - 626



- 6" flexible spout
- Wide base for stability
- Precision ground piston
- Powder coated copper bronze finish
- Zinc die-cast high pressure pump

Item #	Description	Std Pkg
034-626	10 oz Pistol Pump Oiler w/6" Flex Spout	6 ea

Pistol Grip Oilers - 630



- 6" straight spout
- Wide base for stability
- Precision ground piston
- Powder coated copper bronze finish
- Zinc die-cast high pressure pump

Item #	Description	Std Pkg
034-630	20 oz Pistol Pump Oiler w/6" Straight Spout	6 ea

Straight Spout



- Replacement spout
- For 120-series GOLDENROD oilers

Item #	Description	Std Pkg
034-301012	12" Straight Spout for 120 Series Oilers	6 ea
034-301013	10" Straight Spout for 120 Series Oilers	6 ea
034-301014	8" Straight Spout for 120 Series Oilers	6 ea

Angle Spout



- Replacement spout
- For 120-series GOLDENROD oilers

Item #	Description	Std Pkg
034-301015	12" Angle Spout for 120 Series Oilers	6 ea
034-301016	10" Angle Spout for 120 Series Oilers	6 ea
034-301017	8" Angle Spout for 120 Series Oilers	6 ea

Flex Spout



- Replacement flex spout
- For 120-series GOLDENROD oilers

Item #	Description	Std Pkg
034-301024	10" Flex Spout for 120 Series Oilers	6 ea
034-301025	12" Flex Spout for 120 Series Oilers	6 ea
034-301026	15" Flex Spout for 120 Series Oilers	6 ea

350 Suction Gun



- Powerful suction for removing old grease and oil from differentials
- 3/4 pint capacity, 10 inch flex nozzle
- Powder coated copper bronze finish
- Rear axle housings and oil filters

Item #	Description	Std Pkg
034-350	3/4 Pint Capacity Suction Gun w/10" Flex Nozzle	12 ea

Standard Fence Stretcher



- Quickly tighten any fence - high tensile, barbed, or smooth wire
- Splice, stretch and reposition wire
- Original, reliable design

Item #	Description	Std Pkg
034-400	Standard Fence Stretcher	6 ea

Fence Stretcher w/ Control Ratchet Release



- Controlled release holds ratchet to reduce line

Item #	Description	Std Pkg
034-405	Fence Stretcher w/Control Ratchet Release	6 ea



Fence Stretcher w/ 3rd Hook



- Hired hand fence tool
- Patented 3rd hook design
- Allows for longer pulls without resetting the tool

Item #	Description	Std Pkg
034-415	Fence Stretcher w/3rd Hook-Hired Hand	6 ea

Filter Element



- Standard 10 Micron replacement element
- Used with fuel pump

Item #	Description	Std Pkg
034-470-5	10" Standard Micro Replacement Filter Element	12 ea

Fuel Filter Wrench



- Designed specifically for easy removal of GOLDENROD
- Eliminates problem of cracking bowls during element change process
- Weather-resistant plastic
- Made in the U.S.A

Item #	Description	Std Pkg
034-491	400 Series Fuel Filter Wrench	6 ea

Fuel Tank Filter



- 366 sq. inches of filter surface for efficient action
- For removing microscopic particles (10 microns) or rust, sand, dirt, scale and lint
- Unit works well by itself or in combination with the #496 fuel filter for added protection from water in the fuel

Item #	Description	Std Pkg
034-495	1" NPT Top Can Standard Fuel Filter	6 ea

Container Replacement Bowl



- Replacement fits model # 495 & 496
- Easy to use sediment drain valve

Item #	Description	Std Pkg
034-495-4	400 Series Replace Bowl	6 ea

Water-Block Fuel Filter



- 15 Micron filtration
- Water-absorbing polymers trap water
- Removes water from gasoline and diesel
- May be used by itself or in combination with a #495 fuel filter for added protection against microscopic particle contamination

Item #	Description	Std Pkg
034-496	1" NPT Water Block Filter	6 ea

Water Replacement Element



- Water Block 17 micron replacement element

Item #	Description	Std Pkg
034-496-5	Water Absorbing Filter Element	12 ea

595 Fuel Filter



- Disposable spin-on canister filters
- Working pressure up to 50 PSI
- Zinc top-cap with 1 inch NPT pipe fittings
- Also can be used with biodiesel blends up to 20%
- Compatible with gasoline, diesel, fuel oil, and related additives including methyl, ethyl, and isopropyl alcohol

Item #	Description	Std Pkg
034-595	10 Micron Fuel Filter w/Top Cap	6 ea

595-5 Filter Canister



- 10 micron replacement canister for model 595 fuel filter

Item #	Description	Std Pkg
034-595-5	10 Micron Replacement Canister ONLY	12 ea

1500 lb Brake Winch



- Zinc tuffplate finish
- Ergonomic grip handle
- Permanently lubricated bearings

Item #	Description	Std Pkg
034-DLB1500A	1500 lb Brake Winch 75 lb Min Operating Load	3 ea

2500 lb Brake Winch



- Zinc tuffplate finish
- Ergonomic grip handle
- Permanently lubricated bearings

Item #	Description	Std Pkg
034-DLB2500A	2500 lb Brake Winch 175 lb Min Operating Load	3 ea

GOLDENROD

Brake Winch w/ Free Wheel Option



- Zinc tuffplate finish
- Ergonomic grip handle
- Permanently lubricated bearings

Item #	Description	Std Pkg
034-DLB2505A	2500 lb Brake Winch w/Free Wheel Option	3 ea

Worm Gear Winch



- Handle included
- Powder-coated bronze finish
- Permanently lubricated bearings
- 1500 lb. worm gear winch with regular drum and handle drive
- Reel automatically stops turning whenever cranking is stopped, locking load in place

Item #	Description	Std Pkg
034-WG1500	1500 lb Worm Gear Winch 7" Handle 30:1 Ratio	4 ea

Worm Gear Winch w/ Split Drum



- Handle included
- Powder-coated bronze finish
- Permanently lubricated bearings
- 2000 lb. worm gear winch with split drum
- Allows cable to pull from opposite directions
- Reel automatically stops turning whenever cranking is stopped

Item #	Description	Std Pkg
034-WG2000SR	2000 lb Worm Gear Winch Split Reel 7" Handle	4 ea

6520 Cable & Hook



- 7 x 19 galvanized aircraft cable, 1/4" x 25', with safety hook
- Suitable for use on D-L hand winches up to 2500 lb capacity, and electric winch models SA9000 and SA12000

Item #	Description	Std Pkg
034-6520	1/4" x25' Cable w/Hook F/Winch	4 ea

2000lb A-Frame Jack



- Powder coated black finish
- A-frame jack, 2000 lb, includes support bracket
- Jack can be welded or bolted to standard A-frame couplers
- Removable wheel or foot sold separately

Item #	Description	Std Pkg
034-6670B	2000 lb Top Handle A Frame Jack w/Support Plate	1 ea

Coupler Ball - 6391



- Retail package
- Chrome ball

Item #	Description	Std Pkg
034-6391	2" Ball Coupler Class 3 5000 lb Capacity	6 ea

Coupler Ball - 6393



- Retail package
- Chrome ball

Item #	Description	Std Pkg
034-6393	2-5/16" Coupler Ball Class 4 6000 lb Capacity	6 ea

GOLIGHT

Halogen Remote Controlled 400K Spotlight



- 16' cord w/cigarette plug
- 370 motorized rotation, 135 motorized tilt

Item #	Description	Std Pkg
151-7901	Halogen Remote Controlled Spotlight - White	6 ea
151-7951	Halogen Remote Controlled Spotlight - Black	6 ea

LED Remote Controlled Spotlight



- 3 amps with 12v power
- 370° rotation x 135° tilt

Item #	Description	Std Pkg
151-79014	LED Remote Controlled Spotlight - White	6 ea
151-79514	LED Remote Controlled Spotlight - Black	6 ea



Black Duct Tape - 12 pc Display



- Tough, reinforced backing
- Weather-resistant shell
- Double-thick adhesive
- Grips smooth, rough and uneven surfaces

Item #	Description	Std Pkg
234-6035120	12 Pc Display 2" X 35yd Black Duct Tape	1 ea



Black Duct Tape



- Double-thick adhesive
- Tough, reinforced backing
- Rugged, weather-resistant shell

Item #	Description	Std Pkg
234-6035180	Duct Tape Black 2" x 35 yd	18 ea

Black Duct Tape To-Go



- Tough, reinforced backing
- Rugged, weather-resistant shell
- Double-thick adhesive
- Grips smooth, rough and uneven surfaces

Item #	Description	Std Pkg
234-6100101	Black Duct Tape 1" x 30'	6 ea



Manual Unleaded Gas Nozzle



- 3/4" NPT
- Manual unleaded nozzle
- For M-150S, M-240S & M-1115S series

Item #	Description	Std Pkg
060-110155-1	3/4" NPT Manual Unleaded Nozzle	1 ea

Manual Leaded Gas Nozzle



- Manual leaded nozzle
- 1" NPT for M-180S

Item #	Description	Std Pkg
060-110155-4	1" NPT Manual Leaded Nozzle	1 ea

Automatic Diesel Fuel Nozzle



- 1" diameter nozzle
- 1" female NPT inlet
- Automatic shut-off
- Curved spout, aluminum body
- For M-3025 & M-3130 pumps

Item #	Description	Std Pkg
060-906008-570	1" NPT Auto Diesel Nozzle	1 ea

Digital Fuel Meter



- Aluminum fuel meter
- Flow range 3-30 GPM
- Powered by two AA batteries

Item #	Description	Std Pkg
060-113255-1	1" NPT 3-30 GPM Digital Fuel Meter (gallons)	1 ea

Lever Pump



- Lever action piston pump
- Lever handle on a barrel pump
- For use with: lightweight petroleum products, oils anti-freeze and kerosene

Item #	Description	Std Pkg
060-BP-12	2" NPT Lever Pump 1 Pint Per Stroke	1 ea

Industrial Hand Pump



- Complete ready to install
- Built-in anti-siphon valve
- Comes w/8' of 3/4" hose
- Delivers up to 50 gal. per 100 strokes
- Use w/gasoline, diesel fuel, and kerosene
- Lightweight corrosion-resistant aluminum construction

Item #	Description	Std Pkg
060-HP-100-NUL	2" NPT Industrial Hand Pump	1 ea

Rotary Hand Pump



- 10 gallons per 100 revolutions
- Comes with 8' of 3/4" grounded hose
- Strainer and anti-siphon valve built in
- Lightweight, extremely durable aluminum housing

Item #	Description	Std Pkg
060-RP-10-UL	2" NPT Rotary Hand Pump w/8' Hose	1 ea

12 Volt Pump



- Manual nozzle
- Over load protected motor
- Use with gasoline, diesel fuel, and kerosene
- Comes with 12 ft. of 3/4" grounded hose adjustable suction pipe

Item #	Description	Std Pkg
060-M-150S-MU	12 Volt Pump 12' Hose Manual Nozzle	1 ea



Indestructible Handle Club Hammers



- Indestructible handle with four spring steel bars that run the full length of the handle
- Steel bars lock with a steel plate on top of the hammer head so the head never gets dislodged
- Ergonomic rubber grip handle

Item #	Description	Std Pkg
238-34500	2.5 lb 12" Indestructible Hi-Viz Hammer	8 ea
238-34501	4 lb 12" Indestructible Hi-Viz Hammer	8 ea
238-34502	4 lb 16" Indestructible Hi-Viz Hammer	8 ea



Indestructible Handle Sledge Hammers



- Indestructible handle with four spring steel bars that run the full length of the handle
- Steel bars lock with a steel plate on top of the hammer head so the head never gets dislodged
- Ergonomic rubber grip handle

Item #	Description	Std Pkg
238-34510	6 lb 24" Indestructible Hi-Viz Hammer	4 ea
238-34511	6 lb 30" Indestructible Hi-Viz Hammer	4 ea
238-34512	8 lb 24" Indestructible Hi-Viz Hammer	4 ea
238-34513	8 lb 30" Indestructible Hi-Viz Hammer	4 ea
238-34514	10 lb 30" Indestructible Hi-Viz Hammer	4 ea
238-34515	12 lb 30" Indestructible Hi-Viz Hammer	4 ea
238-34516	14 lb 30" Indestructible Hi-Viz Hammer	4 ea
238-34517	8 lb 36" Indestructible Hi-Viz Hammer	4 ea
238-34518	10 lb 36" Indestructible Hi-Viz Hammer	4 ea
238-34519	12 lb 36" Indestructible Hi-Viz Hammer	4 ea
238-34520	14 lb 36" Indestructible Hi-Viz Hammer	4 ea
238-34521	6 lb 16" Indestructible Hi-Viz Hammer	4 ea
238-34522	8 lb 12" Indestructible Hi-Viz Hammer	4 ea

Indestructible Handle Ball Pein Hammers



- Indestructible handle with four spring steel bars that run the full length of the handle
- Steel bars lock with a steel plate on top of the hammer head so the head never gets dislodged
- Ergonomic rubber grip handle

Item #	Description	Std Pkg
238-34540	24 oz. 14" Indestructible Ball Pein	8 ea
238-34541	32 oz. 14" Indestructible Ball Pein	8 ea
238-34542	48 oz. 14" Indestructible Ball Pein	8 ea



Jet Guard Air Gun



- High thrust with pinpoint accuracy
- Durable cast aluminum body
- Focused brass nozzle
- Protective air shield
- 1/4-Inch FNPT inlet

Item #	Description	Std Pkg
200-74S	Jet Guard Safety Air Gun w/Brass Nozzle	10 ea

Syphon Spray Gun



- Adjustable nozzle tip
- 6' PVC feed tube with brass sinker
- Syphon spray gun
- 12" extension tube

Item #	Description	Std Pkg
200-79SG012	Syphon Spray Gun w/12" Extension & 6' Hose	1 ea

Long John Series Safety Air Gun



- Long John with aluminum extension and nozzle
- Ergonomic handle
- Meets or exceeds OSHA standards

Item #	Description	Std Pkg
200-75LJ012AA	Long John Safety Air Gun w/12" Extension	10 ea
200-75LJ024AA	Long John Safety Air Gun w/24" Extension	10 ea
200-75LJ036AA	Long John Safety Air Gun w/36" Extension	10 ea
200-75LJ048AA	Long John Safety Air Gun w/48" Extension	10 ea
200-75LJ060AA	Long John Safety Air Gun w/60" Extension	10 ea

Flame Pattern Syphon Spray Gun



- Syphon spray gun
- Adjustable nozzle tip
- Durable cast aluminum body
- 12" aluminum extension & 6' hose
- Brass nozzle tip and 1/4" FNPT inlet

Item #	Description	Std Pkg
200-79SG012F	Syphon Spray Gun w/12" Extension & 6' Hose	1 ea

Pneumatic Oil Gun



- Knurled adjusting nut
- Adjustable nozzle tip
- One quart screw-on container
- Pistol grip and 12" extension

Item #	Description	Std Pkg
200-83SG	Extension Pneumatic Oil Gun w/12" Extension	6 ea

Thumbswitch Air Gun



- Compact thumbswitch
- Aluminum, Venturi nozzle
- Durable cast zinc body
- Cushioned actuator
- 1/4-Inch FNPT inlet

Item #	Description	Std Pkg
200-970	Safety Air Gun Compact Thumb Switch	10 ea



Engine Cleaner



- Spray on, wash off
- Powerful degreasing solvents
- Safe on all engine components
- Quickly and easily remove grease, dirt and grime

Item #	Description	Std Pkg
038-EB1	15 oz Engine Brite	12 ea

Glass Cleaner



- Foaming aerosol
- Contains Ammonia
- Removes dirt and grime
- Leaves streak free glass
- All-purpose glass cleaner
- Leaves no film or residue behind

Item #	Description	Std Pkg
038-GC1	19 oz Glass Cleaner	12 ea



Windshield Washer Solvent



- Contains Ammonia
- Cleans off bugs and road grime
- No harmful solvents or detergents
- Concentrated film remover and solvent
- Will not harm car finish, metal or rubber

Item #	Description	Std Pkg
038-M506	6 oz Windshield Washer Solvent	24 ea

Windshield Fluid w/ Anti-freeze



- Concentrate with Ammonia
- Will not harm car finish, metal or rubber
- Designed to protect windshield washer systems
- Quickly dissolves dirt, bugs, grime, and road film
- Concentrated film remover and solvent with anti-freeze
- Protects windshield washer systems in low temperatures

Item #	Description	Std Pkg
038-M516	16 oz Windshield Washing Fluid w/Anti-Freeze	12 ea

Brake Cleaner



- Ultra fast drying
- Dries completely
- Leaves no residue
- Quickly removes brake fluid, dust build up and oil
- Can be used without disassembling the brake unit

Item #	Description	Std Pkg
038-M720	19 oz Brake Cleaner	12 ea

Motor Cleaner



- Fast drying
- Non-flammable
- Non-conductive
- Leaves no residue
- Solvent for dissolving and flushing away greases, oils, etc

Item #	Description	Std Pkg
038-NM1	20 oz Electric Motor Cleaner	12 ea

Carb-Medic Cleaner



- Powerful solvents quickly go to work
- Removes dirt, varnish, gum, carbon deposits, and sludge from the carburetor and combustion chamber of gasoline engines

Item #	Description	Std Pkg
038-M4814	12.5 oz Carb Medic Carb & Choke Cleaner	12 ea

Degreaser Super Concentrate



- Concentrated cleaner helps dissolve grease
- Degreaser for engines, machinery, metal parts
- Never use explosive gasoline
- Dilutes with kerosene and other similar petroleum solvents

Item #	Description	Std Pkg
038-SC5	5 gal Degreaser Super Concentrate	1 ea

Shop Tool Degreaser



- Inhibits rust
- Citrus scent
- Spray on and wipe or rinse off
- Pinpoint accurate spray nozzle
- Blend of solvents and surfactants
- Penetrates tough build up on tools and metal surfaces

Item #	Description	Std Pkg
038-SD11	11 oz Shop Tool Degreaser	12 ea



Tail Board Block



- Easy open side plates
- Rugged and reliable
- 4 to 1 design factor
- Bronze bushings
- Metric rated

Item #	Description	Std Pkg
181-474542	8 Ton SB8S6BT 6" Single Sheave Tailboard Block	1 ea
181-474562	8 Ton SB4S4BT 4" Single Sheave Tailboard Block	1 ea
181-474572	2 Ton SB2S3BT 3" Single Sheave Tailboard Block	1 ea

Snatch Block with Swivel Shackle



- Easy open side plates
- 4 to 1 Design factor
- Bronze bushings
- 2 and 4 Ton

Item #	Description	Std Pkg
181-474602	2 Ton SB2S3BS 3" Single Sheave Snatch Block	1 ea
181-474603	4 Ton SB4S4BS 4" Single Sheave Snatch Block	1 ea

Snatch Block with Swivel Hook Latch



- Rope size: 5/8" [min], 3/4" [max]
- Hook thickness: 2-1/8"
- Thickness: 3.6870"
- Hook opening: 2"
- Width: 6-1/4"

Item #	Description	Std Pkg
181-474655	4 Ton SB4S4BH 4" Single Sheave Snatch Block	1 ea



Hay Fork Pulley



- 1/2" wire rope or 1-1/4" Manila rope
- Bronze or roller bearings models
- 3.3 to 1 Design factor
- 2000 lb capacity

Item #	Description	Std Pkg
181-453865	7 lb HF1S4BE-MR Hay Fork Pulley	1 ea
181-453866	8 lb Model HF1S4BE-WR Hay Fork Pulley	1 ea

Hay Fork Pulley with Eye Fitting



- Wire rope measuring up to 1/2" thick
- Working load limit of 2,000 lb
- Can be used in rigging
- Has an eye fitting

Item #	Description	Std Pkg
181-453869	7 lb Model HF1S4RE-MR Hay Fork Pulley	1 ea

Tong Line Block



- Bronze bushing and roller bearing models
- Counter balanced system
- Easy open side plate
- Center pin lubricated
- 4 to 1 design factor

Item #	Description	Std Pkg
181-474807	2.8 Ton Model TL2.8S8RE 8" Tong Line Block	1 ea

Laydown Block



- Bronze bushing and roller bearing models
- Easy open side plate
- 4 to 1 Design factor
- Metric rated

Item #	Description	Std Pkg
181-474812	1 Ton LD1S6BH 6" Sheave Lay Down Block	1 ea
181-474813	1 Ton LD1S6RH 6" Sheave Lay Down Block	1 ea

Guyline Block - Single Sheave



- Available in single & double sheaves
- 3 to 1 design
- Metric rated
- Uses 5/8" rope

Item #	Description	Std Pkg
181-475540020	1 Sheave Model GL 7.5 S6 Guyline Block	1 ea

Guyline Block - 2 Sheave



- Available in single & double sheaves
- 3 to 1 design
- Metric rated
- Uses 5/8" rope

Item #	Description	Std Pkg
181-475541020	2 Sheave Model GL 15 D6 Guyline Block	1 ea



Rig Lizard - 2021



- SlipFit® cuff
- ANSI/ISEA level A3 cut
- ANSI/ISEA level 4 puncture protection
- Hi-Vis Full Impact Exoskeleton™
- Abrasive resistant & oil-resistant grip
- Reinforced index finger and thumb crotch

Item #	Description	Std Pkg
205-2021-L	Size 9 Rig Lizard Impact Hi-Vis Glove - Cut A3	12 pr
205-2021-M	Size 8 Rig Lizard Impact Hi-Vis Glove - Cut A3	12 pr
205-2021-S	Size 7 Rig Lizard Impact Hi-Vis Glove - Cut A3	12 pr
205-2021-XL	Size 10 Rig Lizard Impact Hi-Vis Glove - Cut A3	12 pr
205-2021-XXL	Size 11 Rig Lizard Impact Hi-Vis Glove - Cut A3	12 pr
205-2021-XXXL	Size 12 Rig Lizard Impact Hi-Vis Glove - Cut A3	12 pr

Chrome Series - 4026



- Cut level A8
- Hi-Vis color
- Launderable
- Extrication/rescue
- Oil-gas operations: rig work
- Maintenance, pipe/tool handling

Item #	Description	Std Pkg
205-4026-L	Size 9 Chrome Series Impact Hi-Vis Glove - Cut A8	12 pr
205-4026-M	Size 8 Chrome Series Impact Hi-Vis Glove - Cut A8	12 pr
205-4026-S	Size 7 Chrome Series Impact Hi-Vis Glove - Cut A8	12 pr
205-4026-XL	Size 10 Chrome Series Impact Hi-Vis Glove-Cut A8	12 pr
205-4026-XXL	Size 11 Chrome Series Impact Hi-Vis Glove-Cut A8	12 pr

Chrome Oasis - 4030



- Cut level A8
- Hi-Vis color
- Super Fabric
- Hex vent technology
- Breathable heat release system

Item #	Description	Std Pkg
205-4030-L	Size 9 Oasis Chrome Series Hexvent - Cut A8	12 pr
205-4030-M	Size 8 Oasis Chrome Series Hexvent - Cut A8	12 pr
205-4030-XL	Size 10 Oasis Chrome Series Hexvent - Cut A8	12 pr



Chrome Core Gloves - 4032



- Cut Level A8
- High dexterity with reinforced seams
- Launderable synthetic leather palm
- Neoprene cuff with Velcro® closure
- Oil and abrasion-resistant

Item #	Description	Std Pkg
205-4032-L	Size 9 Chrome Core Mechanics Glove Cut 5	12 pr
205-4032-M	Size 8 Chrome Core Mechanics Glove Cut 5	12 pr
205-4032-XL	Size 10 Chrome Core Mechanics Glove Cut 5	12 pr

Hex1 Arctic - 2123



- C40 Thinsulate™ interior
- Waterproof H2X™ interior liner
- Hi-Vis color scheme
- Launderable
- Cut-resistant

Item #	Description	Std Pkg
205-2123-L	Size 9 Hex1 Arctic Insulated Glove	12 pr
205-2123-M	Size 8 Hex1 Arctic Insulated Glove	12 pr

Chrome Series Gloves - 4080



- Velcro® cuff
- Goatskin leather
- ANSI/ISEA level A8 cut resistance
- Hi-Vis back-of-hand impact protection system
- EN407 level 3 contact heat rated

Item #	Description	Std Pkg
205-4080-L	Sz 9 Chrome Series Leather Impact Glove Cut 5	12 pr
205-4080-M	Sz 8 Chrome Series Leather Impact Glove Cut 5	12 pr
205-4080-XL	Sz 10 Chrome Series Leather Impact Glove Cut 5	12 pr

Rig Lizard - 2025



- Washable
- SlipFit cuff
- Impact protection
- ISEA level A6 cut
- Specialized grip for oily situations

Item #	Description	Std Pkg
205-2025-L	Size 9 Rig Lizard HD impact hi-vis glove	12 pr
205-2025-M	Size 8 Rig Lizard HD impact hi-vis glove	12 pr
205-2025-XL	Size 10 Rig Lizard HD impact hi-vis glove	12 pr

Rig Lizard Thin Lizzie Gloves - 2090X



- 13-gauge HPPE and glass blend shell
- ANSI/ISEA cut level A4 protection
- Flexible sandy nitrile palm coating
- Back-of-hand IR-X® Impact Exoskeleton
- Reinforced thumb crotch patch

Item #	Description	Std Pkg
205-2090X-L	Sz 9 IR-X Impact Glove Exoskeleton Cut 4	12 pr
205-2090X-M	Sz 8 IR-X Impact Glove Exoskeleton Cut 4	12 pr
205-2090X-XL	Sz 10 IR-X Impact Exoskeleton Glove Cut 4	12 pr

Rig Lizard Oasis - 2022



- Cut level A3
- Launderable
- Heat vent nylon
- Breathable slip-fit
- Full impact resistant

Item #	Description	Std Pkg
205-2022-L	Size 9 Oasis Rig Lizard - Cut A3	12 pr
205-2022-M	Size 8 Oasis Rig Lizard - Cut A3	12 pr
205-2022-S	Size 7 Oasis Rig Lizard - Cut A3	12 pr
205-2022-XL	Size 10 Oasis Rig Lizard - Cut A3	12 pr

Rig Lizard Arctic - 2023



- Cut level A3
- Full impact
- Hi-Vis color
- Launderable
- Water-proof and cold resistant

Item #	Description	Std Pkg
205-2023-L	Size 9 Arctic Rig Lizard - Cut A3	12 pr
205-2023-M	Size 8 Arctic Rig Lizard - Cut A3	12 pr
205-2023-S	Size 7 Arctic Rig Lizard - Cut A3	12 pr
205-2023-XL	Size 10 Arctic Rig Lizard - Cut A3	12 pr
205-2023-XXL	Size 11 Arctic Rig Lizard - Cut A3	12 pr

GGT5 Gator Grip - 4020X



- Hi-Vis color
- Machine washable
- Oil-Resistant grip
- Impact protection
- ISEA level A7 cut

Item #	Description	Std Pkg
205-4020X-L	Size 9 GGT5 Gator Grip - Cut A7	12 pr
205-4020X-M	Size 8 GGT5 Gator Grip - Cut A7	12 pr
205-4020X-S	Size 7 GGT5 Gator Grip - Cut A7	12 pr
205-4020X-XL	Size 10 GGT5 Gator Grip - Cut A7	12 pr
205-4020X-XXL	Size 11 GGT5 Gator Grip - Cut A7	12 pr

GGT5 Mud Grip - 4021X



- Mud Grip
- Washable
- Impact protection
- Oil-Resistant grip
- Breathable SlipFit cuff

Item #	Description	Std Pkg
205-4021X-L	Size 9 GGT5 Mud Grip Glove - Cut A7	12 pr
205-4021X-M	Size 8 GGT5 Mud Grip Glove - Cut A7	12 pr
205-4021X-S	Size 7 GGT5 Mud Grip Glove - Cut A7	12 pr
205-4021X-XL	Size 10 GGT5 Mud Grip Glove - Cut A7	12 pr
205-4021X-XXL	Size 11 GGT5 Mud Grip Glove - Cut A7	12 pr



Chrome Series - 4022



- Washable
- Knuckle patch
- Mechanic's style gloves
- ANSI/ISEA Level A8 cut
- Oil-resistant synthetic leather palm

Item #	Description	Std Pkg
205-4022-L	Size 9 Chrome series mechanics glove cut 5	12 pr
205-4022-M	Size 8 Chrome series mechanics glove cut 5	12 pr
205-4022-XL	Size 10 Chrome series mechanics glove cut 5	12 pr
205-4022-XXL	Size 11 Chrome series mechanics glove cut 5	12 pr

Chrome Series - 4024



- ISEA Level 5 cut
- Machine washable
- Mechanic's style gloves
- Padded palms reduce vibration
- Back-of-hand Impact protection

Item #	Description	Std Pkg
205-4024-L	Size 9 Chrome series anti-vibe glove cut 5	12 pr
205-4024-M	Size 8 Chrome series anti-vibe glove cut 5	12 pr
205-4024-XL	Size 10 Chrome series anti-vibe glove cut 5	12 pr

Chrome Series - 4033



- Washable
- SlipFit Cuff
- Oil-Resistant Grip
- ISEA Level A8 Cut
- Touchscreen Thumb & Index

Item #	Description	Std Pkg
205-4033-L	Size 9 Chrome Core cut 5 slip fit style	12 pr
205-4033-M	Size 8 Chrome Core cut 5 slip fit style	12 pr
205-4033-XL	Size 10 Chrome Core cut 5 slip fit style	12 pr



Pallet Puller



- Made of solid steel with heat treatment
- For pulling pallets across a smooth floor
- For unloading truck and extending forklift reach

Item #	Description	Std Pkg
184-16-PP2T-1	2 Ton Pallet Puller Scissor Style	1 ea



Airsoft Ear Plug



- Reusable earplug
- Advanced air pocket design
- Washes with soap and water
- Noise Reduction Rate: 27 dB
- Features internal noise-blocking fins
- Outstanding noise-blocking protection

Item #	Description	Std Pkg
100-DPAS-30W	Airsoft Ear Plug (100bx)	100 pr

Laserlite Ear Plug - Uncorded



- Self-adjusting foam expands
- Soil-resistant foam skin prevents dirt build-up
- Contoured T-shape for easy insertion and wear
- Noise Reduction Rating: 32

Item #	Description	Std Pkg
100-LL-1	Laserlite Uncorded (200bx)	200 pr

Laserlite Ear Plug - Corded



- Self-adjusting foam expands
- Soil-resistant foam skin prevents dirt build-up
- Contoured T-shape for easy insertion and wear
- Noise Reduction Rating: 32

Item #	Description	Std Pkg
100-LL-30	Laserlite Corded (100bx)	100 pr

Maxlite Ear Plug - Uncorded



- Low-pressure foam expands
- Soil-resistant skin prevents dirt build-up
- Contoured T-shape for easy handling and fit
- Noise Reduction Rating of 30 dB

Item #	Description	Std Pkg
100-LPF-1	Maxlite Uncorded (200bx)	200 pr

Maxlite Ear Plug - Corded



- Low-pressure foam expands
- Soil-resistant skin prevents dirt build-up
- Contoured T-shape for easy handling and fit
- Noise Reduction Rating of 30 dB

Item #	Description	Std Pkg
100-LPF-30	Maxlite Corded (100bx)	100 pr

Max Ear Plug - Uncorded



- Bell shape delivers maximum in-ear comfort
- Smooth, soil-resistant closed cell-foam skin
- High-visibility orange polyurethane foam
- Noise reduction rating: 32 dB

Item #	Description	Std Pkg
100-MAX-1	Max Uncorded (200bx)	200 pr



Max Ear Plug - Corded



- Bell shape delivers maximum in-ear comfort
- Smooth, soil-resistant closed cell-foam skin
- High-visibility orange polyurethane foam
- Noise reduction rating: 32 dB

Item #	Description	Std Pkg
100-MAX-30	Max Corded (100bx)	100 pr

Quiet Bands Banded Earplugs - Yellow



- Lightweight and portable
- Noise reduction rating: 25 dB
- Ergonomically-designed band
- Includes pair of replacement pods
- Smooth, ergonomic pods fit in the ear

Item #	Description	Std Pkg
100-QB1HYG	Quiet Bands Banded Earplugs - Yellow	10 pr

Quiet Bands Banded Earplugs - Orange



- Lightweight and portable
- Noise reduction rating: 25 dB
- Ergonomically-designed band
- Includes pair of replacement pods
- Smooth, ergonomic pods fit in the ear

Item #	Description	Std Pkg
100-QB2HYG	Quiet Bands Banded Earplugs - Orange	10 pr

Thunder Ear Muff



- Snap-in ear cushions
- Dielectric construction
- Noise reduction rating: 26 dB
- Quick-Click height adjustment

Item #	Description	Std Pkg
100-1010929	T2 Thunder Ear Muff	10 pr

Legacy Earmuff



- Soft foam cushions
- 6 oz Ultra-lightweight
- QM24+ noise-blocking
- Adjustable crown strap
- Three-position Earmuffs
- Noise reduction rating: 25 dB

Item #	Description	Std Pkg
100-QM24+	Legacy Earmuff	20 pr



Disposable Dust Mask



- Lightweight design
- Low breathing resistance
- Durable suspension straps
- Adjustable nose bridge clip

Item #	Description	Std Pkg
100-14110094CC	Disposable Dust Mask (50/bx)	1 box

N95 Basic Saf-T-Fit Respirators



- Two headstraps
- Molded cup design
- Fits easier on the face
- Low breathing resistance

Item #	Description	Std Pkg
100-14110388	N95 Basic Saf-T-Fit Respirators (20/bx)	1 box

N95 w/nose Seal Saf-T-Fit Respirator



- Boomerang nose seal
- Three color-coded sizes
- Lightweight, humidity resistant

Item #	Description	Std Pkg
100-14110391	N95 W/nose Seal Saf-T-Fit Respirator (20/bx)	1 box

N95 Nose Seal & Exhaust Valve



- Disposable Respirator
- N95 w/ Boomerang Nose Seal & Valve

Item #	Description	Std Pkg
100-14110394	N95 Nose Seal & Exhaust Valve (20/bx)	1 box

Disposable Mask Organic Vapor w/Respirator



- Perspiration port
- Low-profile nose bridge
- Sliding suspension for easy donning

Item #	Description	Std Pkg
100-14130476	Disposable Mask Organic Vapor w/R95 Respirator	1 ea

222 Barrier Cream w/Silicone



- For wet or dry work environments
- Barrier against sticky, staining, and irritating industrial substances

Item #	Description	Std Pkg
100-272204	222 Barrier Cream w/silicone 4 oz	24 ea

Honeywell UVEX

A800 - Clear Lens



- Clear Lens
- Clear Frame
- Anti-scratch Coating

Item #	Description	Std Pkg
100-A800	Clear Frame/Clear Lens Glasses	10 ea

A801 - Gray Lens



- Gray Lens
- Gray Frame
- Anti-scratch Coating

Item #	Description	Std Pkg
100-A801	Gray Lens/Gray Frame Glasses	10 ea

Vapor Safety Eyewear - Clear Lens



- Clear Lens
- Blocks hazardous noise
- Multi-material design with translucent stem

Item #	Description	Std Pkg
100-11150900	Clear Lens/Metallic Blue Frame Glasses w/Cord	10 ea

Vapor Safety Eyewear - Gray Lens



- Gray Lens
- Blocks hazardous noise
- Multi-material design with translucent stem

Item #	Description	Std Pkg
100-11150901	Gray Lens/Metallic Blue Frame Glasses w/Cord	10 ea

Vapor II Safety Eyewear - Clear Lens



- Clear Lens
- Blocks hazardous noise
- Multi-material design with translucent stem

Item #	Description	Std Pkg
100-11150910	Black Frame Clear Lens Glasses	10 ea

Stealth Safety Goggle Glasses



- Snap-on lenses
- Low profile design
- Chemical splash protection

Item #	Description	Std Pkg
100-S3960C	Uvex Stealth Safety Goggle Glasses	12 ea

Headgear for Face Shield V5N



- Heat resistant browguard
- Ratchet or positive snap headband adjustment
- Constructed of tough thermoplastic

Item #	Description	Std Pkg
100-11380048	Headgear for Face Shield V5N	10 ea

Clear Replacement Visor



- 8.5" x 15" x 0.7"
- Heat resistant brow guard
- Impact and splash protection
- Constructed of tough thermoplastic

Item #	Description	Std Pkg
100-11390044	8.5" x 15" x 0.7" Clear Replacement Visor	20 ea

HOPKINS

SubZero 50" Crossover Snowbroom



- Pivoting brush sweeps and pushes snow
- Built-in ice scraper breaks through thick frost and ice
- 50" curved pole makes scraping ice from the windshield easier
- With the push of a button, the pivoting brush becomes a sturdy broom

Item #	Description	Std Pkg
250-14039	Crossover 50" Curved Ice Scraper & Snowbroom	6 ea

Power Series 26" Snowbrush



- Two wiper notches to remove icy buildup
- Dual grip zones improve leverage against thick ice
- Reversible DUO blade improves ergonomics from both side of the vehicle

Item #	Description	Std Pkg
250-18520	Power Series 26" Ice Scraper & Snowbrush	12 ea

SubZero 22" Duo-Grip Snowbrush



- Foam grip for comfort
- Control grip above blade for extra power
- Ice ripper blade clears a wide path every time

Item #	Description	Std Pkg
250-19621	Duo-Grip 22" Snowbrush & Ice Ripper	10 ea

Bear Claw 10" Ice Scraper



- Durable construction
- Flat, compact design
- Easy to use and store
- Top performing product

Item #	Description	Std Pkg
250-16721	Bearclaw 10" Ice Scraper	24 ea



ArcticGuard Snow and Ice Windshield Cover



- Height: 40" and Width: 73"
- Universal fit for most vehicles
- Easy to store away
- Easy to put on and take off

Item #	Description	Std Pkg
250-17529	Arctic Guard Windshield and Mirrors Cover	6 ea



Big Max Torch Kit



- 500,000 BTU propane torch with molded handle
- Solid brass, idle boost/fuel saver valve®
- Comes fully assembled and ready to use
- Burns clean and efficient propane
- Uses standard LP tanks
- Propane tank (not included)
- 10' LP gas hose
- Striker included

Item #	Description	Std Pkg
194-500G	Big Max 500,000 BTU Propane Torch Kit	6 ea

Little Max Torch Kit



- 50,000 BTU Propane Torch
- 18 psi pressure regulator with safety stand
- Molded handle, with solid brass adjusting valve
- Propane tank not included
- 10' LP gas hose
- Striker included

Item #	Description	Std Pkg
194-50G	Little Max 50,000 BTU Propane Torch Kit	6 ea

Drill Type Tip Cleaner Set



- Built-in chuck and pocket clip
- Cleans most standard orifices
- Contains 12 most commonly used drills

Item #	Description	Std Pkg
194-24176	Drill Type Tip Cleaner Sizes 52-74	12 ea



Sample Bags



- High count bleached cloth
- Natural polished drawstring
- Sewn-in label tag
- Tag is waterproof, insect, mildew proof

Item #	Description	Std Pkg
047-4-1/2X6	4-1/2"x6" Sample Bag 100/Box	100 ea
047-5-1/2X10-1/2	5-1/2"x10-1/2" Sample Bag 100/Box	100 ea
047-5X7	5"x7" Sample Bag 100/Box	100 ea



The World Standard of Value

Super Sprayer Poly Sprayers



- Large funnel top
- 6-footed translucent tank
- High Performance Pump
- 18" fiberglass/poly spray wand
- Glove-sized comfort grip handle
- 48" chemical resistant, braided hose
- Both flat fan and cone professional style nozzles

Item #	Description	Std Pkg
252-90162	2 gal Super Sprayer Pro w/Viton Seals	1 ea
252-90163	3 gal Super Sprayer Pro w/Viton Seal	1 ea

Constructo Poly Sprayers



- Large funnel top
- High Performance Pump
- 6-footed translucent tank
- Strong curved brass 18" spray wand
- Easy carry metal "D" handle and push rod
- 8004E TeeJet® Brass nozzle tip, flat fan pattern

Item #	Description	Std Pkg
252-90182	2 gal Constructo Poly Commercial Sprayer	1 ea
252-90183	3 gal Constructo Poly Commercial Sprayer	1 ea

Industro Stainless Steel Sprayers



- Stainless steel tank
- Brass Thrustless™ control valve
- Chemical resistant, braided hose
- 8004E TeeJet® fan pattern nozzle
- Strong curved brass 24" spray wand
- Separate opening allows filling w/o removing pump

Item #	Description	Std Pkg
252-91704	3.5 gal Instructo Stainless Steel Sprayer	1 ea



3 gal Leader Farm Sprayer



- Comfort grip handle
- 15" Curved poly spray wand
- HPP high performance pump
- 6' translucent tank with funnel top

Item #	Description	Std Pkg
252-60193	3 gal Poly Sprayer Leader Farm Sprayer	1 ea



Fullers Earth Powder



- All-purpose, high performance absorbent
- Can be used as a decolorizer, polishing agent, or filtering medium
- Used to absorb oil and water spills

Item #	Description	Std Pkg
028-096712001	12 oz Fullers Earth Powder	12 ea



Black & Silver Putty Knife



- Contoured handle for comfort
- Steel grommet hang hole

Item #	Description	Std Pkg
082-02000	Black & Silver 1-1/4" Flex Putty	5 ea
082-02050	Black & Silver 1-1/4" Stiff Putty	5 ea
082-02100	Black & Silver 1-1/2" Flex Putty	5 ea
082-02150	Black & Silver 1-1/2" Stiff Putty	5 ea
082-02250	Black & Silver 2" Flex Putty	5 ea
082-02300	Black & Silver 2" Stiff Putty	5 ea

Black & Silver Joint Knife



- Contoured handle for comfort
- Steel grommet hang hole

Item #	Description	Std Pkg
082-02350	Black & Silver 3" Flex Joint Knife	5 ea
082-02355	Black & Silver 3" Flex Joint Knife	5 ea
082-02550	Black & Silver 4" Flex Joint Knife	5 ea
082-02750	Black & Silver 5" Flex Joint Knife	5 ea

Black & Silver Chisel Scraper



- Contoured handle for comfort
- Steel grommet hang hole

Item #	Description	Std Pkg
082-02400	Black & Silver 3" Stiff Chisel Edge Scraper	5 ea

Black & Silver Stainless Steel Joint Knife



- Contoured handle for comfort
- Steel grommet hang hole

Item #	Description	Std Pkg
082-02850	Black & Silver 6" Flex Joint Knife	5 ea

Black & Silver SuperFlexx Joint Knife



- Contoured handle for comfort
- Steel grommet hang hole

Item #	Description	Std Pkg
082-02852	Black & Silver 6" SuperFlexx Joint Knife	5 ea

Black & Silver Hammer Head Joint Knife



- Contoured handle for comfort
- Steel grommet hang hole

Item #	Description	Std Pkg
082-02570	Black & Silver 4" Flex Joint Knife	5 ea

Wood Handle Putty Knife



- Handles are contoured and sanded smooth for comfort
- Blades are polished and clear coated
- Brass plated steel grommet hang hole

Item #	Description	Std Pkg
082-07010	Wood Handle 1-1/4" Putty Knife Flex	5 ea
082-07060	Wood Handle 1-1/4" Putty Knife Stiff	5 ea



Wood Handle HD Putty Knife



- Handles are contoured and sanded smooth for comfort
- Blades are polished and clear coated
- Brass plated steel grommet hang hole

Item #	Description	Std Pkg
082-07210	Wood Handle 1-1/4" Extra Heavy Duty Putty Knife	5 ea

Wood Handle Joint Knife



- Handles are contoured and sanded smooth for comfort
- Blades are polished and clear coated
- Brass plated steel grommet hang hole

Item #	Description	Std Pkg
082-07360	Wood Handle 3" Joint Knife Stiff	5 ea
082-07745	Wood Handle 4" Joint Knife Stiff	5 ea
082-07760	Wood Handle 5" Joint Knife Stiff	5 ea
082-07860	Wood Handle 6" Joint Knife Stiff	5 ea

Wood Handle 5-in-1 Multi-Tool



- 5-in-1 painter's tool
- High carbon steel
- Stiff scraper blade

Item #	Description	Std Pkg
082-07975	Wood Handle 5-in-1 Tool	5 ea

Wood Handle Chisel Scraper



- Handles are contoured and sanded smooth for comfort
- Blades are polished and clear coated
- Brass plated steel grommet hang hole

Item #	Description	Std Pkg
082-07410	Wood Handle 3-n-1 Scraper Stiff	5 ea

Black & Silver Lifetime Scraper



- Pull knob grip
- Black and silver
- Handle shaped to fit hand
- Solid polypropylene handle
- 2-1/2" high carbon steel 4-edge blade

Item #	Description	Std Pkg
082-10540	Black and Silver Scraper with Knob 2-1/2"	5 ea
082-11130	Replacement Blade for 10540 Scraper	10 ea

HD Glass Scraper



- Extra firm clamp
- Long handle to keep hand away from blade
- Scraper only – blade not included

Item #	Description	Std Pkg
082-13010	Delta Heavy Duty Glass Scraper	20 ea

Short-Point Flooring Knife



- High carbon cutlery steel
- Blade is hardened, tempered & honed
- Hardwood handle

Item #	Description	Std Pkg
082-20250	Flooring Knife 2-1/2" Short Point	5 ea

Long-Point Vinyl Knife



- High carbon cutlery steel
- Blade is hardened, tempered & honed
- Hardwood handle

Item #	Description	Std Pkg
082-20450	Vinyl Knife 2-1/2" Long Point Linoleum	5 ea

Flooring/Drywall Knife



- High carbon cutlery steel
- Blade is hardened, tempered & honed
- Fiber finish hardwood handle

Item #	Description	Std Pkg
082-20610	3-1/2" Linoleum Dry Wall Knife	10 ea

Flooring/Roofing Knife



- .072" chrome vanadium steel blade
- 5° offset angle for cutting leverage
- Hollow ground to reduce binding
- Soft-grip handle with finger guard

Item #	Description	Std Pkg
082-20550	Black & Silver 2-1/2" Linoleum Knife	5 ea



Top Slide Utility Knife



- 3 blade positions
- Zinc alloy texture finish
- 1 heavy duty blade

Item #	Description	Std Pkg
082-42070	Top Slide Utility Knife	5 ea

Auto-Lock Snap-Off Blade Utility Knife



- 3 blades included, with 8 sharp points per blade
- 2-blade storage in handle
- Retractable blade with one-piece positive lock
- High-impact polystyrene with stainless steel blade track

Item #	Description	Std Pkg
082-42030	Auto-Lock Snap-Off Knife	10 ea

Snap-Off Blade 5-Pack



- 18mm blades
- Built-in blade breakers
- Simply snap off the point to reveal a fresh blade

Item #	Description	Std Pkg
082-42330	Replacement Snap-Off Blades	10 ea

100 Single Edge Razor Blades



- 100 blades per pack
- .009" blade thickness
- Industrial quality steel
- Single edge razor blades
- Reusable dispenser package
- Individually wrapped for safety

Item #	Description	Std Pkg
082-13125	Single Edge Blades 100ea Clam pack	10 ea

Single Edge Razor 10-Blade Dispenser



- 10 single blade dispenser
- Blades are oiled to prevent rusting
- Package has a used blade storage

Item #	Description	Std Pkg
082-13145	Single Edge Blade Dispenser 10pk	10 ea

5 HD Utility Knife Blades



- .025" blade thickness
- Carded for displaying
- Fits most brands utility knives

Item #	Description	Std Pkg
082-42100	Utility Knife Blades (10ea)	10 ea

HD Utility 100-Blade Dispenser



- .025" blade thickness
- Holds 100 heavy duty blades
- Dispenses one blade at a time

Item #	Description	Std Pkg
082-42101	100 Utility Knife Blade Dispenser	1 ea

Smooth Rod Caulk Gun



- Resists corrosion and light rust
- Powder coated steel frame
- Quick thumb release lever
- Use with all 9" cartridges

Item #	Description	Std Pkg
082-46400	10 oz 9" Caulking Gun Smooth Rod Style	12 ea



Micro-Gear 62 Series



- Screw: 1/4" hex head, plated carbon steel
- Housing: 300 stainless
- Band: 5/16", 300 stainless
- Installation torque: 10 to 15 in-lbs

Item #	Description	Std Pkg
091-6204	1/4" - 5/8" Micro-Gear Hose Clamp	10 ea
091-6206	5/16" - 7/8" Micro-Gear Hose Clamp	10 ea
091-62P08	3/8" - 1" Micro-Gear Hose Clamp	10 ea
091-62P20	3/4" - 1-3/4" Micro-Gear Hose Clamp	10 ea

HY-GEAR 50 Series



- Screw: 5/16" hex head, plated carbon steel
- Housing: 200 stainless
- Band: 9/16", 200 stainless
- Installation torque: 35 in-lbs

Item #	Description	Std Pkg
091-5006	5/16" - 3/8" HY-GEAR Hose Clamp	10 ea
091-5008	7/16" - 1" HY-GEAR Hose Clamp	10 ea
091-5010	3/8" - 1/2" HY-GEAR Hose Clamp	10 ea
091-50104	4" - 7" HY-GEAR Hose Clamp	10 ea
091-5012	3/8" - 5/8" HY-GEAR Hose Clamp	10 ea
091-5016	11-16" - 1-1/2" HY-GEAR Hose Clamp	10 ea
091-5020	3/4" - 1-3/4" HY-GEAR Hose Clamp	10 ea
091-5024	7/8" - 1-3/8" HY-GEAR Hose Clamp	10 ea
091-5028	1-1/4" - 1-5/8" HY-GEAR Hose Clamp	10 ea
091-5032	1-1/2" - 1-7/8" HY-GEAR Hose Clamp	10 ea
091-5036	1-3/4" - 2" HY-GEAR Hose Clamp	10 ea
091-5040	2" - 1-1/4" HY-GEAR Hose Clamp	10 ea
091-5044	2-1/4" - 3-1/4" HY-GEAR Hose Clamp	10 ea
091-5048	2-1/2" - 3-1/2" HY-GEAR Hose Clamp	10 ea
091-5052	2-3/4" - 3-3/4" HY-GEAR Hose Clamp	10 ea
091-5056	3" - 4" HY-GEAR Hose Clamp	10 ea
091-5064	2-1/2" - 4-1/2" HY-GEAR Hose Clamp	10 ea
091-5072	3" - 5" HY-GEAR Hose Clamp	10 ea
091-5080	3-1/2" - 5-1/2" HY-GEAR Hose Clamp	10 ea
091-5088	4" - 6" HY-GEAR Hose Clamp	10 ea
091-5096	4-1/2" - 6-1/2" HY-GEAR Hose Clamp	10 ea



Combo Hex 54 Series



- Screw: 3/8" safety-collared hex deep slotted
- Housing: 200 stainless
- Band: 9/16", 200 stainless
- Installation torque: 35 in-lbs

Item #	Description	Std Pkg
091-5406	3/8" - 7/8" Combo Hex Hose Clamp	10 ea
091-5408	7/16" - 1" Combo Hex Hose Clamp	10 ea
091-5410	1/2" - 1-1/16" Combo Hex Hose Clamp	10 ea
091-5412	1/2" - 1-1/4" Combo Hex Hose Clamp	10 ea
091-5416	1-1/16" - 1-1/2" Combo Hex Hose Clamp	10 ea
091-5420	3/4" - 1-3/4" Combo Hex Hose Clamp	10 ea
091-5424	1" - 2" Combo Hex Hose Clamp	10 ea
091-5428	1-1/4" - 2-1/4" Combo Hex Hose Clamp	10 ea
091-5432	1-1/2" - 2-1/2" Combo Hex Hose Clamp	10 ea
091-5436	1-3/4" - 2-3/4" Combo Hex Hose Clamp	10 ea
091-5440	2" - 3" Combo Hex Hose Clamp	10 ea
091-5444	2-1/4" - 3-1/4" Combo Hex Hose Clamp	10 ea
091-5448	2-1/2" - 3-1/2" Combo Hex Hose Clamp	10 ea
091-5452	2-3/4" - 3-3/4" Combo Hex Hose Clamp	10 ea
091-5456	3" - 4" Combo Hex Hose Clamp	10 ea

HY-GEAR 64 Series



- Screw: 3/8" hex head, 410 stainless
- Housing: 200 stainless
- Band: 9/16", 200 stainless
- Installation torque: 35 in-lbs

Item #	Description	Std Pkg
091-6406	3/8" - 7/8" HY-GEAR Hose Clamp	10 ea
091-6408	7/16" - 1" HY-GEAR Hose Clamp	10 ea
091-6410	1/2" - 1-1/16" HY-GEAR Hose Clamp	10 ea
091-64104	5" - 7" HY-GEAR Hose Clamp	10 ea
091-6412	1/2" - 1-1/4" HY-GEAR Hose Clamp	10 ea
091-6416	1-1/16" - 1-1/2" HY-GEAR Hose Clamp	10 ea
091-6420	3/4" - 1-3/4" HY-GEAR Hose Clamp	10 ea
091-6424	1" - 2" HY-GEAR Hose Clamp	10 ea
091-6428	1-1/4" - 2-1/4" HY-GEAR Hose Clamp	10 ea
091-6432	1-1/2" - 2-1/2" HY-GEAR Hose Clamp	10 ea
091-6436	1-3/4" - 2-3/4" HY-GEAR Hose Clamp	10 ea
091-6440	2" - 3" HY-GEAR Hose Clamp	10 ea
091-6444	2-1/4" - 3-1/4" HY-GEAR Hose Clamp	10 ea
091-6448	2-1/2" - 3-1/2" HY-GEAR Hose Clamp	10 ea
091-6452	2-3/4" - 3-3/4" HY-GEAR Hose Clamp	10 ea
091-6456	3" - 4" HY-GEAR Hose Clamp	10 ea
091-6464	2-1/2" - 4-1/2" HY-GEAR Hose Clamp	10 ea
091-6472	3" - 5" HY-GEAR Hose Clamp	10 ea
091-6480	3-1/2" - 5-1/2" HY-GEAR Hose Clamp	10 ea
091-6488	4" - 6" HY-GEAR Hose Clamp	10 ea

HY-GEAR 67 Series



- Screw: 5/16" hex head, 316 stainless
- Housing: 316 stainless
- Band: 1/2", 316 stainless
- Installation torque: 35 in-lbs

Item #	Description	Std Pkg
091-6706-6	3/8" - 7/8" HY-GEAR Hose Clamp	10 ea
091-6708-6	7/16" - 1" HY-GEAR Hose Clamp	10 ea
091-6710-6	1/2" - 1-1/16" HY-GEAR Hose Clamp	10 ea
091-6712-6	1/2" - 1-1/4" HY-GEAR Hose Clamp	10 ea
091-6716-1	3/4" - 7/8" HY-GEAR Hose Clamp	10 ea
091-6716-6	11/16" - 1-1/2" HY-GEAR Hose Clamp	10 ea



Industrial 400 Series Cooler - 421



- Reinforced bail handle
- All plastic, rustproof construction
- Plastic, recessed, drip-proof, pushbutton spigot
- Wide mouth, pressure fit lid has molded-in contour handle

Item #	Description	Std Pkg
143-421	2 gal 400 Series Yellow Industrial Water Cooler	1 ea

Industrial 400 Series Cooler - 431



- Reinforced bail handle
- All plastic, rustproof construction
- Plastic, recessed, drip-proof, pushbutton spigot
- Wide mouth, pressure fit lid has molded-in contour handle

Item #	Description	Std Pkg
143-431	3 gal 400 Series Yellow Industrial Water Cooler	1 ea

Industrial 400 Series Cooler - 451



- Reinforced bail handle
- All plastic, rustproof construction
- Plastic, recessed, drip-proof, pushbutton spigot
- Wide mouth, pressure fit lid has molded-in contour handle

Item #	Description	Std Pkg
143-451	5 gal 400 Series Yellow Industrial Water Cooler	1 ea

Industrial 400 Series Cooler - 4101



- Reinforced bail handle
- All plastic, rustproof construction
- Plastic, recessed, drip-proof, pushbutton spigot
- Wide mouth, pressure fit lid has molded-in contour handle

Item #	Description	Std Pkg
143-4101	10 gal 400 Series Yellow Industrial Water Cooler	1 ea



Cup Dispenser



- Black plastic
- Fits Igloo 3, 5 and 10 gal coolers
- Impact-resistant plastic body with metal cap
- Holds one full sleeve of 4 to 4.5 oz. cone cups
- Removable cap allows for easy loading of cups

Item #	Description	Std Pkg
143-8242	4-4-1/2 oz Black Cup Dispenser	12 ea

Wire Truck Rack



- Welded joints
- Heavy gauge wire truck rack
- Fits 2 to 5 gal standard coolers
- Adjustable webbed cinch strap with metal buckle

Item #	Description	Std Pkg
143-25041	2-5 gal Water Cooler Wire Truck Rack	1 ea
143-25043	10 gal Water Cooler Wire Truck Rack	1 ea

Marine Series White Ice Chest



- Ultratherm insulated body and lid
- Reinforced comfort grip handles
- Recessed triple snap drain plug
- Stain and odor resistant liner

Item #	Description	Std Pkg
143-44683	54 qt White Marine Ultra Ice Chest	2 ea

Spigot Replacement



- Includes 1 spigot and gasket nut
- Front access, push button-style spigot
- Fits all Igloo 2, 3, 5 and 10 gallon beverage coolers

Item #	Description	Std Pkg
143-24009	Spigot Replacement fits all 2, 3, 5 & 10 gal Coolers	10 ea

Ice Chest Hinge Replacement



- 3 Plastic hinges
- 12 Metal screws
- Hinge size: 2-1/4" x 1-1/4"

Item #	Description	Std Pkg
143-24012	Universal Chest Hinge w/12 Screws	40 ea

Latch Set Replacement



- Color: White
- Fits 55 to 165 qt coolers
- Includes: 1 latch, 1 post and 3 screws

Item #	Description	Std Pkg
143-24013	Replacement Latch Set	10 ea



364-FHA Series Tube Bender



- Makes smooth, tight radius
- bends up to 180° with minimum effort
- No scoring or flattening of tubing
- Calibrated to show angle of bend
- Wide hook grips tubing securely.

Item #	Description	Std Pkg
048-364-FHA-04	1/4" Tubing Bender Lever Type	1 ea
048-364-FHA-06	3/8" Tubing Bender Lever Type	1 ea
048-364-FHA-08	1/2" Tubing Bender Lever Type	1 ea
048-364-FHA-12	3/4" Tubing Bender Lever Type	1 ea

364-FHB Series Tube Bender



- Cushion grips
- Bend up 180 degrees
- Lightweight aluminum
- Bends Soft copper, aluminum, brass, steel, SS

Item #	Description	Std Pkg
048-364-FHB-04	1/4" Tubing Bender Lever Type w/Swivel Handle	1 ea
048-364-FHB-06	3/8" Tubing Bender Lever Type w/Swivel Handle	1 ea
048-364-FHB-08	1/2" Tubing Bender Lever Type w/Swivel Handle	1 ea

370-FH Tube Bender



- Calibrated markings
- Adjustable hook
- Optimum bending radius
- Lightweight aluminum
- Cushion grips

Item #	Description	Std Pkg
048-370-FHC	180 Degree Triple Head Lever Bender - Carded	1 ea

564-FH-06 Tube Bender



- Precise bends
- Vise mountable
- Self-aligning rollers
- Starts with handles at 90° angle
- Prevents slippage and flattening
- Fully adjustable to compensate for variances

Item #	Description	Std Pkg
048-564-FH-06	3/8" Heavy Duty Lever Type Tube Bender	1 ea

Cutter Wheel



- Abrasion resistant
- Type: Cutter cutting wheel
- Applications: Pipe, tubing, cutting
- Precision machined for accurate cutting and long life

Item #	Description	Std Pkg
048-S75015	General Purpose Cutter Wheel	10 ea
048-S75046	Stainless Steel Cutter Wheel	5 ea



TC1000 Tube Cutter



- 1/8" to 1-1/8" (4mm to 28mm) O.D. tubing
- Includes (2) S75015 general purpose cutter wheels
- Length 5", wt. 8.8 oz.

Item #	Description	Std Pkg
048-TC1000	1/8" - 1-1/8" Metal Tubing Cutter	1 ea

TC1010 Tube Cutter



- 1/8" to 1-1/8" (4mm to 28mm) O.D. tubing
- Includes (2) S75046 cutter wheels
- Length 5", wt. 8.8 oz.

Item #	Description	Std Pkg
048-TC1010	1/8" - 1-1/8" Metal Tubing Cutter - Stainless Steel	1 ea

312-FC Tube Cutter



- 5-1/2" long
- Spare cutting wheel
- Cuts Copper, Aluminum, Brass, Steel & SS

Item #	Description	Std Pkg
048-312-FC	1/4" - 1-5/8" Metal Tubing Cutter	1 ea

TC1050 Mini-Tube Cutter



- General purpose cutter wheel
- Corrosion resistant steel rollers
- 100% factory tested

Item #	Description	Std Pkg
048-TC1050	1/8" - 5/8" Mini-Tubing Cutter for General Purpose	1 ea

IMP Tube Cutter



- For 1/8" to 5/8" and 1/8" to 1-1/8" O.D. tubing
- Easily completes a full revolution
- Cutter can easily be removed from the handle
- Ergonomic handle with non-slip grip
- Six independent drive pawls provide 15° arc-swing

Item #	Description	Std Pkg
048-TC3050	1/8-1-1/8" Tube Cutter	1 ea

Tube Tool Kit



- Tube cutter: TC-1000
- Flaring tool: 195-FC (45°)
- O.D. tube (inch): 3/16", 1/4", 5/16"
- 3/8", 7/16", 1/2" and 5/8"
- Tool case included

Item #	Description	Std Pkg
048-1226-FA	Tube Cutting & Flaring Kit w/Case	1 ea

Flaring Tool



- Flares 7 sizes of tubing
- Self-centering yoke
- Satin nickel chrome finish
- Hardened steel, chrome finished flaring cones

Item #	Description	Std Pkg
048-195-FC	3/16" - 5/8" 45 Degree Flaring Tool	1 ea



ProTouch Retractable Utility Knife



- Quick change blade mechanism
- Trigger grip for cutting on the pull
- Hinged blade storage for up to 10 blades

Item #	Description	Std Pkg
256-1774106	ProTouch Retractable Utility Knife	5 ea

Self-Retracting Safety Knife



- Tool-free entry
- Ergonomic grip
- Two blade positions
- Self-retracting blade
- Interlocking nose reduces blade wobble

Item #	Description	Std Pkg
256-2088600	Self-Retracting Safety Knife	5 ea

Folding Utility Knife



- 5 Pack
- Welded Bi-Metal for sharp edge and flexible body
- Stay sharper 3X longer than traditional carbon blades

Item #	Description	Std Pkg
256-2089100	Folding Utility Knife	10 ea

Bi-Metal Utility Blade



- Welded Bi-Metal for sharp edge and flexible body
- Stay sharper 3X longer than traditional carbon blades

Item #	Description	Std Pkg
256-2084100	Bi-Metal Utility Blades (5 Pack)	5 ea
256-2084400	Bi-Metal Utility Blades (100 Pack)	5 ea



Bi-Metal Safety Blade



- 50 Pack with Dispenser
- Blunted ends inhibit puncture wounds
- Speed tip penetrates surfaces easily
- Stay sharper 3X longer than traditional carbon blades

Item #	Description	Std Pkg
256-2088300	Bi-Metal Safety Blades w/Dispenser (50-Pack)	5 ea

29pc Cobalt Drill Bit Set



- 135° split point tip
- Automatic indexing
- Removable cartridges
- Rubber overmolded case
- M-35 5% cobalt high speed steel
- Sizes include 1/16" to 1/2" in 1/64" increments

Item #	Description	Std Pkg
256-3018002	29pc Cobalt M35 HSS Fractional Drill Bit Set	1 ea

29pc Titanium Drill Bit Set



- 135° split point tip
- Removable cartridges
- Titanium Nitride Coating
- Sizes include 1/16" to 1/2" in 1/64" increments

Item #	Description	Std Pkg
256-3018003	29pc Titanium HSS Fractional Drill Bit Set	1 ea

29pc HSS Drill Bit Set



- **Sizes:** 1/16" - 1/4" in 1/64" increments
- M-2 high speed steel
- Standard 118° point for use in wood, metal, and plastic

Item #	Description	Std Pkg
256-60138	General Purpose HSS Fractional Drill Bit Set	1 ea

29pc Turbomax HSS Drill Bit Set



- **Sizes:** 1/16" - 1/2" in 1/64" increments
- M-2 high speed steel
- Revolutionary tip design
- Three-flatted shank design
- Provides better chuck grip and reduces slippage

Item #	Description	Std Pkg
256-73138	29pc Turbomax HSS Fractional Drill Bit Set	1 ea

8pc HSS Drill Bit Set



- **Sizes:** 9/16" - 1" in 1/32" increments
- M-7 high speed steel
- Three-flatted shank design
- Silver & Deming High Speed Steel
- Provides better chuck grip and reduces slippage
- Standard 118° point for use in wood, metal, and plastic

Item #	Description	Std Pkg
256-90108	8pc S&D HSS Fractional 1/2", 9/16"-1" Drill Bit Set	1 ea



40 pc Plug Tap & Hex Die Set



- Self-aligning taps
- Self-aligning dies
- Ergonomic handles
- Drive with adjustable jaw
- Drive with die stock, 3" ratchet or T-handle included
- Die adapter accommodates standard 1" hex dies

Item #	Description	Std Pkg
256-1835091	40pc Plug Tap & Hex Die Set	1 ea

12pc Hexagon Re-threading Die Set



- **Sizes:** 1/8" - 27 NPT, 1/4" - 18 NPT, 3/8" - 18 NPT, 1/2" - 14 NPT, 3/4" - 14 NPT, 1" - 11-1/2 NPT

Item #	Description	Std Pkg
256-1920	12pc Tap & Re-Threading Hexagonal Pipe Die Set	1 ea

24pc Tap & Die Set



- **Fractional Plug Tap & Hexagon Die Sizes:** 1/4" - 20 NC, 1/4" - 28 NF, 5/16" - 18 NC, 5/16" - 24 NF, 3/8" - 16 NC, 3/8" - 24 NF, 7/16" - 14 NC, 7/16" - 20 NF, 1/2" - 13 NC, 1/2" - 20 NF
- **Pipe Thread Plug Tap and 1" Hexagon Die Sizes:** 1/8" - 27 NPT
- Plain Die Stock - 1" Dies, Offset Adj. Tap Wrench No. 0 to 1/2"

Item #	Description	Std Pkg
256-24614	24pc Fractional Tap & Die Set	1 ea

48pc Master Extraction Set



- 6 Spiral Flute Extractors
- 13 Multi-Spline Extractors
- 13 Bolt Extractors
- 16 Left-Hand Cobalt Drill Bits

Item #	Description	Std Pkg
256-3101010	48pc Master Extraction Set	1 ea

**IRWIN.
HANSON.**

25pc Hex Head Multi-Spline Extractor Set



- **Sizes:** 1/8" - 7/8"
- Aggressive left hand spiral design
- Designed to remove broken studs, bolts, socket screws and fittings

Item #	Description	Std Pkg
256-53227	25pc Hex Head Multi-Spline Extractor Set	1 ea

6pc Spiral Screw Extractor Set



- **Sizes:** EX-1, EX-2, EX-3, EX-4, EX-5 & EX-6
- Aggressive left hand spiral design
- Removes broken studs, bolts, socket screws & fittings

Item #	Description	Std Pkg
256-53545	6pc Spiral Screw Extractor Set	5 ea

6pc Straight Flute Extractor Set



- **Sizes:** ST-1 to ST-6 screw extractors
- For softer materials or thin-walled pieces
- Removes both left-hand & right-hand threaded parts

Item #	Description	Std Pkg
256-53645	6pc Straight Flute Extractor Set	5 ea

**IRWIN.
Unibit.**

Step Drill Bit - #1



- 13 Steps
- 1/8" Thickness
- Hole Sizes: 1/8" - 1/2"
- Single-flute cutting edge
- Hex shank prevents slipping in drill chuck

Item #	Description	Std Pkg
256-10231	#1 1/8"-1/2", 1/4" Hex 13 Sizes	1 ea

Step Drill Bit - #2



- 6 Steps
- 3/8" Thickness
- Hole Sizes: 3/16" - 1/2"
- Single-flute cutting edge
- Hex shank prevents slipping in drill chuck

Item #	Description	Std Pkg
256-10232	#2 3/16"-1/2", 1/4" Hex 6 Sizes	1 ea

Step Drill Bit - #3



- 9 Steps
- 1/8" Thickness
- Hole Sizes: 1/4" - 3/4"
- Single-flute cutting edge
- Hex shank prevents slipping in drill chuck

Item #	Description	Std Pkg
256-10233	#3 1/4"-3/4", 3/8" Hex 9 Sizes	1 ea

Step Drill Bit Set



- Includes HSS #1, 2 & 3
- Single-flute cutting edge
- 3 flatted shank prevents slipping
- Non-skid self-starting tip eliminates skidding

Item #	Description	Std Pkg
256-10502ZR	#1, 2 & 3 High Speed Steel Set	1 ea

**IRWIN.
VISE-GRIP**

Cutting Pliers



- Jaw Length: 7/8"
- Jaw Width: 1-1/8"
- ProTouch™ grips
- Induction hardened cutting edge
- Nickel chromium steel construction
- Lifetime Guarantee

Item #	Description	Std Pkg
256-1773633	8" Angled Head Diagonal Pliers	5 ea

Cutting Pliers



- Jaw Length: 7/8"
- Jaw Width: 1-1/8"
- ProTouch™ grips
- Induction hardened cutting edge
- Nickel chromium steel construction
- Lifetime Guarantee

Item #	Description	Std Pkg
256-2078308	8" Diagonal Cutting Pliers	5 ea

Linemans Pliers



- ProTouch grips
- Jaw Width: 1-3/16"
- Jaw Length: 1-15/32"
- Induction-hardened cutting edge
- Nickel-chromium steel construction

Item #	Description	Std Pkg
256-2078208	8" N. American Linemans Pliers	5 ea



Long Nose Pliers



- ProTouch grips
- Jaw Width: 23/32"
- Jaw Length: 1-25/32"
- Induction-hardened cutting edge
- Nickel-chromium steel construction

Item #	Description	Std Pkg
256-2078216	6" Long Nose Pliers	5 ea

Long Nose Pliers



- ProTouch grips
- Jaw Width: 15/16"
- Jaw Length: 2-5/16"
- Induction-hardened cutting edge
- Nickel-chromium steel construction

Item #	Description	Std Pkg
256-2078218	8" Long Nose Pliers	5 ea

Self-Adjusting Wire Strippers



- Jaw Width: 2"
- ProTouch™ grips
- Self-adjusting stripper strips wire from 10-24 AWG
- Adjustable stopper controls the length of the core strip

Item #	Description	Std Pkg
256-2078300	8" Self-Adjusting Oval/Flat Wire Stripper	5 ea

Convertible Snap Ring Pliers



- Jaw Width: 1-7/20"
- Jaw Length: 6-1/2"
- For internal and external use
- Includes 4 interchangeable tips
- ProTouch grips

Item #	Description	Std Pkg
256-2078900	6-1/2" Convertible Snap Ring Plier	5 ea

Fencing Pliers



- Jaw Width: 21/25"
- Jaw Length: 10-1/4"
- Nickel chromium steel
- ProTouch grips

Item #	Description	Std Pkg
256-2078901	10-1/4" Fencing Pliers w/Pro Touch Grips	5 ea

Oil Filter/PVC Pipe Pliers



- Jaw Length: 1-3/4"
- Jaw Capacity: 1-3/4"
- 4 Adjustment Positions
- Designed for Oil Filters or PVC Pipe
- Lifetime Guarantee

Item #	Description	Std Pkg
256-1773631	9" Oil Filter/PVC Pipe Pliers	5 ea

5pc ProPlier Kitbag Set



- **Includes:** 6" Slip Joint Pliers, 6" Diagonal Cutting Pliers, 8" Linesmans Pliers, 10" Adjustable Wrench & 10" Groove Joint Pliers

Item #	Description	Std Pkg
256-2078708	5pc ProPlier Kitbag Set	2 ea

8pc GrooveLock Pliers Set



- **Includes:** 8", 10" & 12" GrooveLock Pliers, 10" Adjustable Wrench, 8" Long Nose Pliers, 8" Linesmans Pliers, 6" Diagonal Cutter & 6" Slip Joint Pliers

Item #	Description	Std Pkg
256-2078712	8pc Groovelock/Propliers Kit	2 ea

5pc GrooveLock/Tradition Pliers Kitbag Set



- **Includes:** GV10R, 9LNFC, DIA8A, 8LNE & GV6 Pliers

Item #	Description	Std Pkg
256-1802536	5pc Groovelock/Tradition Pliers Kitbag Set	2 ea

7pc GrooveLock/Tradition Pliers Kitbag Set



- **Includes:** 6" GrooveLock Pliers, 8" Long Nose Pliers, 8" Diagonal Cutting Pliers, 9" Long Nose Pliers, 9-1/2" Linemans Pliers, 10" Curved Jaw Locking Pliers & 10" GrooveLock Straight-Jaw Pliers

Item #	Description	Std Pkg
256-1802537	7pc Groovelock/Tradition Pliers Kitbag Set	2 ea



Pipe Wrench - Cast Aluminum



- I-Beam handle
- Drop-forged jaw
- Hammer head design
- Easy spin adjusting nut
- Heavy Duty cast aluminum housing 40% lighter than cast iron

Item #	Description	Std Pkg
256-2074110	10" Pipe Wrench Cast Aluminum	5 ea
256-2074112	12" Pipe Wrench Cast Aluminum	5 ea
256-2074114	14" Pipe Wrench Cast Aluminum	5 ea
256-2074118	18" Pipe Wrench Cast Aluminum	5 ea
256-2074124	24" Pipe Wrench Cast Aluminum	1 ea
256-2074136	36" Pipe Wrench Cast Aluminum	1 ea
256-2074148	48" Pipe Wrench Cast Aluminum	1 ea

Pipe Wrench - Cast Iron



- Drop-forged jaw
- Wide I-Beam handle
- Hammer head design
- Easy spin adjusting nut
- Highest grade cast iron

Item #	Description	Std Pkg
256-274101	10" Cast Iron Pipe Wrench	5 ea
256-274102	14" Cast Iron Pipe Wrench	5 ea
256-274103	18" Cast Iron Pipe Wrench	5 ea
256-274104	24" Cast Iron Pipe Wrench	1 ea
256-274105	8" Cast Iron Pipe Wrench	5 ea
256-274106	12" Cast Iron Pipe Wrench	5 ea
256-274107	36" Cast Iron Pipe Wrench	1 ea
256-274108	48" Cast Iron Pipe Wrench	1 ea



Engineer Hammer - Wood Handle



- 2lb Forged tempered steel hammer head
- Splinter resistant, 16 inch hickory wood handle
- Perfect for heavy hammering, demolition work, and driving spikes or wedges

Item #	Description	Std Pkg
161-1196200	2 lb Engineer Hammer W/16" Wood Handle	2 ea
161-1196300	3 lb Engineer Hammer W/16" Wood Handle	2 ea
161-1196900	4 lb Engineer Hammer W/16" Wood Handle	6 ea
161-1197500	6 lb Sledge Hammer W/16" Wood Handle	3 ea
161-1198900	8 lb Sledge Hammer W/16" Wood Handle	3 ea

Engineer Hammer - Fiberglass Handle



- 4lb Forged tempered steel hammer head
- Dependable 16 inch blue fiberglass handle
- Perfect for heavy hammering, demolition work, and driving spikes or wedges

Item #	Description	Std Pkg
161-1197000	4 lb Engineer Hammer W/16 Fiberglass Handle	6 ea

Drill Hammer - Fiberglass Handle



- 3lb Forged steel, Tough-As-Nails hammer head
- Dependable, 10.5 inch fiberglass handle
- Use for chisels, punches, star drills, and hardened nails

Item #	Description	Std Pkg
161-1196500	3 lb Drilling Hammer 10.5" Fiberglass Handle	2 ea

Sledge Hammer - 34" Fiberglass Handle



- 6lb Forged tempered steel hammer head
- Dependable 34 inch blue fiberglass handle
- Perfect for destruction work and breaking dry and masonry walls.

Item #	Description	Std Pkg
161-1197600	6 lb Sledge Hammer w/34" Fiberglass Handle	3 ea

Sledge Hammer - Wood Handle



- 6, 8, 10, 12, 16 or 20 lb Forged tempered steel hammer head
- Splinter and shock resistant 36 inch hickory wood handle
- Perfect for destruction work and breaking dry and masonry walls.

Item #	Description	Std Pkg
161-1197400	6 lb Sledge Hammer W/36" Wood Handle	3 ea
161-1197900	8 lb Sledge Hammer W/36" Wood Handle	3 ea
161-1199100	10 lb Sledge Hammer W/36" Wood Handle	2 ea
161-1199400	12 lb Sledge Hammer W/36" Wood Handle	2 ea
161-1199700	16 lb Sledge Hammer W/36" Wood Handle	2 ea
161-1199900	20 lb Sledge Hammer W/36" Wood Handle	2 ea

Sledge Hammer - 36" Fiberglass Handle



- 8 lb Forged tempered steel hammer head
- Dependable 36 inch blue fiberglass handle
- Striking face is heat-treated to withstand many years of heavy blows

Item #	Description	Std Pkg
161-1198800	8 lb Sledge Hammer w/36" Fiberglass Handle	3 ea



Kodiak Square Point Shovel



- 14 gauge steel blade with forward turned-step placement
- Splinter resistant 48 inch hickory wood handle
- Perfect for moving loose ground material such as top soil, sand, and debris

Item #	Description	Std Pkg
161-1309500	LHSP Square Point Shovel W/48" Handle Pro-Grade	6 ea

Kodiak Round Point Shovel



- 14 gauge steel blade with forward turned-step placement
- Splinter resistant 48 inch hickory wood handle
- Perfect for digging jobs and made to withstand years of repeated use

Item #	Description	Std Pkg
161-1309800	LHRP Round Point Shovel W/48" Handle	6 ea

Small Blade Round Point Shovel



- 9.5-gauge steel blade with forward turned-step placement
- Splinter resistant 45 inch hickory wood handle
- Perfect for wide variety of materials: clay, concrete, gravel, and soil

Item #	Description	Std Pkg
161-1554300	LHRP Small Blade Shovel W/45" Handle	6 ea

Kodiak Round Point Shovel - Fiberglass



- 14-gauge steel serrated blade
- Dependable 14 inch blue fiberglass handle
- Large steel collar adds maximum strength to handle and socket connection

Item #	Description	Std Pkg
161-1558300	LHRP Shovel W/48" Fiberglass Handle & 9" Grip	6 ea



Cold Weld Compound - Display



- Tensile strength is 3,960 PSI
- Will set in 4-6 hours, and cure in 16-24 hours
- Waterproof, petroleum, chemical, acid resistant
- Can be drilled, tapped, machined, filed, sanded, painted

Item #	Description	Std Pkg
077-8265	Cold Weld Compound Display	1 ea

Cold Weld Compound - Carded



- Tensile strength is 3,960 PSI
- Will set in 4-6 hours, and cure in 16-24 hours
- Waterproof, petroleum, chemical, acid resistant
- Can be drilled, tapped, machined, filed, sanded, painted

Item #	Description	Std Pkg
077-8265-S	Twin Tube Cold Weld Compound - Carded	24 ea

Pro Cold Weld Compound



- For strong permanent repairs
- Stays pliable for 30 minutes after mixing
- Sets in 4-6 hours and cures fully in 15-24 hours
- Can be formed, drilled, ground, tapped, machined, filled, sanded, and painted

Item #	Description	Std Pkg
077-8280	10 oz Industrial Professional Cold Weld Compound	6 ea

Epoxy Weld Compound



- Strength of 900 PSI
- Sets in 5 min, cures in 1 hour
- Repairs anything made of metal
- Will cure on wet and dry surfaces
- Can be drilled, filed, tapped, machined and painted

Item #	Description	Std Pkg
077-8267	2 oz Stik Weld Epoxy Compound	6 ea

KwikWeld Compound



- Cures to a dark grey color
- Sets in 6 minutes and cures in 4-6 hrs
- Tensile strength of 2424 PSI
- Withstands temperatures up to 300° F
- Forms a permanent bond and can be shaped, tapped, filed, sanded and drilled

Item #	Description	Std Pkg
077-8276	KwikWeld Fast Set Compound - Carded	24 ea

Water Weld Compound



- Fully cures in 20-30 minutes
- Sets in 30 minutes and paintable in 1 hour
- Plugs holes and makes permanent repairs
- Works on moist surfaces and under water
- Use on automotive, ceramic, fiberglass, metal
- Great for plumbing, tub, shower and drains

Item #	Description	Std Pkg
077-8277	Water Weld Compound - Carded	6 ea

Perm-O-Seal Radiator Sealant



- Quickly seal leaks
- Nontoxic with seven organic ingredients
- It will not clog or harm your cooling system
- Rust inhibitor and lubricant to internal cooling system parts
- The powered concentrate allows for an economical repair

Item #	Description	Std Pkg
077-DS-114	Perm-O-Seal Radiator Stop Leak - Carded	24 ea



Hand Chain Hoist L-100 Series



- Patented fused brake system
- Available in 1/4" to 20 ton capacity
- Comes in standard lift of: 10, 15, 20 & 30 ft
- Alloy steel hooks
- Grade 100 alloy chain
- All steel construction

Item #	Description	Std Pkg
113-101210	1 ton Hand Chain Hoist 10' Lift L-100-100-10	1 ea
113-101215	1 ton Hand Chain Hoist 15' Lift L-100-100-15	1 ea
113-101610	1.5 ton Hand Chain Hoist 10' Lift L-100-150-10	1 ea
113-101615	1.5 ton Hand Chain Hoist 15' Lift L-100-150-15	1 ea
113-102210	2 ton Hand Chain Hoist 10' Lift L-100-200-10	1 ea
113-102215	2 ton Hand Chain Hoist 15' Lift L-100-200-15	1 ea
113-103210	3 ton Hand Chain Hoist 10' Lift L-100-300-10	1 ea
113-103215	3 ton Hand Chain Hoist 15' Lift L-100-300-15	1 ea
113-105215	1/2 ton Hand Chain Hoist 15' Lift L-100-50-15	1 ea
113-106210	1/2 ton Hand Chain Hoist 10' Lift L-100-50-10	1 ea

Hand Chain Hoist S90-100 Series



- Light duty – industrial
- Dual pawl brake system
- Alloy steel hooks
- Grade 80 alloy chain
- All steel construction
- Compact design

Item #	Description	Std Pkg
113-101910	Jet 1 Ton 10' Lift Hand Chain Hoist S90-100-10	1 ea
113-101911	Jet 1 Ton 15' Lift Hand Chain Hoist S90-100-15	1 ea
113-101920	1.5 Ton 10' Lift Hand Chain Hoist S90-150-10	1 ea
113-101921	1.5 Ton 15' Lift Hand Chain Hoist S90-150-15	1 ea

Lever Hoist - JLH Series



- Fused brake system
- Offset handle design
- Easy free chain design
- Lifetime replacement warranty
- Slip clutch style overload protection

Item #	Description	Std Pkg
113-376201	1 ton Lever Hoist 10' Lift JLH-100WO-10	1 ea
113-376202	1 ton Lever Hoist 15' Lift JLH-100WO-15	1 ea
113-376203	1 ton Lever Hoist 20' Lift JLH-100WO-20	1 ea
113-376300	1 ton Lever Hoist 5' lift JLH-150WO-5	1 ea
113-376301	1.5 ton Lever Hoist 10' Lift JLH-150WO-10	1 ea
113-376302	1.5 ton Lever Hoist 15' Lift JLH-150WO-15	1 ea

Lever Hoist - JLP Series



- Dual pawl brake system
- Alloy steel hooks
- Grade 80 alloy chain
- Available in 1/4 to 6 ton capacity
- Lifts from 5' to 20'
- Needle bearing design

Item #	Description	Std Pkg
113-287302	Jet 3/4 Ton 15' Lift Lever Hoist JLP-075A-15	1 ea
113-287400	1.5 ton 5' Lift Lever Hoist JLP-150A-5	1 ea
113-287401	Jet 1.5 Ton 10' Lift Lever Hoist JLP-150A-10	1 ea
113-287403	Jet 1.5 Ton 20' Lift Lever Hoist JLP-150A-20	1 ea

1/4 Ton Mini Puller - JLP-A



- Industrial rated alloy steel hooks
- Weston Style, double pawl brake design
- Hooks rotate 360 degrees for easy rigging
- Durability

Item #	Description	Std Pkg
113-287100	1/4 Ton 5' Lift Lever Hoist JLP-025A-5	1 ea

Impact Wrench - R6 Series



- Pin clutch impact
- Lightweight aluminum construction
- One-hand forward/reverse button
- 50-200ft/lbs working torque
- Uses 3/8" air hose

Item #	Description	Std Pkg
113-505102	1/2" Impact Wrench R6 250' lbs Torque JAT-102	1 ea

Ratchet Wrench - R6 Series



- Steel ball retainers
- Hardened steel gears
- Variable-speed control
- Ball bearing construction throughout

Item #	Description	Std Pkg
113-505301	3/8" Ratchet Wrench R6 50' lbs Torque JAT-301	1 ea

Die Grinder - R6 Series



- Use 3/8" air hose
- Rugged ball-bearing design
- Lightweight aluminum construction
- Variable-speed throttle w/safety lock

Item #	Description	Std Pkg
113-505401	R6 Die Grinder 23,000 RPM JAT-401	1 ea



1/4" Right Angle Die Grinder



- Right-angle head design
- Safety throttle lock prevents engagement
- Variable-speed throttle ramps up to maximum RPM
- Sealed ball bearing design keeps out contaminants promoting smooth operation

Item #	Description	Std Pkg
113-505403	1/4" Right Angle Die Grinder R6 23,000 RPM JAT-403	1 ea

1/4" Extended Die Grinder



- Safety throttle lock
- Sealed ball bearing design
- Extended design for additional reach
- Variable-speed throttle ramps to maximum RPM

Item #	Description	Std Pkg
113-505402	1/4" Die Grinder Extended R6 JAT-402	1 ea

Needle Scaler - R8 Series



- Lever lock
- Use 3/8" air hose
- For cleaning and surface prep
- HD heat treated barrels & pistons

Item #	Description	Std Pkg
113-505800	R8 Needle Scaler 4,000 RPM JAT-800	1 ea

19 pc Needle Set



- 3mm x 180mm replacement needles
- Replacement set for Needle Scaler – R8 Series

Item #	Description	Std Pkg
113-N307	19 pc Needle Set for A 505800 Scaler	1 ea

3/8" Reversible Air Drill



- Top-mounted forward/reverse switch
- For daily use, 8 hours in demanding applications
- Ergonomically designed grip absorbs vibration
- Sealed Ball bearing design keeps out contaminants

Item #	Description	Std Pkg
113-505610	3/8" Reversible Air Drill R8 Series JAT-610	1 ea

Bench Grinder - JBG Series



Contains:

- Large eye shields
- 2 - 1 piece tool rest
- Cast iron wheel guards
- Fine & coarse grinding wheels

Item #	Description	Std Pkg
113-577101	6" JBG-6A Bench Grinder 1 PH-2 HP-115V	1 ea
113-577102	8" JBG-8A Bench Grinder 1 PH-1 HP-115 V-3	1 ea
113-577103	10" JBG-10A Bench Grinder 1 PH-1-1/2 HP-115 V	1 ea

Pallet Jack - PTW series



- 6,000 lbs capacity
- 200° turning radius
- 20 1/2" x 48" pallet jack
- Smooth, special lowering valve for controlled descent
- 7" poly-over-aluminum steer wheels

Item #	Description	Std Pkg
113-140172	20-1/2" X 48" Jack 6,000 lb cap. PTW-2048	1 ea

Pallet Jack - JTX series



- 8,000 lbs capacity
- 210° turning radius
- Rounded fork tips
- Nylon guide rollers
- 27" x 48" pallet jack
- Chrome-plated pump piston
- Poly over aluminum 8" x 2" steer wheels

Item #	Description	Std Pkg
113-140800	27" X 48" Hand Pallet Jack 8,000 lb JTX-2748	1 ea

Pallet Jack - J series



- 2-1/2" low profile
- 5,000 lbs capacity
- 180° turning radius
- 27" x 48" pallet jack
- Powder-coat finish
- Welded all-steel frame

Item #	Description	Std Pkg
113-151009	27" x 48" Hand Pallet Jack 5,000 lb PT-2748J	1 ea



Kopr-Kote Anti-Seize - Brush Top



- Environmentally safe
- Protects against rust, oxidation and corrosion
- Will not harden, evaporate or settle out
- Requires no thinning
- Water resistant

Item #	Description	Std Pkg
202-10002	1/2 lb Anti-Seize Compound w/Brush Top	12 ea
202-10004	1 lb Anti-Seize Compound w/Brush Top	12 ea



Kopr-Kote Anti-Seize - 1 gal



- Environmentally safe
- Protects against rust, oxidation and corrosion
- Will not harden, evaporate or settle out
- Requires no thinning
- Water resistant

Item #	Description	Std Pkg
202-10091	1 gal Anti-Seize Compound	1 ea

Silver Plus Anti-Seize



- High content of aluminum
- Micro sized particles for lubrication
- Choice for components made of aluminum alloys
- Protects threads from rust corrosion and seizing

Item #	Description	Std Pkg
202-69904	1 lb Silver Plus Anti-Seize w/Brush Top	12 ea

PTFE Thread Sealant



- No lead
- Nontoxic
- Nonstaining
- Contains PTFE
- Safe for portable water lines

Item #	Description	Std Pkg
202-24004	1 lb PTFE Thread Sealant w/Brush Top	12 ea

SS-30 Pure Copper Anti-Seize Lubricant



- Does not require mixing
- Contains no lead or graphite
- High content of micro-size, pure copper flakes
- Will not separate, settle out, harden, or dry out in storage
- Fortified with anti-oxidants and corrosion inhibitors

Item #	Description	Std Pkg
202-12504	1 lb SS-30 Anti-Seize Hi-Temp Copper - Brush Top	12 ea

550 Non-Metallic Anti-Seize Compound



- Assures protection against rust, oxidation, and corrosion
- Will not harden, evaporate, or settle out; and it requires no thinning
- Homogeneous composition offers maximum protection against seizure and heat

Item #	Description	Std Pkg
202-15504	1 lb 550 Anti-Seize Compound - Brush Top	12 ea

API Modified Thread Compound



- Will Not Harden Or Dry
- Prevents Galling And Wear
- Custom-Refined, Low-Sulfur Oil
- Can Withstand Pressures Up To 10,000 PSI
- Additives For Rust And Corrosion Protection

Item #	Description	Std Pkg
202-22112	2.5 gal API-Mod Thread Sealant 25 lb	1 ea

TF-15 Metal Free Thread Sealant



- Seals badly worn threads
- Greatly increases connection life
- Provides protection against galling and wear

Item #	Description	Std Pkg
202-23023	1 gal TF-15 Metal Free Thread Sealant	1 ea

TF-25 HD Thread Sealant with PTFE



- Water resistant, non-hardening
- Completely stable and requires no thinner
- Adheres securely - even on wet or oily threads
- Ingredients are inert, noncorrosive, and nonconductive

Item #	Description	Std Pkg
202-23502	1/2 pt TF-25 Heavy Duty Thread Sealant	12 ea
202-23504	1 pt TF-25 Heavy Duty Thread Sealant	12 ea

Moly-Mist Dry Film Lube



- Lowers friction
- Low friction anti-seizable
- Not classified as a marine pollutant
- Not affected by contraction, expansion or vibration

Item #	Description	Std Pkg
202-10041	12 oz Moly-Mist Dry Film Lube	12 ea

Moly Mist Dry Film Lubricant



- Solid, dry-form lubricant
- Molybdenum Disulphide (MoS₂)
- Reduces torque and power consumption
- Lowers friction, prevents galling, seizure, stick-slip, fretting, corrosion and metal-to-metal contact

Item #	Description	Std Pkg
202-16041	Moly-Mist Dry Film Lubricant	12 ea

C-Plate Copper Rich Coating



- Aides in preventing galling
- Air-cures at room temperature in 4 to 6 hours
- Forms a durable, acid-free, corrosion-resistant finish
- Provides a durable micro-thin coating of copper to machined surfaces

Item #	Description	Std Pkg
202-61741	C-Plate Copper Rich Coating	12 ea



All Purpose Hand Cleaner



- Joe's creamy formula liquefies, gently lifts grease, grime and stains from the hands safely without water
- Lanolin and skin care emollients help heal rough, dry hands
- Cleans and conditions without the greasy feeling

Item #	Description	Std Pkg
012-101-P	4 lb 5 oz All Purpose Plastic Can	6 ea

All Purpose Hand Cleaner - 30 oz



- Joe's creamy formula liquefies, gently lifts grease, grime and stains from the hands safely without water
- Lanolin and skin care emollients help heal rough, dry hands
- Cleans and conditions without the greasy feeling

Item #	Description	Std Pkg
012-102	30 oz All Purpose Plastic Can	12 ea

All Purpose Hand Cleaner - 1 lb



- Joe's creamy formula liquefies, gently lifts grease, grime and stains from the hands safely without water
- Lanolin/skin care emollients help heal rough, dry hands
- Cleans and conditions without the greasy feeling

Item #	Description	Std Pkg
012-103	1 lbs All Purpose Plastic Can	24 ea

All Purpose Hand Cleaner - 5 gal



- Joe's creamy formula liquefies, gently lifts grease, grime and stains from the hands safely without water
- Lanolin and skin care emollients help heal rough, dry hands
- Cleans and conditions without the greasy feeling

Item #	Description	Std Pkg
012-104	5 gal All Purpose	1 ea

All Purpose Hand Cleaner - 15 oz



- Joe's creamy formula liquefies, gently lifts grease, grime and stains from the hands safely without water
- Lanolin and skin care emollients help heal rough, dry hands
- Cleans and conditions without the greasy feeling

Item #	Description	Std Pkg
012-105	15 oz All Purpose Plastic Squeeze Tube	12 ea

All Purpose Hand Cleaner - 55 gal



- Joe's creamy formula liquefies, gently lifts grease, grime and stains from the hands safely without water
- Lanolin and skin care emollients help heal rough, dry hands
- Cleans and conditions without the greasy feeling

Item #	Description	Std Pkg
012-106	55 gal All Purpose Drum	1 ea

All Purpose Hand Cleaner - 1 gal



- Joe's creamy formula liquefies, gently lifts grease, grime and stains from the hands safely without water
- Lanolin and skin care emollients help heal rough, dry hands
- Cleans and conditions without the greasy feeling

Item #	Description	Std Pkg
012-109	1 gal All Purpose Plastic Pail	2 ea

Hand Scrub Hand Cleaner



- True scrubbing action instead of a tearing or abrasive cleaning
- Polyethylene bead is round and not rough like sand or pumice
- Polyethylene bead for deep, gentle cleaning

Item #	Description	Std Pkg
012-401-P	4 lb 5 oz Hand Scrub Plastic Can	6 ea

Hand Scrub Hand Cleaner - 15 oz



- True scrubbing action instead of a tearing or abrasive cleaning
- Polyethylene bead is round and not rough like sand or pumice
- Polyethylene bead for deep, gentle cleaning

Item #	Description	Std Pkg
012-405	15 oz Hand Scrub Plastic Squeeze Tube	12 ea

Hand Scrub Hand Cleaner - 1 gal



- True scrubbing action instead of a tearing or abrasive cleaning
- Polyethylene bead is round and not rough like sand or pumice
- Polyethylene bead for deep, gentle cleaning

Item #	Description	Std Pkg
012-409	1 gal Hand Scrub Plastic Pail	2 ea

Citrus Blue Hand Cleaner - 3.5 lb



- Formulated with d-Limonene solvent, derived from nature's fruit
- Contains the lanolin, petroleum jelly, and skin emollients
- Keeps the hands and skin pliable and feeling great
- Blue color and fresh citrus scent

Item #	Description	Std Pkg
012-500	3.5 lbs Citrus Blue Hand Citrus Blue w/Hand Pump	6 ea

Citrus Blue Hand Cleaner



- Formulated with d-Limonene solvent, derived from nature's fruit
- Contains the lanolin, petroleum jelly, and skin emollients
- Keeps the hands and skin pliable and feeling great
- Blue color and fresh citrus scent

Item #	Description	Std Pkg
012-501-P	4 lb 5 oz Citrus Blue Plastic Can	6 ea



Citrus Blue Hand Cleaner - 15 oz



- Formulated with d-Limonene solvent, derived from nature's fruit
- Contains the lanolin, petroleum jelly, and skin emollients
- Keeps the hands and skin pliable and feeling great
- Blue color and fresh citrus scent

Item #	Description	Std Pkg
012-505	15 oz Citrus Blue Plastic Squeeze Tube	12 ea

Citrus Blue Hand Cleaner - 1 gal



- Blue color and fresh citrus scent
- Lanolin, petroleum jelly, and skin emollients
- D-Limonene solvent, derived from nature's fruit

Item #	Description	Std Pkg
012-509	1 gal Citrus Blue Plastic Pail	2 ea

Aloe Formula Hand Cleaner



- Formulated to combat the harsh effects of winter on the skin
- Using a cloth or towel is all that is required to clean the hands
- Can be used with or without water equally effectively

Item #	Description	Std Pkg
012-701-P	4 lbs 5 oz Winter Formula with Aloe Vera	6 ea

Aloe Formula Hand Cleaner - 15 oz



- Formulated to combat the harsh effects of winter on the skin
- Using a cloth or towel is all that is required to clean the hands
- Can be used with or without water equally effectively

Item #	Description	Std Pkg
012-705	15 oz Winter Formula with Aloe Vera	12 ea

Hand and Surface Quick Wipes - 70ct



- 70 count
- 9" x 12" wipe
- Cherry scent
- Abrasive on one side
- Smooth side on the other

Item #	Description	Std Pkg
012-704KW	70ct Heavy Duty 9" x 12" Wipes	6 ea

Hand and Surface Quick Wipes - 25ct



- 25 count
- 5.5" x 10.5" wipe
- Cherry scent
- Abrasive on one side
- Smooth side on the other

Item #	Description	Std Pkg
012-704KW-S	25ct Heavy Duty 5.5" x 10.5" Wipes	12 ea

All Purpose Glass Cleaner



- Non-fluorocarbon aerosol spray
- Safe for tinted windows, plastics, lexan and clear coat finishes
- Does not contain ammonia or ozone depleting chemicals, VOC compliant

Item #	Description	Std Pkg
012-203	19 oz All Purpose Glass Cleaner	12 ea

Wall Mount Dispenser - Stainless Steel



- Stainless steel
- For 4.5 lb cans
- Wall mountable
- Will not leak around the pump area

Item #	Description	Std Pkg
012-1310	Dispenser Stainless Steel Wall Mount for 4.5 Cans	1 ea

Plastic Pump



- Two different sizes
- Plastic pump hand dispensers
- Designed to ensure efficient access and uncomplicated use

Item #	Description	Std Pkg
012-301-G	4.5 lbs Dispenser 101P 401P Plastic Pump	1 ea
012-309	Pump for 109 409 & 509 1 gal Pails	1 ea

55 gal Drum Dispensers



- **Fits product numbers:**
106, 406 and 506
- 55 gallon drum dispenser

Item #	Description	Std Pkg
012-366	Dispenser 55 gal Drums	1 ea



MX-Series Impact Gloves



- Hi-Vis orange polyester shell
- TPR reinforced for impact resistance
- Reinforced thumb crotch
- Black sandy nitrile palm
- Form fitting

Item #	Description	Std Pkg
239-MX1185-2X	#11 Mx-Series Impact Glove Hi-Vis Orange	6 pr
239-MX1185-L	#9 Mx-Series Impact Glove Hi-Vis Orange	6 pr
239-MX1185-M	#8 Mx-Series Impact Glove Hi-Vis Orange	6 pr
239-MX1185-S	#7 Mx-Series Impact Glove Hi-Vis Orange	6 pr
239-MX1185-XL	#10 Mx-Series Impact Glove Hi-Vis Orange	6 pr
239-MX209-L	#9 Jester MX-Series Impact Gloves	1 pr
239-MX209-XL	#10 Jester MX-Series Impact Gloves	1 pr



1 gal Red Type 1 Gas



- Self Closing
- 100% Leak-proof Construction
- Leak Proof Lid Provides Safety from Spills
- SS Flame Arrestor to Help Stop Flashback

Item #	Description	Std Pkg
093-10301	1 gal Type1 Safety Gas Can w/Trigger Handle	1 ea

2 gal Red Type 1 Gas



- Self Closing
- 100% Leak-proof Construction
- Leak Proof Lid Provides Safety from Spills
- SS Flame Arrestor to Help Stop Flashback

Item #	Description	Std Pkg
093-7120100	2 gal Type 1 Safety Gas Can	1 ea

2.5 gal Red Type 1 Gas



- Self Closing
- 100% Leak-proof Construction
- Leak Proof Lid Provides Safety from Spills
- SS Flame Arrestor to Help Stop Flashback

Item #	Description	Std Pkg
093-7125100	2.5 gal Type 1 Safety Gas Can	1 ea

5 gal Red Type 1 Gas



- Self Closing
- 100% Leak-proof Construction
- Leak Proof Lid Provides Safety from Spills
- SS Flame Arrestor to Help Stop Flashback

Item #	Description	Std Pkg
093-7150100	5 gal Type 1 Safety Gas Can	1 ea

2 gal Type 1 Safety Can w/Funnel - 7120110



- Color coding avoids accidents
- Self-closing lid controls spills
- Leakproof, auto-venting lid prevents explosion

Item #	Description	Std Pkg
093-7120110	2 gal Type 1 Safety Can w/Funnel	1 ea

2.5 gal Red Type 1 Gas w/ Funnel



- Leak Proof Lid
- 2 Position Attached Funnel
- 100% Leak-proof Construction

Item #	Description	Std Pkg
093-7125110	2.5 gal Type 1 Safety Gas Can w/Funnel	1 ea

5 gal Red Type 1 Gas w/ Funnel



- Leak Proof Lid
- 2 Position Attached Funnel
- 100% Leak-proof Construction

Item #	Description	Std Pkg
093-7150110	5 gal Type 1 Safety Gas Can w/Funnel	1 ea

2.5 gal Yellow Type 1 Diesel



- Self Closing
- Leak-proof Lid
- Flame Arrestor
- Identification Zone to Label Contents

Item #	Description	Std Pkg
093-7125200	2.5 gal Type 1 Diesel Safety Can	1 ea

5 gal Yellow Type 1 Diesel



- Self Closing
- Leak-proof Lid
- Flame Arrestor
- Identification Zone to Label Contents

Item #	Description	Std Pkg
093-7150200	5 gal Type 1 Diesel Safety Can	1 ea

5 gal Type 1 Safety Can w/Funnel - 7150210



- Color coding avoids accidents
- Self-closing lid controls spills
- Leakproof, auto-venting lid prevents explosion

Item #	Description	Std Pkg
093-7150210	5 gal Type 1 Safety Can w/Funnel	1 ea

Yellow Type 2 Diesel w/ Flex Hose



- Attached Flex Hose
- Unique Handle Design
- Stays up when Pouring
- Folds Down w/o Taking Off

Item #	Description	Std Pkg
093-7250220	5 gal Type 2 Diesel Safety Can - 5/8" Flex Hose	1 ea



5 gal Type 2 Safety Can w/Flex Hose - 7250230



- Includes 1" hose
- 1.68" fill/pour hole
- 5 gal Type II

Item #	Description	Std Pkg
093-7250230	5 gal Type 2 Safety Can w/1" Flex Hose	1 ea

2.5 gal Red Type 2 Gas w/ Flex Hose



- Safe-Squeeze trigger for safe and controlled pouring
- Flexible 9-in long metal hose spout
- Tough powder coat resists chemicals

Item #	Description	Std Pkg
093-7225120	2.5 gal Type 2 Safety Gas Can - 5/8" Flex Hose	1 ea

5 gal Red Type 2 Gas w/ 5/8" Flex Hose



- Safe-Squeeze trigger for safe and controlled pouring
- Flexible 9-in long metal hose spout
- Tough powder coat resists chemicals

Item #	Description	Std Pkg
093-7250120	5 gal Type 2 Safety Gas Can - 5/8" Flex Hose	1 ea

5 gal Red Type 2 Gas w/ 1" Flex Hose



- Safe-Squeeze trigger for safe and controlled pouring
- Flexible 9-in long metal hose spout
- Tough powder coat resists chemicals
- Larger 1 inch diameter Flex Hose

Item #	Description	Std Pkg
093-7250130	5 gal Type 2 Safety Gas Can - 1" Flex Hose	1 ea

Hose



- Flexible Extension for Justrite Type II Safety Cans
- 5/8 inch diameter and 9 inch length

Item #	Description	Std Pkg
093-11078	5/8" OD Type 2 Flex Hose	1 ea

Funnel Bolt-On



- Bolt-On funnel with galvanized hose
- A large rounded bowl provides protection from splashing
- 1 inch diameter and 10 inches length

Item #	Description	Std Pkg
093-11089	Funnel Bolt-On 1" x 10" Flex Hose	1 ea

Funnel Poly-Pour



- Polyethylene funnel for use with Type I Metal Safety Cans
- Easy to fill, Easy to pour
- Easily attached and detached from safety can

Item #	Description	Std Pkg
093-11202Y	Funnel Poly-Pour for Type 1 Cans	1 ea

Antistatic Insulated Wire for Bonding/Grounding



- Flex Wire
- 7 Strand Aircraft Cable .25" Diameter
- Prevents sparks from static electricity

Item #	Description	Std Pkg
093-08497	1/4" x 10' Wire Clamp	1 ea

Smoking Receptacle



- 4 gal Capacity
- Twist off lid for easy cleanup
- Inside galvanized steel liner pail
- Won't rust, dent, crack, peel, or leave a ring
- Used for indoor/outdoor

Item #	Description	Std Pkg
093-26800B	Smokers Butt-Can Receptacle Adobe Beige Color	1 ea



Chrome Series - PG1025



- Belt clip
- True zero hook
- Bumper cushion
- Textured rubber grip
- Positive locking button

Item #	Description	Std Pkg
098-PG1025	1" X 25' Chrome Rubber Grip Engineer Tape	6 ea

Chrome Series - PG1825



- Belt clip
- Bumper cushion
- True zero hook
- Positive locking button

Item #	Description	Std Pkg
098-PG1825	1" X 25' Chrome Rubber Grip Standard Tape	6 ea



Chrome Series - PG1830



- Belt clip
- Bumper cushion
- True zero hook
- Positive locking button

Item #	Description	Std Pkg
098-PG1830	1" X 30' Chrome Rubber Grip Standard Tape	6 ea

Chrome Series - Magnetic Tip



- Belt clip
- Bumper cushion
- Positive locking button
- Magnetic true zero hook

Item #	Description	Std Pkg
098-PG1825VMAG	1"x 25' Tape Measure w/Magnetic Tip	6 ea

Wide Blade Tape Measure



- 1-3/16" Wide Blade
- Nylon Coated Steel Blade
- Easy-to-Read Graduations
- True Zero Hook
- Positive Locking Button

Item #	Description	Std Pkg
098-PG1825WIDEV	1-3/16" x 25' Wide Blade Tape Measure	6 ea

Wide Blade Tape Measure - PG181025WIDEV



- 1-3/16" Wide Blade
- Nylon Coated Steel Blade
- Easy-to-Read Graduations
- True Zero Hook
- Positive Locking Button

Item #	Description	Std Pkg
098-PG181025WIDEV	1-3/16"x25' Wide Blade Engineer Tape Measure	6 ea

Economy Series - PG25



- Belt clip
- Side brake
- True zero hook
- Positive locking button

Item #	Description	Std Pkg
098-PG25	1" X 25' Black & Orange Economy Tape	6 ea

Economy Series - PG2510



- Side brake
- True zero hook
- Bumper cushion
- Positive locking button
- Co-molded plastic housing

Item #	Description	Std Pkg
098-PG2510	1" X 25' Black & Orange Economy Engineer Tape	24 ea

ST Series - ST5010



- True zero hook
- Black metal case
- Closed, metal housing
- Flush fold crank handle
- Bright yellow steel blade

Item #	Description	Std Pkg
098-ST5010	3/8" x 50' Steel Engineer Tape	6 ea

MC Series - MC1050



- Hook end
- 1/2" wide blade
- Black metal case
- Closed, metal housing
- Fiberglass white blade

Item #	Description	Std Pkg
098-MC1050	1/2" X 50' Metal Case Fiberglass Engineer Tape	5 ea

OTR Series - OTR1050



- Fiberglass blade
- Folding end hook
- Tough, molded handle
- Reinforced crank handle
- Orange cross-arm open reel
- Double-throat rollers guide the blade

Item #	Description	Std Pkg
098-OTR1050	1/2" X 50' Fiberglass Engineer Tape	5 ea

OTR Series - OTR10100



- Fiberglass blade
- Folding end hook
- Tough, molded handle
- Reinforced crank handle
- Orange cross-arm open reel
- Double-throat rollers guide the blade

Item #	Description	Std Pkg
098-OTR10100	1/2" X100' Fiberglass Engineer Tape	5 ea

Orange Braided Mason Twine



- 18 Gauge Line
- Braided Twine
- Length: 250 ft.
- Color: Orange
- 155 lb Tensile Strength

Item #	Description	Std Pkg
098-OB250	250' x 18 Gauge Orange Braided Mason Twine	12 ea
098-OB500	500' x 18 Gauge Orange Braided Mason Twine	12 ea



Steel Frame Measuring Wheel



- Color: Orange
- 15.5" wheel diameter
- Center-aligned handle
- Barrel clamp handle lock
- Foldable or retractable handle
- Measuring range to 99,999 ft.
- Clicker Counter w/ 3/8" H numbers

Item #	Description	Std Pkg
098-MP401	15-1/2" Measuring Wheel w/Steel Frame	1 ea



Diagonal Cutting Pliers - D209-4C



- Sharp pointed nose
- Spring-loaded for self-opening action
- Short jaws and beveled cutting edges
- Induction-hardened cutting knives for long life
- Plastic-dipped handles

Item #	Description	Std Pkg
235-D209-4C	4" Midget Diagonal Cutting Pliers	1 ea

Diagonal-Cutting Plier - Tapered Nose



- Tapered nose
- Hot-riveted joint
- Short jaws and beveled cutting edges

Item #	Description	Std Pkg
235-D202-6C	6" Plier Standard Diagonal-Cutter Tapered Nose	6 ea
235-D245-5	5" Plier Standard Diagonal-Cutters Tapered Nose	6 ea

HD Diagonal-Cutting Plier - All Purpose



- Plastic dipped handles for comfort and identification ease
- Hot-riveted joint and no handle wobble
- Induction hardened cutting knives for long life
- Heavy design for all-purpose use

Item #	Description	Std Pkg
235-D252-6	6" Plier Diagonal-Cutter All Purpose	6 ea

Hi-Leverage Side Cutting Plier



- High-leverage design
- Plastic dipped handles
- Induction hardened cutting knives
- Cuts ACSR, screws, nails and most hardened wire

Item #	Description	Std Pkg
235-D2000-9NE	9-1/2" Hi-Leverage Side Cutting Plier	6 ea

HD Hi-Leverage Diagonal-Cutting Plier



- High-leverage design
- Plastic dipped handles
- Short jaws and beveled cutting edges
- Cuts ACSR, screws, nails and most hardened wire

Item #	Description	Std Pkg
235-D2000-28	8" Plier Hi-Leverage Heavy Duty Diagonal Cutter	6 ea
235-D2000-48	8" Plier Heavy Duty Hi-Leverage Diagonal Cutter	6 ea

9" HD Side Cutting Pliers - J2000-9NE



- High-leverage design
- Soft material grip handles
- Polished and black-oxide finish
- Cuts ACSR, screws, nails and most hardened wire

Item #	Description	Std Pkg
235-J2000-9NE	9-1/2" Hi-Leverage HD Side-Cutter Plier	1 ea

High-Leverage Diagonal Cutting Plier



- Plastic-dipped handles for comfort and identification ease
- Hot-riveted joint and no handle wobble
- Induction hardened cutting knives for long life
- High leverage design with rivet closer to the cutting edge

Item #	Description	Std Pkg
235-D228-7	7" Plier Hi-Leverage -Diagonal Cutting	6 ea
235-D228-8	8" Plier Hi-Leverage Diagonal Cutting	6 ea

High-Leverage Diagonal Cutting Plier - Angled Head



- Angled head design for easy work in confined spaces
- Hot-riveted joint and no handle wobble
- Induction hardened cutting knives for long life
- High leverage design with rivet closer to the cutting edge

Item #	Description	Std Pkg
235-D248-8	8" Plier Hi-Leverage Diagonal - Cutter Taper Nose	6 ea

High-Leverage Diagonal Cutting Plier - Ironworkers



- Angled head design for easy work in confined spaces
- High leverage design with rivet closer to the cutting edge
- Hooked handle for improved grip

Item #	Description	Std Pkg
235-D248-9ST	9" Plier Hi-leverage Diagonal-Cutter Ironworkers	6 ea



Flush Cutter Plier



- Shears wire up to 18 AWG producing a flat, flush cut
- Heat treated and ultra slim profile increases access in confined areas
- Cushioned grips and steel return spring for increased comfort during repetitive cutting

Item #	Description	Std Pkg
235-D275-5	5" Plier Flush Cutter Shear Lightweight	6 ea

Side Cutter Plier - Long Nose



- Induction hardened, long lasting cutting knives
- Knurled jaws for sure wrapping and looping
- Curved handles provide greater tool control

Item #	Description	Std Pkg
235-D203-6	6-5/8" Plier Standard Long-Nose Side-Cutter	6 ea
235-D203-7	7" Plier Long-Nose Side-Cutter	6 ea

Side Cutter Plier - Long Nose



- Induction hardened, long lasting cutting knives
- Heavier design for greater cutting power
- Extended handles provide added reach and leverage

Item #	Description	Std Pkg
235-D203-8	8-7/16" Plier HD Long-Nose Side-Cutter	6 ea

Side Cutter Plier - HD Long-Nose



- Induction hardened, long lasting cutting knives
- Heavier design for greater cutting power
- Extended handles provide added reach and leverage

Item #	Description	Std Pkg
235-D203-8NCR	8-7/16" Plier Heavy Duty Long- Nose Side-Cutter & Wire Stripper	6 ea

Midget Plier - Long Nose



- Spring-loaded for self-opening action
- Polished inside jaws help prevent nicking wire
- Jaw width tapers to narrow flat tip for sure gripping in confined areas

Item #	Description	Std Pkg
235-D322-41/2C	4-1/2" Plier Midget Flat Long Nose	6 ea

Side-Cutting Plier - Hi-Leverage/NE Style



- Streamlined design with rounded nose and sure-gripping cross-hatched knurled jaw
- Hinge opening holds and cleans 5/8" pole line and hardware bolts or threaded rods
- High-leverage design with rivet closer to the cutting edge

Item #	Description	Std Pkg
235-D2000-9NETH	9-3/8" Plier Hi-Leverage NE Style	6 ea

Side-Cutting Plier - Hi-Leverage/Ironworkers



- Hook bend handle and heavy-duty knurled jaws
- Twists and cuts soft annealed rebar tie wire
- Spring-loaded action for self-opening
- High leverage design with rivet closer to the cutting edge

Item #	Description	Std Pkg
235-D2000-9ST	9-3/8" Plier Heavy Duty Hi-Leverage Ironworkers Dipped Handle w/Cutting Knives	6 ea

Side-Cutting Plier - Hi-Leverage/Ironworkers/Dipped



- Hook bend handle and heavy-duty knurled jaws
- Twists and cuts soft annealed rebar tie wire
- Spring-loaded action for self-opening
- High leverage design with rivet closer to the cutting edge

Item #	Description	Std Pkg
235-D213-9ST	9-3/8" Plier Hi-Leverage Ironworkers Dipped Handles	6 ea

Side-Cutting Plier - Hi-Leverage/Ironworkers/Non-Dipped



- Hook bend handle and heavy-duty knurled jaws
- Twists and cuts soft annealed rebar tie wire
- Spring-loaded action for self-opening
- High leverage design with rivet closer to the cutting edge

Item #	Description	Std Pkg
235-213-9ST	9-3/8" Plier Hi-Leverage Ironworkers	6 ea

Side-Cutting Plier - Ironworkers/HD Cutting



- Hook bend handle and heavy-duty knurled jaws
- Twists and cuts soft annealed rebar tie wire
- Spring-loaded action for self-opening

Item #	Description	Std Pkg
235-D2000-7CST	9-1/4" Plier Square Nose Ironworker	6 ea



Side-Cutting Plier - Ironworkers



- Hook bend handle and heavy-duty knurled jaws
- Twists and cuts soft annealed rebar tie wire
- Spring-loaded action for self-opening

Item #	Description	Std Pkg
235-D201-7CST	9-1/8" Plier Square Nose Ironworkers w/Dipped Handles	6 ea

Side Cutter Plier



- Unique handle tempering help absorbs the "snap" when cutting wire
- "Handform" handles for full gripping and cutting power
- Induction hardened cutting knives and sure-gripping cross-hatched knurled jaws

Item #	Description	Std Pkg
235-D201-8	8" Side Cutting Plier	6 ea
235-D201-9NE	9-3/8" Plier NE Style Side Cutting	1 ea

Side Cutter Plier - Hi-Leverage



- Unique handle tempering help absorbs the "snap" when cutting wire
- High-leverage design with rivet closer to the cutting edge
- Induction hardened cutting knives and sure-gripping cross-hatched knurled jaws

Item #	Description	Std Pkg
235-D213-9NE	9-3/8" Plier Hi-Leverage Side Cutting	6 ea

Side Cutter Plier - HD Hi-Leverage



- Unique handle tempering help absorbs the "snap" when cutting wire
- High-leverage design with rivet closer to the cutting edge
- Induction hardened cutting knives and sure-gripping cross-hatched knurled jaws

Item #	Description	Std Pkg
235-HD213-9NE	9-1/4" Plier Heavy Duty Hi-Leverage Side Cutting	6 ea

Pump Plier



- Wide range of versatile jaw positions
- Secure tongue and groove design for non-slip grip

Item #	Description	Std Pkg
235-D502-10	10" Plier Pump Style	6 ea

16" Pump Pliers



- Wide range of versatile jaw positions
- Secure tongue and groove design for non-slip grip
- 16 inches in length

Item #	Description	Std Pkg
235-D502-16	16" Pump Style Pliers	4 ea

9-3/4" Multi-Purpose Electricians Pliers



- Cleanly shears bolts and wire-looping holes near tip
- Pivot nut adjusts tension and full-sized, plastic-covered cushion handles
- Crimps 7-8 mm auto ignition terminals
- Color coded crimping dies for both insulated and non-insulated terminals

Item #	Description	Std Pkg
235-1001	9-3/4" Multi-Purpose Electricians Tool	3 ea

8-1/4" Multi-Purpose Electricians Pliers



- Easily cuts and strips wire with long, curved cutting blade
- Crimps insulated and non-insulated terminals and 7 to 8 mm ignition terminals
- Cleanly shears bolts with plastic-covered cushioned handles for comfort

Item #	Description	Std Pkg
235-1010	8-1/4" Long-Nose Multi-Purpose Electricians Tool	3 ea

Crimping/Cutting Plier



- Specially hardened wire cutter in nose
- Tapered nose design for working in confined spaces
- Hot-riveted joint for smooth action and no handle wobble
- Crimping die marked for insulated and non-insulated solderless terminals and connectors

Item #	Description	Std Pkg
235-1005	9-3/4" Crimping/Cutting Tool	6 ea

Crimping/Cutting Plier



- Specially hardened wire cutter in nose
- Tapered nose for working in confined spaces
- Plastic-dipped cushioned handles for comfort
- Designed for insulated and non-insulated solderless terminals and connectors

Item #	Description	Std Pkg
235-1006	9-3/4" Crimping/Cutting Tool	6 ea



Journeyman Crimping/Cutting Plier



- Specially hardened cutter and contoured thumb area
- Tapered nose for working in confined spaces
- Hot-riveted joint ensures smooth action and no handle wobble
- Designed to crimp insulated and non-insulated solderless terminals and connectors

Item #	Description	Std Pkg
235-J1005	9-3/4" Journeyman Crimping Tool 10-22 AWG	6 ea

Wire Stripper/Cutter-Solid & Stranded



- Strips six standard wire sizes without nicking wire
- Spring-loaded for self-opening action
- Serrated nose jaws to bend, shape or pull wire
- Holes for looping wire ends

Item #	Description	Std Pkg
235-1011	6-1/8" Wire Strippers-Cutter 10-20 AWG	6 ea

Wire Stripper/Cutter-Solid



- Compact, lightweight wire-stripping and cutting tools
- Hardened steel with precision ground stripping holes
- Narrow nose fits into tight spaces
- Do NOT use for cutting steel wire or bolts

Item #	Description	Std Pkg
235-11045	6-1/4" Wire Stripper-Cutter 10-15 AWG Solid	6 ea

Wire Stripper/Cutter-Stranded



- Compact, lightweight wire-stripping and cutting tools
- Hardened steel with precision ground stripping holes
- Narrow nose fits into tight spaces
- Do NOT use for cutting steel wire or bolts

Item #	Description	Std Pkg
235-11046	6-1/4" Wire Stripper-Cutter 16-26 AWG	6 ea

Kurve Wire Stripper/Cutters



- Easy- to-read markings
- Precision shear-type blades
- Cleanly shears 6-32 and 8-32 screws

Item #	Description	Std Pkg
235-11055	7-1/8" Curve Wire Stripper-Cutter 10-18 AWG	6 ea
235-11057	7-1/8" Curve Wire Stripper-Cutter 20-30 AWG	3 ea

Katapult Wire Stripper/Cutter



- No nicking, cutting, or fraying wire
- Release pressure and jaws automatically open to release stripped wire
- Wire is automatically gripped and stripped with the same motion

Item #	Description	Std Pkg
235-11063W	6.6" Katapult Wire/Stripper w/Cutting Blades	3 ea

Klein-Kurve Wire Stripper/Cutter



- Strong-gripping serrated nose
- Precision ground stripping holes
- Holes for looping and bending wire
- Coil spring provides fast self-opening action
- Strips, cuts and gauges 6-12 AWG stranded wire

Item #	Description	Std Pkg
235-11053	6-1/8" Kurve Wire Stripper-cutter 6-14 AWG Solid	6 ea

6-1/4" Wire Stripper/Cutter



- Compact, lightweight wire-stripping and cutting tools
- Narrow nose fits into tight places
- Hardened steel with precision ground stripping holes
- Not for use of cutting steel wire or bolts

Item #	Description	Std Pkg
235-11047	6-1/4" Wire Stripper/Cutter 22-30 AWG	6 ea

Free-Fall Snip Stainless Steel



- Extended handle
- Stainless steel blades
- Free-fall snip feature for ease of use
- Blade is fully serrated for non-slip cutting action
- Cuts electrical communication 19 AWG and 23 AWG wire

Item #	Description	Std Pkg
235-2100-8	6" Free-fall Scissors W/ Strip Notches	6 ea

Cabinet-Tip Round Shank Screwdriver



- Narrow cabinet-tip permits blade access where space is limited
- Special heat treated shank with a precision-machined tip
- Patented Tip-Ident® quickly identifies the type of screwdriver and screwdriver tip orientation

Item #	Description	Std Pkg
235-601-3	3/16" x 3" Screwdriver Slotted Cabinet Tip	6 ea
235-601-4	3/16" x 4" Screwdriver Slotted Cabinet Tip	4 ea
235-601-6	3/16" x 6" Screwdriver Slotted Cabinet Tip	4 ea
235-601-8	3/16" x 8" Screwdriver Slotted Cabinet Tip	4 ea
235-605-4	1/4" x 4" Screwdriver Slotted Cabinet Tip	6 ea
235-605-6	1/4" x 6" Screwdriver Slotted Cabinet Tip	6 ea



Keystone-Tip HD Round Shank Screwdriver



- Hex bolster reinforces shank for hard use and allows wrench assisted turning
- Special heat treated shank with a precision-machined tip
- Patented Tip-Ident® quickly identifies the type of screwdriver and screwdriver tip orientation

Item #	Description	Std Pkg
235-602-12	3/8" x 12" Screwdriver Slotted Round Shank	6 ea
235-602-4	1/4" x 4" Screwdriver Slotted Round Shank	6 ea
235-602-6	5/16" x 6" Screwdriver Slotted Round Shank	6 ea
235-602-8	#1 x 8" Phillips Screwdriver Round Shank	6 ea

Keystone-Tip Square Shank Screwdriver



- Oversized handle is larger than comparable screwdrivers handles
- Delivers extra power to perform tough jobs with minimum effort
- Nickel-chrome, precision forged and polished blades with black tips

Item #	Description	Std Pkg
235-600-4	1/4" x 4" Screwdriver Slotted Square Shank	4 ea
235-600-6	5/16" x 6" Screwdriver Slotted Square Shank	4 ea
235-600-8	3/8" x 8" Screwdriver Slotted Square Shank	6 ea

Phillips-Tip Round Shank Screwdriver



- Provides accurate fit and torque without slippage
- Special heat treated shank with a precision-machined tip
- Patented Tip-Ident® quickly identifies the type of screwdriver and screwdriver tip orientation

Item #	Description	Std Pkg
235-603-10	#2 x 10" Phillips Screwdriver Round Shank	6 ea
235-603-3	#1 x 3" Phillips Screwdriver Round Shank	4 ea
235-603-4	#2 x 4" Phillips Screwdriver Round Shank	4 ea
235-603-6	#3 x 6" Phillips Screwdriver Round Shank	6 ea

Profiled Phillips-Tip Round Shank Screwdriver



- Oversized handle is larger than comparable screwdrivers handles
- Delivers extra power to perform tough jobs with minimum effort
- Nickel-chrome, precision forged and polished blades with black tips

Item #	Description	Std Pkg
235-BD122	#2 Phillips Screwdriver Bull Driver	6 ea

Keystone-Tip Square Shank Screwdriver - BD



- Oversized handle
- Nickel-chrome polished blades with black tips
- Tough amber, smooth Comfordome handle

Item #	Description	Std Pkg
235-BD284	1/4" x 4" Screwdriver Keystone Bull Driver	6 ea
235-BD412	3/8" x 12" Screwdriver Keystone Bull Driver	6 ea

10-in-1 Screwdriver/ Nut Driver



- Contains 5/16" and 1/4" nut drivers
- 1/4" and 3/16" slotted
- #10 and #15 TORX
- #1 and #2 Phillips & #1 and #2 square-recess

Item #	Description	Std Pkg
235-32477	10-in-1 Screwdriver/Nut Driver Cushion-Grip	6 ea

11-in-1 Screwdriver/ Nut Driver



- Contains 3/8", 5/16" and 1/4" nut drivers
- 1/4" and 3/16" slotted
- #10 and #15 TORX
- #1 and #2 Phillips & #1 and #2 square-recess

Item #	Description	Std Pkg
235-32500	11-in-1 Screwdriver/Nut Runner	6 ea

Magnetic Screwdriver w/ 32 Pc. Bit Set



- TORX: T7, T8, T10, T15, T20, T25, T27, T30, T40
- Fraction Hex: 3/32", 7/64", 1/8", 9/64", 5/32", 3/16"
- Metric Hex: 2, 2.5, 3, 4, 5 mm
- Spanner: 4, 6, 8, 10
- Tri-Wing: 1, 2, 3, 4
- TORQ-Set: 6, 8, 10
- 1/4" square to 1/4" hex adapter to drive sockets

Item #	Description	Std Pkg
235-32510	32 pc Screwdriver Magnetic Non-Ratcheting Set	3 ea

4 pc Mini Cushion-Grip Screwdriver Set



- #0 Phillips
- 1/16" Keystone
- 3/32" and 1/8" Cabinet

Item #	Description	Std Pkg
235-85484	4 pc Mini-Screwdriver Set	3 ea



5 Pc Screwdriver Set



- Premium chrome-plated
- Precision-machined tip for exact fit
- Tip-Ident® quickly identifies the screwdriver type
- Cushion-Grip handle for greater torque and comfort

Item #	Description	Std Pkg
235-85075	5 pc Screwdriver Set Slot/Phillips Cush Grip	6 ea

6 Pc Screwdriver Set



- 1 each Cabinet tip
- 2 each Keystone tip
- 3 each Phillips tip

Item #	Description	Std Pkg
235-85074	6 pc Screwdriver Set w/Cush-Grip Slot/Phillips	6 ea

7 Pc Screwdriver Set



- 3 each Cabinet tip
- 2 each Phillips tip
- 2 each keystone tip

Item #	Description	Std Pkg
235-85076	7 pc Screwdriver Set Cush-Grip	6 ea

8 Pc Screwdriver Set



- 2 each Cabinet tip
- 2 each Keystone tip
- 4 each Phillips tip

Item #	Description	Std Pkg
235-85078	8 pc Screwdriver Set Cush Grip	6 ea

5 pc Electronics Screwdriver Set



- Cushion-Grip handles
- Professional custom carrying case included
- Rotating caps for optimum and precise control
- Color-coded rings and hot stamped cap markings

Item #	Description	Std Pkg
235-85614	5 pc Electronic Screwdriver Set	1 ea

Hollow Shaft Nut Driver - 3" Shank



- Standard length for most applications
- Fits over long bolts and studs
- Premium chrome plated for smooth feel and corrosion resistance

Item #	Description	Std Pkg
235-630-1/2	1/2" x 3" Nut Driver Hollow Shaft Cush-Grip	4 ea
235-630-1/4	1/4" x 3" Nut Driver Hollow Shaft Cush-Grip	4 ea
235-630-3/16	3/16" x 3" Nut Driver Hollow Shaft Cush-Grip	6 ea
235-630-3/8	3/8" x 3" Nut Driver Hollow Shaft Cush-Grip	4 ea
235-630-5/16	5/16" x 3" Nut Driver Hollow Shaft Cush-Grip	4 ea
235-630-7/16	7/16" x 3" Nut Driver Hollow Shaft Cush-Grip	4 ea
235-630-9/16	9/16" x 4" Nut Driver Hollow Shaft Cush-Grip	6 ea

7 Pc Nut Driver Set - 3" Shank



- 7 of the most popular sizes
- Cushion grip handles
- Internal flanges provides solid twist resistant shaft
- Hollow shaft for long bolt or stud applications

Item #	Description	Std Pkg
235-631	7pc Nut Driver Set 3" Hollow Shaft Cush-Grip	6 ea

Cushion-Grip Scratch Awl



- Professional, heavy-duty, hard-pointed awl
- Scribes metal, starts screw holes, and performs a variety of piercing and punching jobs
- Rigid, chrome-plated, heat-treated, and tempered-steel shank

Item #	Description	Std Pkg
235-650	7-7/8" Scratch Awl Cush-Grip Blade 3-1/2"	6 ea

#11 Step Drill Bit



- Two hole sizes
- Thick 3/8-Inch hex shank
- Fast-starting, non-walking drill tip
- Two flutes cut faster and keep bit cooler
- High-visibility silver targets for primary hole sizes

Item #	Description	Std Pkg
235-KTSB11	#11 Step Drill Bit Double Fluted 7/8"-1-1/8"	1 ea

Haven Grip



- Designed to use when a lightweight grip is desired
- To be use when conductor damage is not a factor

Item #	Description	Std Pkg
235-1604-10	.06"-.25" Haven Grip Messenger & Guy Strand	6 ea
235-1604-20	.125"-.50" Haven Grip Steel Strand	3 ea



Haven Grip w/ Latch



- Designed for use when light, compact grip is desired
- Gripping pressure of knurled jaw is applied to 1/4" cable area
- Swing latch to help hold cable in the jaw

Item #	Description	Std Pkg
235-1604-20L	.125"-.50" Haven Grip Steel Strand w/Latch	3 ea

Haven Grip Wire Rope



- Designed for use when light, compact grip is desired
- Gripping pressure of knurled jaw is applied to 1/4" cable area
- Swing latch to help hold cable in the jaw

Item #	Description	Std Pkg
235-1625-20	.28"-.75" Havens Grip Wire Rope	2 ea

Chicago Grip - Bare Wire



- Single "V" groove jaw for solid & standard bare wire
- Wire size is .08" to .20"
- Very cost-effective

Item #	Description	Std Pkg
235-1613-30	Chicago Grip for Bare Wire	3 ea

Chicago Grip - Extra High-Strength Cables



- Double "V" groove
- Four point contact
- Calibration range is 0.12" to 0.37"

Item #	Description	Std Pkg
235-1613-40	Chicago Grip for Extra High Strength Cables	2 ea

1/8" Wide Steel Fish Tape



- Raised finger grips
- Full grip style handle
- Polypropylene case and handle
- Laser etched markings in 1-foot increments

Item #	Description	Std Pkg
235-56003	125' Fish Tape .062 Flat Steel	1 ea

Adjustable Spud Wrench



- Versatile wrench fits up to 1-5/16-Inch (33 mm)
- (11-inch total length) with a continuous-taper handle (8-inch)
- Precision-machined jaws

Item #	Description	Std Pkg
235-3227	1-5/16" x 11" Adjustable Spud Wrench	3 ea

Erection Wrench



- Forged from select alloy steel to withstand high-leverage and heavy loads
- Extra-heavy duty head area for maximum strength and durability
- Continuous taper of handle makes lining-up bolt holes easy

Item #	Description	Std Pkg
235-3210	1/2" Bolt Erection Wrench with 7/8" width	3 ea
235-3211	5/8" Bolt Erection Wrench Ex-Heavy Duty	3 ea
235-3212	3/4" Bolt Erection Wrench Ex-Heavy Duty	3 ea
235-3213	7/8" Bolt Erection Wrench Ex-Heavy Duty	3 ea
235-3214	1" Bolt Erection Wrench Ex-Heavy Duty	3 ea
235-3222	3/4" x 16-5/8" Wrench Erection Ex-Heavy Duty	3 ea

Adjustable-Head Construction Wrench



- Versatile wrench fits nuts and bolts to 1-1/2"
- Forged from select alloy steel with continuous-taper handle
- Industrial black finish for corrosion resistance

Item #	Description	Std Pkg
235-3239	1-1/2" x 16" Adjustable-Spud Construction Wrench	3 ea

Ratcheting Construction Wrench



- Reversible ratchet that accepts 1/2" square-drive hex socket
- Forged from select alloy steel with continuous taper handle
- Industrial black finish for corrosion resistance

Item #	Description	Std Pkg
235-3238	1/2" Drive Ratcheting Construction Wrench	6 ea

Extra-Wide Jaw Adjustable Wrench



- 1-1/2" Extra-wide jaw
- Wide comfortable handle
- Standard and metric sizes marked

Item #	Description	Std Pkg
235-D509-8	8" Adjustable Wrench Extra-Wide Jaw	6 ea

Grip-It Strap Wrench



- Completely adjustable strap wrench
- Works in the tightest quarters
- Cam-action design permits uniform, high-torque application
- Urethane-covered, high-strength belting attached to lightweight, I-beam handle

Item #	Description	Std Pkg
235-S-12H	12" Grip-It Strap Wrench	6 ea



Connecting Hex Bar



- Forged fit-up bar is pointed on one end
- Chisel-end is at a 15° angle to give greater leverage
- Provides extra leverage when positioning steel members and aligning bolt holes

Item #	Description	Std Pkg
235-3242	3/4" x 30" Bar Connecting Hex 15° Angle	1 ea
235-3244	3/4" x 24" Bar Connecting Hex 15° Angle	1 ea

Round Pry Bar



- Forged fit-up bar is pointed on one end
- Chisel-end is at a 15° angle to give greater leverage
- Provides extra leverage when positioning steel members and aligning bolt holes

Item #	Description	Std Pkg
235-3245	3/4" x 30" Round Pry Bar 15% Chisel End	1 ea
235-3246	7/8" x 36" Round Pry Bar 15% Chisel End	1 ea
235-3247	3-4" x 24" Round Pry Bar 15% Chisel End	1 ea
235-3248	7/8" x 30" Round Pry Bar 15% Chisel End	1 ea

Standard Bull Pin



- Machine quality alloy steel
- Heat-treated for strength and black finish for rust resistance
- Standard design offers greater initial economy but no added protection against mushrooming

Item #	Description	Std Pkg
235-3252	7/16" x 1-3/16" x 15" Bull Pin Standard	3 ea
235-3257	3/8" x 1-1/16" x 12" Bull Pin Standard	3 ea
235-3258	7/16" x 1-3/16" x 12" Bull Pin Standard	3 ea
235-3259	7/16" x 1-1/4" Bull Pin Standard	3 ea

Broad Head Bull Pin



- Heat-treated for strength
- Black finish for rust resistance
- Long, even taper reduces binding and hang-up

Item #	Description	Std Pkg
235-3255	5/16" x 1-1/4" Bull Pin Broad Head	1 ea
235-3256	1/4" x 1-1/16" Bull Pin Broad Head	3 ea

Broad Head Bull Pin - Tethered



- Forged, heat-treated bull pin
- Reduces chance of pin slipping when aligning holes
- Angled head and smooth blending of radii increase strength and reduce the danger of chipping

Item #	Description	Std Pkg
235-3255TT	5/16" X 1-1/4" Tethered Bull Pin Broad Head	3 ea
235-3256TT	1/4" X 1-1/16" Tethered Bull Pin Broad Head	3 ea

Lockback Pocket Knife



- Blades are AUS 8 stainless steel hardened to 58-59 Rc
- Premium quality blade offers superior edge holding
- Black anodized-aluminum handle for corrosion-resistance

Item #	Description	Std Pkg
235-44000-BLK	2-1/4" Pocket Knife SS Blade Lockback	6 ea

Lockback Pocket Knife w/ Belt Clip



- Blades are AUS 8 stainless steel hardened to 58-59 Rc
- Premium quality blade offers superior edge holding
- Silver anodized-aluminum handle for corrosion-resistance

Item #	Description	Std Pkg
235-44001	2-1/2" Pocket Knife Lockback Drop Point Blade	6 ea

Retractable Blade Utility Knife



- Accepts most standard blades and includes 3 blades
- Double-ended, reversible blade retracts fully
- Top button moves heavy-duty, razor-edged blade to any of three cutting positions

Item #	Description	Std Pkg
235-44100	6" Knife Standard Utility Top Button Slide	6 ea

Auto-Loading Utility Knife



- Auto-loading blade feature for faster and safer blade changes
- Quick release button for easy blade change
- Internal blade storage includes and holds 3 blades

Item #	Description	Std Pkg
235-44130	4-1/4" Knife Folding Utility Auto-Loading	6 ea

Folding Utility Knife



- Contains a wire stripping notch
- High quality, triple ground blades stay sharp longer
- Push button to easily open and close

Item #	Description	Std Pkg
235-44131	4-1/4" Knife Folding Utility	6 ea



Serrated Duct Knife



- Cuts duct board and flexible duct
- Puncture resistant nylon sheath with belt loop
- Double-edged knife-regular and serrated

Item #	Description	Std Pkg
235-DK06	5-1/2" Knife Duct w/Serrated Edge	6 ea

Utility Knife Blade Dispenser



- 50 blades included
- High quality, triple ground blades stay sharp longer
- Gauge on dispenser indicates blades remaining
- Convenient interim storage for used blades
- Blades are compatible with all standard utility knives

Item #	Description	Std Pkg
235-44103	HD Utility Knife Blades 50 Dispenser Pack	6 ea

Dual Laser Infrared Thermometer



- Features include dual-laser targeting; auto-scan; max/min/avg/diff; high/low alarm; backlit display; auto power-off
- Measurement Range: -22° to 752°F (-30° to 400°C)
- Drop protection to 6.6 ft. (2 m) and Optical Resolution (Distance-to-spot) is 12:1
- Uses one 9-volt battery, with battery life expectancy at 10 hours of continuous use with laser and backlight on

Item #	Description	Std Pkg
235-IR5	Dual-laser Infrared Thermometer	1 ea

Dual Laser Infrared Thermometer



- Auto-scan
- Emissivity: .10 to 1
- Temp. range: -76° to 1022°F
- Max / Min /Average / Differential
- Tight (12:1) distance-to-spot ratio
- Dual lasers for specific measurement areas

Item #	Description	Std Pkg
235-IR2000A	Infrared Thermometer 12:1 Optical Resolution	1 ea

Digital Multimeter



- Low battery indicator
- Built to withstand a 3.3-foot drop
- Includes test leads and batteries
- Measures up to 600V AC/DC voltage
- Tests batteries, diodes and continuity

Item #	Description	Std Pkg
235-MM300	600V Digital Multimeter Manual-Ranging AC/DC	1 ea

Traditional Canvas Tool Bag



- Moisture-resistant
- No. 8 natural canvas
- Steel-frame mouth with hinge
- Stitched and riveted leather handles

Item #	Description	Std Pkg
235-5102-12	12" #8 Canvas Tool Bag	1 ea
235-5102-14	14" #8 Canvas Tool Bag	1 ea
235-5102-16	16" #8 Canvas Tool Bag	1 ea
235-5102-18	18" #8 Canvas Tool Bag	1 ea
235-5102-20	20" #8 Canvas Tool Bag	1 ea
235-5102-24	24" #8 Canvas Tool Bag	1 ea

Canvas Zipper Bag



- 7" x 12-1/2"
- No. 10 canvas bag
- Heavy duty brass zipper

Item #	Description	Std Pkg
235-5139	12.5" #10 Canvas Zipper Bag	6 ea

Canvas Bull Pin & Bolt Bag



- No. 4 canvas
- Double thick bottom
- Bolt bag with bull-pin loop on each side

Item #	Description	Std Pkg
235-5416	#4 Canvas Bull Pin/Tool Bag w/Loops	1 ea

Leather Bull Pin & Bolt Bag w/ Loop



- Tunnel loop
- Leather version
- Double thick bottom
- Bull pin loop on each side

Item #	Description	Std Pkg
235-5416L	Leather Bull Pin/Bolt Bag	1 ea

Canvas Electrode Bag



- No. 4 canvas
- 12" front depth
- 2" x 1/2" x 15-1/2" long
- Web loop for sliding over belt
- Heat-resistant, hard-leather bottom

Item #	Description	Std Pkg
235-5471	#4 Canvas Electrode Bag w/Web Loop	1 ea



HD Tapered Wall Bucket



- Rope Handle w/ Cam Swivel Snap
- Handle Reinforced Leather
- Cam with Swivel Snap
- Black Molded Polypropylene Bottom

Item #	Description	Std Pkg
235-5103S	12" #4 Canvas Bucket HD Tapered-Wall	1 ea

Leather Bottom Bucket



- Web handle extends down the sided foe added strength
- Rated 100 lbs
- Inside pocket measures 8" x 8"
- Bottom leather cuff extends 3" up the sides

Item #	Description	Std Pkg
235-5104	12" #1 Canvas Bucket Leather-Bottom	1 ea

Leather Bottom Bucket w/ Swivel Snap



- Web handle extends down the sided foe added strength
- Rated 100 lbs
- Inside pocket measures 8" x 8"
- Bottom leather cuff extends 3" up the sides
- With top swivel snap

Item #	Description	Std Pkg
235-5104S	12" #1 Canvas Bucket Leather Bottom	1 ea

Open Straight Wall Bucket



- Black molded poly bottom
- Max load rated 75 lbs
- Web handle
- Hi-Density poly top ring for strength
- Chemical resistance

Item #	Description	Std Pkg
235-5109	12" #1 Canvas Bucket Wide Open Straight Wall	1 ea

Open Straight Wall Bucket w/ Swivel Snap



- Black molded poly bottom
- Max load rated 75 lbs
- Web handle
- Hi-Density poly top ring for strength
- Chemical resistance
- With top Swivel snap

Item #	Description	Std Pkg
235-5109S	12" #6 Canvas Bucket Wide Open Straight Wall	1 ea

Leather General Purpose Belt



- Strong, heavy-duty leather
- Belt is 1-1/2-Inches wide
- Removable single-tongue buckle

Item #	Description	Std Pkg
235-5202L	1-1/2" x 38"- 46" Leather General Purpose Belt	1 ea
235-5202M	32"- 40" Leather General Purpose Belt	1 ea

Hi-Leverage Cable Cutter



- High-leverage design for exceptional cutting capability
- Precision, one-hand shearing action
- Cable-gripping shear-type jaws

Item #	Description	Std Pkg
235-63050	9-1/2" Hi-leverage Cable Cutter	6 ea

Ratcheting Cable Cutter



- Two-step ratchet requires fewer strokes per cut
- Quick release opens blades easily in cutting position
- High leverage ratchet for single-handed cutting
- Locking lever that keeps handle closed

Item #	Description	Std Pkg
235-63060	10-1/4" Hi-Leverage Cable Cutter	1 ea

Dual-Purpose Hack Saw



- Blade converts to 90° or 45° for standard or flush-cut
- Pivot-lock adjusts blade tension
- Blade has 3 teeth sizes and a thumb guard for two-hand sawing

Item #	Description	Std Pkg
235-701-S	12" Dual-Purpose Hacksaw	6 ea

Reversible Impact Driver Set



- 3/8"dr. Fitting adapter
- 5/16" Hex bit
- 4 assorted screwdriver bits
- Includes Driver

Item #	Description	Std Pkg
235-70220	6 pc 3/8" Square Drive Reversible Impact Driver	1 ea



Nylon Adjustable Lanyard



- Equipped with two drop-forged steel, corrosion-resistant Klein-Lok® locking snap hooks
- Convenient adjustable length
- For use in positioning, suspension, or retrieval systems

Item #	Description	Std Pkg
235-87433	6-1/2' - 10' Adjustable Nylon Lanyard	6 ea

Tie-Wire Reel



- Left or right use
- Holds 12-18 gauge wire
- Large comfortable rewind knob
- Aluminum alloy with wear pads

Item #	Description	Std Pkg
235-27400	Tie-Wire Reel	1 ea



Cobra Plier



- Pliers grey atrimented
- Polished head
- Handles with non-slip plastic coating

Item #	Description	Std Pkg
255-8701125	5" Cobra Plier	6 ea
255-8701150	6" Cobra Plier	6 ea
255-8701180	7-1/4" Cobra Plier	6 ea
255-8701250	10" Cobra Plier	6 ea
255-8701300	12" Cobra Plier	6 ea
255-8701400US	16" Cobra Plier	6 ea
255-8701560US	22" Cobra Plier	6 ea

Cobra Plier - Comfort Grip



- Pliers grey atrimented
- Polished head
- Handles with slim multi-component covers

Item #	Description	Std Pkg
255-8702250	10" Cobra Plier w/Comfort Grip	6 ea
255-8702300	12" Cobra Plier w/Comfort Grip	6 ea

2 pc Cobra Plier Set



- Pliers grey atrimented
- Polished head
- Handles with non-slip plastic coating

Item #	Description	Std Pkg
255-003120V01	2 pc Cobra Plier Set includes 7" & 10"	1 set

Alligator Plier



- Black atrimented pliers
- Polished head
- Handles with non-slip plastic coating

Item #	Description	Std Pkg
255-8801180	7-1/4" Alligator Plier	6 ea
255-8801250	10" Alligator Plier	6 ea
255-8801300	12" Alligator Plier	6 ea
255-8801400	16" Alligator Plier	6 ea

3 pc Alligator Plier Set



- Polished head
- Black atrimented pliers
- 7", 10", & 12" Alligator Pliers
- Self locking on pipes & nuts
- Non-slip plastic coating handles

Item #	Description	Std Pkg
255-002007US1	3pc Alligator Plier Set includes 7" 10" & 12"	1 set

Plier Wrench



- Chrome-plated pliers
- Plastic-coated handles

Item #	Description	Std Pkg
255-8603125	5" Plier Wrench	6 ea
255-8603180	7-1/4" Plier Wrench	6 ea
255-8603250	10" Plier Wrench	6 ea
255-8603300	12" Plier Wrench	6 ea
255-8603400US	16" Plier Wrench XL	1 ea

Plier Wrench - Comfort Grip



- Chrome-plated pliers
- Handles with multi-component covers

Item #	Description	Std Pkg
255-8605250	10" Plier Wrench w/Comfort Grip	6 ea



Plier Wrench Set



Includes:

- 8603180 - 7-1/4" pliers wrench
- 8603250 - 10" pliers wrench
- 8603300 - 12" pliers wrench

Item #	Description	Std Pkg
255-002006US2	3 pc Plier Wrench Set includes 7" 10" & 12"	1 set

COBALT Bolt Cutter



- Smooth Jaws
- Black atramentised pliers
- Plastic-coated handles
- Push-button adjustment
- Unique ratcheting action

Item #	Description	Std Pkg
255-7131200	8" COBALT Bolt Cutter w/Notch, High Leverage	6 ea



Water Finding Paste



- Use with petroleum and hydrocarbons
- Test for water in fuel storage tanks

Item #	Description	Std Pkg
004-KK01	3 oz Tube Water Finding Paste	12 ea

Gas Finding Paste



- Light pink paste
- Turns red on contact with gasoline/diesel & other gas oils
- Used to gauge for gasoline and other gas oils

Item #	Description	Std Pkg
004-KK02	2.25 oz Gas Finding Paste	12 ea



Acryli-Quik Clear Lacquer



- Non-yellowing
- Moisture-resistant
- Dries to handle in 2 hours
- Dries to touch in 10-15 minutes
- Permanent, protective gloss finish

Item #	Description	Std Pkg
065-K01301	Acrylic Quik 5-Ball - Crystal Clear	6 ea

Acryli-Quik Lacquer



- Tough, high-gloss finish
- Dries in 12 minutes or less
- Hard, protective, durable finish
- Use both indoors and outdoors
- No recoat window, recoat anytime

Item #	Description	Std Pkg
065-K01501	Acryli-Quik 5-Ball - Gloss White	6 ea
065-K01502	Acryli-Quik 5-Ball - Flat White	6 ea
065-K01508	Acryli-Quik 5-Ball - Semi Gloss White	6 ea
065-K01601	Acryli-Quik 5-Ball - Gloss Black	6 ea
065-K01602	Acryli-Quik 5-Ball - Flat Black	6 ea
065-K01604	Acryli-Quik 5-Ball - Shadow Gray	6 ea
065-K01605	Acryli-Quik 5-Ball - Stone Gray	6 ea
065-K01608	Acryli-Quik 5-Ball - Smoke Gray	6 ea
065-K01613	Acryli-Quik 5-Ball - Semi-Flat Black	6 ea
065-K01806	Acryli-Quik 5-Ball - Sun Yellow	6 ea
065-K01901	Acryli-Quik 5-Ball - Regal Blue	6 ea
065-K01910	Acryli-Quik 5-Ball - Safety Blue	6 ea
065-K02001	Acryli-Quik 5-Ball - Hunter Green	6 ea
065-K02016	Acryli-Quik 5-Ball - Emerald Green	6 ea
065-K02101	Acryli-Quik 5-Ball - Cherry Red	6 ea
065-K02108	Acryli-Quik 5-Ball - Banner Red	6 ea
065-K02501	Acryli-Quik 5-Ball - Leather Brown	6 ea
065-K02504	Acryli-Quik 5-Ball - Khaki	6 ea

Acryli-Quik Primer



- High-gloss finish
- Increases paint adhesion
- Primes, seals and protects
- Dries in 12 minutes or less
- Smoothes uneven surfaces
- Use both indoors and outdoors

Item #	Description	Std Pkg
065-K01315	Acryli-Quik 5-Ball Primer - White	6 ea
065-K01316	Acryli-Quik 5-Ball Primer - Black	6 ea
065-K01317	Acryli-Quik 5-Ball Primer - Ruddy Brown	6 ea
065-K01318	Acryli-Quik 5-Ball Primer - Gray	6 ea

Rust Tough Primer



- Increases paint adhesion
- Primes, seals and protects
- For both indoor and outdoor use
- Complete coverage with one coat
- Dries to handle in 1 hr, dries to touch in 25 min

Item #	Description	Std Pkg
065-R00699	Rust Tough Primer - Red Oxide	6 ea
065-R00829	Rust Tough Primer - Gray	6 ea

Rust Tough High Heat Paint



- Dries to touch in 15 minutes
- For both indoors and outdoors
- EZ TOUCH® FANSPRAY® Nozzle
- Tough, protective coating resists chipping and peeling

Item #	Description	Std Pkg
065-R00769	Rust Tough High Heat - Black	6 ea



Rust Tough Acrylic Enamel



- Dries to handle in 1 hr
- Dries to touch in 25 min
- For both indoor and outdoor use
- Complete coverage with one coat
- State-of-the-art corrosion protection

Item #	Description	Std Pkg
065-R00159	Rust Tough - Aluminum	6 ea
065-R00249	Rust Tough - Safety Blue	6 ea
065-R00259	Rust Tough - Deep Blue	6 ea
065-R00339	Rust Tough - OSHA Safety Green	6 ea
065-R00379	Rust Tough - Dark Green	6 ea
065-R00439	Rust Tough - Safety Yellow	6 ea
065-R00559	Rust Tough - Safety Orange	6 ea
065-R00639	Rust Tough - Safety Red	6 ea
065-R00649	Rust Tough - Bright Red	6 ea
065-R00759	Rust Tough - Chestnut Brown	6 ea
065-R00779	Rust Tough - Semi-Gloss Black	6 ea
065-R00799	Rust Tough - Gloss Black	6 ea
065-R00839	Rust Tough - Light Machinery Gray	6 ea
065-R00879	Rust Tough - Dark Machinery Gray	6 ea
065-R00919	Rust Tough - Semi-Gloss White	6 ea
065-R00929	Rust Tough - Gloss White	6 ea

Rust Tough Fluorescent Paint



- Glows under UV lighting
- Dries to handle in 1 hour
- Dries to touch in 25 minutes
- Resists chipping and peeling
- For both indoor and outdoor use
- Complete coverage with one coat

Item #	Description	Std Pkg
065-R10339	Rust Tough - Fluorescent Green	6 ea
065-R10559	Rust Tough - Fluorescent Orange	6 ea

Tough Coat Fluorescent



- Dries to touch in 15 minutes
- For both indoors and outdoors
- EZ TOUCH® FANSPRAY® Nozzle
- Tough, protective coating resists chipping and peeling

Item #	Description	Std Pkg
065-S01811	Tough Coat - Fluorescent Orange	12 ea

Tough Coat Rebar Green Epoxy



- Smooth, even coverage
- Use both indoors and outdoors
- Dries to the touch in just 15 minutes
- Ideal for light- to heavy- duty painting projects

Item #	Description	Std Pkg
065-K01732	Tough Coat - Epoxy Rebar Green	12 ea

Tough Coat Acrylic Alkyd Enamel



- Acrylic alkyd enamel
- Smooth, even coverage
- Dries to the touch in 15 min
- For both indoor and outdoor use
- Tough, protective coating resists chipping and peeling

Item #	Description	Std Pkg
065-S00325	Tough Coat - Machinery Dark Gray	12 ea
065-S01003	Tough Coat - International Harvester Red	12 ea
065-S01110	Tough Coat - OSHA Red	12 ea
065-S01310	Tough Coat - OSHA Yellow	12 ea
065-S01470	Tough Coat - OSHA Green	12 ea
065-S01510	Tough Coat - OSHA Blue	12 ea
065-S01540	Tough Coat - Light Blue	12 ea
065-S01615	Tough Coat - Medium Gray	12 ea
065-S01760	Tough Coat - Aluminum	12 ea
065-S01770	Tough Coat - OSHA Black	12 ea
065-S01800	Tough Coat - OSHA White	12 ea
065-S03727	Tough Coat - Max Flat Black	12 ea

Tough Coat High Heat Paint



- Fast-drying
- Smooth, even coverage
- Excellent color retention
- Ideal for light-to-heavy painting projects
- Tough, protective coating resists chipping and peeling

Item #	Description	Std Pkg
065-S00332	Tough Coat - High Heat Black	12 ea

Tough Coat Primer



- Fast-drying
- Smooth, even coverage
- Excellent color retention
- Dries to the touch in 15 min
- Ideal for light-to-heavy-duty painting projects
- Tough, protective coatings resists chipping and peeling

Item #	Description	Std Pkg
065-S00341	Tough Coat Primer - Light Gray Sandable	12 ea
065-S00342	Tough Coat - Red Oxide Sandable	12 ea

Quik-Mark WB Inverted Marking Paint - APWA



- Fast-drying
- VOC compliant
- Free of lead hazards
- Convenient Spray Thru™ cap
- Penetrates and adheres to hot surfaces
- Boldest, brightest and most visible markings

Item #	Description	Std Pkg
065-S03403	Quik-Mark WB APWA - Brilliant Orange	12 ea
065-S03801	Quik-Mark WB APWA - Utility Yellow	12 ea
065-S03901	Quik-Mark WB APWA - Brilliant White	12 ea
065-S03911	Quik-Mark WB APWA - Brilliant Red	12 ea



Quik-Mark WB Inverted Marking Paint - Clear



- Water Based
- Fast-drying formula
- Non-clogging Spray tip
- Bold, bright, visible markings
- Adheres to hot and cold surfaces

Item #	Description	Std Pkg
065-S03500	Quik-Mark WB - Clear	12 ea

Quik-Mark WB Inverted Marking Paint - Fluorescent



- Water Based
- Fast-drying formula
- Non-clogging Spray tip
- Bold, bright, visible markings
- Adheres to hot and cold surfaces

Item #	Description	Std Pkg
065-S03612	Quik-Mark WB - Fluorescent Pink	12 ea
065-S03620	Quik-Mark WB - Fluorescent Caution Blue	12 ea
065-S03630	Quik-Mark WB - Fluorescent Green	12 ea
065-S03700	Quik-Mark WB - Fluorescent Orange	12 ea

Quik-Mark SB Inverted Marking Paint - APWA



- Solvent Based
- Fast-drying formula
- Non-clogging Spray tip
- Bold, bright, visible markings
- Adheres to hot and cold surfaces

Item #	Description	Std Pkg
065-S03611	Quik-Mark SB APWA - Red	12 ea
065-S03621	Quik-Mark SB APWA - Blue	12 ea
065-S03631	Quik-Mark SB APWA - Green	12 ea
065-S03731	Quik-Mark SB APWA - Bright Orange	12 ea
065-S03821	Quik-Mark SB APWA - Hi-Viz Yellow	12 ea
065-S03823	Quik-Mark SB APWA - Safety Yellow	12 ea
065-S03900	Quik-Mark SB APWA - White	12 ea

Quik-Mark SB Inverted Marking Paint - Fluorescent



- Solvent Based
- Fast-drying formula
- Non-clogging Spray tip
- Bold, bright, visible markings
- Adheres to hot and cold surfaces

Item #	Description	Std Pkg
065-S03613	Quik-Mark SB - Fluorescent Safety Red	12 ea
065-S03614	Quik-Mark SB - Fluorescent Green	12 ea
065-S03622	Quik-Mark SB - Fluorescent Hot Pink	12 ea
065-S03701	Quik-Mark SB - Fluorescent Red/Orange	12 ea
065-S03702	Quik-Mark SB - Fluorescent Orange	12 ea

Metallic Paint



- Indoor use
- Dries to handle 1 hour
- Dries to touch 15 minutes
- Brilliant metallic-like finish
- Glistening metallic pigments

Item #	Description	Std Pkg
065-K01401	Metallic Bright Silver Paint	6 ea
065-K01403	Dull Aluminum Metallic Paint	6 ea
065-K01404	Metallic Chrome Aluminum Paint	6 ea
065-K01701	Metallic Bright Gold	6 ea
065-K01706	Metallic Gold	6 ea

BBQ & Stove Paint



- Protects against rust
- Use indoor and outdoor
- Dries to handle in 1 hour
- Dries to touch in 15 minutes
- For BBQ grills and wood-burning stoves
- Durable finish with Thermo-Guard protection

Item #	Description	Std Pkg
065-K01407	BBQ & Stove Aluminum High Heat Paint	6 ea
065-K01618	High Heat Black Stove Paint	6 ea

Farm & Implement Paint



- Fast drying
- Original equipment colors
- High-glass, factory-like colors
- Weather and chemical resistant

Item #	Description	Std Pkg
065-K01932	John Deere/Case Green Paint	6 ea
065-K01933	International Harvester Red Paint	6 ea
065-K01934	John Deere/Case Yellow Paint	6 ea

OSHA Paint



- Dries to handle in 1 hr
- Dries to touch in 12 min
- High visibility safety colors
- Mark physical hazards
- Designate caution for workers' safety
- Meet color standards approved by the OSHA

Item #	Description	Std Pkg
065-K01813	OSHA Safety Yellow	6 ea
065-K01929	OSHA Safety Purple	6 ea
065-K02012	OSHA Safety Green	6 ea
065-K02116	OSHA Safety Red	6 ea
065-K02410	OSHA Safety Orange	6 ea
065-K02416	OSHA Safety Blue	6 ea



Fluorescent Paint



- Brilliant optical effect
- Dries in 15 minutes or less
- Paints glow under black light
- For both indoor and outdoor use
- Bold neon colors for high visibility
- Apply over white base coat for optimum brightness

Item #	Description	Std Pkg
065-K03101	Fluorescent Red Orange	6 ea
065-K03102	Fluorescent Yellow	6 ea
065-K03105	Fluorescent Red/Cerise	6 ea
065-K03106	Fluorescent Green	6 ea

Dual Superbond Paint + Primer



- No sanding or priming
- Maximum rust protection
- Fast drying; no runs or drips
- Bonds to hard-to-adhere surfaces

Item #	Description	Std Pkg
065-K08805007	Dual Superbond Paint + Primer - Cherry Red	6 ea
065-K08814007	Dual Superbond Paint + Primer - Gloss Piston Grey	6 ea
065-K08820007	Dual Superbond Paint + Primer - True Blue	6 ea

Wheeler Hand Held Marking Wand



- 34" in length
- Reduce finger fatigue
- Comfortable pistol grip
- Improves marking accuracy
- Applies a 1 to 1-1/2" width of paint
- Durable plastic and lightweight steel
- Wheels allow for clean and straight lines

Item #	Description	Std Pkg
065-K07096	34" Marking Wheel Wand	1 ea

Paint Mitt



- One size fits all
- Synthetic fabric
- Can also be used for cleaning
- Plastic liner keeps hand clean and dry

Item #	Description	Std Pkg
065-KRY991912000	Paint Mitt	1 ea

Engine Paint with Ceramic



- Resists temperatures up to 500°F
- Durable ceramic formulation
- Superior high gloss finishes
- Oil and gas resistant

Item #	Description	Std Pkg
065-DE1620	12 oz Engine Paint - Chevy Orange	6 ea
065-DE1631	12 oz Engine Paint - Chrysler Blue	6 ea



All-Purpose Lubricant



- Ultra-thin film
- Contains no silicone
- Penetrates and prevents rust
- Displaces moisture and lubricates
- Transparent blend of high quality petroleum distillates

Item #	Description	Std Pkg
065-S00711	LU711 11 oz the Protector All-Purpose Lubricant	12 ea
065-S71101	LU711 gal The Protector All-Purpose Lubricant	4 ea
065-S71105	711 5 gal The Protector All-Purpose Lubricant	1 pail
065-S71155	711 55 gal Protector All-Purpose Lubricant	1 drum

White Lithium Grease



- Non-melting
- Inhibits corrosion
- Excellent cling for overhead applications
- Excellent lubricant for metal-to-metal applications

Item #	Description	Std Pkg
065-S00100	LU100 White Lithium Grease	12 ea

Rust Breaker Penetrant



- Non-flammable
- Water displacer
- Quickly loosens rust
- Penetrates grease and dirt
- Transparent and non-staining
- Will not harm painted surfaces

Item #	Description	Std Pkg
065-S00103	16 oz LU103 Rust Breaker Penetrant	12 ea

Dry Moly Lubricant



- Non-conductive lubricant
- Low coefficient of friction
- Bonds to all clean surfaces
- Molybdenum disulfide coating
- Withstands extreme pressures up to 50,000 PSI

Item #	Description	Std Pkg
065-S00200	Dry Moly Lube	12 ea

Open Gear & Wire Rope Lubricant



- Prevents rust and corrosion
- Withstands extreme pressure
- Adheres extremely well to surfaces
- Penetrates the pores of metal surfaces
- Black color assists in showing complete coverage

Item #	Description	Std Pkg
065-S00201	HD Open Gear & Wire Rope Lube	12 ea



Dry Graphite Lubricant



- Dries rapidly
- Reduces friction and water
- Provides clean, long-wearing lubrication
- High lubricity and adheres to most surfaces

Item #	Description	Std Pkg
065-S00204	16 oz Dry Graphite Lubricant Spray	12 ea

Cutting Oil



- Extends tool life
- Clings to surfaces
- Reduces friction and water
- Works on ferrous and soft metals
- Contains friction reducing triglycerides

Item #	Description	Std Pkg
065-S00208	Cutting Oil	12 ea

HD Citrus Degreaser



- Non-Toxic
- Citrus scent
- Biodegradable
- Non-chlorinated formula
- Removes grime, dirt, grease and oil
- Heavy duty, multi-purpose degreaser and adhesive

Item #	Description	Std Pkg
065-S00757	20 oz CD757 HD Citrus Degreaser	12 ea

General Purpose Cleaner



- Streak proof
- VOC Compliant
- Streak proof formula
- Works on all surfaces
- Removes spots on synthetic carpets
- Cuts through dirt, grease and soil surface smears

Item #	Description	Std Pkg
065-S00880	19 oz General Purpose Cleaner	12 ea

Clear Insulating Varnish



- Air dries in 10 minutes
- Clear insulating enamel
- Resists oil, moisture, acid and alkalis
- Oil and chemical abrasion resistance
- Excellent flexibility and water resistance

Item #	Description	Std Pkg
065-S00600A	Clear Insulating Varnish	12 ea

Red Insulating Varnish



- Water resistant
- Air dries in 10 minutes
- Excellent adhesion and flexibility
- Resists oil, moisture, acid and alkalis
- Meets NEMA & UL Class F Requirements

Item #	Description	Std Pkg
065-S00601A	Red Insulating Varnish	12 ea

Zinc Rich Galvanizing Compound



- Low VOC
- 97% Pure zinc dust
- Non-sagging formula
- High performance primer
- Stops rust on steel or galvanized coatings

Item #	Description	Std Pkg
065-S00740	16 oz Zinc-Rich Cold Galvanizing Compound	12 ea

Belt Dressing



- Conditions belts
- Reduces squeaky noise
- Increases pulling power
- Contains no asphalt or rosin
- Does not glaze or collect dirt
- Will not glaze, collect dirt or dust

Item #	Description	Std Pkg
065-S00607	Belt Dressing	12 ea

HD Paint Remover



- Removes baked finishes
- Fast acting paint remover
- Contains methylene chloride
- Cuts through all paint finishes
- Leaves surface clean and ready-to-paint
- Removes urethanes, varnish and shellac

Item #	Description	Std Pkg
065-S00615	Heavy Duty Paint Remover	12 ea

Multi-Purpose Spray Adhesive



- Dries quickly
- Controlled mist pattern
- Does not contain CFSS
- VOC and MIR Compliant
- Long lasting, secure bonds
- Tack Range: 10-30 seconds
- High coverage and low soak-in factor

Item #	Description	Std Pkg
065-S07000000	SP7000 24 oz Multi-purpose Spray Adhesive	12 ea



Insect Repellent



- 23.75% DEET
- No need for frequent re-application
- Protects against insect bites up to 4 hours
- Effectively repels mosquitoes, flies, chiggers, ticks, gnats, fleas, etc.

Item #	Description	Std Pkg
065-S00856	8 oz Insect Repellent II	12 ea

Wasp & Hornet Killer



- Sprays up to 20'
- 98% Knockdown
- 100% Kill within 24 hrs
- Ergonomic trigger spray nozzle
- For killing wasps, hornets, yellow jackets

Item #	Description	Std Pkg
065-S00857	12 oz Blast-Em Wasp & Hornet Killer Spray	12 ea



Silicone Rubber - All Purpose



- RTV formula
- Non-shrinking
- Excellent adhesion
- 100% silicone sealant
- Resists moisture and mildew
- Highly flexible, watertight seal

Item #	Description	Std Pkg
065-W11120010	10 oz 100% Silicone White	12 ea
065-W11121010	10 oz 100% Silicone Clear	12 ea



47 pc SAE & Metric Socket Set



- SAE Sockets 12pt: 1/4", 5/16", 3/8", 7/16", 1/2", 9/16", 5/8", 11/16", 3/4", 13/16", 7/8"
- Metric Sockets 12pt: 6, 7, 8, 9, 10, 11, 12, 13, 14, 15, 16, 17, 18, 19mm
- SAE Deep Sockets 12pt: 3/8", 7/16", 1/2", 9/16", 5/8", 11/16", 3/4", 13/16", 7/8"
- Metric Deep Sockets 12pt: 10, 11, 12, 13, 14, 15, 16, 17, 18, 19mm
- Reversible Ratchet 8", Extension Bars 3" and 6"

Item #	Description	Std Pkg
145-A3005CR	47 pc 3/8" Drive 12 Point Socket Set SAE + Metric	1 set
145-A3505CR	47 pc 3/8" Drive 6 Point Socket Set SAE + Metric	1 set

47 pc SAE & Metric Socket Set - A4005CR



- SAE Sockets: 1/2", 9/16", 5/8", 11/16", 3/4", 13/16", 7/8", 15/16", 1", 1-1/16", 1-1/8"
- Metric Sockets: 10, 11, 12, 13, 14, 15, 16, 17, 18, 19, 20, 21, 22, 23, 24mm
- Deep SAE Sockets: 1/2", 9/16", 5/8", 11/16", 3/4", 13/16", 7/8", 15/16"
- Deep Metric Sockets: 10, 11, 12, 13, 14, 15, 16, 17, 18, 19mm
- Reversible Ratchet 10", Extension Bars 2" and 5"

Item #	Description	Std Pkg
145-A4005CR	47 pc 1/2" Drive 12 point Socket Set SAE + Metric	1 set

19 pc SAE Socket Set



- Sockets 12pt: 3/8", 7/16", 1/2", 9/16", 5/8", 11/16", 3/4", 13/16", 7/8", 15/16", 1", 1-1/16", 1-1/8"
- Adapter 1/2"Fx3/8"M, Universal Joint 3", Reversible Ratchet 10", Flexible Head 15", Extension Bars 5" & 10"

Item #	Description	Std Pkg
145-A4003SR	19 pc 1/2" Drive SAE 12 point Chrome Socket Set	1 set

14 pc SAE Deep Impact Socket Set



- Sizes: 3/8", 7/16", 1/2", 9/16", 5/8", 11/16", 3/4", 13/16", 7/8", 15/16", 1", 1-1/16", 1-1/8", 1-1/4"
- 1/2" drive 6pt impact deep sockets

Item #	Description	Std Pkg
145-A4406SP	14 pc 1/2" Drive Deep Impact Socket Set 6pt	1 set

28 pc SAE Socket Set



- 3/4" Drive Standard Sockets 12pt: 7/8", 15/16", 1", 1-1/16", 1-1/8", 1-1/4", 1-5/16", 1-3/8", 1-7/16", 1-1/2", 1-5/8", 1-3/4", 1-13/16", 1-7/8", 2"
- Reversible Ratchet 20", Universal Joint 4-1/4", Extension Bars 8" and 16", Sliding T-handle 20"

Item #	Description	Std Pkg
145-A6002SR	28 pc 3/4" Drive Standard Socket Set 12 pt	1 set

20 pc SAE Socket Set



- Sockets 12pt: 7/8", 15/16", 1", 1-1/16", 1-1/8", 1-1/4", 1-5/16", 1-3/8", 1-7/16", 1-1/2", 1-5/8", 1-3/4", 1-13/16", 1-7/8", 2"
- Reversible Ratchet 20", Universal Joint 4-1/4", Extension Bars 8" and 16", Sliding T-handle 20"

Item #	Description	Std Pkg
145-A6001SR	20 pc 3/4" Socket Set w/Ratchet & Extension	1 set

KT PRO

8 pc SAE Deep Impact Socket Set



- **Sizes:** 1", 1-1/16", 1-1/8", 1-1/4", 1-5/16", 1-3/8", 1-7/16", 1-1/2"
- 3/4" drive 6 pt impact deep sockets

Item #	Description	Std Pkg
145-A6403SP	8pc 3/4" Drive Deep Impact Socket Set 6 pt	1 set

8 pc SAE Thin Wall Impact Socket Set



- **Sizes:** 3/4", 7/8", 15/16", 1-1/16", 1-3/16", 1-1/4", 1-7/16", 1-1/2"

Item #	Description	Std Pkg
145-A6401SP10	8 pc 3/4" Drive Thin Wall Impact Socket Set 6pt	1 set

8 pc SAE Impact Socket Set



- **Sizes:** 15/16", 1-1/16", 1-3/16", 1-1/4", 1-5/16", 1-7/16", 1-1/2", 1-5/8"
- 1" drive 6 pt impact standard sockets

Item #	Description	Std Pkg
145-A6402SP10	8 pc 3/4" Drive Standard Impact Socket Set 6pt	1 set
145-A8403SP	8 pc 1" Drive Impact Socket Set Standard 6pt	1 set

1" Dr Reversible Ratchet Knurl



- 15° gear action (24 teeth)
- Made to meet international standards for quality and safety
- Absolute quality, great durability, and solid workmanship

Item #	Description	Std Pkg
145-C4879-32F	1" Drive Ratchet 32" Reversible	1 ea

3/4" Dr Reversible Ratchet Knurl



- Industrial grade
- Durable chrome vanadium steel
- Large size markings for readability
- Limited Lifetime Warranty
- 20 inch

Item #	Description	Std Pkg
145-C4679-20F	3/4" Drive Ratchet 20" Reversible	1 ea

1/2" Dr Reversible Ratchet Polish



- 1/2" drive reversible ratchet
- 11° gear action (32 teeth)
- Dual pawl action
- Made to meet international standard

Item #	Description	Std Pkg
145-C4468-15P	1/2" Drive Ratchet 15" Reversible	1 ea

C4468 Repair Kit



- Industrial grade
- Durable chrome vanadium steel
- Large size markings for readability

Item #	Description	Std Pkg
145-C4468-DK	Repair Kit 1/2" Drive Reversible Ratchet	1 ea

3/4" Dr Impact Extension Bar



- High quality chrome molybdenum steel
- Standard, deep, bit, thin-wall, rear-wheel, and racing impact
- 7 inch

Item #	Description	Std Pkg
145-D5620-07P	3/4" Impact Ext 7" with Ball	1 ea

1" Dr Impact Extension Bar



- High quality chrome molybdenum steel
- Available in: SAE and Metric
- 6 and 12 point, 3/8 inch drive to 1-1/2 inch drive
- Standard, deep, bit, thin-wall, rear-wheel, and racing impact

Item #	Description	Std Pkg
145-D5820-07P	1" Drive x 7" Impact Extension with Ball	1 ea

1/2" Dr Impact Universal Joint w/Ball



- High quality chrome molybdenum steel
- Available in: SAE and Metric
- 6 and 12 point, 3/8 inch drive to 1-1/2 inch drive
- Standard, deep, bit, thin-wall, rear-wheel, and racing impact
- 2-1/2 inch

Item #	Description	Std Pkg
145-D5471P	1/2" Drive Impact U-Joint w/Ball 2-1/2" Length	1 ea

1/2 dr Impact Adapter



- High quality chrome molybdenum steel
- 1/2 inch drive adapter

Item #	Description	Std Pkg
145-D5486	1/2" F x 3/4" M Impact Adapter	1 ea

1/2" Dr Deep Impact Socket Metric 6 pt



- High quality chrome molybdenum steel
- Heat-treated phosphate finish
- Deep impact socket

Item #	Description	Std Pkg
145-D1430S18	1/2" Dr 9/16" Deep Imp 6pt Skt	1 ea
145-D1430S22	1/2" Dr 11/16" Deep Imp 6pt Skt	1 ea
145-D1430S24	1/2" Dr 3/4" Deep Imp 6pt Skt	1 ea
145-D1430S28	1/2" Dr 7/8" Deep Imp 6pt Skt	1 ea
145-D1430S30	1/2" Dr 15/16" Deep Imp 6pt Skt	1 ea
145-D1430S32	1/2" Dr 1" Deep Imp 6pt Skt	1 ea

KT PRO

1/2" Dr Impact Socket SAE 6 pt



- 1/2" drive
- High quality chrome molybdenum steel
- Standard, deep, bit, thin-wall impact

Item #	Description	Std Pkg
145-D1410S10	1/2" Dr 5/16" 6 Point Standard Impact Socket	1 ea
145-D1410S12	1/2" Dr 3/8" 6 Point Standard Impact Socket	1 ea
145-D1410S14	1/2" Dr 7/16" 6 Point Standard Impact Socket	1 ea
145-D1410S16	1/2" Dr 1/2" 6 Point Standard Impact Socket	1 ea
145-D1410S18	1/2" Dr 9/16" 6 Point Standard Impact Socket	1 ea
145-D1410S20	1/2" Dr 5/8" 6 Point Standard Impact Socket	1 ea
145-D1410S22	1/2" Dr 11/16" 6 Point Standard Impact Socket	1 ea
145-D1410S24	1/2" Dr 3/4" 6 Point Standard Impact Socket	1 ea
145-D1410S26	1/2" Dr 13/16" 6 Point Standard Impact Socket	1 ea
145-D1410S28	1/2" Dr 7/8" 6 Point Standard Impact Socket	1 ea
145-D1410S30	1/2" Dr 15/16" 6 Point Standard Impact Socket	1 ea
145-D1410S32	1/2" Dr 1" 6 Point Standard Impact Socket	1 ea
145-D1410S34	1/2" Dr 1-1/16" 6 Point Standard Impact Socket	1 ea
145-D1410S36	1/2" Dr 1-1/8" 6 Point Standard Impact Socket	1 ea
145-D1410S38	1/2" Dr 1-3/16" 6 Point Standard Impact Socket	1 ea
145-D1410S40	1/2" Dr 1-1/4" 6 Point Standard Impact Socket	1 ea

3/4" Dr Impact Socket SAE 6 pt



- High quality chrome molybdenum steel
- Heat-treated phosphate finish
- Standard impact socket

Item #	Description	Std Pkg
145-D1610S22	3/4" Dr 11/16" 6 Point Standard Impact Socket	1 ea
145-D1610S24	3/4" Dr 3/4" 6 Point Standard Impact Socket	1 ea
145-D1610S26	3/4" Dr 13/16" 6 Point Standard Impact Socket	1 ea
145-D1610S28	3/4" Dr 7/8" 6 Point Standard Impact Socket	1 ea
145-D1610S30	3/4" Dr 15/16" 6 Point Standard Impact Socket	1 ea
145-D1610S32	3/4" Dr 1" 6 Point Standard Impact Socket	1 ea
145-D1610S34	3/4" Dr 1-1/16" 6 Point Standard Impact Socket	1 ea
145-D1610S36	3/4" Dr 1-1/8" 6 Point Standard Impact Socket	1 ea
145-D1610S38	3/4" Dr 1-3/16" 6 Point Standard Impact Socket	1 ea
145-D1610S40	3/4" Dr 1-1/4" 6 Point Standard Impact Socket	1 ea
145-D1610S42	3/4" Dr 1-5/16" 6 Point Standard Impact Socket	1 ea
145-D1610S44	3/4" Dr 1-3/8" 6 Point Standard Impact Socket	1 ea
145-D1610S46	3/4" Dr 1-7/16" 6 Point Standard Impact Socket	1 ea
145-D1610S48	3/4" Dr 1-1/2" 6 Point Standard Impact Socket	1 ea
145-D1610S50	3/4" Dr 1-9/16" 6 Point Standard Impact Socket	1 ea
145-D1610S52	3/4" Dr 1-5/8" 6 Point Standard Impact Socket	1 ea
145-D1610S54	3/4" Dr 1-11/16" 6 Point Standard Impact Socket	1 ea
145-D1610S56	3/4" Dr 1-3/4" 6 Point Standard Impact Socket	1 ea
145-D1610S58	3/4" Dr 1-13/16" 6 Point Standard Impact Socket	1 ea
145-D1610S60	3/4" Dr 1-7/8" 6 Point Standard Impact Socket	1 ea
145-D1610S62	3/4" Dr 1-15/16" 6 Point Standard Impact Socket	1 ea
145-D1610S64	3/4" Dr 2" 6 Point Standard Impact Socket	1 ea
145-D1610S66	3/4" Dr 2-1/16" 6 Point Standard Impact Socket	1 ea
145-D1610S68	3/4" Dr 2-1/8" 6 Point Standard Impact Socket	1 ea
145-D1610S70	3/4" Dr 2-3/16" 6 Point Standard Impact Socket	1 ea
145-D1610S72	3/4" Dr 2-1/4" 6 Point Standard Impact Socket	1 ea
145-D1610S74	3/4" Dr 2-5/16" 6 Point Standard Impact Socket	1 ea
145-D1610S76	3/4" Dr 2-3/8" 6 Point Standard Impact Socket	1 ea

3/4" Dr Impact Universal Joint



- High quality chrome molybdenum steel
- Heat-treated phosphate finish
- Universal joint with ball

Item #	Description	Std Pkg
145-D5671P	3/4" Dr Impact Universal Joint with Ball	1 ea

3/4" Dr Impact Adapter



- High quality chrome molybdenum steel
- Heat-treated phosphate finish
- Impact adapter with ball

Item #	Description	Std Pkg
145-D5684P	3/4" F x 1/2" M Dr Impact Adapter with Ball	1 ea
145-D5688P	3/4" F x 1" M Impact Adapter with Ball	1 ea

3/4" Dr Deep Impact Socket SAE 6 pt



- High quality chrome molybdenum steel
- Heat-treated phosphate finish
- 3/4" SAE 6 pt, Standard, deep impact

Item #	Description	Std Pkg
145-D1630S24	3/4" Dr 3/4" Deep Impact Socket 6pt	1 ea
145-D1630S26	3/4" Dr 13/16" Deep Impact Socket 6pt	1 ea
145-D1630S28	3/4" Dr 7/8" Deep Impact Socket 6pt	1 ea
145-D1630S30	3/4" Dr 15/16" Deep Impact Socket 6pt	1 ea
145-D1630S32	3/4" Dr 1" Deep Impact Socket 6pt	1 ea
145-D1630S34	3/4" Dr 1-1/16" Deep Impact Socket 6pt	1 ea
145-D1630S36	3/4" Dr 1-1/8" Deep Impact Socket 6pt	1 ea
145-D1630S38	3/4" Dr 1-3/16" Deep Impact Socket 6pt	1 ea
145-D1630S40	3/4" Dr 1-1/4" Deep Impact Socket 6pt	1 ea
145-D1630S42	3/4" Dr 1-5/16" Deep Impact Socket 6pt	1 ea
145-D1630S50	3/4" Dr 1-9/16" Deep Impact Socket 6pt	1 ea
145-D1630S52	3/4" Dr 1-5/8" Deep Impact Socket 6pt	1 ea
145-D1630S54	3/4" Dr 1-11/16" Deep Impact Socket 6pt	1 ea
145-D1630S56	3/4" Dr 1-3/4" Deep Impact Socket 6pt	1 ea
145-D1630S58	3/4" Dr 1-13/16" Deep Impact Socket 6pt	1 ea
145-D1630S60	3/4" Dr 1-7/8" Deep Impact Socket 6pt	1 ea
145-D1630S62	3/4" Dr 1-15/16" Deep Impact Socket 6pt	1 ea
145-D1630S64	3/4" Dr 2" Deep Impact Socket 6pt	1 ea

1" Dr Impact Universal Joint



- High quality chrome molybdenum steel
- Heat-treated phosphate finish
- 1" drive w/ball

Item #	Description	Std Pkg
145-D5871P	1" Dr Impact Universal Joint w/Ball 5"	1 ea

1" Dr Impact Adapter w/Ball



- High quality chrome molybdenum steel
- Impact adapter w/ball
- 1" F x 3/4" M

Item #	Description	Std Pkg
145-D5886P	1" F x 3/4" M Impact Adapter w/Ball	1 ea



1" Dr Deep Impact Socket SAE 6 pt



- High quality chrome molybdenum steel
- SAE 6 point, Deep impact
- 1 inch

Item #	Description	Std Pkg
145-D1830S50	1" Dr 1-9/16" 6 Point Deep Impact Socket	1 ea
145-D1830S56	1" Dr 1-3/4" 6 Point Deep Impact Socket	1 ea
145-D1830S68	1" Dr 2-1/8" 6 Point Deep Impact Socket	1 ea
145-D1830S72	1" Dr 2-1/4" 6 Point Deep Impact Socket	1 ea

1" Dr Impact Socket SAE 6 pt



- High quality chrome molybdenum steel
- SAE 6 point, standard impact socket
- 1 inch

Item #	Description	Std Pkg
145-D1810S24	1" Dr 3/4" 6 Point Impact Socket	1 ea
145-D1810S32	1" Dr 1" 6 Point Impact Socket	1 ea
145-D1810S34	1" Dr 1-1/16" 6 Point Standard Impact Socket	1 ea
145-D1810S36	1" Dr 1-1/8" 6 Point Standard Impact Socket	1 ea
145-D1810S38	1" Dr 1-3/16" 6 Point Standard Impact Socket	1 ea
145-D1810S40	1" Dr 1-1/4" 6 Point Standard Impact Socket	1 ea
145-D1810S42	1" Dr 1-5/16" 6 Point Standard Impact Socket	1 ea
145-D1810S44	1" Dr 1-3/8" 6 Point Standard Impact Socket	1 ea
145-D1810S46	1" Dr 1-7/16" 6 Point Standard Impact Socket	1 ea
145-D1810S48	1" Dr 1-1/2" 6 Point Standard Impact Socket	1 ea
145-D1810S50	1" Dr 1-9/16" 6 Point Standard Impact Socket	1 ea
145-D1810S52	1" Dr 1-5/8" 6 Point Standard Impact Socket	1 ea
145-D1810S54	1" Dr 1-11/16" 6 Point Standard Impact Socket	1 ea
145-D1810S56	1" Dr 1-3/4" 6 Point Standard Impact Socket	1 ea
145-D1810S58	1" Dr 1-13/16" 6 Point Standard Impact Socket	1 ea
145-D1810S60	1" Dr 1-7/8" 6 Point Standard Impact Socket	1 ea
145-D1810S62	1" Dr 1-15/16" 6 Point Standard Impact Socket	1 ea
145-D1810S64	1" Dr 2" 6 Point Standard Impact Socket	1 ea
145-D1810S66	1" Dr 2-1/16" 6 Point Standard Impact Socket	1 ea
145-D1810S68	1" Dr 2-1/8" 6 Point Standard Impact Socket	1 ea
145-D1810S70	1" Dr 2-3/16" 6 Point Standard Impact Socket	1 ea
145-D1810S72	1" Dr 2-1/4" 6 Point Standard Impact Socket	1 ea
145-D1810S74	1" Dr 2-5/16" 6 Point Standard Impact Socket	1 ea
145-D1810S76	1" Dr 2-3/8" 6 Point Standard Impact Socket	1 ea
145-D1810S78	1" Dr 2-7/16" 6 Point Standard Impact Socket	1 ea
145-D1810S80	1" Dr 2-1/2" 6 Point Standard Impact Socket	1 ea
145-D1810S82	1" Dr 2-9/16" 6 Point SAE Standard Impact Socket	1 ea
145-D1810S84	1" Dr 2-5/8" 6 Point SAE Standard Impact Socket	1 ea
145-D1810S86	1" Dr 2-11/16" 6 Point SAE Std Impact Socket	1 ea
145-D1810S88	1" Dr 2-3/4" 6 Point SAE Standard Impact Socket	1 ea
145-D1810S90	1" Dr 2-13/16" 6 Point SAE Std Impact Socket	1 ea
145-D1810S92	1" Dr 2-7/8" 6 Point SAE Standard Impact Socket	1 ea
145-D1810S94	1" Dr 2-15/16" 6 Point SAE Std Impact Socket	1 ea
145-D1810S96	1" Dr 3" 6 Point Standard Impact Socket	1 ea



Combo Wrench - 12pt

- 15° open ended angle
- 15° box end
- Satin finish, chrome plated

Item #	Description	Std Pkg
145-5071-62	1-15/16" Combo Wrench	1 ea



G80 Overhead Lifting Chain



- Made from quenched and tempered alloy steel
- Overhead lifting
- Tow & binder chain

Item #	Description	Std Pkg
085-1019-544-02	9/32" Chain for Overhead Lifting (400'/drum)	1 drum
085-1023-544-02	5/16" Chain for Overhead Lifting (275'/drum)	1 drum
085-1026-543-02	3/8" Chain for Overhead Lifting (400'/drum)	1 drum
085-1026-544-02	3/8" Chain for Overhead Lifting (200'/drum)	1 drum
085-1033-543-02	1/2" Chain for Overhead Lifting (200'/drum)	1 pail

G70 Transport Chain



- Grade 70 is a high strength chain
- Transport tie downs
- Tow & Binder chains
- Meets D.O.T. specs
- Finish: Gold Chromate

Item #	Description	Std Pkg
085-3519-603-55	1/4" Chain Gold Chromate (135'/pail)	1 pail
085-3523-503-55	5/16" Chain Gold Chromate (90'/pail)	1 pail
085-3523-544-55	5/16" Chain Gold Chromate (275'/drum)	1 drum
085-3526-503-55	3/8" Chain Gold Chromate (63'/pail)	1 pail
085-3526-544-55	3/8" Chain Gold Chromate (200'/drum)	1 drum

G43 High Test Chain



- High strength medium carbon steel chain with good wear characteristics ideal for most tie down applications
- Transport tie downs
- Tow & Binder chains

Item #	Description	Std Pkg
085-1419-503-00	1/4" High Test Self-Colored (135'/pail)	1 pail
085-1419-544-00	1/4" High Test Self-Colored (400'/drum)	1 drum
085-1423-503-00	5/16" High Test Chain Self-Colored (90'/pail)	1 pail
085-1423-543-00	5/16" High Test Chain Self-Colored (550'/drum)	1 drum
085-1423-544-00	5/16" High Test Chain Self-Colored (275'/drum)	1 drum



G43 Binder / Tow Chain



- Grade 43 Hi Test Chain
- Self colored

Item #	Description	Std Pkg
085-1426-503-00	3/8" High Test Self-Colored Chain (63'/pail)	1 pail
085-1426-543-00	3/8" High Test Self-Colored Chain (400'/drum)	1 drum
085-1426-544-00	3/8" High Test Self-Colored Chain (200'/drum)	1 drum
085-1433-543-00	1/2" High Test Self-Colored (200'/drum)	1 drum

G30 Proof Coil Chain



- Grade 30 Proof Coil Chain Regular Link
- Light duty applications

Item #	Description	Std Pkg
085-2119-644-04	1/4" Electro-Galvanized Chain (400'/drum)	1 drum

G30 Proof Long Coil Chain



- Grade 30 Proof Coil Chain Long Link
- Light duty applications

Item #	Description	Std Pkg
085-1636-524-04	2/0 Coil Electro-Galvanized Chain (125'/reel)	1 reel

Single Jack Chain



- A chain made of light wire
- Light industrial applications

Item #	Description	Std Pkg
085-4219-512-04	#16 Single Jack 100'	1 ctn

G80 Clevis Grab Hook



- Self-Colored Finish
- Not for Overhead Lifting

Item #	Description	Std Pkg
085-1097-201-80	1/4" -9/32" Clevis Grab Hook Grade 80	Bulk
085-1097-301-80	5/16" Clevis Grab Hook Grade 80	Bulk
085-1097-401-80	3/8" Clevis Grab Hook Grade 80	Bulk
085-1097-601-80	1/2" Clevis Grab Hook Grade 80	Bulk

G70 Clevis Grab Hook



- Gold Chromate Finish
- Not for Overhead Lifting

Item #	Description	Std Pkg
085-3570-205-05	1/4" Grade 70 Clevis Grab Hook	Bulk
085-3570-305-05	5/16" Grade 70 Clevis Grab Hook	Bulk
085-3570-405-05	3/8" Grade 70 Clevis Grab Hook	Bulk
085-3570-603-05	1/2" Grade 70 Clevis Grab Hook	Bulk

G43 Clevis Grab Hook



- Self-Colored Finish
- Not for Overhead Lifting

Item #	Description	Std Pkg
085-6470-205-00	1/4" Grade 43 Self-Colored Clevis Grab Hook	10 ea
085-6470-305-00	5/16" Grade 43 Self-Colored Clevis Grab Hook	10 ea
085-6470-405-00	3/8" Grade 43 Self-Colored Clevis Grab Hook	10 ea

Quick Link



- Zinc Plated Finish
- Not for Overhead Use

Item #	Description	Std Pkg
085-6590-024-04	1/4" Quick Link	20 ea
085-6590-034-04	5/16" Quick Link	20 ea

Connecting Links



- Electro-Galv Finish
- Not for Overhead Use

Item #	Description	Std Pkg
085-6750-205-04	1/4" Connecting Links Electro-Galvanized	10 ea
085-6750-305-04	5/16" Connecting Links Electro-Galvanized	10 ea
085-6750-406-04	3/8" Connecting Links Electro-Galvanized	10 ea

High Test Binder / Tow Chain



- Clevis Hooks
- Self-Colored Finish
- Not for Lifting
- Do Not Exceed Work Load Limit

Item #	Description	Std Pkg
085-1421-812-58	5/16" x 20' SC High Test Binder/Tow Chain	Bulk
085-1421-826-56	5/16" x 25' SC High Test Binder/Tow Chain	Bulk
085-1424-828-56	3/8" x 25' SC High Test Binder/Tow Chain	Bulk
085-1424-865-60	3/8" x 20' SC High Test Binder/Tow Chain	Bulk



Transport Tow Chain



- Clevis Hooks
- Gold Chromate Finish
- Not for Overhead Use
- Do Not Exceed Work Load Limit

Item #	Description	Std Pkg
085-3532-725-55	1/2" x 20' Grade 70 Transport Tow Chain	Bulk
085-3562-320-05	5/16" x 20' Grade 70 Transport Tow Chain	Bulk
085-3577-320-55	3/8" x 20' Grade 70 Tow Chain	Bulk
085-3582-825-05	3/8" x 25' Grade 70 Transport Tow Chain	Bulk
085-3583-520-15	3/8" x 20' Grade 70 Transport Tow Chain	Bulk

Transport Binder Chain



- Transport Binder Chain
- 38" x 20' Grade 70

Item #	Description	Std Pkg
085-3820G7TB	3/8" x 20' G70 Transport Binder Chain	Bulk

Lever Load Binder



- Red Painted finish
- Standard Lever Type
- Not for Lifting

Item #	Description	Std Pkg
085-8592-104-14	1/4" Red Lever Load Binder WLL 3150 lb	10 ea
085-8592-106-14	5/16"-3/8" Red Lever Load Binder WLL 5400 lb	5 ea
085-8592-108-14	3/8"-1/2" Red Lever Load Binder WLL 9200 lb	5 ea

Ratchet Load Binder



- Red Painted Finish
- Ratchet Style
- Not for Lifting

Item #	Description	Std Pkg
085-8592-234-14	1/4" Red Ratchet Load Binder WLL 3150 lb	10 ea
085-8592-236-14	5/16"-3/8" Red Ratchet Load Binder WLL 5400 lb	5 ea
085-8592-238-14	3/8"-1/2" Red Ratchet Binder WLL 9200 lb	5 ea
085-8592-240-14	1/2"-5/8" Red Ratchet Load Binder WLL 13000lb	2 ea

G80 Ratchet Load Binder



- Green Painted Finish
- Ratchet Style
- Not for Lifting

Item #	Description	Std Pkg
085-8592-836-14	5/16"-3/8" G80 Green Ratchet Load Binder	2 ea
085-8592-838-14	3/8"-1/2" G80 Green Ratchet Load Binder	2 ea
085-8592-840-14	1/2"-5/8" G80 Green Ratchet Load Binder	2 ea



Pryolon Plus FR Coverall



- Open wrists
- Open ankles
- Color : white
- Flame resistant
- Zipper front closure
- Oil and water repellent

Item #	Description	Std Pkg
129-07412-3XL	Pryolon Plus FR Coverall - 3XL (25ea)	1 cs
129-07412-4XL	Pryolon Plus FR Coverall - 4XL (25ea)	1 cs
129-07412-L	Pryolon Plus FR Coverall - Large (25ea)	1 cs
129-07412-M	Pryolon Plus FR Coverall - Medium (25ea)	1 cs
129-07412-XL	Pryolon Plus FR Coverall - XL (25ea)	1 cs
129-07412-XXL	Pryolon Plus FR Coverall - 2XL (25ea)	1 cs

Pryolon CRFR Suit



- Disposable
- Flame retardant
- Self-extinguishing
- Chemical resistant
- Zipper front, attached hood, elastic wrists

Item #	Description	Std Pkg
129-37414-L	0.5 Mil Pyrolon CRFR Suit - Large (12ea)	1 cs
129-37414-XL	0.5 Mil Pyrolon CRFR Suit - XL (12ea)	1 cs
129-37414-XXL	0.5 Mil Pyrolon CRFR Suit - 2XL (12ea)	1 cs



Scraper



- High carbon steel
- Double end bent scraper

Item #	Description	Std Pkg
049-392	Scraper 10-1/2" Bent	48 ea
049-393	Scraper #06000 15" Double End 1 lb	48 ea

LF Leetonia Tool

Pinch Point Bar



- 22 lbs
- Length: 64"
- Pinch point bar
- High carbon steel
- Blue painted finish
- 1 3/8" square stock

Item #	Description	Std Pkg
049-00981	22 lbs (215-22) Pinch Point Bar	2 ea



PVC Plastic Pipe Hand Saw



- Comfortable grip
- Flush cutting option
- Rubberized handles
- Cuts plastic pipe easily

Item #	Description	Std Pkg
257-20980HSF18	18" PVC Hand Saw Frame w/18" Blade TPI/10	5 ea

PVC Replacement Blade



- 10 TPI
- 18" Replacement Blade
- PVC/ABS Plastic Pipe Blade

Item #	Description	Std Pkg
257-20981HSB18	18" PVC Replacement Blade TPI/10	1 ea

High Tension Hacksaw



- Includes: 12" 24 TPI hacksaw blade
- Comfortable rubberized handles
- Holds 5 extra 12" hacksaw blades in the I-Beam
- Convert to a jab saw by using any LENOX Reciprocating saw blade to be used as a jab saw

Item #	Description	Std Pkg
257-12132HT50	12" High Tension Hacksaw HT50 50,000 PSI	1 ea

Adjustable Hacksaw



- Bi-metal blade
- High-tension 15K PSI
- Aluminum frame construction
- Ergonomic, adjustable handle
- Rubber cushion grip

Item #	Description	Std Pkg
257-1805723	1512 Adjustable Hacksaw 12" Blade	1 ea

T2 Hacksaw Blade - Medium Metal



- Bi-metal construction
- Application: Medium Metal
- Available in 18 and 24 TPI
- Available in 10", 12" and 18" lengths
- Cuts through tough metals: Black Pipe, Unistrut, Copper Pipe, Hardened Steel, Threaded Rob & Rebar

Item #	Description	Std Pkg
257-20111024HE	10" T2 Hacksaw Blade 24TPI (100pk)	1 pkg
257-20117224HE	12" T2 Hacksaw Blade 24TPI (100pk)	1 pkg
257-20141V024HE	10" T2 Hacksaw Blade 18TPI (10pk)	1 pkg
257-20145V224HE	18" T2 Hacksaw Blade 18TPI (10pk)	1 pkg

T2 Hacksaw Blade - Heavy Metal



- Bi-metal construction
- Application: Heavy Metal
- Available in 18 and 24 TPI
- Available in 10" and 12" lengths
- Cuts through tough metals: Black Pipe, Unistrut, Copper Pipe, Hardened Steel, Threaded Rob & Rebar

Item #	Description	Std Pkg
257-20110018HE	10" T2 Hacksaw Blade 18TPI (100pk)	1 pkg
257-20116218HE	12" T2 Hacksaw Blade 18TPI (100pk)	1 pkg
257-20140V018HE	12" T2 Hacksaw Blade 24TPI (100pk)	1 pkg
257-20144V218HE	10" T2 Hacksaw Blade 24TPI (10pk)	1 pkg

9pc Reciprocating Saw Blade Kit



Includes:

- (2) 656R Blade
- (2) 624R Blade
- (2) 818R Blade
- (2) 810R Blade
- (1) 960R Blade

Item #	Description	Std Pkg
257-121439KPE	9pc General Purpose Recip Saw Blade Kit	1 ea

15pc Reciprocating Saw Blade Kit



Includes:

- (5) 614R Blade
- (5) 618R Blade
- (5) 656R Blade

Item #	Description	Std Pkg
257-1073415RKG	15pc Recip Saw Blade Kit (3 Sizes/5 of each)	1 ea

5pc Reciprocating Saw Blade Kit - 1839466



Includes:

- (3) 618R Blade
- (2) 818R Blade

Item #	Description	Std Pkg
257-1839466	5pc Metal Cutting Recip Saw Blade Kit	1 ea



5pc Reciprocating Saw Blade Kit - 20502546A



- Includes:**
- 414R Blade
 - 418R Blade
 - 614R Blade
 - 618R Blade
 - 656R Blade

Item #	Description	Std Pkg
257-20502546A	5pc 4" & 6" Recip Saw Blade Assortment	1 ea

Reciprocating Saw Blades - Metal Cutting



- 5-Pack
- 18 TPI
- 6" x 3/4" x 0.35"
- Application: Metal Cutting

Item #	Description	Std Pkg
257-20566618R	6" 18 TPI Recip Saw Blades Bi-Metal	1pkg

Portable Band Saw Blades



- High speed steel teeth
- Bi-metal blades bend and resist breaking

Item #	Description	Std Pkg
257-3842438PW14	44-7/8" x 1/2" 14 TPI Band Saw Blade	25 ea
257-3842638PW24	44-7/8" x 1/2" 24 TPI Band Saw Blade	25 ea
257-8010738PW145	44-7/8" x 1/2" 14 TPI Band Saw Blade	5 ea
257-8010938PW245	44-7/8" x 1/2" 24 TPI Band Saw Blade	5 ea



Dustguard Straight Blade Plug



- 15 amp, 125 volt
- Nema 5-15R
- Industrial grade, Straight blade, Dustguard

Item #	Description	Std Pkg
152-1447	15 amp 125V Plug Male Plug	10 ea

Wetguard Straight Blade Plug



- 15 Amp, 125 Volt
- NEMA 5-15R
- Industrial grade, Straight blade, Wetguard

Item #	Description	Std Pkg
152-14W47	15 amp 125V Watertight Male Plug	10 ea

Dustguard Straight Blade Connector



- 15 Amp, 125 Volt
- NEMA 5-15R
- Industrial grade, Straight blade, Dustguard

Item #	Description	Std Pkg
152-1547	15 amp 125V Female Connector	10 ea

Wetguard Straight Blade Connector



- 15 Amp, 125 Volt
- NEMA 5-15R
- Industrial grade, Straight blade, Wetguard

Item #	Description	Std Pkg
152-15W47	15 amp 125V Watertight Female Connector	10 ea



Lewis Manufacturing Co.

Steel Tail Rope



- Flexible plastic coated cable
- One snap hook and one 3" D-ring
- Used with climbing belt fall arrest harness

Item #	Description	Std Pkg
121-20-2007	4' Steel Tail Rope TR-4-D-PC	Bulk
121-20-2011	6' Steel Tail Rope TR-6-D-PC	Bulk
121-20-2015	8' Steel Tail Rope TR-8-D-PC	Bulk
121-20-2019	10' Steel Tail Rope TR-10-D-PC	Bulk
121-20-2023	12' Steel Tail Rope TR-12-D-PC	Bulk

Safety Cable



- 36" long
- 450 lb work load
- Snap hook closures
- Galvanized steel cable

Item #	Description	Std Pkg
121-80-1007	DLSC-1 Derrick Light Safety Cable	Bulk

HD Snake Grips



- Expands or contracts to grip different or identical cable and/or rope sizes

Item #	Description	Std Pkg
121-30-3003	LSG 1/2"-1" HD Snake Grips	Bulk
121-30-3007	LSG 1 - 1-1/2" HD Snake Grips	Bulk
121-30-3009	LSG 1-1/2 - 2" HD Snake Grips	Bulk



Cotton Gloves - Knit Wrist



- 18 oz.
- Nap-in cotton double palm
- Clute pattern
- Knit wrist

Item #	Description	Std Pkg
119-4518Q-L	Cotton Double Palm w/Knit Wrist - Large	1 doz

Cotton Gloves - Red Knit Wrist



- 18 oz.
- Nap-in cotton double palm
- Clute pattern
- Red Knit wrist

Item #	Description	Std Pkg
119-4518Q/CR/R	Cotton Double Palm w/Red Knit Wrist - Large	1 doz



Pistol Grip Grease Gun



- 5" extension with coupler
- Rugged cast pump head
- Extra-heavy follower spring
- Jam-proof toggle mechanism
- Precision fit and hardened plunger
- Follower rod locks into follower to force prime

Item #	Description	Std Pkg
116-1132	Gun Pistol Grip	10 ea

Pistol Grip Grease Gun w/ Hose



- 18" whip hose with coupler
- Rugged cast pump head
- Jam-proof toggle mechanism
- Extra-heavy follower spring
- Precision fit and hardened plunger
- Follower rod locks into follower to force prime

Item #	Description	Std Pkg
116-1133	Pistol Grip Grease Gun w/18" Hose & Coupler	10 ea

HD Pistol Grip Grease Gun



- 6" rigid tube
- 18" whip hose with coupler
- Rugged cast pump head
- Extra-heavy follower spring
- Precision fit and hardened plunger

Item #	Description	Std Pkg
116-1134	HD Grease Gun Pistol Grip	10 ea

Heavy Duty Pistol Grip Grease Gun



- Pistol Grip
- Die-cast aluminum pump head
- Flex hose – 18" length

Item #	Description	Std Pkg
116-G113	Heavy Duty Pistol Grip Grease Gun	1 ea

Lever Grease Gun



- 6" extension and coupler
- Rugged cast pump head
- Extra-heavy follower spring
- Follower rod locks into follower to force prime

Item #	Description	Std Pkg
116-1142	Grease Gun	10 ea

Lever Grease Gun w/ Hose



- 18" whip hose and coupler
- Rugged cast pump head
- Extra-heavy follower spring
- Jam-proof toggle mechanism
- Precision fit and hardened plunger
- Follower rod locks into follower to force prime

Item #	Description	Std Pkg
116-1147	Gun w/18" Hose	1 ea

Air Operated Grease Gun



- 30" high-pressure Hose with coupler
- Variable-speed trigger
- Fully-automatic, air-powered
- Ergonomic styling provides comfort and balance
- Ensures uninterrupted grease flow

Item #	Description	Std Pkg
116-1162	Air Operated Grease Gun	1 ea

1242 Battery Powered Grease Gun



- 12 volt motor
- 110 volt fast charger
- Grease flow at up to 6000 PSI
- Includes custom carrying case
- 30" flex hose with spring guard
- High-capacity 12 volt NiCad battery

Item #	Description	Std Pkg
116-1242	PowerLuber 12v Grease Gun w/1 Battery	1 ea

1244 Battery Powered Grease Gun



- 12 volt motor, 110 volt fast charger
- Custom carrying case
- Two 12 volt NiCad battery
- 2" needle bearing final drive
- Grease flow at up to 6000 PSI
- 30" flex hose with spring guard

Item #	Description	Std Pkg
116-1244	PowerLuber 12v Grease Gun w/ 2 Batteries	1 ea



1844 Battery Powered Grease Gun



- 18-volt high-capacity
- 2-speed transmission
- Custom carrying case
- Dual overload protection
- New heavy-duty high-torque motor

Item #	Description	Std Pkg
116-1844	18 Volt Grease Gun w/Case & Battery	1 ea

Hand Pump



- 2" bung opening
- Neoprene seals resist wear
- 8' hose with discharge nozzle
- Fits drum size 16 to 55 gallon
- Double acting diaphragm delivers one full gallon per eight strokes

Item #	Description	Std Pkg
116-1326	Transfer Hand Pump Hi Volume	1 ea

Assorted Grease Fittings



Contains:

- (6) 1/8 NPT straight
- (3) 1/8 NPT 45° angle
- (3) 1/8 NPT 90° angle
- (6) 1/4-28 straight, short thread
- (3) 1/4-28 45° angle, short thread
- (3) 1/4-28 90° angle, short thread

Item #	Description	Std Pkg
116-5470	24 pc Assorted Grease Fittings	1 ea

Buttonhead Coupler



- 4000 PSI
- 7/8" button head coupler
- For pull-on, push-on or hook-on service

Item #	Description	Std Pkg
116-80933	Button Head Coupler	Bulk

Grease Coupler



- 6000 PSI max operating pressure
- Built-in ball check
- Small outside diameter with replaceable hardened steel jaws

Item #	Description	Std Pkg
116-5852	Grease Gun Coupler	2 ea

Extension Hose



- Coil spring provides non-slip, push-pull grip
- 4500 PSI Maximum working pressure
- Use with hand or power grease guns
- Coil spring prevents hose kinking
- Standard 1/8" NPT threads

Item #	Description	Std Pkg
116-5812	12" Extension Hose	10 ea
116-5818	18" Extension Hose	10 ea

1.8" Whip Hose Assembly

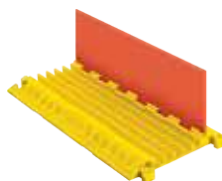


- Maximum working pressure: 4500 PSI
- Thread size: 1/8" NPT
- Whip hose: 5818/18"
- Coupler: 5845

Item #	Description	Std Pkg
116-81725	18" Whip Hose Assembly	10 ea



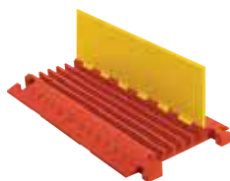
5-Channel Cable Protector - General Purpose



- Protects cables & hoses
- Reinforced hinged lid
- T-Connectors to extend to any length

Item #	Description	Std Pkg
120-CP5X125-GP-O/Y	5-Channel General Purpose Cable Protector	1 ea

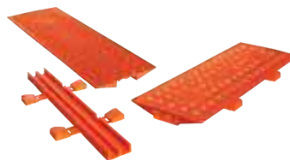
5-Channel Cable Protector - Heavy Duty



- Protects cables & hoses
- Reinforced hinged lid
- T-Connectors to extend to any length

Item #	Description	Std Pkg
120-CP5X125-Y/O	5-Channel Heavy Duty Cable Protector	1 ea

Cable Bridge - General Purpose



- Protects cables & hose lines
- All weather polyurethane with heavy load capacity

Item #	Description	Std Pkg
120-CL2X150-5GP-O	Cable Bridge For General Purpose 5-Channel	1 ea

LINEBACKER. CABLE MANAGEMENT

5-Channel End Caps



- All-Weather polyurethane
- Protects cables and hoses
- Sold in pairs only (male & female)

Item #	Description	Std Pkg
120-CPEC5X125-GP-0	5-Channel End Caps General Purpose	1 ea

5-Channel End Caps - Heavy Duty



- All-weather polyurethane
- Protects cables and hoses
- Sold in pairs only (male & female)

Item #	Description	Std Pkg
120-CPEC5X125-0	5-Channel End Caps Heavy Duty	1 ea

5-Channel - Left Turn



- Creates a 45° left turn
- Protects cables and hoses
- T-Connectors to extend to any length

Item #	Description	Std Pkg
120-CPT5X125-L-Y/O	5-Channel Heavy Duty Left Turn	1 ea

5-Channel - Right Turn



- Creates a 45 degree right turn
- Protects cables and hoses
- T-Connectors to extend to any length

Item #	Description	Std Pkg
120-CPT5X125-R-Y/O	5-Channel Heavy Duty Right Turn	1 ea

5-Channel - 45° Y Protector



- Creates a 45 degree "Y" protector
- Protects cables and hoses
- T-Connectors to extend to any length

Item #	Description	Std Pkg
120-CPY5X125-GP	45 Degree "Y" 5-Channel General Purpose	1 ea



4 oz Penetrating Oil



- Low odor, 0% VOC
- Frees stuck nuts, bolts, and locks
- Dissolves rust and cuts through grease
- Safe on painted surfaces, plastic & PVC
- Made in the USA

Item #	Description	Std Pkg
038-L1-04	4 oz PVC Bottle Penetrating Oil	12 ea

6 oz Penetrating Oil



- Low odor, 0% VOC
- Frees stuck nuts, bolts, and locks
- Dissolves rust and cuts through grease
- Safe on painted surfaces, plastic & PVC
- Made in the USA

Item #	Description	Std Pkg
038-L1-06	6 oz Aerosol Penetrating Oil	12 ea

16 oz Penetrating Oil



- Low odor, 0% VOC
- Frees stuck nuts, bolts, and locks
- Dissolves rust and cuts through grease
- Safe on painted surfaces, plastic & PVC
- Made in the USA

Item #	Description	Std Pkg
038-L1-16	16 oz Plastic Bottle Penetrating Oil	12 ea

11 oz Penetrating Oil



- Low odor, 0% VOC
- Frees stuck nuts, bolts, and locks
- Dissolves rust and cuts through grease
- Safe on painted surfaces, plastic & PVC
- Made in the USA

Item #	Description	Std Pkg
038-L1-12	11 oz Aerosol Penetrating Oil	12 ea

Lubricating Oil



- Stops squeaks
- Displaces moisture
- Lubricates and protects
- Prevents rust and corrosion
- Contains a precision spray straw

Item #	Description	Std Pkg
038-L2-12	11 oz Lubricating Oil	12 ea

Chain & Cable Lube



- Prevents oxidation
- Prevents corrosion
- Apply to any chain or wire cable
- Contains anti-wear additives and synthetic moly
- Anti-sling formula quiets noise and reduces wear

Item #	Description	Std Pkg
038-L711	11 oz Universal Chain & Cable Lube	12 ea

Hydraulic Jack Oil



- ISO rating is 22-32
- For use in all hydraulic jacks
- The SAE viscosity grade is 10W
- Temp Range is from -22°F to 284°F
- Formulated with extreme pressure additives

Item #	Description	Std Pkg
038-M3312	12 oz Hydraulic Jack Oil	12 ea



White Lithium Grease



- Sprays on easily
- Inhibits corrosion
- Will not melt, run or freeze
- Sets up as a lubricating grease
- Protects against rust and corrosion
- Reduces friction in all metal to metal applications
- Reduces friction in all metal to plastic applications

Item #	Description	Std Pkg
038-L616	10 oz White Lithium Grease	12 ea

Silicone Spray



- Eliminates squeaks
- Compatible with all plastic and wood
- Compatible with all metals and rubber
- Waterproofs, rust proofs and lubricates

Item #	Description	Std Pkg
038-M914	11 oz Aerosol Silicone Spray	12 ea



Time Delay Fuse



- Dual element
- Time-delayed
- Class RK5 fuse
- 600 VAC / 300 VDC
- Protection for all types of circuits
- Overload and short circuit protection

Item #	Description	Std Pkg
177-FLSR10	10 amp 600V RK5 Time Delay Fuse	10 ea
177-FLSR12	12 amp 600V RK5 Time Delay Fuse	10 ea
177-FLSR15	15 amp 600V RK5 Time Delay Fuse	10 ea
177-FLSR17.5	17.5 amp 600V RK5 Time Delay Fuse	10 ea
177-FLSR20	20 amp 600V RK5 Time Delay Fuse	10 ea
177-FLSR25	25 amp 600V RK5 Time Delay Fuse	10 ea
177-FLSR30	30 amp 600V RK5 Time Delay Fuse	10 ea
177-FLSR35	35 amp 600V RK5 Time Delay Fuse	10 ea
177-FLSR40	40 amp 600V RK5 Time Delay Fuse	10 ea
177-FLSR45	45 amp 600V RK5 Time Delay Fuse	10 ea
177-FLSR50	50 amp 600V RK5 Time Delay Fuse	10 ea
177-FLSR60	60 amp 600V RK5 Time Delay Fuse	10 ea
177-FLSR70	70 amp 600V RK5 Time Delay Fuse	10 ea

"LITTLE JOE" Wipers

Gauge Line Wiper



- Material: Aluminum
- Light weight die cast aluminum alloy
- Stainless steel screws, nuts & heavy duty pivot pin

Item #	Description	Std Pkg
020-LITTLEJOE	Joe's Gauge Line Wiper	Bulk
020-RUBBER/HDWE	Joe's Nitrile Rubber Cylinder w/Core Screw & Nut	Bulk



Greaseless Lubricant



- Displaces moisture
- Ideal for delicate mechanisms
- Resists oil, dust, and dirt build-up
- Provides a dry, thin, lubricating film
- Removes carbon build-up from surfaces

Item #	Description	Std Pkg
199-00116	16 oz #1 Premium Lubricant	12 ea

Greaseless Premium Lubricant



- Displaces moisture
- Ideal for delicate mechanisms
- Resists oil, dust, and dirt build-up
- Provides a dry, thin, lubricating film
- Removes carbon build-up from surfaces

Item #	Description	Std Pkg
199-01128	1 gal #1 Premium Lubricant/Penetrant	1 ea

Heavy-Duty Lubricant



- Loosens rusted or frozen parts
- Use on indoor/outdoor equipment
- Provides a non-drying, light, oily film
- Strong, multi-purpose lubricant, and penetrant
- Strong, multi-purpose lubricant and penetrant

Item #	Description	Std Pkg
199-00216	11 oz #2 Heavy-Duty Lubricant	12 ea

Heavy-Duty Lubricant - 1 gal



- Loosens rusted or frozen parts
- Use on indoor/outdoor equipment
- Provides a non-drying, light, oily film
- Strong, multi-purpose lubricant, and penetrant
- Strong, multi-purpose lubricant and penetrant

Item #	Description	Std Pkg
199-02128	1 gal #2 Heavy-Duty Lubricant	4 ea



Heavy-Duty Silicone Lubricant



- Provides excellent lubricity
- Water-based, silicone rich formula
- Eliminates sticking, binding, squeaking
- Forms a clear, dry film upon extended drying
- Ideal for surfaces like elastomers and plastics
- Lubricates and protects rubber, plastic and metal parts

Item #	Description	Std Pkg
199-01516	16 oz Heavy-Duty Silicone Lubricant	12 ea

Heavy Duty Lubricant - 00205



- Loosens rusted or frozen parts
- Provides a non-drying, light, oily film
- Strong, multi-purpose lubricant and penetrant
- Reduces wear caused by friction and corrosion
- Provides up to 1 year of corrosion protection on steel parts

Item #	Description	Std Pkg
199-00205	5 gal 2 Heavy-Duty Lubricant	1 ea

TKX All-Purpose Lubricant



- Non-conductive
- Displaces moisture
- Protects against corrosion
- Loosens rusted or frozen parts
- Excellent multi-purpose lubricant
- Provides a non-drying, long lasting, oily film

Item #	Description	Std Pkg
199-02016	16 oz TKX All-Purpose Lubricant	12 ea

Force 842 Dry Moly Lubricant



- Resists dust and dirt
- Prevents seizure of parts
- Provides a quick drying, thin film
- For assembly and break-in lubrication
- Works under high temperatures 842°F

Item #	Description	Std Pkg
199-02516	16 oz Force 842 Dry Moly Lubricant	12 ea

KB-88 Penetrant



- Displaces moisture
- Aggressive formula
- Quickly releases rusted and corroded nuts, bolts, hinges, and other frozen components

Item #	Description	Std Pkg
199-02316	16 oz KB-88 Penetrant Fill Meets CA VOC	12 ea

Premier Rust Inhibitor



- Safe on all metals
- Self-healing, soft, waxy film
- Prevents rust and corrosion
- Provides non-sling lubrication
- Safe to use on rubber, fabric, plastics, and paints

Item #	Description	Std Pkg
199-00316	16 oz #3 Premier Rust Inhibitor	12 ea

Premier Rust Inhibitor - 1 gal



- Safe on all metals
- Self-healing, soft, waxy film
- Prevents rust and corrosion
- Provides non-sling lubrication
- Safe on rubber, fabric, plastics, and paints

Item #	Description	Std Pkg
199-03128	1 gal #3 Premier Corrosion/Rust Inhibitor	4 ea

Instant Super Degreaser



- Non-flammable
- Safe on all metals
- No chlorinated solvents
- Rapidly evaporates, leaving no residue
- Excellent degreaser for removing greases and oils

Item #	Description	Std Pkg
199-00720	20 oz Instant Super Degreaser	12 ea

HDX Heavy-Duty Degreaser



- Non-flammable
- Non-conductive
- Fast evaporating
- Leaves no residue
- Heavy-duty action
- Removes oil, grease, wax, dirt, moisture, tar

Item #	Description	Std Pkg
199-01020	20 oz HDX Heavy-Duty NF Degreaser	12 ea

PreSolve Orange Degreaser



- Cleans on contact
- Controlled evaporation
- Fast acting, deep penetration
- High performance industrial cleaner
- Safe on all metals and most plastics
- Ideal for removing grease, tars, and oils

Item #	Description	Std Pkg
199-01420	20 oz PreSolve Orange Degreaser	12 ea



ZeroTri Heavy-Duty Degreaser



- NSF® Certified
- No chlorinated solvents
- Instant degreasing action
- Ideal for degreasing metals
- Rapidly evaporates, leaving no residue

Item #	Description	Std Pkg
199-03520	20 oz Zero Tri Heavy-Duty Degreaser	12 ea

A-151 Solvent Degreaser



- Controlled evaporation
- High flash point 158°F
- Contains no chlorinated solvents
- Removes oil, grease and other contaminants
- Ideal for parts washers, dip tanks, and ultrasonic cleaners

Item #	Description	Std Pkg
199-04320	20 oz A-151 Solvent/Degreaser Meets CA VOC	12 ea

Electro Contact Cleaner



- Safe on plastics
- Does not contain HCFC's
- Ideal for electronic and fine parts
- Non-flammable, fast evaporating
- Removes light greases, oils, dirt, and organic soils

Item #	Description	Std Pkg
199-00416	14 oz LPS Electro Contact Cleaner	12 ea

Electra-X Contact Cleaner



- Quick penetration
- No chlorinated solvents
- Does not contain HCFCs
- Ideal for electronic and fine parts
- Removes light greases, oils, dirt, and organic soils

Item #	Description	Std Pkg
199-00816	16 oz Electra-X Contact Cleaner	12 ea

CFC Free Electro Contact Cleaner



- Low odor
- Safe on plastics
- Penetrating action
- Removes oil, grease, dirt & flux
- Fast evaporating, leaves no residue
- Cleans and degreases delicate precision mechanisms

Item #	Description	Std Pkg
199-03101	1 gal CFC Free Electronic Cleaner	4 ea
199-03116	16 oz CFC Free Electro Contact Cleaner	12 ea

CFC Free Premium Contact Cleaner



- Low odor
- Safe on plastics
- Penetrating action
- Removes oil, grease, dirt & flux
- Fast evaporating, leaves no residue
- Cleans and degreases delicate precision mechanisms

Item #	Description	Std Pkg
199-03155	55 gal CFC Free Electro Contact Cleaner	1 ea

NoFlash Electro Contact Cleaner



- Non-flammable
- NSF® Certified
- Quick penetration
- Safe to use on most surfaces
- Harmful to some plastics
- Unique alternative to HCFC cleaners

Item #	Description	Std Pkg
199-04016	16 oz NoFlash Electro Contact Cleaner	12 ea

Micro-X Fast Evaporating Contact Cleaner



- Safe on plastics
- NSF® Certified
- Quick penetration
- Does not contain HCFCs
- No rinsing, fast evaporating, leaves no residue

Item #	Description	Std Pkg
199-04516	16 oz Micro-X Fast-Evaporating Contact Cleaner	12 ea

TriFree Brake Cleaner



- No chlorinated solvents
- Powerful jet spray
- Helps stop disc brake squeal
- Improves brake performance
- Instant degreasing action
- Heavy-duty performance

Item #	Description	Std Pkg
199-03620	20 oz TriFree Brake Cleaner	12 ea

Red & Redi Multi-Purpose Red Grease



- Meets NLGI 2
- No chlorinated solvents
- Reduces friction and vibration
- Red color allows easy visual inspection
- Remains effective at extremely high temperatures 450°F

Item #	Description	Std Pkg
199-05816	11 oz Red & Redi Multi-Purpose Grease	12 ea



White Lithium Grease w/ PTFE



- Meets NLGI 2
- No chlorinated solvents
- Provides maximum lubrication
- Rapidly forms into a pure white grease
- Rust and oxidation inhibitors protect metal

Item #	Description	Std Pkg
199-03816	16 oz White Lithium Grease w/PTFE	12 ea

ThermaPlex Hi-Temp Bearing Grease



- Ensures optimal production rates
- Very high dropping point
- Extends relubrication intervals
- Resists carbonization at high temperatures
- Excellent high temperature performance
- Reduces risk of bearing failure at high temperatures

Item #	Description	Std Pkg
199-70214	14.1 oz Thermaplex Hi-Temp Grease	10 ea

Cold Galvanize Corrosion Inhibitor



- Zinc-rich galvanized coating
- Withstands water temperature up to 212°F
- Used as a flash rust preventive on welded areas
- Flexible coating will not yellow, chalk, crack, or peel
- Works like a hot-dip on ferrous metals indoors and out

Item #	Description	Std Pkg
199-00516	16 oz Cold Galvanize Corrosion Inhibitor	12 ea

Tapmatic Cutting Fluid



- Reduces cutting torque
- Improves cutting efficiency
- Does not contain chlorinated paraffins
- Increases tool life and improves surface finish
- Does not contain water, solvents, or inactive fillers
- Requires less product usage than traditional cutting fluids

Item #	Description	Std Pkg
199-40320	16 oz Tapmatic #1 Cutting Fluid	12 ea

QB Precision Duster



- Moisture free
- Quick blast precision duster
- Nonflammable, odorless, and leaves no residue
- Removes contaminants, dirt, dust, and other soils
- Excellent for use on electronics and delicate mechanisms

Item #	Description	Std Pkg
199-05710	10 oz QB Precision Duster	12 ea



No. 105 Grease - 004



- A smooth, light bodied, grease for engine bearings, cylinder walls, and other moving internal engine parts

Item #	Description	Std Pkg
069-L0034-004	105 Motor Assembly Grease 16 oz Plastic Tub	12 ea

No. 105 Grease - 035



- A smooth, light bodied, grease for engine bearings, cylinder walls, and other moving internal engine parts

Item #	Description	Std Pkg
069-L0034-035	35 lb 105 Motor Assembly Grease Pail	1 pail

No. 105 Grease - 086



- A smooth, light bodied, grease for engine bearings, cylinder walls, and other moving internal engine parts

Item #	Description	Std Pkg
069-L0034-086	1-3/4 oz 105 Motor Grease Tube	36 ea

No. 105 Grease - 092



- A smooth, light bodied, grease for engine bearings, cylinder walls, and other moving internal engine parts

Item #	Description	Std Pkg
069-L0034-092	10 oz C-105 Gear Lube Tube	36 ea

No. 105 Grease - 094



- A smooth, light bodied, grease for engine bearings, cylinder walls, and other moving internal engine parts

Item #	Description	Std Pkg
069-L0034-094	10 oz 105 Motor Assembly Grease Tubes	24 ea

No. 630-AA Grease - 004



Item #	Description	Std Pkg
069-L0067-004	630-AA 16 oz Tubs	12 ea



No. 630-AA Grease - 035



- High film strength, resistance to water, steam and other adverse conditions
- Available in 4 NLGI densities for a variety of applications
- Capable of withstanding extreme pressure

Item #	Description	Std Pkg
069-L0067-035	35 lb 630-AA Pail	1 pail

No. 630-AA Grease - 086



- High film strength, resistance to water, steam and other adverse conditions
- Available in 4 NLGI densities for a variety of applications
- Capable of withstanding extreme pressure

Item #	Description	Std Pkg
069-L0067-086	1-3/4 oz 630-AA Lithium Base MP Tube	36 ea

No. 630-AA Grease - 092



- High film strength, resistance to water, steam and other adverse conditions
- Available in 4 NLGI densities for a variety of applications
- Capable of withstanding extreme pressure

Item #	Description	Std Pkg
069-L0067-092	10 oz 630-AA Lithium Base MP Tube	24 ea

No. 630-2 Grease - 098



- Multi-purpose lithium-based grease

Item #	Description	Std Pkg
069-L0072-098	14.5 oz 630-2 Cartridge	40 ea

No. 730-2 Grease - 098



- High performance, aluminum complex grease

Item #	Description	Std Pkg
069-L0085-098	14.5 oz 730-2 Cartridges	24 ea

No. 930-AA Grease - 004



- Multi-Purpose Bentone-based grease

Item #	Description	Std Pkg
069-L0096-004	930-AA 16 oz Tub	12 ea

No. 930-AA Grease - 035



- Multi-Purpose Bentone-based grease

Item #	Description	Std Pkg
069-L0096-035	35 lb 930-AA Pail	1 pail

No. 930-AA Grease - 098



- Multi-Purpose Bentone-based grease

Item #	Description	Std Pkg
069-L0096-098	14.5 oz 930-AA Cartridge	40 ea

No. 930-2 Grease - 098



- Multi-Purpose Bentone-based grease

Item #	Description	Std Pkg
069-L0100-098	14.5 oz 930-2 Ctn Cartridges	24 ea

No. 1200-2 Grease - 098



- Provides a high film strength, great shear stability, anti-wear and extreme pressure additives

Item #	Description	Std Pkg
069-L0102-098	14.5 oz 1200-2 White Lithium Cartridge	40 ea

No. 1242 Grease - 004



Item #	Description	Std Pkg
069-L0106-004	1242 16 oz Tubs	12 ea

No. 1552 Grease - 035



- Lithium complex grease
- Rust & corrosion resistant
- High anti-wear film protection

Item #	Description	Std Pkg
069-L0166-035	1552 35 lb Pail	1 ea



No. 3000 Grease - 098



- Tacky, moly-lithium type, extreme pressure grease

Item #	Description	Std Pkg
069-L0108-098	14.5 oz 3000 w/Graphite Cartridges	12 ea

Chain & Cable Fluid - 063



- Superior penetrating oil
- Prevents rust and corrosion
- A cleansing non-gumming oil
- Lubricates wire rope, chains, cables, any moving metal surfaces

Item #	Description	Std Pkg
069-L0135-063	12 oz Chain & Cable Fluid Spray	12 ea

Gear Shield X-Heavy - 035



- Extra Heavy, Multi-Purpose, Lithium-Based
- Made for all types of open/exposed gears
- Open Gear Grease

Item #	Description	Std Pkg
069-L0152-035	35 lb Gear Shield X-heavy Pail	1 pail

Gear Shield X-Heavy - 063



- Extra Heavy, Multi-Purpose, Lithium-Based
- Made for all types of open/exposed gears
- Open Gear Grease

Item #	Description	Std Pkg
069-L0152-063	11 oz Gear Shield X-Heavy	12 ea

High Temp Grease



- Multi-Purpose, high temperature grease
- Workable with frequent lube intervals
- Non-melt type

Item #	Description	Std Pkg
069-L0161-098	14.5 oz High Temp Cartridge	40 ea

Low Temp Grease



- Multi-Purpose, low temperature grease
- Workable with frequent lube intervals
- Non-melt type

Item #	Description	Std Pkg
069-L0172-098	14.5 oz Low Temp MP Anhydrous Calcium Base	40 ea

MAG-1 Polymer



- Designed to provide lubrication over a wide temperature range from -60°F to +300°F. Lubriplate Mag-1 is a polymer type lubricant for both plain and anti-friction bearings, gears, cams and slides that will provide long service over a wide temperature range

Item #	Description	Std Pkg
069-L0189-098	14.5 oz MAG-1 Lithium Polymer Type	40 ea

No. 1444 Grease



- Tacky, Aluminum Complex Type Grease

Item #	Description	Std Pkg
069-L0227-098	14.5 oz 1444 Cartridges	40 ea

SYN-EMB Synthetic Grease



- Lithium Complex
- 2 NLGI Grade
- Minimum temperature of -40°F
- Maximum temperature of 400°F

Item #	Description	Std Pkg
069-L0335-098	14 oz SYN-EMB Synthetic Grease	40 ea

No. 2 MO-LITH Grease - 098



- Multipurpose Grease
- Extreme Pressure
- Lithium Composition
- 2 NLGI Grade

Item #	Description	Std Pkg
069-L0180-098	No 2 Mo-Lith 14.5 oz Cart	40 ea



Spray Lube A - White Lithium Grease



Item #	Description	Std Pkg
069-L0034-063	11 oz Spray Lube A Can	12 ea

Food Grade Mineral Oil



- 46 ISO Grade
- 103 Viscosity Index
- Flash point of 455° F
- Fire point of 490° F
- NSF H-1 Registered
- Food Grade Lubricant

Item #	Description	Std Pkg
069-L0881-057	1 gal FMO-200 AW Food Grade Mineral Oil	4 gal



Hi-Viz Fiberglass Tape Measure



- Blade style C1
- Hi-viz® orange case
- Feet and inches graduated to 8ths
- Open four-arm frame design protects blade
- Folding end hook for true-zero measurements



Item #	Description	Std Pkg
015-FE050	1/2" x 50' Hi-Viz Fiberglass Tape Feet & Inches	6 ea
015-FE100	1/2" x 100' Hi-Viz Fiberglass Tape	6 ea
015-FE150	1/2" x 150' Hi-Viz Orange Fiberglass Tape	2 ea
015-FE200	1/2" x 200' Hi-Viz Fiberglass Tape	2 ea
015-FE300	1/2" x 300' Hi-Viz Fiberglass Tape	2 ea

Engineers Hi-Viz Fiberglass Tape Measure



- Blade style C2
- Hi-viz® orange case
- Engineer's blade - 10ths and 100ths of ft.
- Open four-arm frame design protects blade
- Folding end hook for true-zero measurements



Item #	Description	Std Pkg
015-FE050D	1/2" x 50' Engineers Hi-Viz Fiberglass Tape	6 ea
015-FE100D	1/2" x 100' Engineers Hi-Viz Fiberglass Tape	6 ea
015-FE150D	1/2" x 150' Open Reel Tape	2 ea
015-FE200D	1/2" x 200' Engineers Hi-Viz Fiberglass Tape	2 ea
015-FE300D	1/2" x 300' Engineers Hi-Viz Fiberglass Tape	2 ea

Pro Series Ny-Clad Steel Tape Measure



- Durable nylon coating on blade
- Super fast 3-to-1 blade retraction
- Engineers' scale - 10ths & 100ths of feet
- Steel blade won't stretch under normal use



Item #	Description	Std Pkg
015-PS1806DN	1/2" x 100' 10th Tape Engineers Pro Series Hi-Viz w/Nyclad Yellow Steel Blade	4 ea

Hi-Viz Engineers Tape Measure



- 1/2" wide fiberglass tape is encapsulated in flexible plastic
- Easy-to-read black, red markings, yellow background
- Lightweight high impact abs case
- Blade style: C2

Item #	Description	Std Pkg
015-703D	1/2" x 50' Engineers Hi-Viz Linear Fiberglass Tape	1 ea
015-706D	100' Hi-Viz Fiberglass Linear Tape Measure	1 ea

Anchor Chrome Clad Tape Measure



- Blade style: B7
- Chrome clad® blade
- Vinyl-covered steel case
- Large easy-action winding drum and friction washers
- Nylon roller guides the tape smoothly in and out of case



Item #	Description	Std Pkg
015-C213	3/8" x 50' Tape Measure	1 ea
015-C213CN	3/8" x 600" Measuring Tape	1 ea

Steel Yellow Clad Tape Measure



- Blade style: B5
- Rugged, vinyl-covered steel case
- Yellow clad tape; 3/8" wide and .008" thick
- Bold graduations with black and red numbers



Item #	Description	Std Pkg
015-HW100	3/8" x 100' Steel Case Tape Measure	6 ea

Engineers Anchor Tape Measure



- Blade style: B5
- Chrome clad® blade
- Vinyl-covered steel case
- Large easy-action winding drum and friction washers



Item #	Description	Std Pkg
015-C213D	3/8" x 50' 10th Tape Measure	1 ea
015-C216D	3/8" x 100' 10th Tape Measure	1 ea



Engineers Banner Tape Measure



- Blade style: B5
- Rugged, vinyl-covered steel case
- Yellow clad tape; 3/8" wide and .008" thick
- Bold graduations with black and red numbers

Item #	Description	Std Pkg
015-HW223D	3/8" x 50' Engineer Tape Measure	1 ea
015-HW226D	3/8" x 100' Engineer Tape Measure	1 ea

Autolock Linear Tape Measure



- Automatic blade lock
- Recessed lock release
- Steel reinforced end hook
- Non-slip co-molded rubber grip
- Durable clearcoat blade protection

Item #	Description	Std Pkg
015-AL725	1" x 25' Autolock 700 Series	8 ea

P2000 Engineers Power Tape Measure



- Lightweight, high strength chrome finished case
- Toggle lock positioned, holds blade securely
- Cushioned blade return
- Removable belt clip
- Blade style: A7

Item #	Description	Std Pkg
015-P2212X	1/2" x 12' Power Return Tape Measure	1 ea

Hi-Viz Value Tape Measure



- Blade style: A5
- Hi-viz® orange case
- Unique slide lock design
- Clear coat blade protection
- Easy-to-read yellow clad blade

Item #	Description	Std Pkg
015-L625	1" x 25' Hi-Viz Orange Power Return Tape	1 ea

700 Series Magnetic End Tape Measure



- Magnetic end hook
- Powerful dual magnets can also serve as a pick-up tool
- Non-slip co-molded rubber grip
- Non-slip rubber blade lock button

Item #	Description	Std Pkg
015-L725MAG	1" x 25' 700 Series Magnetic End Tape Measure	8 ea

Quikread Power Return Tape Measure



- Graduations printed in fractions and decimal equivalents
- Positive toggle lock holds blade securely
- Built in bumper reduces shock
- Self-compensating end hook
- Rubber cushion case
- Blade style: A3

Item #	Description	Std Pkg
015-PQR1312	3/4" x 12' Hi-Viz Orange Power Tape Measure	6 ea
015-PQR1316	3/4" x 16' Quick Read Tape Measure	6 ea
015-PQR1425	1" x 25' Quick Read Tape Measure	6 ea

P2000 Engineers Tape Measure



- Lightweight, high strength chrome finished case
- Toggle lock positioned, holds blade securely
- Cushioned blade return
- Removable belt clip
- Blade style: A4

Item #	Description	Std Pkg
015-P2133D	1" x 33' Engineers Series 2000	6 ea
015-P2312D	3/4" x 12' Engineers Tape Series 2000	6 ea

P2000 Tape Measure



- Lightweight, high strength chrome finished case
- Toggle lock positioned, holds blade securely
- Cushioned blade return
- Removable belt clip
- Blade style: A5

Item #	Description	Std Pkg
015-P2125	1" x 25' Tape Measure Series 2000	6 ea
015-P2133	1" x 33' Tape Measure Series 2000	6 ea
015-P2312	3/4" x 12' Tape Measure Series 2000	6 ea
015-P2316	3/4" x 16' Tape Measure Series 2000	6 ea

Hi-Viz P1000 Tape Measure



- Toggle lock holds the blade securely
- Cushioned blade return
- Hi-viz® orange case
- Rubber cushion case
- Removable belt clip
- Blade style: A2

Item #	Description	Std Pkg
015-PHV1312	3/4" x 12' Hi-Viz Orange Power Tape Measure	6 ea
015-PHV1316	3/4" x 16' Hi-Viz Orange Power Tape Measure	6 ea
015-PHV1425	1" x 25' Orange Power Tape Measure	6 ea
015-PHV1430	1" x 30' Orange Power Tape Measure	6 ea
015-PHV1433	1" x 33' Hi-Viz Tape Measure	6 ea



Hi-Viz P1000 Engineers Tape Measure



- Toggle lock holds the blade securely
- Cushioned blade return
- Hi-viz® orange case
- Rubber cushion case
- Removable belt clip
- Blade style: A4

Item #	Description	Std Pkg
015-PHV1312D	3/4" x 12' Hi-Viz Orange Power Tape Measure	6 ea
015-PHV1425D	1" x 25' Hi-Viz Eng. Orange Power Tape Measure	6 ea
015-PHV1433DM	1" x 33' Hi-Viz Orange 1000 Tape Measure	6 ea

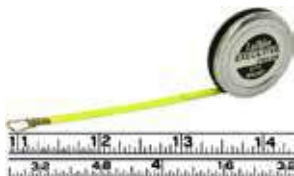
Mezurall Power Return



- Power retraction operation
- Chrome plated case
- Yellow clad blade
- Blade style: A4
- Belt clip

Item #	Description	Std Pkg
015-W9312D	3/4" x 12" Mezurall Power Tape Measure	6 ea

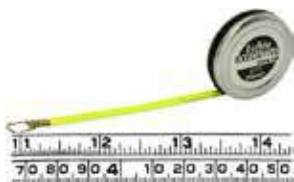
Pocket Tape Measure - Inches



- Conversion from diameter to circumference, turn the blade
- Polished chrome case and blade style: A18
- Shows diameter inches to 1/64ths

Item #	Description	Std Pkg
015-W606P	Short Executive Diameter Tape Measure	6 ea

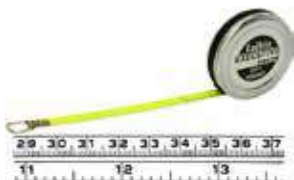
Pocket Tape Measure - To 100ths



- Conversion from diameter to circumference, turn the blade
- Polished chrome case and blade style: A19
- Shows diameter inches to 100ths

Item #	Description	Std Pkg
015-W606PD	1/4" x 6' Executive Diameter Pocket Tape	6 ea

Pocket Tape Measure - Millimeters



- Conversion from diameter to circumference, turn the blade
- Polished chrome case and blade style: A20
- Shows diameter inches to millimeters

Item #	Description	Std Pkg
015-W606PM	6 mm x 2 m Executive Diameter Pocket Tape	6 ea

Professional Measuring Wheel



- Hi-Viz orange
- Heavy duty counter reset
- Over-mold pistol grip handle
- Easy-read non-glare counter
- Measurements presented in feet
- Bolstered folding joint allows for compact storage

Item #	Description	Std Pkg
015-PSMW48N	12" Professional Measuring Wheel - SAE	1 ea

590 Brass Plumb Bob



- 20 oz. Solid brass plumb bob
- Tapered point tip

Item #	Description	Std Pkg
015-590	20 oz Solid Brass Plumb Bob - Inage	12 ea

590G Brass Plumb Bob



- 20 oz. Solid brass bob with blunt, tapered point tip
- Graduated in inches to 1/8ths

Item #	Description	Std Pkg
015-590G	20 oz Solid Brass Plumb Bob - Inches	12 ea

590GM Brass Plumb Bob



- 20 oz. Solid brass bob with tapered point tip
- Graduated millimeters with centimeters numbered

Item #	Description	Std Pkg
015-590GM	20 oz Solid Brass Plumb Bob - Mill & Cent	12 ea

Atlas Nubian Oil Gauging Tape



- Heavy-Duty Frame Includes Grounding Strap
- Blade Style: D5

Item #	Description	Std Pkg
015-1290S	1/2" x 25' Nubian Oil Gauging Tape Atlas	1 ea
015-1293S	1/2" x 50' Nubian Oil Gauging Tape Atlas	1 ea



Atlas Chrome Clad Oil Gauging Tape



- Provides greater resistance to wear and corrosion
- Heavy-duty frame includes grounding strap
- Blade style: D4

Item #	Description	Std Pkg
015-C129012S	1/2" x 18' Oil Gauge Tape Chrome Clad	1 ea
015-C1290S	1/2" x 25' Oil Gauge Tape Chrome Clad	1 ea
015-C1291S	1/2" x 33' Oil Gauge Tape Chrome Clad	1 ea
015-C1293S	1/2" x 50' Oil Gauge Tape Chrome Clad	1 ea

Atlas Tape Measure - Millimeters



- Provides greater resistance to wear and corrosion
- Heavy-duty frame includes grounding strap
- Blade style: D3

Item #	Description	Std Pkg
015-CN1290SME	13 mm x 8 m D/Duty Oil Tape	1 ea
015-CN1293SME	13 mm x 15 m D/Duty Tape	1 ea
015-CN1294SME	13 mm x 20 m D/Duty Tape	1 ea
015-CN1295SME	13 mm x 23 m D/Duty Tape	1 ea

Atlas Chrome Clad/Nubian Tape Measure



- Provides greater resistance to wear and corrosion
- Heavy-duty frame includes grounding strap
- Blade style: D1

Item #	Description	Std Pkg
015-CN1290-1/2S	1/2" x 18' D/Duty Oil Gauging Chrome/Nubian Tape	1 ea
015-CN1290S	1/2" x 25' D/Duty Oil Gauging Chrome/Nubian	1 ea
015-CN1291S	1/2" x 33' D/Duty Oil Gauging Chrome/Nubian	1 ea
015-CN1293S	1/2" x 50' D/Duty Oil Gauging Chrome/Nubian	1 ea
015-CN1294S	1/2" x 66' D/Duty Oil Gauging Chrome/Nubian	1 ea
015-CN1295S	1/2" x 75' D/Duty Oil Gauging Chrome/Nubian	1 ea
015-CN1296S	1/2" x 100' D/Duty Oil Gauging Chrome/Nubian	1 ea

Derrick Chrome Clad Tape Measure



- Nominal blade thickness .019"
- Blade style: E1

Item #	Description	Std Pkg
015-C2276D	1/4" x 100' Derrick Tape Chrome Clad	1 ea

Derrick Tape Measure - Millimeters



- Nominal blade thickness .019"
- Blade style: E2

Item #	Description	Std Pkg
015-C2276ME	1/4" x 30 m Derrick Tape Chrome Clad	1 ea

Atlas Nubian Oil Gauging Tape - Refill



- Blade style: D4
- Replacement: 015-1290S & 015-1293S

Item #	Description	Std Pkg
015-01290S	1/2" x 25' Nubian Oil Gauging Tape Refill	1 ea
015-01293S	1/2" x 50' Nubian Oil Gauging Tape Refill	1 ea

Atlas Oil Gauging Tape - Refill



- Blade style: D4
- Replacement: 015-C1290 1/2S, 015-C1290S, 015-C1291S, 015-C1293S

Item #	Description	Std Pkg
015-OC129012S	1/2" x 18' Refill Oil Gauging Tape Chrome Clad	1 ea
015-OC1290S	1/2" x 25' Refill Oil Gauging Tape Chrome Clad	1 ea
015-OC1291S	1/2" x 33' Refill Oil Gauging Tape Chrome Clad	1 ea
015-OC1293S	1/2" x 50' Refill Oil Gauging Tape Chrome Clad	1 ea

Atlas Chrome Clad/Nubian Tape - Refill



- Blade style: D1
- Replacement: 015-CN1290 1/2S, 015-CN1290S, 015-CN1291S, 015-CN1293S, 015-CN1294S, 015-CN1295S, 015-CN1296S

Item #	Description	Std Pkg
015-OCN1290-1/2S	1/2" x 18' Refill Oil Gauging Tape Chrome/Nubian	1 ea
015-OCN1290S	1/2" x 25' Refill Oil Gauging Tape Chrome/Nubian	1 ea
015-OCN1291S	1/2" x 33' Refill Oil Gauging Tape Chrome/Nubian	1 ea
015-OCN1293S	1/2" x 50' Refill Oil Gauging Tape Chrome/Nubian	1 ea
015-OCN1294S	1/2" x 66' Refill Oil Gauging Tape Chrome/Nubian	1 ea
015-OCN1295S	1/2" x 75' Refill Oil Gauging Tape Chrome/Nubian	1 ea
015-OCN1296S	1/2" x 100' Refill Oil Gauging Tape Chrome/Nubian	1 ea

Atlas Tape Refill - Millimeters



- Blade style: D3
- Replacement: 015-CN1293SME, 015-CN1294SME, 015-CN1295SME, 015-CN1296SME

Item #	Description	Std Pkg
015-OCN1293SME	13mm x 15m Refill Chrome Clad/Nubian	1 ea
015-OCN1294SME	13mm x 20m Refill Chrome Clad/Nubian	1 ea
015-OCN1295SME	13mm x 23m Refill Chrome Clad/Nubian	1 ea
015-OCN1296SME	13mm x 30m Refill Chrome Clad/Nubian	1 ea



Stainless Steel Oil Gauging Tape - Refill



- Blade style: D4
- Stainless steel refill
- Replacement blade for: 015-S1291 and 015-S1293

Item #	Description	Std Pkg
015-OS1291	1/2" x 33' Refill Stainless Steel Oil Gauging Tape	1 ea
015-OS1293	1/2" x 50' Refill Stainless Steel Oil Gauging Tape	1 ea

100ft Derrick Chrome Clad Tape Measure - Refill



- Blade style: E1
- Chrome clad refill
- Replacement blade for: 015-C2276D

Item #	Description	Std Pkg
015-OC2276D	Refill 1/4" x 100' Derrick Tape Chrome Clad	1 ea

Derrick Chrome Clad Tape Measure - Refill



- Blade style: E2
- Chrome clad refill
- Replacement blade for: 015-C2276ME

Item #	Description	Std Pkg
015-OC2276ME	Refill 1/4" x 30 m Derrick Tape Chrome Clad	1 ea

703D Tape Measure Refill



- Replacement blade for 703D
- 1/2" x 50' tape measure refill
- Blade style: C2

Item #	Description	Std Pkg
015-O703D	Refill 1/2" x 50' 10ths	1 ea

C213D Tape Measure Refill



- Replacement Blade for C213D
- 3/8" x 50' Tape Measure Refill
- Chrome Clad - Engineers
- Blade Style: B5

Item #	Description	Std Pkg
015-OC213D	Refill 3/8" x 50' Engineers Chrome Clad	1 ea

Handlekit



- Gauging tape replacement handle
- Grounding strap included

Item #	Description	Std Pkg
015-HANDLEKIT	9125 Replace Handle for Gauging Tapes	1 ea



Solitaire Mini Flashlight - LED



- Keychain sized flashlight
- 37 Lumens 61 m beam distance
- Anodized aluminum body

Item #	Description	Std Pkg
104-SJ3A016	1-AAA LED Solitaire Blk Mini Flashlight	6 ea

Mini Flashlight - LED



- Approximate size of a penlight
- 111 Lumens and 104m beam distance
- Made of aluminum alloy

Item #	Description	Std Pkg
104-SP32016	2-AA LED Mini Flashlight Adj. Spot	6 ea

XL200 Flashlight - LED



- Pocket size design
- 172 Lumens and 138m beam distance
- Water and drop resistant (up to 1m)

Item #	Description	Std Pkg
104-XL200-S3016	3-AAA Black LED Compact Flashlight	6 ea

XL50 Flashlight - LED



- Pocket size design
- 200 Lumens and 224m beam distance
- Water and drop resistant (up to 1m)

Item #	Description	Std Pkg
104-XL50-S3016	3-AAA Black LED Compact Flashlight	6 ea

MAC-TAC Flashlight - LED



- Tactical design
- 310 Lumens and 182m beam distance
- Water and drop resistant (up to 1m)

Item #	Description	Std Pkg
104-SG2LRE6	2-CR123 BLK LED MAC-TAC Flashlight	6 ea

ML25LT 2-Cell Flashlight - LED



- Sleek, Compact design
- 177 Lumens and 319m beam distance
- Water and drop resistant (up to 1m)

Item #	Description	Std Pkg
104-ML25LT-S2016	2-C Cell Black LED Mid Size Flashlight	6 ea

MAGLITE®

ML25LT 3-Cell Flashlight - LED



- Sleek, Compact design
- 173 Lumens and 309m beam distance
- Water and drop resistant (up to 1m)

Item #	Description	Std Pkg
104-ML25LT-S3016	3-C Cell Black LED Mid Size Flashlight	6 ea

2-Cell D Flashlight - LED



- Professional design
- 114 Lumens and 300m beam distance
- Water and drop resistant (up to 1m)

Item #	Description	Std Pkg
104-ST2D016	LED 2 Cell D Flashlight Black	6 ea

3-Cell D Flashlight - LED



- Professional design
- 168 Lumens and 412m beam distance
- Water and drop resistant (up to 1m)

Item #	Description	Std Pkg
104-ST3D016	LED 3 Cell D Black Flashlight	6 ea

MAC-TAC Rechargeable Flashlight - LED



- Tactical design with rechargeable battery
- 533 Lumens and 178m beam distance
- Water and drop resistant (up to 2m)

Item #	Description	Std Pkg
104-TRM1RE4	Blk LED MAG-TAC Rechrq Flashlight Kit	3 ea

LED Rechargeable Light System



- 643 Lumens
- 407m beam distance
- Water and drop resistant (up to 1m)
- Tactical design with rechargeable battery and eco-mode

Item #	Description	Std Pkg
104-RL1019	LED Rechargeable Light System	1 ea

Mini-Mag AA Flashlights



- Compact Design
- 14 Lumens and 96m beam distance
- Water and drop resistant (up to 1m)

Item #	Description	Std Pkg
104-M2A016	Black Mini Mag AA Flashlight	12 ea

2-Cell C Flashlight



- Standard Aluminum Design
- 31 Lumens and 223m beam distance
- Water resistant

Item #	Description	Std Pkg
104-S2C016	Black 2 C Cell Flashlight	12 ea

3-Cell C Flashlight



- Standard Aluminum Design
- 45 Lumens and 274m beam distance
- Water resistant

Item #	Description	Std Pkg
104-S3C016	Black 3 C Cell Flashlight	12 ea

2-Cell D Flashlight



- Standard Aluminum Design, Full Size
- 27 Lumens and 206m beam distance
- Water and drop resistant (up to 1m)

Item #	Description	Std Pkg
104-S2D016	Black 2 D Cell Flashlight	12 ea

3-Cell D Flashlight



- Standard Aluminum Design, Full Size
- 45 Lumens and 254m beam distance
- Water and drop resistant (up to 1m)

Item #	Description	Std Pkg
104-S3D016	Black 3 D Cell Flashlight	12 ea

4-Cell D Flashlight



- Standard Aluminum Design, Full Size
- 98 Lumens and 267m beam distance
- Water and drop resistant (up to 1m)

Item #	Description	Std Pkg
104-S4D016	Black 4 D Cell Flashlight	12 ea

6-Cell D Flashlight



- Standard Aluminum Design, Full Size
- 136 Lumens and 295m beam distance
- Water and drop resistant (up to 1m)

Item #	Description	Std Pkg
104-S6D016	Black 6 D Cell Flashlight	12 ea



Brass Pencil Tip



- Replaceable orifice
- Adjustable flame knob
- Solid brass body
- Uses propane

Item #	Description	Std Pkg
260-MT200C	Brass Pencil Tip Flame Kit for Propane Torch	12 ea

Self-Lighting Torch Tip



- 360° swivel
- Triple point flame
- Stainless steel burn tube
- Self-Lighting propane torch
- Brass valve w/ control knob

Item #	Description	Std Pkg
260-MT525C	Self-Lighting Torch 360° Swivel	12 ea

Self-Lighting Triple Point Torch Tip



- Ss burner tube
- Auto igniter
- Ergonomic handle
- Brass regulator valve

Item #	Description	Std Pkg
260-MT535C	Self-Lighting Triple Point Torch	6 ea

Self-Light Regulated Valve Torch Tip



- 360 degree swivel
- Ss burner tube
- Auto igniter
- Adjustable flame knob
- Brass regulator valve
- Use mapp gas or propane

Item #	Description	Std Pkg
260-MT551C	Self-Light Regulated Valve, Swivel Tube Torch	6 ea

Professional On-Demand Tip



- Brass burner tip
- Auto igniter lock for flame setting
- Igniter soft switch
- Use mapp gas or propane

Item #	Description	Std Pkg
260-MT565C	Prof. Self-Lighting Torch w/Swivel Tip	6 ea

Professional On-Demand Trigger Tip



- Swirl flame
- Adjustable flame knob
- Replaceable burner tube
- 360 degree swivel
- Auto igniter lock
- Uses map/pro or propane

Item #	Description	Std Pkg
260-MT579C	On-demand Trigger, Flame Control Knob	6 ea

Three in One Micro Butane Torch Tip



- Self lighting
- Refillable w/stand
- Includes solder tip, hot blow
- Flame functions

Item #	Description	Std Pkg
260-MT765C	Butane Micro Torch w/Stand & Refillable	12 ea

Brass Pencil Tip Flame Kit



- Traditional all brass pencil-tip
- Propane torch
- Adjustable flame knob
- Replaceable orifice
- With 14.1 oz propane cylinder

Item #	Description	Std Pkg
260-MT200-3	Brass Pencil Tip Flame Kit w/14.1 oz Cylinder	3 ea

Self-Lighting Torch Kit



- Triple point flame
- Stainless steel burn tube
- Self-Lighting propane torch
- Brass valve w/ control knob
- With 14.1 oz propane cylinder

Item #	Description	Std Pkg
260-MT525-3	Self-Lighting Torch w/Tri-Point Flame w/Cylinder	3 ea

Self-Lighting Triple Point Torch Kit



- SS burner tube
- Auto igniter
- Ergonomic handle
- Brass regulator valve
- Tri-point flame
- With 14.1 oz propane cylinder

Item #	Description	Std Pkg
260-MT535CK	Self-Lighting Torch Kit w/14.1 oz Cylinder	2 ea



Tradesman Torch Self-Lighting Kit



- Silver swirl tip
- Brass burner tip
- Ergonomic handle
- Belt clip
- Uses mapp gas or propane

Item #	Description	Std Pkg
260-MT560C	Torch Self-Lighting Kit Swirl Tip w/4' Hose	6 ea

Professional On-Demand Kit



- Regulated valve
- Instant on-off trigger w/flame lock
- On-demand trigger
- Swivel swirl tip
- Uses mapp gas or propane
- Comes with 14.1oz propane cylinder

Item #	Description	Std Pkg
260-MT565CK	Prof Self-Lighting Torch Kit w/Swivel Tip	2 ea

Deluxe Brass Pencil Tip Flame Kit



- Traditional all brass pencil tip
- With: spark lighter, flint renewals, flame spreader
- Brush flame tip
- Comes w/ 14.1 oz propane cylinder
- Carrying case

Item #	Description	Std Pkg
260-MT700	Brass Pencil Tip Flame Kit w/Cylinder	3 ea

Self-Lighting Outdoor Torch



- 36" reach
- Self-Lighting
- Soft grip handle
- Solid Brass Valve
- Propane Outdoor Torch
- Produces soft lapping 3" in diameter flame
- Flame Control Knob for easy on/off

Item #	Description	Std Pkg
260-MT450C	36" Outdoor Garden Torch	6 ea

Flint Spark Lighter



- For Lighting Torches
- Carded for Display

Item #	Description	Std Pkg
260-MT100	Flint Spark Lighter	12 ea

Flint Renewals



- Fits standard spark lighter
- 5 per card for displaying

Item #	Description	Std Pkg
260-MT100C	Flint Renewals (5 per card)	6 ea



Dope Brush - Round



- Round Dope Brush with Guard
- Grey Tampico Fiber

Item #	Description	Std Pkg
055-2-DOPE	#2 Dope Brush - 2-1/2" Round	12 ea
055-4-DOPE	#4 Dope Brush - 2" Round	12 ea

Dope Brush - Square



- Square Dope Brush with Guard
- Tampico Fiber

Item #	Description	Std Pkg
055-1-DOPE	#1 Dope Brush - 2-1/2" Square	12 ea

Dope Brush - Tapered



- Tapered Dope Brush with Guard
- Tampico Fiber

Item #	Description	Std Pkg
055-3-DOPE	#3 Dope Brush - 1-3/4" to 3" Tapered	12 ea

Palmyra Deck Brush



- Heavily filled with fiber staple set in sanded hardwood blocks
- Stiff Palmyra fiber

Item #	Description	Std Pkg
055-110	10" Palmyra Deck Brush Only	12 ea
055-110X	10" Palmyra Deck Brush and Handle	12 ea



Tampico Deck Brush



- Heavily filled with fiber staple set in sanded hardwood blocks
- 100% Selected White Tampico Fiber

Item #	Description	Std Pkg
055-210	10" Tampico Deck Brush Only	12 ea
055-210X	10" Tampico Deck Brush and Handle	12 ea

Palmyra Fender Brush - Short Handle



- Filling material staple set in a wax tumbled 8" x 3" hardwood block
- 100% Palmyra filling material

Item #	Description	Std Pkg
055-40	8" Palmyra Fender Brush #8P	12 ea

Palmyra Fender Brush - Long Handle



- Filling material staple set in a wax tumbled 20" x 3" hardwood block
- 100% Palmyra filling material

Item #	Description	Std Pkg
055-44	20" Palmyra Fender Scrub Brush #20P	12 ea

Tampico Fender Brush - Short Handle



- Filling material staple set in a wax tumbled 8" x 3" hardwood block
- White Tampico filling material

Item #	Description	Std Pkg
055-41	8" Tampico Fender Brush #8T	12 ea

Tampico Fender Brush - Long Handle



- Filling material staple set in a wax tumbled 20" x 3" hardwood block
- White Tampico filling material

Item #	Description	Std Pkg
055-45	20" Tampico Fender Scrub Brush #20T	12 ea

White Nylon Fender Brush - Short Handle



- Filling material staple set in a polypropylene block
- Will not break or crack, nor absorb water
- White nylon filling material

Item #	Description	Std Pkg
055-71N	8" White Nylon Fender Brush #8N	12 ea

White Nylon Fender Brush - Long Handle



- Filling material staple set in a polypropylene block
- Will not break or crack, nor absorb water
- White nylon filling material

Item #	Description	Std Pkg
055-73N	20" White Nylon Fender Brush #20N	12 ea

Union Fender Brush



- Fender Scrub Brush
- 20" wood handle

Item #	Description	Std Pkg
055-39	20" Union/Comb. Fender Scrub Brush #20C	12 ea

Utility Brush - Long Handle



- Filling material staple set in a polypropylene block
- Will not break or crack, nor absorb water
- Union fiber filling material

Item #	Description	Std Pkg
055-70CP	20" Long Handle Utility/Fender Brush	12 ea

Shoe Handle Wire Brush



- Filling material staple set in a smooth wax tumbled hardwood block
- Heavy duty industrial brush

Item #	Description	Std Pkg
055-387IMP	10" Imported Shoe Handle Wire Brush #EC-4S	12 ea
055-387USA	10" Shoe Handle Wire Brush #4-S	12 ea

SS Shoe Handle Wire Brush



- Filling material staple set in a smooth wax tumbled hardwood block
- Stainless Steel

Item #	Description	Std Pkg
055-9S	10" SS Shoe Handle Wire Brush	12 ea

Brass Shoe Handle Wire Brush



- Filling material staple set in a smooth wax tumbled hardwood block
- Tempered Brass

Item #	Description	Std Pkg
055-4-SB	10" Brass Shoe Handle Wire Brush	12 ea



Shoe Handle Wire Brush - Scraper



- Filling material staple set in a smooth wax tumbled hardwood block
- Round carbon steel with scraper

Item #	Description	Std Pkg
055-4SC	4 x 16 Rows Shoe Handle Wire Brush #388	12 ea

Curved Wire Brush



- Filling material staple set in a smooth wax tumbled hardwood block
- Round carbon steel

Item #	Description	Std Pkg
055-7S	14" Curved Handled Wire Brush #399	12 ea

SS Detail Cleaning Brush



- Stainless Steel cleaning brush
- Polystyrene handle

Item #	Description	Std Pkg
055-270	7" SS Detail Cleaning Brush (Tooth)	36 ea

Brass Detail Cleaning Brush



- Brass wire cleaning brush
- Polystyrene handle

Item #	Description	Std Pkg
055-271	7" Brass Wire Detail Cleaning Brush (Tooth)	36 ea

Nylon Tube Brush



- Black nylon twisted wire
- Ideal for internal cleaning

Item #	Description	Std Pkg
055-540	18" x 5/8" Diameter Tube Brush Black Nylon	12 ea
055-541	18" x 3/4" Diameter Tube Brush Black Nylon	12 ea
055-542	18" x 1" Diameter Tube Brush Black Nylon	12 ea
055-544	30" x 1" Diameter Tube Brush Black Nylon	12 ea

Boot & Shoe Cleaning Brush



- Black Polypropylene bristles in the base
- Blue polypropylene bristles in the sides
- Easy attachment to most wooden surfaces

Item #	Description	Std Pkg
055-SB-1000	Black/Blue Boot & Shoe Debris Cleaning Brush	6 ea

China Bristle Paint Brush



- Smooth sanded natural wooden beaver style handle
- Recommended for use with oil based paints, varnishes, stains and enamels

Item #	Description	Std Pkg
055-250-1	1" China Bristle Paint Brush	12 ea
055-250-2	2" China Bristle Paint Brush	12 ea
055-250-3	3" China Bristle Paint Brush	12 ea
055-250-4	4" China Bristle Paint Brush	6 ea

Angle/Sash Paint Brush



- Comes with a SS ferrule
- For use in corners & hard to reach places
- Use with oil base, varnishes, stain & enamels

Item #	Description	Std Pkg
055-251-1.5	1-1/2" China Bristle Angle Sash Brush	12 ea
055-251-2	2" China Bristle Angle Sash Brush	12 ea

Nylon Paint Brush



- For use with all paints
- Nylon / polyester bristles
- Natural wooden beavertail handle design

Item #	Description	Std Pkg
055-254-4	4" Nylon Bristle Paint Brush	6 ea

#18 Black Tampico Floor Broom



- Black Tampico Floor Broom
- w/A60 Handle
- 18" wide

Item #	Description	Std Pkg
055-1818	18" Black Tampico Floor Broom w/A60 Handle	6 ea



#10 Black Tampico Floor Broom



- 100% Selected Black Tampico
- For sweeping dry semi-smooth floors

Item #	Description	Std Pkg
055-1024	24" Black Tampico Floor Broom w/M60 Handle	12 ea

#19 Yellow Plastic Floor Broom



- Yellow Polystyrene
- For wet or dry sweeping
- The closest thing to a all-around floor brush

Item #	Description	Std Pkg
055-1924	24" Plastic Floor Broom w/M60 Handle	12 ea
055-1936	36" Plastic Floor Broom w/M60 Handle & Brace	6 ea

No. 7 Line Floor Brush



- 100% Horsehair
- For sweeping smooth, dry floors

Item #	Description	Std Pkg
055-718	18" Black Horse Hair Broom w/M60 Handle	12 ea
055-724	24" Black Horse Hair Broom w/M60 Handle	12 ea

#14 Palmyra Fiber Garage Broom



- Prime Stiff Palmyra
- For wet or dry sweeping under rough conditions

Item #	Description	Std Pkg
055-1424	24" #14 Palmyra Fiber Broom w/B60 Handle	12 ea

Blue Plastic Rough Surface Broom



- Blue Polystyrene – Heavy Gauge
- For wet or dry conditions where a heavy duty broom is required such as rock or gravel.

Item #	Description	Std Pkg
055-6424-A	24" #64 Blue Plastic Rough Surface Broom (HD Only) uses D60 Handle & 99 Brace	6 ea

#11 Red & Black Floor Broom



- Coarse Brown Polystyrene Center
- Black Polystyrene Border
- For wet or dry sweeping

Item #	Description	Std Pkg
055-1124	24" Red & Black Floor Broom w/M60 Handle	12 ea

Polypropylene Deck Brush - Blue



- Extra Stiff Blue Crimped Polypropylene
- 10" Hardwood, Smooth Sanded Block
- Bristles are chemical resistant and great for general scrubbing purposes

Item #	Description	Std Pkg
055-610	Deck Brush 10" Blue Plastic Brush ONLY	12 ea

Wooden Screw Handle



- Selected Hardwood with clear lacquered finish
- One end rounded and the other end threaded

Item #	Description	Std Pkg
055-A60	15/16" x 5' Wooden Screw Handle #5S	12 ea

Metal Thread Handle



- Selected Hardwood with clear lacquered finish
- One end rounded and the other end equipped with crimped-on metal thread

Item #	Description	Std Pkg
055-B60	1-1/8" x 60" Metal Thread Handle	12 ea
055-M60	15/16" x 60" Metal Thread Handle	12 ea

Tapered Wooden Handle



- Made of #1 straight-grain hardwood smoothly sanded
- One end rounded and the other tapered
- For use with squeegees and street brooms

Item #	Description	Std Pkg
055-C60	1-1/8" x 5' Tapered Wooden Handle	12 ea

Broom Head Brace



- Heavy duty broom head brace
- For long brooms

Item #	Description	Std Pkg
055-99	HD Broom Head Brace for Long Brooms	12 ea



Black Rubber Squeegee



- 1" angle aluminum frame
- 2" x 1/4" high-grade flexible black rubber

Item #	Description	Std Pkg
055-4118-TPW/H	18" Squeegee Black Rubber w/Handle	6 ea
055-4124-TPW/H	24" Squeegee Black Rubber w/Handle	6 ea
055-4130-TPW/H	30" Squeegee Black Rubber w/Handle	6 ea
055-4136-TPW/H	36" Squeegee Black Rubber w/Handle	6 ea

Black Rubber Squeegee - No Handle



- Black Rubber Squeegee
- 24" wide (no handle)

Item #	Description	Std Pkg
055-4124-TP	24" Squeegee Black Rubber - No Handle	6 ea
055-4136-TP	36" Squeegee Black Rubber - No Handle	6 ea

Curved Black Rubber Squeegee



- 24" Curved squeegee head
- Blade Material: Black Rubber
- Best for floor or driveway jobs

Item #	Description	Std Pkg
055-4624-TPW/H	24" Curved Squeegee Black Rubber w/Handle	6 ea

Neoprene Squeegee



- 1" angle aluminum frame
- 2" x 1/4" high-grade flexible black rubber

Item #	Description	Std Pkg
055-4124-TPNW/H	24" Squeegee Neoprene w/Handle	6 ea

Curved Neoprene Squeegee



- Curved Neoprene Squeegee
- 36" wide with handle

Item #	Description	Std Pkg
055-4636-TPN/W	36" Curved Squeegee Neoprene w/Handle	6 ea

Angle Broom - Black Plastic



- Flagged Black Plastic
- 48" metal handle

Item #	Description	Std Pkg
055-463	Broom Lrg Angle/Cream Plastic 48" Metal Handle	12 ea

Metal Dust Pan



- Black 20 ga. Steel
- Baked enamel finish
- Beveled edges & corrugated ribs for added strength

Item #	Description	Std Pkg
055-6	12" Metal Dust Pan	12 ea

Paint Roller Frame



- 4 wire cage
- 1/4" chrome plated steel
- Threaded handle internal socket

Item #	Description	Std Pkg
055-300-014	3" Paint Roller Frame	24 ea
055-400-014	4" Paint Roller Frame	24 ea

9" Paint Roller Frame



- 9" - 4 wire cage
- 1/4" chrome plated steel
- Threaded handle internal socket

Item #	Description	Std Pkg
055-900-014	9" Paint Roller Frame	24 ea

HD Paint Roller Frame



- Heavy duty 5 wire cage
- 5/16" chrome plated steel
- Reinforced HD internal threaded handle

Item #	Description	Std Pkg
055-1695-HD	9" Heavy Duty Paint Roller Frame	12 ea

Paint Roller Cover



- 1/2" nap length
- 3 ply phenolic core
- 100% synthetic fiber

Item #	Description	Std Pkg
055-3SC050	3" Paint Roller Cover	24 ea
055-4SC050	4" Paint Roller Cover	24 ea

9" Paint Roller Cover



- 3/8" nap length
- 4 ply phenolic core
- 100% synthetic fiber

Item #	Description	Std Pkg
055-9TU038	9" Paint Roller Cover 3/8" Nap	24 ea



Black Plastic Paint Tray



- Industrial-size molded plastic tray
- Economical yet durable
- 9 Inches in length

Item #	Description	Std Pkg
055-PET-100G	9" Plastic Paint Tray	24 ea

Metal Paint Tray



- Metal Paint Tray
- 9" long

Item #	Description	Std Pkg
055-MET-100	9" Metal Paint Tray	24 ea

Industrial Paint Brush



- 1-1/2" Thickness
- 100% Black bristles
- Stain varnished handle

Item #	Description	Std Pkg
055-241	1" Industrial Paint Brush	12 ea
055-242	2" Industrial Paint Brush	12 ea
055-243	3" Industrial Paint Brush	12 ea
055-244	4" Industrial Paint Brush	12 ea

Cotton Dust Mop Head



- Looped ends
- Industrial grade cotton

Item #	Description	Std Pkg
055-5224	24 oz Cotton Dust Mop Head	12 ea

#10 Mop Handle



- Mop handle with wing nut
- 1-1/8" x 54"

Item #	Description	Std Pkg
055-91	#10 Mop Handle 1-1/8" x 54" Wing Nut	6 ea
055-92	#10 Mop Handle 15/16" x 48" Wing Nut	6 ea

Mop Bucket with Wringer



- Yellow bucket
- 3" ball bearing casters
- Wringer resistant to cleaning chemicals

Item #	Description	Std Pkg
055-6035-3	26 qt Mop Bucket with Wringer	1 ea

Galvanized Pail



- Galvanized Pail
- 2 gal, 2.5 gal, 3 gal, 3.5 gal & 6 gal available

Item #	Description	Std Pkg
055-10	10 qt (2.5 gal) Galvanized Pail	12 ea
055-12	12 qt (3 gal) Galvanized Pail	12 ea
055-14	14 qt (3.5 gal) Galvanized Pail	12 ea
055-20	24 qt (6 gal) Galvanized Pail	12 ea
055-8	8 qt (2 gal) Galvanized Pail	12 ea



5" Angle Grinder



- AC/DC
- Spindle lock
- 9.0 AMP motor
- Lock-on button
- Double insulated

Item #	Description	Std Pkg
105-9005B	5" Grinder 9 Amp 10,000 RPM AC/DC	1 ea

4 1/2" Angle Grinder



- 11,000 RPM
- 7.5 AMP motor
- AC/DC switch
- Lock-on/off feature
- Push button spindle lock

Item #	Description	Std Pkg
105-9557PB	4-1/2" Grinder 7.5 Amp AC/DC	4 ea

4 1/2" Angle Compact Grinder



- 11,000 RPM
- 6.0 AMP motor
- Compact design at only 4.0 lbs
- Slide switch design with lock-on
- Two position side handle

Item #	Description	Std Pkg
105-GA4530	4-1/2" Compact Grinder	4 ea



5" SJS Angle Grinder



- 10.5 AMP
- 11,000 RPM
- Electric brake
- AC/DC switch
- "Tool-less" wheel guard
- Mechanical clutch system

Item #	Description	Std Pkg
105-GA5020	5" 11,000 Angle Grinder 5/8-11	4 ea

7" Angle Grinder



- 6,000 RPM
- 15.0 AMP motor
- Large trigger switch
- "Tool-less" wheel guard
- Electronic current limiter

Item #	Description	Std Pkg
105-GA7011C	7" Grinder 15 Amp 6,000 RPM	4 ea

7" Angle Grinder - GA7021



- 6,000 RPM
- AC/DC switch
- 15 AMP motor
- All metal housing
- Spiral bevel gears

Item #	Description	Std Pkg
105-GA7021	7" Grinder 15 Amp 6,000 RPM	2 ea

7" / 9" Angle Sander / Grinder



- 6,000 RPM
- AC/DC switch
- 15 AMP motor
- All metal housing
- Spiral bevel gears

Item #	Description	Std Pkg
105-GA7911	7" or 9" Angle Sander 6,000 RPM	1 ea

4 1/2" Angle Grinder w/ Case



- **Includes:** Case, lock nut wrench, lock nut, side handle
- 4-1/2" Diamond blade, 4-1/2" wheel guard
- 4-1/2" x 1/4" x 7/8" INOX grinding wheel
- 4-1/2" Cut-off wheel guard, inner flange

Item #	Description	Std Pkg
105-9557PBX1	4-1/2" Grinder 7.5 Amp AC/DC w/Case	4 ea

Brushless Cordless Grinder - XAG06MB



- Automatic Speed Change
- Electronic Torque Control
- Brushless Motor delivers 8,500 RPM
- 3-stage L.E.D. gauge indicates battery charge level
- **Includes:** (2) 18V batteries, rapid charger, cut-off wheel, thin cut-off wheel, wheel guard, cut-off wheel guard

Item #	Description	Std Pkg
105-XAG06MB	18V LXT 4-1/2" Brushless Grinder Kit	1 ea

4-1/2" Angle Grinder - 9564CV



- Variable speed control dial
- 13 AMP, 2,800 - 10,500 RPM
- Mechanical clutch system that helps prevent motor & gear damage
- **Includes:** Grinding wheel, wheel guard, side handle, inner flange, lock-nut, wrench

Item #	Description	Std Pkg
105-9564CV	4-1/2" SJS Angle Grinder	4 ea

Grinding Wheel



- 24 Grit
- 1/4" Thickness
- Aluminum Oxide abrasive grains
- For metal and general flat grinding

Item #	Description	Std Pkg
105-741416-B-10	4-1/2" Hubbed Grinding Wheels 5/8" -11	10 ea

Lock Nuts



- Secures Rubber Backing Pads
- Durable metal construction for long life
- For Angle Grinders, Sanders & Polishers

Item #	Description	Std Pkg
105-193048-0	5/8" Lock Nut	1 ea
105-193465-4	5/8"-11 Arbor Lock Nut	1 ea

1/4" Paddle Switch Die Grinder



- 3.5 AMP
- 25,000 RPM
- AC/DC switch
- Lower noise at 73dB(A)
- Small diameter barrel grip

Item #	Description	Std Pkg
105-GD0600	1/4" Die Grinder w/Paddle Switch 25,000 RPM	5 ea

1/4" Side Switch Die Grinder



- 25,000 RPM
- AC/DC switch
- 3.5 AMP motor
- Lower noise at 73dB(A)
- Round-shaped collet nut

Item #	Description	Std Pkg
105-GD0601	1/4" Die Grinder w/Side Switch 25,000 RPM	5 ea



12" Metal Cut-off Saw



- 15.0 AMP motor
- Quick release vise
- Carbide-tipped blade
- Shavings collection tray
- Externally accessible brushes
- D-shape handle for user comfort
- Shaft lock for easy blade changes

Item #	Description	Std Pkg
105-LC1230	12" Metal Cut-Off Saw	1 ea

14" Cut-Off Saw



- Adjustable spark guard
- 15 AMP motor delivers 3,800 RPM
- Fence adjustment up to 45°; adjusts to 3 locations
- Cuts up to 5" round and 4" x 7-5/8" rectangular
- **Includes:** Abrasive wheel, wrench

Item #	Description	Std Pkg
105-LW1401	14" Cut-Off Saw	1 ea

Cut-off Wheel



- 1" arbor
- 1/8" thick
- 14" diameter
- Aluminum Oxide

Item #	Description	Std Pkg
105-A-93859-5	14" Standard Cut-off Wheel	1 ea

12" Metal Cutting Blade - A-90532



- Carbide tipped design
- Expertly tensioned for a true cut
- Ideal for making cuts in ferrous metals
- **Includes:** 12" (60T) Carbide-Tipped Metal Cutting Blade, Ferrous Metal

Item #	Description	Std Pkg
105-A-90532	12" X1" 60T Carbide Metal Cutting Blade	1 ea

12" Metal Cutting Blade - A-90875



- Carbide tipped design
- Expertly tensioned for a true cut
- Ideal for making cuts in ferrous metals
- **Includes:** 12" (78T) Carbide-Tipped Metal Cutting Blade, Ferrous Metal-Thin Gauge

Item #	Description	Std Pkg
105-A-90875	12" X1" 78T Carbide Metal Cutting Blade	1 ea

Cut-off Wheel - 724107-5-10



- A46 Grit
- 5/64" thick (.080"); 5/8" arbor hole
- For use with 4" Angle Grinders
- For all ferrous metals including steel and cast iron
- **Includes:** 10 ea. 4" x 5/8" x 5/64" Cut-off wheel

Item #	Description	Std Pkg
105-724107-5-10	4" X5/64" X5/8" Cut-Off Wheel 46 Grit (10/pkg)	1 pkg

Portable Band Saw



- Fluorescent light
- No lock-on feature
- Variable speed dial
- Adjustable front handle
- Powerful 6.5 AMP motor

Item #	Description	Std Pkg
105-2107FZ	Portable Band Saw 4-3/4" 6.5 Amp 2 Speed	1 ea

Portable Band Saw w/ Tool Case



- Includes case
- Fluorescent light
- Variable speed dial
- No lock-on feature
- Adjustable front handle
- Powerful 6.5 AMP motor

Item #	Description	Std Pkg
105-2107FZK	Portable Band Saw 4-3/4" 6.5 Amp 2 Speed	1 ea

Portable Band Saw Kit - XBP02TX



- Variable speed control dial
- Variable speed 275-530 ft./min.
- Trigger switch with lock-off feature
- **Includes:** (2) 18V LXT® Lithium-Ion 5.0Ah batteries, rapid charger, portable band saw blade and tool bag

Item #	Description	Std Pkg
105-XBP02TX	18V LXT Portable Band Saw Kit	1 ea

Band Saw Blades



- Bi-metal construction
- 14 or 24-teeth per inch
- Makes clean, quick cuts

Item #	Description	Std Pkg
105-792555-A	44-7/8" X 1/2" 24tpi Blade for Porta Band Saw	1 ea
105-792557-A	44-7/8" X 1/2" 14tpi Bi-Metal Porta Band Blade	1 ea



AVT Recipro Saw



- Powerful 15 AMP Motor
- 2X less vibration
- Variable speed dial
- AVT – Anti-Vibration Technology
- Includes: blades and metal tool case

Item #	Description	Std Pkg
105-JR3070CT	15amp AVT Recipro Saw Corded	1 ea

6 Pc Assortment Pack



- 6 pc assortment
- 3/4" width blades
- Bi-metal construction
- High quality steel blades

Item #	Description	Std Pkg
105-723086-A-A	6 pc Reciprocating Blade Pack	1 pkg

18V LXT Cordless Impact Driver Kit



- Dual L.E.D. lights with afterglow
- One-touch 1/4" hex chuck
- **Includes:** 18V Lithium-Ion batteries, rapid charger, tool case

Item #	Description	Std Pkg
105-XDT111	18V LXT Cordless Impact Driver Kit	1 ea

Cordless Impact Driver Kit - XDT14R



- Brushless Motor
- Rubberized ergonomic soft grip
- Delivers 1,550 in.lbs. of Max Torque
- **Includes:** (2) 18V LXT® Lithium-Ion compact batteries, rapid charger

Item #	Description	Std Pkg
105-XDT14R	18V LXT Impact Driver Kit	1 ea

3/8" Drill



- 4.9 AMP motor
- Low decibel rating (79dB)
- All-ball bearing construction
- Variable speed (0-2,500 RPM)
- Large recessed lock-on button

Item #	Description	Std Pkg
105-6407	3/8" Drill 4.9 Amp 2500 RPM	5 ea

1/2" Drill



- 7.0 AMP motor
- Retractable belt clip
- Side handle rotates 360°
- Variable speed (0-950 RPM)
- Ergonomically designed rubberized grips

Item #	Description	Std Pkg
105-DP4000	1/2" Drill 7 Amp 900 RPM	5 ea

Brushless Cordless Recipro Saw Kit - XRJ06M



- 2-speed Brushless motor
- Long 1-1/4" stroke length
- Built-in L.E.D. Light with preglow & afterglow
- Strokes per minute: 0-2,300 (low) & 0-3,000 (high)

Item #	Description	Std Pkg
105-XRJ06M	18Vx2 LXT Recipo Saw Kit	1 ea

Brushless Cordless Recipro Saw Kit - XRJ05T



- 2-speed brushless motor
- "Tool-less" blade change system
- Strokes per minute: 0-2,300 (Low) & 0-3,000 (High)
- **Includes:** (2) 18V 5.0Ah batteries, rapid charger

Item #	Description	Std Pkg
105-XRJ05T	18V LXT Recipo Saw Kit Brushless	1 ea

6" Metal Cutting Recipro Saw Blade



- 5 Pack
- 6" 18 TPI Bi-metal blade
- For cutting metal from 1/8" to 3/16" thick

Item #	Description	Std Pkg
105-723066-A5	6" 18TPI Metal Cutting Blade (5/pkg)	1 pkg

6" Demolition Recipro Saw Blade



- Bi-Metal construction
- Cobalt content set to maximize blade durability
- For making demolition cuts without the blade bending
- **Includes:** 3 ea. 6" Demolition Recipro Saw Blade, 6TPI

Item #	Description	Std Pkg
105-723072-A-3	6" 6TPI Demolition Recipro Saw Blade (3/pk)	1 pkg

9" Metal Cutting Recipro Saw Blade



- Bi-Metal construction
- .035" blade thickness for making fast cuts in metal
- **Includes:** 5 ea. 9" Metal Cutting Recipro Saw Blade, 18TPI
- For making cuts in bar & angle stock, galvanized pipe, stainless and metal from 1/8" to 3/16"

Item #	Description	Std Pkg
105-723069-A-5	9" 18TPI Metal Cutting Recipro Saw Blade (5/pkg)	1 pkg



12" Demolition Recipro Saw Blade



- Bi-Metal construction
- Cobalt content set to maximize blade durability
- For making demolition cuts without the blade bending
- **Includes:** 3 ea. 12" Demolition Recipro Saw Blade, 6TPI

Item #	Description	Std Pkg
105-723074-A-3	12" 6TPI Demolition Recipro Saw Blade	3 pk

5.5 HP Gas Air Compressor



- 10-gallon twin tanks
- Provides 12.5 CFM at 100 PSI
- "V" Twin Style Pump runs cooler
- Powerful Honda GX160 4-stroke engine
- **Includes:** Two universal couplers

Item #	Description	Std Pkg
105-MAC5501G	5.5 HP Big Bore Gas Air Compressor	1 ea

20" Contractor Tool Bag



- 20" x 9" x 10"
- Constructed with industrial fabric
- Engineered with reinforced handles
- Includes shoulder strap

Item #	Description	Std Pkg
105-831303-9	21 X 9" Canvas Tool Bag (6ea)	6 ea



Thread Sealant Paste w/ PTFE



- Non-toxic to non-drying
- Easily washes off hands & clothing
- Sealing temperature 50°F to 500°F
- **Working Pressure:** 3000 PSI (Gas), 10,000 PSI (Liquids)

Item #	Description	Std Pkg
043-42014	1 gal Slic-Tite Thread Sealant Paste w/PTFE	4 ea
043-42019	1/2 pt Slic-Tite Thread Sealant Paste w/PTFE	24 ea
043-42029	1 pt Slic-Tite Thread Sealant Paste w/PTFE	24 ea
043-42049	1 qt Slic-Tite Thread Sealant Paste w/PTFE	24 ea

Ball Paint Marker



- Real paint
- Dries in 5 minutes
- Durable metal ball
- Writes on smooth or rough hard surfaces

Item #	Description	Std Pkg
043-84621	2 oz Bottle Yellow Ball Paint Marker	12 ea

Quik Stik Paintstik Marker



- Smooth-marking, fast-drying paint marks dry in 5-7 minutes
- Marks on virtually any surface: metal, glass, plastic, wood, cardboard, paper, etc.
- Bright, bold, fade-resistant colors

Item #	Description	Std Pkg
043-61050	Quik-Stik Paint Marker - Black	12 ea
043-61051	Quik Stik Solid Paint Marker - White	12 ea
043-61053	Quik Stik Solid Paint Marker - Yellow	12 ea

B Paintstick Marker



- Use on metal, wood, plastic, concrete, rubber, glass, cardboard
- Weather resistant, UV resistant, lead-free paint in stick form
- Marks on smooth, rough, rusty, or dirty surfaces
- Marks through oil and water
- Marking range: -50°F to 150°F

Item #	Description	Std Pkg
043-80220	White B Paintstick Marker	12 ea
043-80221	Yellow B Paintstick Marker	12 ea
043-80222	Red B Paintstick Marker	12 ea
043-80223	Black B Paintstick Marker	12 ea
043-80224	Orange B Paintstick Marker	12 ea
043-80225	Blue B Paintstik Marker	12 ea
043-80226	Green B Paintstick Marker	12 ea
043-80227	Pink B Paintstick Marker	12 ea
043-80232	Aluminum B Paintstick Marker	12 ea

F Paintstik Fluorescent Marker



- Round holder features a built-in sharpener
- Ideal for metal layout and fabrication work
- Marks on all types of metal surfaces
- Marks are resistant to torch flames
- Marks won't rub off like soapstone

Item #	Description	Std Pkg
043-82831	F Paintstick Marker - Yellow	12 ea
043-82832	F Paintstick Marker - Red	12 ea
043-82834	F Paintstick Marker - Orange	12 ea
043-82836	F Paintstick Marker - Green	12 ea
043-82842	F Paintstick Marker -Pink	12 ea

Clay Base Lumber Crayon



- Clay-based formula provides longer marking mileage
- Makes weather-resistant, water-resistant marks

Item #	Description	Std Pkg
043-80321	#500 Yellow Clay Base Lumber Crayon	12 ea
043-80322	#500 Red Clay Base Lumber Crayon	12 ea
043-80351	#200 Yellow Wax Base Lumber Crayon	12 ea



Temperature Indicator Stick



- Accurate, fast, low-cost method for measuring surface temperatures
- When desired temperature is reached, the mark quickly melts to a glossy, transparent-appearing liquid
- Accurate to within 1% of rated temperature

Item #	Description	Std Pkg
043-86400	100° F Thermomelt Temperature Indicator Stick	12 ea
043-86436	125° F Thermomelt Temperature Indicator Stick	12 ea
043-86463	150° F Thermomelt Temperature Indicator Stick	12 ea
043-86481	175° F Thermomelt Temperature Indicator Stick	12 ea
043-86517	200° F Thermomelt Temperature Indicator Stick	12 ea
043-86544	225° F Thermomelt Temperature Indicator Stick	12 ea
043-86562	250° F Thermomelt Temperature Indicator Stick	12 ea
043-86589	275° F Thermomelt Temperature Indicator Stick	12 ea
043-86625	300° F Thermomelt Temperature Indicator Stick	12 ea
043-86733	400° F Thermomelt Temperature Indicator Stick	12 ea
043-86751	425° F Thermomelt Temperature Indicator Stick	12 ea
043-86769	450° F Thermomelt Temperature Indicator Stick	12 ea
043-86787	475° F Thermomelt Temperature Indicator Stick	12 ea
043-86814	525° F Thermomelt Temperature Indicator Stick	12 ea
043-86823	550° F Thermomelt Temperature Indicator Stick	12 ea
043-86832	575° F Thermomelt Temperature Indicator Stick	12 ea
043-86841	600° F Thermomelt Temperature Indicator Stick	12 ea

Trades Marker All-Purpose



- Retractable grease pencil offers more convenience and longevity
- Marks on plastic, glass, wood, metal, china, cardboard, paper, etc.

Item #	Description	Std Pkg
043-96000	Trades Marker All-Purpose Marker w/5 Asst. Refills	24 ea

Round Metal Marker



- Resistant to torch flames
- Won't rub off like soapstone
- Marks on all types of metal surfaces
- Ideal for metal layout and fabrication work
- Round holder features a built-in sharpener

Item #	Description	Std Pkg
043-96006	Silver Streak Round Metal Marker	24 ea

Refill Tips



- Highly visible marks
- Will not rub, burn or blow off surface
- Superior to soapstone in markability and durability
- Marks on oily, wet or rusty metals

Item #	Description	Std Pkg
043-96007	6 pk Silver Streak Refill Tips	24 pkg

Welders Pencil



- Highly visible marks
- Marks resistant to torch flames
- Will not rub off or burn off like soapstone
- Perfect for metal layout and fabrication work

Item #	Description	Std Pkg
043-96101	Silver Streak Welders Pencils	12 ea

Dura-Ink Felt Tip Marker



- Dura-Ink is the must-have, multi-purpose felt-tip marker that all jobsites, workshops and shipping departments demand.
- Unbeatable in versatility
- Dura-Ink is the choice for every industrial application

Item #	Description	Std Pkg
043-96022	Dura-Ink 15 Red Felt 1/16" Bullet Tip Marker	12 ea
043-96023	Dura-Ink 15 Black Felt 1/16" Bullet Tip Marker	12 ea

Dura-Ink King Size Felt Tip Marker



- Chisel tip makes both fine or broad marks
- Smear- and water-resistant
- Heavy-duty metal barrel contains extra-large ink supply

Item #	Description	Std Pkg
043-96222	Dura-Ink 25 Red Felt 1/4" Chisel Tip Marker	12 ea
043-96223	Dura Ink 25 Black Felt 1/4" Chisel Tip Marker	12 ea

Dura-Ink Retractable Tip Marker



- One-handed, push button operation
- Fast-drying, wear and water-resistant formula
- Auto-storing clip instantly retracts tip to reduce mess or tip damage

Item #	Description	Std Pkg
043-96575	Dura Ink 20 Black Retractable Bullet Tip Marker	12 ea

Pro-Line HP Valve Action Marker



- Leaves permanent, highly visible marks that dry quickly
- Writing capability on oily, soapy and wet surfaces
- Marking temperature range -50°F to 150°F

Item #	Description	Std Pkg
043-96960	Pro-Line High Purity Marker - White	12 ea
043-96961	Pro-Line High Purity Marker - Yellow	12 ea
043-96962	Pro-Line High Purity Marker - Red	12 ea
043-96963	Pro-Line High Purity Marker - Black	12 ea
043-96965	Pro Line High Purity Marker - Blue	12 ea



Valve Action Marker



- Releases paint on-demand for smooth, continuous use
- Long lasting weather- water- and UV-resistant marks
- Markers with real paint, dries in 3 minutes
- Marks on all surfaces, Tip size 1/8"
- Marking range -50°F to 150°F

Item #	Description	Std Pkg
043-96800	Valve Action White Marker (Carded)	12 ea
043-96820	Valve Action White Marker	12 ea
043-96821	Valve Action Yellow Marker	12 ea
043-96822	Valve Action Red Marker	12 ea
043-96823	Valve Action Black Marker	12 ea
043-96824	Valve Action Orange Marker	12 ea
043-96825	Valve Action Blue Marker	12 ea
043-96826	Valve Action Green Marker	12 ea
043-96827	Valve Action Gold Marker	12 ea
043-96830	Valve Action Pink Marker	12 ea
043-96832	Valve Action Aluminum Marker	12 ea

Pro-Line Valve Action Marker



- Dries to a permanent mark in 15-30 seconds
- Will write on any metal, plastic, glass, ceramic, masonry, wood, cardboard, chipboard and all painted surfaces

Item #	Description	Std Pkg
043-96871	Pro-Line Fine Valve Action Marker - White	12 ea
043-96873	Pro-Line Valve Action Marker - Black	12 ea
043-96874	Pro-Line Valve Action Marker - Red	12 ea



Adjustable Wrench - Chrome



- Drop forged alloy steel
- Extra wide capacity
- Thin tapered head
- 22 1/2 degree angle
- Chrome finish

Item #	Description	Std Pkg
195-A10	10" Chrome Adjustable Wrench	6 ea
195-A12	12" Chrome Adjustable Wrench	6 ea
195-A15	15" Chrome Adjustable Wrench	6 ea
195-A18	18" Chrome Adjustable Wrench	6 ea
195-A24	24" Chrome Adjustable Wrench	6 ea
195-A6	6" Chrome Adjustable Wrench	6 ea
195-A8	8" Chrome Adjustable Wrench	6 ea

Adjustable Wrench - Black



- Drop forged alloy steel
- Extra wide capacity
- Thin tapered head
- 22 1/2 degree angle
- Industrial black finish

Item #	Description	Std Pkg
195-A10T	10" Black Adjustable Wrench	6 ea
195-A12T	12" Black Adjustable Wrench	6 ea
195-A15T	15" Black Adjustable Wrench	6 ea
195-A18T	18" Black Adjustable Wrench	6 ea
195-A24T	24" Black Adjustable Wrench	6 ea
195-A6T	6" Black Adjustable Wrench	6 ea
195-A8T	8" Black Adjustable Wrench	6 ea

Pull Wrench - Black Oxide



- Offset pattern
- Black industrial finish
- Drop forged

Item #	Description	Std Pkg
195-8707	1-1/16" Tube Wrench	Bulk
195-8707A	1-1/8" Tube Wrench	Bulk
195-8708	1-1/4" Tube Wrench	Bulk
195-8708A	1-5/16" Tube Wrench	Bulk
195-8708B	1-3/16" Tube Wrench	Bulk
195-8709	1-7/16" Tube Wrench	Bulk
195-8709A	1-1/2" Tube Wrench	Bulk
195-8709B	1-3/8" Tube Wrench	Bulk
195-8710	1-5/8" Tube Wrench	Bulk
195-8710A	1-11/16" Tube Wrench	Bulk
195-8711	1-13/16" Tube Wrench	Bulk
195-8711A	1-7/8" Tube Wrench	Bulk
195-8711B	1-3/4" Tube Wrench	Bulk
195-8712	2" Tube Wrench	Bulk
195-8712A	1-15/16" Tube Wrench	Bulk
195-8713	2-3/16" Tube Wrench	Bulk
195-8713A	2-1/4" Tube Wrench	Bulk
195-8713B	2-1/8" Tube Wrench	Bulk
195-8714	2-3/8" Tube Wrench	Bulk
195-8714A	2-5/16" Tube Wrench	Bulk
195-8715	2-9/16" Tube Wrench	Bulk
195-8715A	2-5/8" Tube Wrench	Bulk
195-8715B	2-1/2" Tube Wrench	Bulk
195-8716	2-3/4" Tube Wrench	Bulk
195-8716B	2-15/16" Tube Wrench	Bulk
195-8716C	2-7/8" Tube Wrench	Bulk
195-8717	3" Tube Wrench	Bulk
195-8717A	3-1/8" Tube Wrench	Bulk



Pull Wrench Handle - Black Oxide



- Black oxide finish
- 24" or 36" Handle
- Manufactured from steel bar

Item #	Description	Std Pkg
195-24TWH	24" Tube Wrench Handle	Bulk
195-36TWH	36" Tube Wrench Handle	Bulk

Offset Striking Wrench - 12pt



- Offset pattern, 12 point
- Black industrial finish
- Drop forged

Item #	Description	Std Pkg
195-8807	1-1/16" 12pt Offset Striking Wrench	Bulk
195-8807A	1-1/8" 12pt Offset Striking Wrench	Bulk
195-8807B	1" 12pt Offset Striking Wrench	Bulk
195-8808	1-1/4" 12pt Offset Striking Wrench	Bulk
195-8808A	1-5/16" 12pt Offset Striking Wrench	Bulk
195-8808B	1-3/16" 12pt Offset Striking Wrench	Bulk
195-8809	1-7/16" 12pt Offset Striking Wrench	Bulk
195-8809A	1-1/2" 12pt Offset Striking Wrench	Bulk
195-8809B	1-3/8" 12pt Offset Striking Wrench	Bulk
195-8810	1-5/8" 12pt Offset Striking Wrench	Bulk
195-8810A	1-11/16" 12pt Offset Striking Wrench	Bulk
195-8811	1-13/16" 12pt Offset Striking Wrench	Bulk
195-8811A	1-7/8" 12pt Offset Striking Wrench	Bulk
195-8811B	1-3/4" 12pt Offset Striking Wrench	Bulk
195-8812	2" 12pt Offset Striking Wrench	Bulk
195-8812A	1-15/16" 12pt Offset Striking Wrench	Bulk
195-8813	2-3/16" 12pt Offset Striking Wrench	Bulk
195-8813A	2-1/4" 12pt Offset Striking Wrench	Bulk
195-8813B	2-1/8" 12pt Offset Striking Wrench	Bulk
195-8814	2-3/8" 12pt Offset Striking Wrench	Bulk
195-8814A	2-5/16" 12pt Offset Striking Wrench	Bulk
195-8815	2-9/16" 12pt Offset Striking Wrench	Bulk
195-8815A	2-5/8" 12pt Offset Striking Wrench	Bulk
195-8815B	2-1/2" 12pt Offset Striking Wrench	Bulk
195-8816	2-3/4" 12pt Offset Striking Wrench	Bulk
195-8816B	2-15/16" 12pt Offset Striking Wrench	Bulk
195-8816C	2-7/8" 12pt Offset Striking Wrench	Bulk
195-8817	3" 12pt Offset Striking Wrench	Bulk
195-8817A	3-1/8" 12pt Offset Striking Wrench	Bulk
195-8818	3-1/2" 12pt Offset Striking Wrench	Bulk
195-8818A	3-3/8" 12pt Offset Striking Wrench	Bulk
195-8819	3-7/8" 12pt Offset Striking Wrench	Bulk
195-8819A	4-1/4" 12pt Offset Striking Wrench	Bulk
195-8819B	3-3/4" 12pt Offset Striking Wrench	Bulk
195-8819C	4-1/8" 12pt Offset Striking Wrench	Bulk

Striking Wrench - 6pt



- Straight pattern, 6 point
- Alloy steel
- Drop forged

Item #	Description	Std Pkg
195-RN7063	1-1/16" 6pt Roughneck "Hammer Wrench"	Bulk
195-RN7075	1-1/4" 6pt Roughneck "Hammer Wrench"	Bulk
195-RN7088	1-7/16" 6pt Roughneck "Hammer Wrench"	Bulk
195-RN7100	1-5/8" 6pt Roughneck "Hammer Wrench"	Bulk
195-RN7113	1-13/16" 6pt Roughneck "Hammer Wrench"	Bulk
195-RN7125	2" 6pt Roughneck "Hammer Wrench"	Bulk
195-RN7138	2-3/16" 6pt Roughneck "Hammer Wrench"	Bulk
195-RN7150	2-3/8" 6pt Roughneck "Hammer Wrench"	Bulk
195-RN7163	2-9/16" 6pt Roughneck "Hammer Wrench"	Bulk
195-RN7175	2-3/4" 6pt Roughneck "Hammer Wrench"	Bulk
195-RN7188	2-15/16" 6pt Roughneck "Hammer Wrench"	Bulk
195-RN7200	3-1/8" 6pt Roughneck "Hammer Wrench"	Bulk
195-RN7225	3-1/2" 6pt Roughneck "Hammer Wrench"	Bulk
195-RN7250	3-7/8" 6pt Roughneck "Hammer Wrench"	Bulk

Broad Head Bull Pin



- Perfect for aligning bolt holes
- One-piece design with uniform taper blending into body diameter

Item #	Description	Std Pkg
195-649	1-1/16" Broad Head Bull Pin	1 ea
195-650	1-1/4" Broad Head Bull Pin	1 ea



Marvel Mystery Oil - 16 oz



- Prevents oil breakdown caused by extreme temperatures
- Cleans and lubricates fuel injectors and carburetors
- Reduces and prevents varnish and gum build-up
- Prevents valve sticking and clatter
- Helps improve fuel economy
- Add to Gas or Oil

Item #	Description	Std Pkg
026-MM12R	16 oz Mystery Oil Bottle	6 ea

Marvel Mystery Oil - 32 oz



- Prevents oil breakdown caused by extreme temperatures
- Cleans and lubricates fuel injectors and carburetors
- Reduces and prevents varnish and gum build-up
- Prevents valve sticking and clatter
- Helps improve fuel economy
- Add to Gas or Oil

Item #	Description	Std Pkg
026-MM13R	32 oz Mystery Oil Bottle	6 ea



Marvel Mystery Oil - 1 gal



- Prevents oil breakdown caused by extreme temperatures
- Cleans and lubricates fuel injectors and carburetors
- Reduces and prevents varnish and gum build-up
- Prevents valve sticking and clatter
- Helps improve fuel economy
- Add to Gas or Oil

Item #	Description	Std Pkg
026-MM14R	1 Gallon Mystery Oil	4 ea

Air Tool Oil - 4 oz



- Prevents rust formation
- Dissolves gum and sludge
- Lengthens the life of your tools
- Provides positive lubrication for smooth starting

Item #	Description	Std Pkg
026-MM080R	4 oz Oil Air Tool Oil Bottle	12 ea

Air Tool Oil - 32 oz



- Prevents rust formation
- Dissolves gum and sludge
- Lengthens the life of your tools
- Provides positive lubrication for smooth starting

Item #	Description	Std Pkg
026-MM85R1	32 oz Oil Air Tool Oil Bottle	6 ea

MASTER PORTABLE HEATERS

Forced Air Kerosene Heater



- Works with kerosene, JP8, jet a fuel, #1 and #2 diesel fuel oil
- Includes wheel and handle kits
- Heavy duty pneumatic tires

Item #	Description	Std Pkg
089-MH-135T-KFA	135,000 BTU Kerosene Forced Air Heater	1 ea
089-MH-190T-KFA	190,000 BTU Kerosene Forced Air Heater	1 ea
089-MH-215T-KFA	215,000 BTU Kerosene Forced Air Heater	1 ea

Portable Propane Heater



- 18,000 BTU
- Radiant style heat
- 3 variable heat settings
- Hose and regulator included
- 4 rear locking rolling caster wheels

Item #	Description	Std Pkg
089-MH-18-PCH	18,000 BTU Portable Cabinet Heater	1 ea

Single Head Propane Heater



- 16,000 BTU
- 3 Heat settings
- Match light ignition
- Hose and regulator included

Item #	Description	Std Pkg
089-MH-16-TTC	16,000 BTU Single Head LP Tank Top Heater	1 ea

Dual Head Propane Heater



- Dual head
- 32,000 BTU
- 3 Heat settings
- Match light ignition
- Hose and regulator included

Item #	Description	Std Pkg
089-MH-32-TTC	32,000 BTU Dual Head LP Tank Top Heater	1 ea

Master Lock

No. 175 Combination Padlock



- 2" Solid brass case
- 1" long, 5/16" diameter
- Hardened steel shackle
- Set-your-own 4-digit combination

Item #	Description	Std Pkg
224-175D	No. 175 Brass Combination Padlock Lock	6 ea

No. 175 Long Shackle Combination Padlock



- 2" Solid brass case
- Hardened steel shackle
- Set-your-own 4 digit combination
- 2-1/4" long, 5/16" diameter shackle

Item #	Description	Std Pkg
224-175DLH	No. 175 Brass Combination Padlock Lock (Carded)	6 ea
224-175LH	No. 175 Brass Combination Padlock Lock (Boxed)	6 ea

No. 176 Combination Padlock



- 2" Solid brass case
- Hardened steel shackle
- 1" Long, 5/16" diameter shackle
- Set-your-own 4 digit combination
- Over-ride key **SOLD SEPARATELY**

Item #	Description	Std Pkg
224-176	No. 176 Brass Combination Padlock	6 ea

No. 176 Long Shackle Combination Padlock



- 2" Solid brass case
- Hardened steel shackle
- Set-your-own 4 digit combination
- 2-1/4" Long, 5/16" diameter shackle
- Over-ride key **SOLD SEPARATELY**

Item #	Description	Std Pkg
224-176LH	No. 176 Brass Combination Padlock	6 ea

**Master
Lock**

No. 176 Over-Ride Key



- Use with No. 176 locks
- Order Override Keys & Locks Together

Item #	Description	Std Pkg
224-K7	No. 176 Over-Ride Key (Must Order with Locks)	6 ea

American Lock Padlock - Keyed Alike



- Keyed Alike
- Hardened steel shackle
- 1-3/4" Solid brass body
- Dual ball bearing locking mechanism
- 1-1/8" long, 5/16" diameter shackle

Item #	Description	Std Pkg
224-AL50KA-D101	2" Solid Brass Keyed Alike Padlock	6 ea
224-AL50KA-D694	2" Solid Brass Keyed Alike Padlock	6 ea

No. 178 Combination Padlock



- 2" die cast body
- Black powder coat
- Hardened steel shackle
- 1" long, 5/16" diameter shackle
- Set-your-own 4 digit combination

Item #	Description	Std Pkg
224-178BLK	No. 178 Die-Cast Black Combination Padlock	6 ea

No. 1 Padlock - Keyed Alike



- Keyed Alike
- Dual locking levers
- Hardened steel shackle
- 1-3/4" Laminated steel body
- 15/16" long, 5/16" diameter shackle

Item #	Description	Std Pkg
224-1KA	No. 1 Keyed Alike Steel Padlock - Specify Key #	6 ea

No. 1 Padlock



- Dual locking levers
- Hardened steel shackle
- 1-3/4" Laminated steel body
- 15/16" long, 5/16" diameter shackle

Item #	Description	Std Pkg
224-1KD	No. 1 Keyed Different Padlock	6 ea

No. 1 Long Shackle Padlock - Keyed Alike



- Keyed Alike
- Dual locking levers
- Hardened steel shackle
- 1-3/4" Laminated steel body
- 2-1/2" long, 5/16" diameter shackle

Item #	Description	Std Pkg
224-1KALJ	No. 1 Keyed Alike Padlock - Specify Key #	6 ea

No. 1 Long Shackle Padlock



- Dual locking levers
- Hardened steel shackle
- 1-3/4" Laminated steel body
- 2-1/2" long, 5/16" diameter shackle

Item #	Description	Std Pkg
224-1LJKD	No. 1 Keyed Different Padlock	6 ea

No. 3 Padlock - Keyed Alike



- Keyed Alike
- Dual locking levers
- Hardened steel shackle
- 1-9/16" Laminated steel body
- 3/4" long, 9/32" diameter shackle

Item #	Description	Std Pkg
224-3KA	No. 3 Keyed Alike Steel Padlock - Specify Key #	6 ea

No. 3 Padlock



- Dual locking levers
- Hardened steel shackle
- 1-9/16" Laminated steel body
- 3/4" long, 9/32" diameter shackle

Item #	Description	Std Pkg
224-3KD	No. 3 Keyed Different Padlock	6 ea

No. 3 Long Shackle Padlock



- Dual locking levers
- Hardened steel shackle
- 1-9/16" Laminated steel body
- 2" long, 9/32" diameter shackle

Item #	Description	Std Pkg
224-3LH	No. 3 Keyed Different Long Shackle Padlock	6 ea

No. 5 Padlock -Keyed Alike



- Keyed Alike
- Dual locking levers
- Hardened steel shackle
- 2" Laminated steel body
- 1" long, 3/8" diameter shackle

Item #	Description	Std Pkg
224-5KA	No. 5 Keyed Alike Steel Padlock - Specify Key #	6 ea

No. 5 Padlock



- Dual locking levers
- Hardened steel shackle
- 2" Laminated steel body
- 1" long, 3/8" diameter shackle

Item #	Description	Std Pkg
224-5KD	No. 5 Keyed Different Padlock	6 ea

**Master
Lock.**

No. 5 Long Shackle Padlock - Keyed Alike



- Keyed Alike
- Dual locking levers
- Hardened steel shackle
- 2" Laminated steel body
- 2-1/2" long, 3/8" diameter shackle

Item #	Description	Std Pkg
224-5KALJ	No. 5 Keyed Alike Padlock - Specify Key #	6 ea

No. 7 Padlock - Keyed Alike



- Keyed Alike
- Dual locking levers
- Hardened steel shackle
- 1-1/8" Laminated steel body
- 9/16" long, 3/16" diameter shackle

Item #	Description	Std Pkg
224-7KA	No. 7 Keyed Alike Steel Padlock - Specify Key #	6 ea

No. 7 Padlock



- Dual locking levers
- Hardened steel shackle
- 1-1/8" Laminated steel body
- 9/16" long, 3/16" diameter shackle

Item #	Description	Std Pkg
224-7KD	No. 7 Keyed Different Padlock	6 ea

No. 7 Long Shackle Padlock - Keyed Alike



- Keyed Alike
- Dual locking levers
- Hardened steel shackle
- 1-1/8" Laminated steel body
- 2-1/2" long, 3/16" diameter shackle

Item #	Description	Std Pkg
224-7KALJ	No. 7 Keyed Alike Padlock - Specify Key #	6 ea

No. 15 Padlock - Keyed Alike



- Keyed Alike
- Dual locking levers
- Hardened steel shackle
- 2-1/2" Laminated steel body
- 1-1/4" long, 7/16" diameter shackle

Item #	Description	Std Pkg
224-15KA	No. 15 Keyed Alike Padlock - Specify Key #	6 ea

No. 1177 Shrouded Brass Resettable Padlock



- Resettable combination lock
- Set-your-own 4-digit combination, 10,000 possible combinations
- No reset tool required

Item #	Description	Std Pkg
224-1177	2-1/4" Brass Lock	4 ea

Cable Gun Lock - Keyed Alike



- Keyed Alike
- CA approved
- Dead bolt locking mechanism
- 14" long, 0.22" diameter cable
- Armored cable with brass ends
- Open / close with key only

Item #	Description	Std Pkg
224-107KADSPT	Keyed Alike Cable Gun Lock w/14" Cable	6 ea

Hidden Shackle Padlock Hasp



- 9" x 4-1/2" solid steel hasp
- Defeats attempts to pry and cut
- Use with 6720 and 6271 shackle lock

Item #	Description	Std Pkg
224-770	9" x 4-1/2" Hidden Shackle Padlock Hasp	12 ea

410 Lockout Padlock



- 1-1/2" Thermoplastic body
- Permanent write-on labels
- 1-1/2" long, 1/4" diameter shackle
- Other colors available upon request
- Durable, lightweight, non-conductive body

Item #	Description	Std Pkg
224-410-RED	410 Safety Lockout KD Red Padlock 6 Pin	6 ea

410 Lockout Padlock - Keyed Alike



- Keyed Alike
- 1-1/2" Thermoplastic body
- Permanent write-on labels
- 1-1/2" long, 1/4" diameter shackle
- Other colors available upon request
- Durable, lightweight, non-conductive body

Item #	Description	Std Pkg
224-410KA-RED	410 Safety Lockout KA Red Padlock 6 Pin	6 ea

Adjustable Cable Lockout



- 5/32" diameter x 6' pull-tight cable
- Tough, lightweight thermoplastic body
- Integrated safety lockout hasp and cable
- Includes high-visibility, write-on safety labels

Item #	Description	Std Pkg
224-S806	6' Cable Lockout 5/32" Cable	6 ea

**Master
Lock**

4-Lock Padlock Station



- (2) 420 hasps
- (12) 497A lockout tags
- (4) 410RED padlocks, keyed different
- Lockable translucent cover

Item #	Description	Std Pkg
224-1482BP410	4 Padlock Lockout Station w/Hasp & Tags	1 ea

Group Lock-Out Box



- Ergonomic handle
- Durable powder-coated red finish
- Accommodates up to 12 workers
- "Lock Out" message in English, Spanish and French

Item #	Description	Std Pkg
224-498A	Latch-Tight Portable Red Group Lock-Out Box	1 ea

Safety Lockout Hasp



- Steel lockout hasp
- Heavy gauge steel jaw
- Red vinyl coated handle
- Holds up to 6 safety padlocks

Item #	Description	Std Pkg
224-420	1" Red Safety Lockout Hasp w/Steel Jaws	12 ea
224-421	1-1/2" Red Safety Lockout Hasp w/Steel Jaws	12 ea

Labeled Snap-on Lockout Hasp



- Red lockout hasp with tagout identification for multiple workers
- Easy-to-apply 'snap-on' with spring-loaded locking arm
- Anodized aluminum and stainless steel construction
- Complete with high visibility, write-on safety labels

Item #	Description	Std Pkg
224-427	Snap-on Hasp Red Labeled	12 ea

Do Not Operate Tags



- Complies with OSHA
- Contains 12 tags and 12 ties
- 5-3/4" high x 3-1/8" wide tags
- 7/16" diameter brass grommet
- Resists water, grease and extreme temperatures

Item #	Description	Std Pkg
224-497A	DANGER DO NOT OPERATE Lock-Out Tags	1 bag

No. 377KA Trailer Coupler Lock



- Keyed Alike
- Fits 1-7/8", 2" and most 2-5/16" trailer couplers

Item #	Description	Std Pkg
224-377KA	Universal Coupler Lock	4 ea



5000 Lumenator LED Area Light



- High: 2100 Lumens
- Low: 600 Lumens
- Adjustable 180° head
- Compact, lightweight, rechargeable

Item #	Description	Std Pkg
254-MXN05000	5000 Lumenator Rechargeable Area Light	6 ea

5200 Lumenator LED Area Light



- High: 1250 Lumens
- Medium: 600 Lumens
- Low: 300 Lumens
- Adjustable 180° head
- Compact, lightweight, rechargeable

Item #	Description	Std Pkg
254-MXN05200	5200 Lumenator Jr. Rechargeable Area Light	8 ea

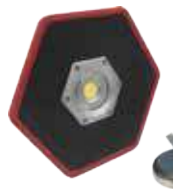
5400 Lumenator LED Area Light



- High: 4300 Lumens
- Medium: 2300 Lumens
- Low: 1100 Lumens
- Adjustable 180° head
- USB port to charge cell phones
- Compact, lightweight, rechargeable

Item #	Description	Std Pkg
254-MXN05400	5400 Lumenator Sr Rechargeable Area Light	4 ea

5400 Lumenator LED Area Light - Magnetic Base



- Magnetic base, Adjustable 180° head
- High: 4300 Lumens
- Medium: 2300 Lumens
- Low: 1100 Lumens
- USB port to charge cell phones

Item #	Description	Std Pkg
254-MXN5401	5400 Lumenator Rechargeable Area Light	1 ea

Telescopic Tripod - Single Head



- Extends 2' 6" to 5' 8"
- Includes mounting bracket
- Lights and magnets are not included

Item #	Description	Std Pkg
254-MXN10150	HD Tripod For Single Lumenator Flood Light	6 ea



Telescopic Tripod - Triple Head



- Extends 2' 6" to 5' 8"
- Holds 1, 2 or 3 Lumenator flood lights
- Includes crossbar and three mounting bracket
- Lights and magnets are not included

Item #	Description	Std Pkg
254-MXN10153	HD Tripod For 1, 2 or 3 Lumenator Flood Lights	6 ea

Lumenator Magnetic Base



- Powerful Neodymium magnetic base
- Attaches to the nylon handle
- Securely fasten Lumenator flood light to any ferrous metal surface

Item #	Description	Std Pkg
254-MXN10085	Lumenator Magnetic Base	10 ea

621 Rechargeable Headlamp



- High: 700 Lumens
- Medium: 400 Lumens
- Low: 150 Lumens
- 6x zoom lens
- Light head pivots down 90°

Item #	Description	Std Pkg
254-MXN00621	621 Tech. Headlamp Rechargeable	20 ea

621 Headlamp Battery Pack



- Spare battery pack
- Two 18650 Li-ion batteries
- Works with MXN00621 rechargeable headlamp

Item #	Description	Std Pkg
254-MXN00601	621 Headlamp Battery Pack	10 ea

621 Headlamp Car USB Adapter



- USB Car charger
- Works with MXN00621 rechargeable headlamp

Item #	Description	Std Pkg
254-MXN10132	621 Car Accessory USB Adapter	25 ea

621 Headlamp Charger



- USB port
- 100-240 VAC
- 5VDC 1A Power Supply
- Works with MXN00621 rechargeable headlamp

Item #	Description	Std Pkg
254-MXN10130	621 120V AC, 5V DC 1A Charger w/USB Port	1 ea



Black Oxide Cold Chisel



- Used to cut and shape metals softer than the cutting edge of the chisel
- Cutting-edge angle designed to provide greater strength
- Made in the USA

Item #	Description	Std Pkg
045-10200	1/4" x 5" Black Oxide Cold Chisel	12 ea
045-10201	5/16" x 4-3/4" Black Oxide Cold Chisel	12 ea
045-10202MAY	3/8" x 5-1/4" Black Oxide Cold Chisel	12 ea
045-10204	7/16" x 6" Black Oxide Cold Chisel	12 ea
045-10205	1/2" x 6" Black Oxide Cold Chisel	12 ea
045-10206	1/2" x 9" Black Oxide Cold Chisel	12 ea
045-10209	5/8" x 6-1/2" Black Oxide Cold Chisel	12 ea
045-10210	5/8" x 12" Black Oxide Cold Chisel	12 ea
045-10212	3/4" x 7" Black Oxide Cold Chisel	12 ea
045-10213	3/4" x 12" Black Oxide Cold Chisel	6 ea
045-10216	7/8" x 7-1/2" Black Oxide Cold Chisel	6 ea
045-10220	1" x 8" Black Oxide Cold Chisel	6 ea
045-10222	1" x 18" Black Oxide Cold Chisel	3 ea

Shot Blast Cold Chisel



- Used to cut and shape metals softer than the cutting edge of the chisel
- Cutting-edge angle designed to provide greater strength
- Made in the USA

Item #	Description	Std Pkg
045-70200	1/4" x 5" Cold Chisel w/Shot Blast Finish	12 ea
045-70202	3/8" x 5-1/2" Cold Chisel w/Shot Blast Finish	12 ea
045-70204	7/16" X 6" Cold Chisel Shot Blast Finish	12 ea
045-70205	1/2" x 6" Cold Chisel w/Shot Blast Finish	12 ea
045-70209	5/8" x 6-1/2" Cold Chisel w/Shot Blast Finish	12 ea
045-70212	3/4" x 7" Cold Chisel w/Shot Blast Finish	12 ea
045-70216	7/8" x 7-1/2" Cold Chisel w/Shot Blast Finish	6 ea
045-70220	1" x 8" Cold Chisel w/Shot Blast Finish	6 ea

Black Oxide Diamond Point Chisel



- Used to make a v-shaped groove in metal
- Provides a sharp pointed bottom to the grooves
- Available in varying cuts and lengths, for varying sizes of grooves
- Made in the USA

Item #	Description	Std Pkg
045-10602MAY	1/4" x 5-3/4" Black Oxide Diamond Point Chisel	12 ea
045-10603	5/16" x 6" Black Oxide Diamond Point Chisel	12 ea
045-10604	3/8" x 7" Black Oxide Diamond Point Chisel	6 ea
045-10605	1/2" x 7" Black Oxide Diamond Point Chisel	6 ea



Black Oxide Pin Punch



- Used to drive out and remove already loosened pins and keys after initial movement by a solid punch
- Variable point sizes and lengths for different applications
- Made in the USA

Item #	Description	Std Pkg
045-21000	1/16" x 4" Black Oxide Pin Punch	12 ea
045-21001	3/32" x 4-1/2" Black Oxide Pin Punch	12 ea
045-21002	1/8" x 4-3/4" Black Oxide Pin Punch	12 ea
045-21003	5/32" x 5" Black Oxide Pin Punch	12 ea
045-21004	3/16" x 5-1/4" Black Oxide Pin Punch	12 ea
045-21005	1/4" x 5-3/4" Black Oxide Pin Punch	12 ea
045-21011	7/32" x 5-1/2" Black Oxide Pin Punch	12 ea
045-21019	5/16" x 6" Black Oxide Pin Punch	12 ea

Black Oxide Regular Line-Up Punch



- Used to align holes through which rivets, pins, or bolts will be inserted
- Not for use when driving pins, rivets, or bolts
- Variable point size, shank size, and taper length for the perfect alignment
- Made in the USA

Item #	Description	Std Pkg
045-22010	1/8" x 7-7/8" Black Oxide Regular Line-Up Punch	12 ea
045-22012	3/16" x 10" Black Oxide Regular Line-Up Punch	12 ea
045-22013	5/16" x 12" Black Oxide Regular Line-Up Punch	6 ea
045-22017	3/8" x 15" Black Oxide Regular Line-Up Punch	6 ea
045-22024	1/2" x 18" Black Oxide Regular Line-Up Punch	6 ea

Black Oxide Regular Center Punch



- Used for piercing, or marking for starting drills, in metal and other materials
- Point sizes vary for larger or smaller holes
- Variable point size, shank size, and taper length for the perfect alignment
- Made in the USA

Item #	Description	Std Pkg
045-24000	1/4" x 4" Black Oxide Regular Center Punch	12 ea
045-24001	5/16" x 4-1/2" Black Oxide Regular Center Punch	12 ea
045-24002	3/8" x 5" Black Oxide Regular Center Punch	12 ea
045-24003	1/2" x 6" Black Oxide Regular Center Punch	12 ea
045-24004	5/8" x 6-1/4" Black Oxide Regular Center Punch	6 ea

Shot Blast Center Punch



- Used for piercing, or marking for starting drills, in metal and other materials
- Point sizes vary for larger or smaller holes
- Variable point size, shank size, and taper length for the perfect alignment
- Made in the USA

Item #	Description	Std Pkg
045-74003	1/2" x 6" Center Punch w/Shot Blast Finish	12 ea

Brass Pin Punch



- Used for non-marring applications; also designed to inhibit sparking
- Made from consumable brass, designed not to mar steel
- Made in the USA

Item #	Description	Std Pkg
045-25090	1/4" x 4" Brass Pin Punch	12 ea
045-25091	3/8" x 6" Brass Pin Punch	12 ea

Black Oxide Line-Up Pry Bar



- Long, tapered end for aligning and adjusting metal or wood
- Angled chisel end for extra leverage when prying
- Made in the USA

Item #	Description	Std Pkg
045-40000	14" Black Oxide Line-Up Pry Bar	6 ea
045-40001	16" Black Oxide Line-Up Pry Bar	6 ea
045-40002	20" Black Oxide Line-Up Pry Bar	6 ea
045-40003	24" Black Oxide Line-Up Pry Bar	3 ea
045-40022	38" Black Oxide Line-Up Pry Bar	3 ea
045-40023	42" Black Oxide Line-Up Pry Bar	3 ea
045-40024	60" Black Oxide Line-Up Pry Bar	1 ea

Shot Blast Line-Up Pry Bar



- Long, tapered end for aligning and adjusting metal or wood
- Angled chisel end for extra leverage when prying
- Made in the USA

Item #	Description	Std Pkg
045-75002	20" Economy Line-Up Pry Bar w/Shot Blast Finish	6 ea
045-75004	30" Economy Line-Up Pry Bar w/Shot Blast Finish	3 ea

Black Oxide Rolling Head Pry Bar



- Long, tapered end for aligning and adjusting metal or wood
- 90 degree angled chisel end for extra leverage when prying
- Rolling head helps provide leverage
- Made in the USA

Item #	Description	Std Pkg
045-40102	18" Black Oxide Rolling Head Pry Bar	6 ea
045-40104	22" Black Oxide Rolling Head Pry Bar	3 ea

Black Oxide Lady Foot Pry Bar



- Solid forged head
- Features a rocking head
- Pointed end is used for alignment
- Made in the USA

Item #	Description	Std Pkg
045-40152	5/8" x 16" Black Oxide Lady Foot Pry Bar	6 ea



Black Oxide Curved Screwdriver Pry Bar



- Used for prying and lifting
- Durable acetate handle provides a more comfortable and secure grip
- Made in the USA

Item #	Description	Std Pkg
045-40109	31" Black Oxide Curved Screwdriver Pry Bar	6 ea
045-40110	12" Black Oxide Curved Screwdriver Pry Bar	6 ea
045-40111	17" Black Oxide Curved Screwdriver Pry Bar	6 ea

Black Oxide Pry Bar



- Used for prying and lifting
- Durable acetate handle provides a more comfortable and secure grip
- Made in the USA

Item #	Description	Std Pkg
045-40138	36" 36-C Dominator Black Oxide Pry Bar	6 ea
045-40139	42" 42-C Dominator Black Oxide Pry Bar	6 ea
045-40162	58" 58-C Dominator Black Oxide Pry Bar	4 ea
045-40164	44" 44-C Dominator Black Oxide Pry Bar	4 ea
045-60146	25" 18-C Dominator Black Oxide Pry Bar	6 ea

Gooseneck Wrecking Bar



- Used in demolition for pulling, prying and removing nails from hardwood
- Powder coating for increased rust & damage protection
- Made in the USA

Item #	Description	Std Pkg
045-41003	30" Gooseneck Wrecking Bar	6 ea
045-41004	36" Gooseneck Wrecking Bar	6 ea

3 pc Line Up Pry Bar Set



- Includes: 40000 Regular 14" line-up pry bar, 40002 Regular 20" line-up pry bar, 40101 Regular 16" rolling head pry bar
- Comes in a tray
- Body type: hex

Item #	Description	Std Pkg
045-61306	3 Pc Line Up Pry Bar Set	1 set

Dominator Hook & Pick Set



- Used in automotive and electrical settings for tight spaces, scribing lines and o-ring removal
- Set includes: scratch awl, 90° hook, curved hook, & complex hook (all 10-inch OAL)
- Black oxide finish for additional rust protection
- Made in the USA with a Lifetime Warranty

Item #	Description	Std Pkg
045-60000	4 Pc Dominator Hook & Pick Set	1 set

Dominator MINI Hook & Pick Set



- Hardened chrome vanadium shafts
- Set includes a mini curved 90 degree hook complex hook and scratch awl
- Overall length is 6.5 inches

Item #	Description	Std Pkg
045-60003	4 Pc MINI Dominator Hook & Pick Set	1 set

4 Pc Screw Extractor Set w/Pouch



- Sizes Includes: 3/4", 7/8", 1-1/8", 1-3/8"
- Black Oxide Finish
- Heavy Duty Pouch
- Drill Size Stamped on each Tool

Item #	Description	Std Pkg
045-37331	4 pc Screw Extractor Set w/Pouch	1 set

5 Pc Screw Extractor Set w/Pouch



- Sizes: 1/4", 5/16", 3/8", 7/16", 1/2", 9/16", 5/8"
- Black Oxide Finish
- Corrosion Resistant
- Drill Size Stamped on each Tool

Item #	Description	Std Pkg
045-37332	5 pc Screw Extractor Set w/Pouch	1 set

Spiral Screw Extractor Set w/Pouch



- Spiral Design for Quick & Easy Removal of Broken Bolts, Screws & Pipe Stubs
- Removes Sizes 1/8" to 3/4"
- No Hammer Needed
- Comes in a Pouch

Item #	Description	Std Pkg
045-65085	5 pc Spiral Screw Extractor Set w/Pouch	1 set



Screw Extractor Set



- Hardened steel edges for easy removal of damaged screws
- Fluted cutting edges for cutting into the screw shaft
- Set includes a heavy duty case with extra space to store your drill bits

Item #	Description	Std Pkg
045-37345	10pc Screw Extractor Set 1/4'-1-1/2" SAE	1 set

Screwdriver Pry Bar Set



- Used for prying and lifting
- Blade are heat treated the entire length
- Curved blade style gives extra leverage
- Made in the USA

Item #	Description	Std Pkg
045-61350	3 pc Screwdriver Pry Bar Set in a Tray	1 set

HD Brass Punch Set



- Non-Marring/Non-Sparking, Will Not Damage Harder Steel Materials
- Includes 3/8" x 10", 7/16" x 14" Line up Punches and 3/4 x 12" Drift Punch
- Anti Slip Pouch For Convenient Storage

Item #	Description	Std Pkg
045-61365	3 pc Heavy Duty Brass Punch Set w/Pouch	1 set

6 Pc Combination Screwdriver Set



- #1,2,3 Phillips Tpi
- 3 Slotted Tip 1/4", 5/16", 7/32"
- Cats Paw Capped End Grip
- Carrying Case

Item #	Description	Std Pkg
045-66300	6 pc Combination Screwdriver Set w/Case	1 set

10 Pc Combination Screwdriver Set



- #1,2,3 Phillips Tip
- 5 Slotted Tip
- #2 Phil & Slotted Stubby
- Cats Paw Capped End Grip

Item #	Description	Std Pkg
045-66306	10 pc Combination Screwdriver Set w/Case	1 set

Hard Cap Cold Chisel Set



- Sharpest and Most Accurate
- Comfortable Grip Reduces Shock
- Minimized Hammer Kick-Back
- Sizes: 1/2", 3/4", 7/8" & 1"

Item #	Description	Std Pkg
045-66900	4 pc Hard Cap Cold Chisel Set w/Pouch	1 set

Hard Cap Pin Punch Set



- Unbreakable Polymer Cap
- Oil-Resistant Cushion Grip
- Minimized Kick-Back
- Sizes: 1/8", 5/32", 3/16", & 1/4"

Item #	Description	Std Pkg
045-66901	4 pc Hard Cap Pin Punch Set w/Pouch	1 set

Hard Cap Regular Punch Set



- Assorted Set
- 1/8" Starter Punch
- 7/32" & 1/4" Center Punch
- 7/32" Prick Punch

Item #	Description	Std Pkg
045-66902	4 pc Hard Cap Regular Punch Set w/Pouch	1 set

Assorted Pry Bar Set



- Lengths Range from 14" to 20"
- 1 Cold Chisel
- 3 Pry Bars

Item #	Description	Std Pkg
045-76284	4 pc Economy Assorted Pry Bar Set	1 set

5 Pc Cold Chisel Set



- Sizes: 1/4", 3/8", 1/2", 5/8", 3/4"
- Full Shank is Heat Treated
- 100% HT Tempered Alloy Steel
- Comes with a Pouch

Item #	Description	Std Pkg
045-90002	5 pc Cold Chisel Set Carded	1 set



6 Pc Cold Chisel Set



- Sizes: 1/4", 5/16", 3/8", 1/2", 5/8", 3/4"
- Black Oxide Finish
- Angled Cutting Edge
- Not For MASONRY

Item #	Description	Std Pkg
045-60560	6 pc Cold Chisel Set w/Pouch	1 set

5 Pc Center Punch Set



- Sizes: 1/4", 5/16", 3/8", 1/2", 5/8"
- High Quality Alloy Steel
- Black Oxide Finish
- Full Shank is Heat Treated

Item #	Description	Std Pkg
045-62214	5 pc Center Punch Set w/Pouch	1 set

7 Pc Center Punch Set



- Sizes: 1/4", 5/16", 3/8" Center
- 1/4" w/1/16"pt. & 1/4" w/5/64"pt
- 5/16" w/ 1/8" point
- 7/16" w/1/4" point
- Black Oxide Finish

Item #	Description	Std Pkg
045-60007	7 pc Center Punch Set w/Pouch	1 set

6 Pc Punch & Chisel Set



- Assorted Punch & Chisel Set
- 1/2" & 5/8" Cold Chisel
- 3/8" Center Punch
- 3/16" Solid Punch
- 1/8" & 3/16" Pin Punch
- Black Oxide Finish

Item #	Description	Std Pkg
045-61005	6 pc Punch & Chisel Set w/Pouch	1 set

19 Pc Punch & Chisel Set



- For loosening pins & keys or knocking out rivets
- Stainless steel

Item #	Description	Std Pkg
045-61019	19 pc Punch & Chisel Set w/Pouch	1 set

14 Pc Punch & Chisel Set



- For loosening pins & keys or knocking out rivets
- Stainless steel

Item #	Description	Std Pkg
045-61044	14 pc Punch & Chisel Set w/Pouch	1 set

20 pc Punch & Chisel Set



- For loosening pins & keys or knocking out rivets
- 1" diameter punch & chisel holder

Item #	Description	Std Pkg
045-62287	20 pc Punch & Chisel Set w/ Punch & Chisel Holder	1 ea

24 Pc Punch & Chisel Set



- Stainless steel
- For loosening pins & keys or knocking out rivets

Item #	Description	Std Pkg
045-61050	24 pc Punch & Chisel Set w/Pouch	1 set

Solid Punch Set



- Sizes: 3/32", 1/8", 3/16", 1/4", 5/32", 5/16"
- Hex Shank
- Black Oxide Finish
- Pouch Included

Item #	Description	Std Pkg
045-61340	6 pc Solid Punch Set w/Pouch	1 set

Dominator Curved Pry Bar Set



- **Includes:** Dominator 8-C (8"), 12-C (12"), 17-C (17"), 25-C (25"), 31-C (31")
- Two-composite, ergonomical handle
- Metal striking cap at the end of the handle

Item #	Description	Std Pkg
045-61366	5 pc Dominator Curved Pry Bar Set in a Tray	1 set

7-C Dominator Pry Bar - Clamshell



- A 12" OAL and a curved end that provides extra leverage
- Metal striking cap at the end of the handle
- Made in the USA with a Lifetime Warranty

Item #	Description	Std Pkg
045-60140	7-C Dominator 3/8"x12" Pry Bar	1 ea



Regular Punch Set



Includes:

- 1/8" & 3/16" Solid Punch
- 3/16" & 1/4" Pin Punch
- 3/8" Prick Punch
- 5/16" Center Punch

Item #	Description	Std Pkg
045-62030	6 pc Regular Punch Set w/Pouch	1 set

5 pc Pin Punch Set



- **Sizes:** 1/8, 3/16, 1/4, 5/16, 3/8"
- **Pin length:** 3.5" (1/8" point is 3")
- **Overall Length:** 8"
- **Finish:** Black oxide

Item #	Description	Std Pkg
045-62065	5 pc Pin Punch Kit	1 set

4 pc Line-Up Punch Set



- **Sizes:** 1/8", 5/32", 3/16", 1/4"
- Hex Shank
- Black Oxide Finish
- Pouch Included

Item #	Description	Std Pkg
045-62235	4 pc Line-Up Punch Set w/Pouch	1 ea

6 Pc Pilot Punch Set



- **Sizes:** 1/8", 5/32", 3/16", 7/32", 1/4", 5/16"
- Alloy Steel
- Round Shank
- Sand Blast Finish
- Pouch Included

Item #	Description	Std Pkg
045-62250	6 pc Pilot Punch Set w/Pouch	1 ea

9 Pc Pilot Punch Set



- **Sizes:** 1/16", 5/64", 3/32", 5/32", 7/32", 1/4", 5/16"
- Alloy Steel
- Round Shank
- Sand Blast Finish & Pouch

Item #	Description	Std Pkg
045-62252	9 pc Pilot Punch Set w/Pouch	1 ea

12 Pc Pilot Punch Set



- Allow steel with round shank
- Black oxide finish for rust protection
- Pouch included

Item #	Description	Std Pkg
045-62254	12 pc Pilot Punch Set w/Pouch	1 ea

3 pc Brass Drift Punch Set



Includes:

- 25075 3/4" Brass Drift Punch Knurled
- 25076 1/2" Brass Drift Punch
- 25077 3/8" Brass Drift Punch

Item #	Description	Std Pkg
045-61360	3 pc Brass Drift Punch Set in a Tray	1 ea

4 pc Assorted Brass Punch Set



Includes:

- 25077 3/8" Brass Drift Punch
- 25080 1/4" Brass Solid Punch
- 25090 1/4" Brass Pin Punch
- 25091 3/8" Brass Pin Punch

Item #	Description	Std Pkg
045-62277	4 pc Assorted Brass Punch Set Blister Pack	1 ea

5 pc Long Pin Punch Set



- **Sizes:** 1/8", 3/16", 1/4", 5/16", 3/8"
- Hex Shank, Round Tip
- Alloy Steel
- Sand Blast Finish
- Pouch Included

Item #	Description	Std Pkg
045-76065	5 pc Economy Long Pin Punch Set w/Pouch	1 ea

Welders Chipping Hammer



- 6-1/2" Pick & Chisel Head
- 11-1/2" PVC Handle
- Alloy Steel Construction
- Weight: 2-1/2 pounds

Item #	Description	Std Pkg
045-37003	16 oz Welder's Chipping Hammer w/PVC Handle	3 ea



Bearkat - Amber Lens



- Amber lens
- Scratch resistant lens
- Non-slip temple sleeves

Item #	Description	Std Pkg
212-BK114	Bearkat Amber Lens Glasses	12 ea



Bearkat - Anti-Fog Clear Lens



- Clear anti-fog lens
- Scratch resistant lens
- Non-slip temple sleeves

Item #	Description	Std Pkg
212-BK110AF	Bearkat Clear Anti-Fog Lens Glasses	12 ea

Bearkat - Clear Lens



- Clear lens
- Scratch resistant lens
- Non-slip temple sleeves

Item #	Description	Std Pkg
212-BK110	Bearkat Clear Lens Glasses	12 ea

Bearkat - Anti-Fog Gray Lens



- Gray anti-fog lens
- Scratch resistant lens
- Non-slip temple sleeves

Item #	Description	Std Pkg
212-BK112AF	Bearkat Gray Anti-fog Lens Glasses	12 ea

Bearkat - Gray Lens



- Gray lens
- Scratch resistant lens
- Non-slip temple sleeves

Item #	Description	Std Pkg
212-BK112	Bearkat Gray Lens Glasses	12 ea

Bearkat - Light Blue Lens



- Light blue lens
- Scratch resistant lens
- Non-slip temple sleeves

Item #	Description	Std Pkg
212-BK113	Bearkat Light Blue Lens Glasses	12 ea

Bearkat Glasses



- 1.5 or 2.0 Diopter
- Scratch resistant coating
- Polycarbonate lens filters

Item #	Description	Std Pkg
212-BKH15	Bearkat 1.5 Magnified Clear Lens Glasses	12 ea
212-BKH20	Bearkat 2.0 Magnified Clear Lens Glasses	12 ea

Checklite - Clear Lens



- Clear uncoated lens
- Notched for breakaway cord

Item #	Description	Std Pkg
212-CL110	Checklite Clear Lens Glasses	12 ea

Checklite - Gray Lens w/ Smoke Temples



- Gray lens
- Scratch resistant lens
- Notched for breakaway cord

Item #	Description	Std Pkg
212-CL112	Checklite Gray Lens Glasses w/Smoke Temples	12 ea

Checklite - Uncoated Clear Lens



- Clear uncoated lens
- Notched for breakaway cord

Item #	Description	Std Pkg
212-CL010	Checklite Uncoated Clear Lens Glasses	12 ea

Checkmate - Amber Lens



- Amber lens
- Scratch resistant lens
- Flexible bayonet temples

Item #	Description	Std Pkg
212-CK114	Checkmate Amber Lens Glasses	12 ea

Checkmate - Clear Lens



- Clear lens
- Scratch resistant lens
- Flexible bayonet temples

Item #	Description	Std Pkg
212-CK110	Checkmate Clear Coated Lens Glasses	12 ea

Checkmate - Gray Lens



- Gray lens
- Scratch resistant lens
- Flexible bayonet temples

Item #	Description	Std Pkg
212-CK112	Checkmate Gray Coated Lens Glasses	12 ea

Checkmate - I/O Clear Mirror Lens



- Clear mirror lens
- Scratch resistant lens
- Flexible bayonet temples

Item #	Description	Std Pkg
212-CK119	Checkmate I/O Clear Mirror Lens Glasses	12 ea



Checkmate - Silver Mirror Lens



- Silver mirror lens
- Scratch resistant lens
- Flexible bayonet temples

Item #	Description	Std Pkg
212-CK117	Checkmate Silver Mirror Lens Glasses	12 ea

Checkmate 2 Clear Lens & Temple Glasses



- Clear lens
- Scratch resistant lens
- Gel temples sleeves

Item #	Description	Std Pkg
212-CK210	Checkmate2 Clear Lens & Temple Glasses	12 ea

Checkmate 2 Gray Lens w/ Smoke Temple



- Gray lens
- Gel temples sleeves
- Scratch resistant lens

Item #	Description	Std Pkg
212-CK212	Checkmate2 Gray Lens Glasses w/Smoke Temple	12 ea

Dallas - Black Frame w/ Gray Lens



- Gray lens
- Polished black frame
- Scratch resistant lens

Item #	Description	Std Pkg
212-DL112	Dallas Black Frame w/Gray Lens Glasses	12 ea

Dallas - Black Frame w/ Clear Lens



- Clear lens
- Polished black frame
- Scratch resistant lens

Item #	Description	Std Pkg
212-DL110	Dallas Black Frame w/Clear Lens Glasses	12 ea

Klondike - Black Frame w/ Clear Lens



- Clear lens
- Matte black frame
- Scratch resistant lens

Item #	Description	Std Pkg
212-KD110	Klondike Black Frame w/Clear Lens Glasses	12 ea

Klondike - Black Frame w/ Gray Lens



- Gray lens
- Matte black frame
- Scratch resistant lens

Item #	Description	Std Pkg
212-KD112	Klondike Black Frame w/Gray Lens Glasses	12 ea

Klondike - Black Frame w/Silver Mirror Lens



- Silver mirror lens
- Matte black frame
- Scratch resistant lens

Item #	Description	Std Pkg
212-KD117	Klondike Black Frame w/Silver Mirror Lens Glasses	12 ea

Klondike Plus Magnifiers - Gray Lens



- Gray lens & Black matte finish
- Magnifiers 2.0 Strength
- Adjustable spatula temple

Item #	Description	Std Pkg
212-K3H20G	Klondike 2.0 Magnified W/gray Lens Glasses	12 ea

Klondike Glasses - K3H20



- 2.0 diopters
- Clear lens & Black matte finish
- Adjustable spatula temple

Item #	Description	Std Pkg
212-K3H20	Klondike 2.0 Magnified Clear Lens Glasses	12 ea

Rubicon - Metal Frame w/ Emerald Mirror Lens



- Scratch resistant lens
- Metal non-slip temples
- Emerald mirror frameless lens

Item #	Description	Std Pkg
212-T411G	Rubicon Metal Frame w/Emerald Mirror Lens	12 ea

Rubicon - Metal Frame w/Fire Mirror Lens



- Scratch resistant lens
- Metal non-slip temples
- Fire mirror frameless lens

Item #	Description	Std Pkg
212-T411R	Rubicon Metal Frame w/Fire Mirror Lens	12 ea

Rubicon - Metal Frame w/Gry Anti-Fog Lens



- Gray anti-fog lens
- Metal non-slip temples
- Scratch resistant lens

Item #	Description	Std Pkg
212-T4112AF	Rubicon Metal Frame w/Gry Anti-Fog Lens	12 ea

Swagger - Gray Lens w/Black Frame



- Gray lens
- Black frame
- Scratch resistant lens

Item #	Description	Std Pkg
212-SR112	Swagger Gray Lens w/Black Frame Glasses	12 ea



Swagger - Silver Mirror Lens w/Black Frame



- Black frame
- Silver mirror lens
- Scratch resistant lens

Item #	Description	Std Pkg
212-SR117	Swagger Silver Mirror Lens w/Black Frame Glasses	12 ea

Swagger - Blue Diamond Lens w/Blue Frame



- Scratch resistant lens
- Blue diamond mirror lens
- Clear frame w/ blue temples

Item #	Description	Std Pkg
212-SR148B	Swagger Blue Diamond Lens w/Blue Frame Glasses	12 ea

Swagger - Fire Mirror Lens w/Red Temple



- Fire mirror lens
- Scratch resistant lens
- Clear frame w/ red temples

Item #	Description	Std Pkg
212-SR14R	Swagger Fire Mirror Lens w/Red Temple Glasses	12 ea

Swagger - Fire Mirror Lens w/Red Frame



- Red frame
- Fire mirror lens
- Scratch resistant lens

Item #	Description	Std Pkg
212-SR13R	Swagger Fire Mirror Lens w/Red Frame Glasses	12 ea

Swagger - Blue Diamond Mirror Lens w/White Frame



- White frame
- Scratch resistant lens
- Blue diamond mirror lens

Item #	Description	Std Pkg
212-SR128B	Swagger Blue Mirror Lens w/White Frame Glasses	12 ea

Triwear Glasses - T311R



- Hybrid temple design
- Non-slip, soft temple material
- Soft, secure TPR nose pad
- Resilient spring hinge metal temples

Item #	Description	Std Pkg
212-T311R	Triwear Metal Frame Fire Mirror Lens Glasses	12 ea

Tomahawk Glasses - TK110



- High brow guard
- Extendable spatula temple
- Polycarbonate lens filters 99.9%

Item #	Description	Std Pkg
212-TK110	Tomahawk Black Frame Clear Lens Glasses	12 ea

Tomahawk Glasses - TK112



- High brow guard
- Extendable spatula temple
- Polycarbonate lens filters 99.9%

Item #	Description	Std Pkg
212-TK112	Tomahawk Black Frame Gray Lens Glasses	12 ea

Tomahawk Glasses - TK130



- High brow guard
- Extendable spatula temple
- Polycarbonate lens filters 99.9%

Item #	Description	Std Pkg
212-TK130	Tomahawk Red/Wht/Blue Frame Clear Lens	12 ea

Lens Cleaning Anti-Fog Towelettes



- Lens cleaning station
- 100 wipes per box
- 10 boxes per case
- Wrapped in individual packets per box

Item #	Description	Std Pkg
212-LCT	100 ct Lens Cleaning Anti-Static /Fog Towelettes	1 box

Lens Cleaning Station w/Cleaner & Tissues



- Lens cleaning station
- 4 boxes of 300 tissues
- 16 oz spray solution bottle
- For plastic, polycarbonate and glass lenses

Item #	Description	Std Pkg
212-LCS2	16 oz Lens Cleaning Station	1 box

Aluminum Rim Headgear Bracket



- Aluminum bracket
- Works with most hard hats
- Choose from polycarbonate Or PETG faceshield material

Item #	Description	Std Pkg
212-102	Aluminum Rim Headgear Bracket for Hardhat	6 ea

Ratchet Take-Up Headgear



- Works with most hard hats
- Universally punched faceshield
- Protects against harmful UV rays
- Choose from polycarbonate or PETG material

Item #	Description	Std Pkg
212-103	Blue Ratchet Take-Up Headgear	1 ea



Clear Poly Universal Visor



- 8" x 15.5"
- Clear faceshield
- Polycarbonate material

Item #	Description	Std Pkg
212-181540	8" x 15.5" Clear .040 Poly Universal Visor	25 ea

Face Shield - Clear



- 8" x 15.5" x .040
- Single Matrix Face shield
- Clear PETG Material

Item #	Description	Std Pkg
212-486400	8" x 15" x .040 Face Shield Clear	12 ea

Stryker - Clear w/Anti-Fog Lens



- Clear anti-fog lens
- Scratch resistant coating
- Elastic or rubber adjustable strap

Item #	Description	Std Pkg
212-2310AF	Stryker Clear Goggle w/Anti-Fog Lens & Strap	1 ea

Chemical Goggle Clear Lens w/Strap



- Clear lens
- Indirect vent
- Scratch resistant coating

Item #	Description	Std Pkg
212-2230R	Chemical Goggle Clear Lens w/Strap	1 ea



3205 - Driver Gloves



- Unlined grain cow leather
- Shirred elastic back
- Split leather back
- Keystone thumb

Item #	Description	Std Pkg
212-3205L	Unlined Cow Leather Drivers Gloves - L	1 doz
212-3205M	Unlined Cow Leather Drivers Gloves - M	1 doz
212-3205S	Unlined Cow Leather Drivers Gloves - S	1 doz
212-3205XL	Unlined Cow Leather Drivers Gloves - XL	1 doz

Canvas Gloves - 9018C



- Knit wrist
- 18 oz nap-in
- Straight thumb
- 100% cotton material
- Sewn with red thread
- For low heat applications

Item #	Description	Std Pkg
212-9018C	18 oz Double Palm Knit Wrist Canvas Gloves	1 doz

Hi-Vis Canvas Gloves - 9018DG



- Green
- Knit wrist
- Nap-in material
- PVC dotted one side
- 2 layers of protective palm fabric

Item #	Description	Std Pkg
212-9018DG	18 oz Hi-Vis Green Canvas Gloves	1 doz

Hi-Vis Canvas Gloves - 9018DO



- Orange
- Knit wrist
- Nap-in material
- PVC dotted one side
- 2 layers of protective palm fabric

Item #	Description	Std Pkg
212-9018DO	18 oz Hi-Vis Orange Canvas Gloves	1 doz

String Knit Gloves - 9667L



- 7 gauge economy weight
- 60% cotton 40% polyester
- PVC dots on both sides
- PVC on tips of fingers

Item #	Description	Std Pkg
212-9667L	String Knit Natural PVC Black Dotted Gloves	1 doz

Dyneema Gloves - 9672



- ANSI cut level 2
- 13 gauge blended
- Seamless dyneema shell
- Gray polyurethane coating
- Fingertip and palm coating

Item #	Description	Std Pkg
212-9672L	Dyneema Gray PU Palm and Fingertip Gloves - L	1 doz
212-9672M	Dyneema Gray PU Palm and Fingertip Gloves - M	1 doz
212-9672S	Dyneema Gray PU Palm and Fingertip Gloves - S	1 doz
212-9672XL	Dyneema Gray PU Palm and Fingertip Gloves - XL	1 doz

Ultratech Gloves - 9696



- Excellent grip
- Greater dexterity
- Abrasion resistance
- Great tactile sensitivity
- Excellent comfort and fit

Item #	Description	Std Pkg
212-9696L	Ultratech Nylon Gloves - L	1 doz
212-9696M	Ultratech Nylon Gloves - M	1 doz
212-9696XL	Ultratech Nylon Gloves - XL	1 doz
212-9696XXL	Ultratech Nylon Gloves - XXL	1 doz



Nylon Black PU Gloves - 9669



- 13 gauge black nylon shell
- Black PU coated palm and fingertips
- Individually poly bagged by the pair
- Color coded hem to identify sizes

Item #	Description	Std Pkg
212-9669L	Nylon Black PU Gloves - L	1 doz

Nylon Foam Nitrile Gloves - 9673



- Knit Wrist
- Cool and Comfortable
- 13 Gauge Gray Nylon Shell
- Black Nitrile Foam Palm and Fingers

Item #	Description	Std Pkg
212-9673L	Nylon Foam Nitrile Gloves - L	1 doz
212-9673M	Nylon Foam Nitrile Gloves - M	1 doz
212-9673XL	Nylon Foam Nitrile Gloves - XL	1 doz

Ninja Gloves - N96793



- Excellent wet or dry grip
- 15 gauge nylon/spandex shell
- Great dexterity, flexibility, and movement
- Ergonomic design for minimum hand fatigue
- Breathable Nitrile Foam coating on palm, fingers, and over knuckles

Item #	Description	Std Pkg
212-N96793L	Ninja Nylon Gloves - L	1 doz
212-N96793XL	Ninja Nylon Gloves - XL	1 doz

Ninja Flex Gloves - N9680



- Great Fit and Grip
- 15 Gauge Red Nylon Shell
- Gray Latex Coated Palm and Fingertips

Item #	Description	Std Pkg
212-N9680L	Ninja Flex Nylon Gloves - L	1 doz
212-N9680XL	Ninja Flex Nylon Gloves - XL	1 doz

Forceflex Gloves - Y200



- Yellow mesh fabric backing
- Terrycloth on back of thumb for perspiration
- Adjustable hook and loop wrist closure w/nylon pull tab
- Injection molded TPR padding on the back of hand and fingers

Item #	Description	Std Pkg
212-Y200L	Forceflex Gloves - L	1 pr

Oil Hauler PVC Gloves



- PVC
- Jersey Lined
- Safety Cuff
- Premium Green
- Double Dipped Green PVC over Hi-Vis Orange

Item #	Description	Std Pkg
212-6410SC	"Oil Hauler" PVC Jersey Lined Gloves	1 box

Premium PVC Gloves - 6452S



- 12" Length
- Premium PVC
- Double Dipped
- Nitrile Reinforced
- Red Sandy Finish

Item #	Description	Std Pkg
212-6452S	Premium PVC Double Dipped Gloves	1 doz

Predator Nitrile Gloves - 9760



- Soft Jersey Lining
- Premium Nitrile Coating
- Safety Cuff for added safety
- Treated with Actifresh to reduce odor

Item #	Description	Std Pkg
212-9760	11" Predator Nitrile Gloves - L	1 doz

Predator Nitrile Gloves - 9761R



- The predator
- Soft jersey lining
- 2-1/2" safety cuff
- Treated with actifresh
- Fully coated rough nitrile

Item #	Description	Std Pkg
212-9761R	2-1/2" Safety Cuff Nitrile Gloves - L	1 doz

Nitri-Chem Nitrile Gloves - 5330S



- Nitri-chem
- 13" length
- Green nitrile
- Flock lined
- 18 mil thickness

Item #	Description	Std Pkg
212-5330S	18 mil Green Nitrile Gloves - Size 10	1 doz

Smooth PVC Gloves - 6212



- Interlock lined
- Industry standard
- 12" and 18" length
- Black smooth finish
- Single dipped PVC coated

Item #	Description	Std Pkg
212-6212	12" Black Dipped PVC Smooth Grip Gloves	1 doz



Smooth PVC Gloves - 6218



- Interlock lined
- Industry standard
- 12" and 18" length
- Black smooth finish
- Single dipped PVC coated

Item #	Description	Std Pkg
212-6218	18" Black Dipped PVC Smooth Grip Gloves	1 doz

Rough PVC Gloves - 6300R



- Rough finish
- 14" gauntlet
- Interlock lined
- Industry standard
- Single dipped PVC

Item #	Description	Std Pkg
212-6300R	14" Black Dipped PVC Rough Grip Gloves	1 doz

NitriShield Disposable Gloves - 6062



- NitriShield
- 12" length
- Powder free
- 6 mil black nitrile
- Industrial grade

Item #	Description	Std Pkg
212-6062L	6 mil Nitrile Disposable Gloves - L	1 box
212-6062M	6 mil Nitrile Disposable Gloves - M	1 box
212-6062XL	6 mil Nitrile Disposable Gloves - XL	1 box
212-6062XXL	6 mil Nitrile Disposable Gloves - 2XL	1 box

Sensaguard Disposable Gloves - 5060



- Powdered
- Chlorinated
- 9-1/2" length
- Industrial grade
- 5 mil natural latex

Item #	Description	Std Pkg
212-5060L	5 mil Latex Disposable Gloves - L	1 box
212-5060M	5 mil Latex Disposable Gloves - M	1 box
212-5060XL	5 mil Latex Disposable Gloves - XL	1 box

DuraShield Disposable Gloves - 6005



- Textured Grip
- Rolled Cuff
- 9.5 Inch Length
- 8 mil, Blue Powdered Nitrile

Item #	Description	Std Pkg
212-6005L	8 Mil Durashield Gloves - L	1 box
212-6005M	8 Mil Durashield Gloves - M	1 box
212-6005XL	8 Mil Durashield Gloves - XL	1 box

DuraShield Disposable Gloves - 6004



- Dura-shield
- Powder free
- 9-1/2" length
- 8 mil blue nitrile
- Economy industrial grade

Item #	Description	Std Pkg
212-6004L	8 mil Nitrile Disposable Gloves - L	1 box
212-6004XL	8 mil Nitrile Disposable Gloves - XL	1 box

NitriShield Disposable Gloves - 6060



- Powder free
- 9 inches length
- Industrial grade
- Black color hides soiling
- 3 mil disposable black nitrile

Item #	Description	Std Pkg
212-6060L	3 mil Nitrile Disposable Gloves - Large	1 box
212-6060XL	3 mil Nitrile Disposable Gloves - XL	1 box

NitriShield Disposable Gloves - 6015



- NitriShield
- Powder free
- Textured grip
- 9-1/2" length
- 4 mil blue nitrile
- Industrial grade

Item #	Description	Std Pkg
212-6015L	4 mil Nitrile Disposable Gloves - L	1 box
212-6015XL	4 mil Nitrile Disposable Gloves - XL	1 box

NitriShield Nitrile Gloves - 6016



- Medical Grade
- Nitri-med
- Powder Free
- 4 mil orange nitrile
- 9.5" length

Item #	Description	Std Pkg
212-6016OL	6 mil Nitrile Disposable Gloves - L	1 box
212-6016OXL	6 mil Nitrile Disposable Gloves - XL	1 box



Concord LFR Rain Coat - 800CN



- Plain back, Snap front
- 2 patch pockets
- Take-up snaps at wrists
- .35mm neoprene/nylon coat
- Hood Sold Separately

Item #	Description	Std Pkg
212-800CNL	.35mm x 49" LFR Rain Coat - L	1 ea
212-800CNX2	.35mm x 49" LFR Rain Coat - 2XL	1 ea
212-800CNX3	.35mm x 49" LFR Rain Coat - 3XL	1 ea
212-800CNXL	.35mm x 49" LFR Rain Coat - XL	1 ea



Rider Coat - 260C



- Detachable hood
- Reach through pockets
- Take up snaps at wrists
- .35 mm pvc on polyester
- Coat splits & snaps around legs
- Snap front, Cape ventilated back

Item #	Description	Std Pkg
212-260CL	.35mm x 60" Rider Coat - L	1 ea
212-260CM	.35mm x 60" Rider Coat - M	1 ea
212-260CX2	.35mm x 60" Rider Coat - 2XL	1 ea
212-260CX3	.35mm x 60" Rider Coat - 3XL	1 ea
212-260CX4	.35mm x 60" Rider Coat - 4XL	1 ea
212-260CXL	.35mm x 60" Rider Coat - XL	1 ea

Rider Coat - 267C



- Detachable hood
- Take up snaps at wrists
- .35 mm PVC on polyester
- Snap front, Cape ventilated back
- Coat splits & snaps around legs

Item #	Description	Std Pkg
212-267CL	.35mm x 60" Rider Coat - L	1 ea
212-267CX2	.35mm x 60" Rider Coat - 2XL	1 ea
212-267CX3	.35mm x 60" Rider Coat - 3XL	1 ea
212-267CX4	.35mm x 60" Rider Coat - 4XL	1 ea
212-267CX5	.35mm x 60" Rider Coat - 5XL	1 ea
212-267CXL	.35mm x 60" Rider Coat - XL	1 ea

LFR Rider Coat - FR267C



- Snap front, Corduroy collar
- Detachable hood, Limited flammability
- Cape ventilated back
- Reach through pockets
- Take up snaps at wrists
- .35 mm PVC on polyester
- Coat splits & snaps around legs

Item #	Description	Std Pkg
212-FR267CL	.35m x 60" LFR Rider Coat - L	1 ea
212-FR267CM	.35m x 60" LFR Rider Coat - M	1 ea
212-FR267CX2	.35m x 60" LFR Rider Coat - 2XL	1 ea
212-FR267CX3	.35m x 60" LFR Rider Coat - 3XL	1 ea
212-FR267CX4	.35m x 60" LFR Rider Coat - 4XL	1 ea
212-FR267CX5	.35m x 60" LFR Rider Coat - 5XL	1 ea
212-FR267CXL	.35m x 60" LFR Rider Coat - XL	1 ea

3pc LFR Rain Suit - 3003



- Detachable hood
- Limited flammability
- .28mm PVC/Nylon/PVC
- Snap front jacket
- Take-up snaps at waist and ankles

Item #	Description	Std Pkg
212-3003L	3pc .28mm LFR Rain Suit - L	1 ea
212-3003M	3pc .28mm LFR Rain Suit - M	1 ea
212-3003X2	3pc .28mm LFR Rain Suit - 2XL	1 ea
212-3003X3	3pc .28mm LFR Rain Suit - 3XL	1 ea
212-3003X4	3pc .28mm LFR Rain Suit - 4XL	1 ea
212-3003XL	3pc .28mm LFR Rain Suit - XL	1 ea

Concord LFR Hood - 800H



- Snaps to jacket
- .35 mm yellow hood
- Fits 800JN and 800CN

Item #	Description	Std Pkg
212-800H	.35 mm LFR Detachable Hood	1 ea

2pc LFR Luminator Rain Suit - 5182



- 2" reflective stripe
- Elastic waist pants
- Attached drawstring hood
- Zipper front with storm flap
- .40 mm polyurethane/cotton-poly blend

Item #	Description	Std Pkg
212-5182L	2pc .40 mm LFR Reflective Rain Suit - L	1 ea
212-5182M	2pc .40 mm LFR Reflective Rain Suit - M	1 ea
212-5182X3	2pc .40 mm LFR Reflective Rain Suit - 3XL	1 ea
212-5182X4	2pc .40 mm LFR Reflective Rain Suit - 4XL	1 ea
212-5182XL	2pc .40 mm LFR Reflective Rain Suit - XL	1 ea

Steel Toe PVC Boots - VBS120



- Steel Toe
- Polyester lining
- Over the sock style
- Black PVC boot, 16 inch
- Cleated Sole and Kick off lug

Item #	Description	Std Pkg
212-VBS12010	16" Steel Toe PVC Boots - Size 10	1 pr
212-VBS12011	16" Steel Toe PVC Boots - Size 11	1 pr
212-VBS12012	16" Steel Toe PVC Boots - Size 12	1 pr
212-VBS12013	16" Steel Toe PVC Boots - Size 13	1 pr
212-VBS1207	16" Steel Toe PVC Boots - Size 7	1 pr
212-VBS1208	16" Steel Toe PVC Boots - Size 8	1 pr
212-VBS1209	16" Steel Toe PVC Boots - Size 9	1 pr



Hi-Vis Poly Mesh Safety Vest - CL2MLP



- 100% polyester mesh
- Dielectric zipper front
- 2" silver reflective stripes
- 1 outer pocket and 1 inner pocket

Item #	Description	Std Pkg
212-CL2MLPL	Hi-Vis Reflective Poly Mesh Safety Vest - L	1 ea
212-CL2MLPX2	Hi-Vis Reflective Poly Mesh Safety Vest - 2XL	1 ea
212-CL2MLPX3	Hi-Vis Reflective Poly Mesh Safety Vest - 3XL	1 ea
212-CL2MLPX4	Hi-Vis Reflective Poly Mesh Safety Vest - 4XL	1 ea
212-CL2MLPXL	Hi-Vis Reflective Poly Mesh Safety Vest - XL	1 ea

Hi-Vis Poly Mesh Safety Vest - CL2MOP



- Polyester mesh
- Dielectric zipper front
- 2" silver reflective stripes
- 1 outer and 1 inner pocket

Item #	Description	Std Pkg
212-CL2MOPL	Hi-Vis Reflective Poly Mesh Safety Vest - L	1 ea
212-CL2MOPX2	Hi-Vis Reflective Poly Mesh Safety Vest - 2XL	1 ea
212-CL2MOPX3	Hi-Vis Reflective Poly Mesh Safety Vest - 3XL	1 ea
212-CL2MOPXL	Hi-Vis Reflective Poly Mesh Safety Vest - XL	1 ea

LFR Hi-Vis Poly Mesh Safety Vest - CL2MLPFR



- Break-away mesh
- Limited flammability
- Hook and loop closures
- 2" silver reflective stripes
- 1 outer and 1 inner pocket

Item #	Description	Std Pkg
212-CL2MLPFRXL	LFR Hi-Vis Reflective Poly Mesh Safety Vest - XL	1 ea
212-CL2MLPFRX2	LFR Hi-Vis Reflective Poly Mesh Safety Vest - 2XL	1 ea
212-CL2MLPFRX3	LFR Hi-Vis Reflective Poly Mesh Safety Vest - 3XL	1 ea
212-CL2MLPFRX4	LFR Hi-Vis Reflective Poly Mesh Safety Vest - 4XL	1 ea
212-CL2MLPFRXL	LFR Hi-Vis Reflective Poly Mesh Safety Vest - XL	1 ea

Denim Work Apron



- 2 pockets
- 36" length
- 100% denim material
- Dark color hides dirt and stains
- Protects from dry Non-hazardous particles

Item #	Description	Std Pkg
212-39836	36" x 27" Denim Work Apron w/2 Pockets	1 ea



Industrial Strength Cleaner/Degreaser



- Unscented
- Non-flammable
- Extra heavy-duty cleaner and degreaser
- Unique blend of non-toxic, biodegradable detergents

Item #	Description	Std Pkg
159-102	1 gal HD Industrial Strength Cleaner/Degreaser	4 ea
159-104	55 gal HD Industrial Strength Cleaner/Degreaser	1 Drum
159-106	5 gal HD Industrial Strength Cleaner/Degreaser	1 pail
159-132	32 oz HD Industrial Strength Cleaner/Degreaser	12 ea

micro mist

Micro Mist



- Non-flammable
- Foaming lubricant
- Displaces moisture
- Loosen rust and frozen parts
- Special blend of friction seekers and corrosion inhibitors

Item #	Description	Std Pkg
050-1615	16 oz Lubricant	12 ea

Micro Solv



- Non-flammable
- Non-conductive
- Safety solvent cleaner
- Special blend of friction seekers, lubricants & corrosion inhibitors

Item #	Description	Std Pkg
050-MICRO-SOLV	19 oz Safety Solvent	12 ea



Red Spill Proof Gas Can - 1 gal



- Banner material helps eliminate hydrocarbon emissions
- Spill proof spout automatically shuts off when tank is full
- 5 gallon comes with 2 handle design
- Made of durable HDPE plastic

Item #	Description	Std Pkg
142-1200	1 gal Spill Proof Gas Can	12 ea



Red Spill Proof Gas Can - 2 gal



- Banner material helps eliminate hydrocarbon emissions
- Spill proof spout automatically shuts off when tank is full
- 5 gallon comes with 2 handle design
- Made of durable HDPE plastic

Item #	Description	Std Pkg
142-2300	2 gal Spill Proof Gas Can	6 ea

Red Spill Proof Gas Can - 5 gal



- Banner material helps eliminate hydrocarbon emissions
- Spill proof spout automatically shuts off when tank is full
- 5 gallon comes with 2 handle design
- Made of durable HDPE plastic

Item #	Description	Std Pkg
142-5600	5 gal Spill Proof Gas Can	4 ea

Metal Spill Proof "Jerry" Gas Can



- Color: Red
- Holds 5 gallons
- Spill proof spout
- 13.5" x 6.5" x 18.25"
- Classic metal "Jerry" can

Item #	Description	Std Pkg
142-5800	5 gal "Jerry" Metal Spill Proof Gas Can	4 ea

Blue Spill Proof Kerosene Can



- Color: Blue
- Two handle design
- Made of HDPE plastic
- Automatic spout closure
- Wider base reduces tipping over
- Eliminates hydrocarbon emissions

Item #	Description	Std Pkg
142-7600	5 gal Spill Proof Blue Kerosene Can	4 ea

Yellow Spill Proof Diesel Can



- Color: Yellow
- Two handle design
- Made of HDPE plastic
- Automatic spout closure
- Wider base reduces tipping over
- Eliminates hydrocarbon emissions

Item #	Description	Std Pkg
142-8600	5 gal Spill Proof Yellow Diesel Can	4 ea

3 Piece Funnel Set



- Assorted colors
- Sold as a set only
- Petroleum resistant
- Durable high density polyethylene

Item #	Description	Std Pkg
142-3588	3 pc Funnel Set	12 ea

Replacement Spout



- Replacement part
- Spill proof spout kit
- Use with all Midwest Cans

Item #	Description	Std Pkg
142-4240	Replacement Spout Spill Proof Kit	12 ea



Air Filter



- 1/4" NPT
- Max SCFM 48
- Max pressure 150 PSI
- Corrosion resistant metal bowl
- Temperature range 40-125 degree F

Item #	Description	Std Pkg
094-1018	5 oz 1/4" NPT Filter Capacity Max Pressure	1 ea

1113 Air Regulator



- 1/4" NPT
- Max SCFM 50
- Max pressure 250 PSI
- Temperature Range 40 to 120°F

Item #	Description	Std Pkg
094-1113	1/4" NPT Regulator 1/4" Gage Port	1 ea

1115 Air Regulator



- 1/2" NPT
- Max SCFM 100
- Max pressure 250 PSI
- Temperature Range 40 to 120°F

Item #	Description	Std Pkg
094-1115	1/2" NPT Regulator 1/4" Gage Port	1 ea

Mini HD Air Regulator



- Max SCFM 25
- Max pressure 250 PSI
- Temperature range 40 to 120°F

Item #	Description	Std Pkg
094-S-1145	1/4" NPT Mini HD Regulator Max Inlet Pressure	1 ea



Dual Head Air Chuck



- 1/4" FNPT
- Closed/sealing type air chuck
- Max air pressure of 150 lbs per square inch
- Made in USA

Item #	Description	Std Pkg
094-690	1/4" NPT Dual Head Air Chuck Female	10 ea

Dual Head Straight Foot Air Chuck



- 1/4" FNPT
- Max air pressure of 150 lbs per square inch
- Made in USA

Item #	Description	Std Pkg
094-693	1/4" NPT Dual Head Extended Air Chuck	10 ea
094-S-693	1/4" NPT Dual Head Extended Air Chuck (Carded)	10 ea

Single Head Air Chuck



- Max PSI 150
- Sealing type chuck

Item #	Description	Std Pkg
094-699	1/4" NPT Female Single Head Air Chuck	10 ea

Blo-Gun - Straight & Rubber Tip



- Blo-Gun with both safety and rubber nozzles
- 150 PSI and 1/4" NPT

Item #	Description	Std Pkg
094-S-148	1/4" NPT 150 PSI Safety Lever Blo-Gun	10 ea

Blo-Gun - Straight Rubber Tip



- 150 PSI and 1/4" NPT

Item #	Description	Std Pkg
094-S-153	1/4" NPT 150 PSI Rubber Tip Straight Blo-Gun	5 ea

Siphon Spray Gun Kit



- Blo-Gun Kit with 8" Tubing
- 150 PSI and 1/4" NPT

Item #	Description	Std Pkg
094-S-157	1/4" NPT x 8' Hose Siphon Spray Gun Kit	1 kit

M/I-Style Female Coupler



- Milton M/I-Style Kwik Change® coupler
- Brass body, brass sleeve
- Max Temp: 250°F, Max Pressure: 300 PSI

Item #	Description	Std Pkg
094-715	1/4" NPT Female Air Coupler M/I-Style	10 ea
094-S-715	1/4" NPT Female Air Coupler M/I-Style (Carded)	10 ea
094-S-718	3/8" NPT Female Body Coupler M/I-Style	10 ea

M/I-Style Male Coupler



- Milton M/I-Style Kwik Change® coupler
- Case hardened steel drag guard
- Max temp: 250°F, Max Pressure: 300 PSA

Item #	Description	Std Pkg
094-716	1/4" NPT Male Air Coupler M/I-Style	10 ea
094-S-716	1/4" NPT Male Air Coupler M/I-Style (Carded)	10 ea
094-S-719	3/8" NPT Male Coupler Body M/I-Style	10 ea

A Style Coupler Plug - S-772



- 1/4" Male NPT plug
- 1/4" Female NPT coupler
- Maximum inlet pressure of 300 PSI

Item #	Description	Std Pkg
094-S-772	1/4 F Body & M Plug A-Style	10 ea

A-Style Coupler Kit



- Includes:
- 1 each # 775 Coupler
 - 3 each #777 Plug
 - 1 each #778 Plug

Item #	Description	Std Pkg
094-S-213	1/4" NPT 5 Piece A-Style Coupler/Plug Kit	1 kit

G-Style Female Coupler



- Coupler/plug material: steel, plated to resist rust
- Max Temp: 250°F, Max Pressure: 300 PSI

Item #	Description	Std Pkg
094-1815	1/2" NPT x 1/2" Flow Female Coupler G-Style	5 ea

M/I Style Coupler Kit



- Coupler material: Brass
- Plug material: case hardened steel, plated to resist rust
- Max Temp: 250°F, Max Pressure: 300 PSI

Item #	Description	Std Pkg
094-S-711	1/4" Combo Coupler/Plug Set M/I-Style	10 ea

M/I Style Male Plug



- Coupler material: Brass
- Plug material: case hardened steel, plated to resist rust
- Max Temp: 250°F, Max Pressure: 300 PSI

Item #	Description	Std Pkg
094-727	1/4" NPT Male x Male Plug Connector M/I Style	10 ea
094-S-727	1/4" NPT Male Plug M/I-Style (2/Per Card)	10 ea



M/I Style Female Plug



- Coupler material: Brass
- Plug material: case hardened steel, plated to resist rust
- Max Temp: 250°F, Max Pressure: 300 PSI

Item #	Description	Std Pkg
094-728	1/4" NPT Female x Male Plug Connector M/I-Style	10 ea
094-S-728	1/4" NPT Female Coupler w/Male Plug (2/Per Card)	10 ea

Dual Chuck Head/Inflator



- PSI: 10-120 (kPa: 80-840)
- Chuck Head: Dual Truck Tires
- Hose Length: 12 inches

Item #	Description	Std Pkg
094-S-522	12" Bayonet Inflator Gage Dual Chuck (Carded)	5 ea

Dual Head Pencil Gage



- Material: Brass
- Chuck Head: Dual
- White nylon indicator bar
- PSI: 20-120 (kPa: 120-820)

Item #	Description	Std Pkg
094-S-927	Dual Head Truck Tire Gage	10 ea

Dual Head Service Gage



- Chuck Head: Dual
- Solid Brass tube with nickel plating
- White nylon indicator bar with 2 sides PSI and kPa each
- PSI: 10-160 (kPa: 80-1100)

Item #	Description	Std Pkg
094-S-976	12-3/4" Dual Head Air Gage (Carded)	5 ea

Dual Head Large Bore Gage



- Chuck Head: Straight Foot Dual
- Solid Brass tube with nickel plating
- White nylon indicator bar with 2 sides PSI and kPa each
- PSI: 10-160 (kPa: 80-1100)

Item #	Description	Std Pkg
094-S-986	13" Large Bore Dual Head Air Gage	5 ea

Deluxe Compression Tester



- 0-300 PSI
- Spare valve core
- 14MM long reach adapter
- Replacement valve available Part # 1251-2

Item #	Description	Std Pkg
094-S-1251	0-300 PSI Deluxe Compression Tester	1 ea

100 amp Battery Tester



- Heavy Duty battery clips & 4 gauge wires
- Cold Cranking Amps: 1000
- Battery testing: 6V & 12V

Item #	Description	Std Pkg
094-1260	100 amp Battery Tester 6 or 12 Volt Batteries	1 ea



Sure Shot Steel Sprayer - Black Powder



- Fast and economical
- Multi-purpose nozzle
- Jet stream or mist application
- Portable with no hoses or wires
- Durable, all-metal construction

Item #	Description	Std Pkg
164-A1000B	Sure Shot Black Powder Coated Steel Sprayer	12 ea

Model A Sure Shot Sprayer - A1000R



- 32 oz liquid capacity
- Red Powder Coat Finish
- Comes With Multi Purpose Nozzle
- Nozzle Is Set For Regular Mist

Item #	Description	Std Pkg
164-A1000R	Red Powder Coated Steel Sprayer	12 ea

Sure Shot Model A Repair Kit



- Sure shot model a sprayer
- Complete repair kit

Item #	Description	Std Pkg
164-K10	Sure Shot Model A Repair Kit	1 kit



1/2" Magnum Drill



- Powerful 8.0-amp motor
- 850 RPM with variable-speed control
- Heavy-duty keyed chuck with holder
- 360° Locking Side Handle
- 8-ft. 3-wire fixed rubber cord

Item #	Description	Std Pkg
158-0299-20	1/2" VSR 0-850 RPM Magnum Drill	1 ea

Compact Drill



- Powerful 7.0-amp motor
- Up to 900 RPM with reverse
- Includes pipe handle
- Heat-treated Helical-cut gears
- 8-ft. 2-wire fixed rubber cord

Item #	Description	Std Pkg
158-1630-1	1/2" 900 RPM Compact Drill	1 ea



Super Hawg Drill



- Powerful 13.0-amp motor
- 450 RPM- 1,750 RPM with a clutch in low gear
- Roto-Lok® handle: Features 90° left-right rotations
- Reinforced nylon resin casing

Item #	Description	Std Pkg
158-1680-20	1/2" Super Hawg 450-1750 RPM Right Angle Drill	1 ea

M18 1/2" Compact Brushless Drill/Driver Kit



Includes:

- (1) M18™ 1/2" Compact Brushless Drill/Driver
- (2) M18™ REDLITHIUM™ CP2.0 Battery Pack
- (1) M18™ & M12™ Multi-Voltage Charger
- (1) Carrying Case

Item #	Description	Std Pkg
158-2701-22CT	M18 1/2" Compact Brushless Drill/Driver Kit	1 ea

M18 1/2" Compact Brushless Drill/Driver Kit



Includes:

- (1) M18™ 1/2" Compact Brushless Hammer Drill/Driver
- (2) M18™ REDLITHIUM™ CP2.0 Battery Pack
- (1) M18™ & M12™ Multi-Voltage Charger
- (1) Carrying Case

Item #	Description	Std Pkg
158-2702-22CT	M18 1/2" Compact Brushless Drill/Driver Kit	1 ea

M18 FUEL 1/2" Drill/Driver Kit



Includes:

- (1) M18 FUEL™ 1/2" Drill/Driver
- (1) M18™ & M12™ Multi-Voltage Charger
- (2) M18™ REDLITHIUM™ XC5.0 Extended Capacity Battery Pack
- (1) Side Handle, Carrying Case, Bit Holder, Belt Clip

Item #	Description	Std Pkg
158-2803-22	M18 1/2" FUEL Drill/Driver Kit	1 ea

M18 FUEL 1/2" Hammer Drill/Driver Kit



Includes:

- (1) M18 FUEL™ 1/2" Hammer Drill/Driver
- (1) M18™ & M12™ Multi-Voltage Charger
- (1) M18™ REDLITHIUM™ XC5.0 Extended Capacity Battery Pack

Item #	Description	Std Pkg
158-2804-22	M18 FUEL 1/2" Hammer Drill/Driver Kit	1 ea

M18 3/8" Impact Wrench Kit



Includes:

- (1) M18 3/8" Impact Wrench with Friction Ring
- (1) M18 & M12 Multi-Voltage Charger
- (2) M18 Extended Capacity Battery
- (1) Carrying Case
- (1) Belt Clip

Item #	Description	Std Pkg
158-2658-22	M18 3/8" XC Impact Wrench Kit	1 ea

M18 1/2" High-Torque Impact Wrench



Includes:

- (1) M18™ 1/2" High-Torque Impact Wrench
- (1) M18™ & M12™ Multi-Voltage Charger
- (2) M18™ REDLITHIUM™ XC Extended Capacity Battery
- (1) Carrying Case

Item #	Description	Std Pkg
158-2662-22	M18 1/2" Hi-Torque Impact Wrench Kit	1 ea

M18 1/2" High-Torque Impact Wrench



Includes:

- (1) M18™ 1/2" High-Torque Impact Wrench
- (1) M18™ & M12™ Multi-Voltage Charger
- (2) M18™ REDLITHIUM™ XC Extended Capacity Battery
- (1) Carrying Case

Item #	Description	Std Pkg
158-2663-22	M18 1/2" Hi-Torque Impact Wrench Kit	1 ea

M18 3/4" High-Torque Impact Wrench Kit



Includes:

- (1) M18 FUEL™ 3/4" High-Torque Impact Wrench with Friction Ring
- (2) M18™ REDLITHIUM™ XC5.0 Extended Capacity Battery Pack
- (1) M18™ & M12™ Multi-Voltage Charger
- (1) Carrying Case

Item #	Description	Std Pkg
158-2864-22	M18 3/4" High-Torque Impact Wrench Kit	1 ea

1/2" Impact Wrench



- 1800 RPM
- 7.0 amp motor
- 300 ft-lbs of torque
- Detent pin
- AC/DC rocker switch
- 8' fixed rubber cord

Item #	Description	Std Pkg
158-9070-20	1/2" 7 Amp Impact Wrench - Rocker Switch	1 ea



1/2" Impact Wrench



- 1800 RPM
- 7.0 amp motor
- 300 ft-lbs of torque
- AC/DC rocker switch
- 8' fixed rubber cord

Item #	Description	Std Pkg
158-9071-20	1/2" 7 Amp Impact Wrench - Rocker Switch	1 ea

1/2" Impact Wrench



- 1800 RPM
- 7.0 amp motor
- 380 ft-lbs of torque
- AC/DC rocker switch
- 8' fixed rubber cord

Item #	Description	Std Pkg
158-9075-20	3/4" 7 Amp Impact Wrench - Rocker Switch	1 ea

1/2" Hammer Drill



- Powerful 8-amp motor
- Delivers 0-2,800 RPM and 0-48,000 BPM
- Compact 11.5" length
- 2-Mode operation: Hammer Drill and drill-only modes
- 360° Locking side handle with depth gauge

Item #	Description	Std Pkg
158-5376-20	1/2" Hammer Drill	1 ea

1-5/8" Electromagnetic Drill Kit



- Includes:**
- (1) 1-5/8" Electromagnetic Drill Kit
 - (1) Lubrication Spray Bottle
 - (2) 1" retractable pilot pin
 - (1) Chuck Key, (1) 3/4" Weldon to 1/2" Chuck adapter
 - (1) Safety Strap, (1) Carrying Case

Item #	Description	Std Pkg
158-4272-21	1-5/8" Electromagnetic Drill Kit	1 ea

M18 FUEL 2-Tool Combo Kit



- Includes:**
- (1) M18 FUEL™ 1/2" Hammer Drill/Driver
 - (1) M18 FUEL™ 1/4" Hex Impact Driver
 - (1) M18™ & M12™ Multi-Voltage Charger
 - (2) M18™ REDLITHIUM™ XC5.0 Extended Capacity Battery Pack
 - (2) Belt Clip (2) Bit Holder
 - (1) Side Handle (1) Carrying Case

Item #	Description	Std Pkg
158-2997-22	M18 FUEL 2-Tool Combo Kit	1 ea

M18 Cordless 4-Tool Combo Kit



Includes:

- (1) M18™ Compact 1/2" Hammer Drill/Driver
- (1) M18™ SAWZALL® Recip Saw
- (1) M18™ 1/4" Hex Impact Driver
- (1) M18™ Work Light
- (1) M18™ REDLITHIUM™ XC Extended Capacity Battery
- (1) M18™ & M12™ Multi-Voltage Charger

Item #	Description	Std Pkg
158-2696-24	M18 Cordless LITHIUM-ION 4-Tool Combo Kit	1 ea

29pc Thunderbolt Titanium Coated Drill Bits



- **Sizes:** 1/16", 5/64", 3/32", 7/64", 1/8", 9/64", 5/32", 11/64", 3/16", 13/64", 7/32", 15/64", 1/4", 17/64", 9/32", 19/64", 5/16", 21/64", 11/32", 23/64", 3/8", 25/64", 13/32", 27/64", 7/16", 29/64", 15/32", 31/64", 1/2"

Item #	Description	Std Pkg
158-48-89-0012	29pc Thunderbolt Titanium Coated Drill Bits	1 ea

95pc Drill & Drive Set



- **TORX Bit:** (1) 2" T25, (1) 2" T20, (2) 1" T9, (2) 1" T40, (2) 1" T30, (2) 1" T27, (3) 1" T25, (3) 1" T20, (2) 1" T15, (2) 1" T10
- **Square Bit:** (1) 2" SQ2, (3) 1" SQ3, (8) 1" SQ2, (3) 1" SQ1
- **Slotted Bit:** (1) 2" SL 3/16, (1) 1" SL 9/32", (2) 1" SL 7/64", (2) 1" SL 3/16", (2) 1" SL 1/8", (2) 1" SL 1/4"
- **Phillips Bit:** (1) 2" P2, (3) 1" PR2, (4) 1" P3, (10) 1" P2, (3) 1" P1
- **Hex Bit:** (1) 1" 9/64", (2) 1" 7/64", (2) 1" 5/64", (1) 1" 5/32", (2) 1" 3/32", (2) 1" 3/16", (2) 1" 1/8", (2) 1" 1/4", (2) 1" 1/16"
- **Pozidrive Bit:** (1) 1" PZ3 (1), 1" PZ2
- **Thunderbolt Black Oxide Drill Bit:** (1) 7/64", (1) 5/64", (1) 5/32", (1) 3/32", (1) 3/16", (1) 1/8", (1) 1/4", (1) 1/16"
- **Magnetic Nut Driver:** (1) 5/16", (1) 1/4"
- **Magnetic Drive Guide:** (1)

Item #	Description	Std Pkg
158-48-89-1561	95pc Drill & Drive Set	1 ea

15pc Cobalt RED HELIX Kit



Includes:

- **COBALT RED HELIX™ Drill Bit:** (1) 9/64", (1) 7/64", (1) 7/32", (1) 5/64", (1) 3/8", (1) 3/32", (1) 3/16", (2) 1/8", (2) 1/4", (1) 1/16"
- **Thunderbolt® Cobalt Drill Bit:** (1) 5/32", (1) 5/16", (1) 1/2"

Item #	Description	Std Pkg
158-48-89-2331	15pc Cobalt RED HELIX Drill Bit Set - 1/16" - 1/2"	1 ea



15pc Titanium SHOCKWAVE Drill Bit Kit



- 135° split point
- CHIP BREAKER™ Decreased Heat Buildup
- RED HELIX™ Design for Rapid Chip Removal™
- Titanium Coating for Up to 3X Life vs. Black Oxide
- SHOCKWAVE™ Impact Duty, Engineered for Drills and Impacts

Item #	Description	Std Pkg
158-48-89-4630	15pc Titanium Drill Bit Kit - 1/16" - 1/2"	1 ea

Threaded Steel Hawg Cutter



- Abrasion-resistant carbide teeth
- Cuts up to a 2" hole depth in steel, stainless steel, cast iron or aluminum

Item #	Description	Std Pkg
158-49-57-0875	7/8" Threaded Steel Hawg Cutter	1 ea
158-49-57-0937	15/16" Threaded Steel Hawg Cutter	1 ea
158-49-57-1000	1" Threaded Steel Hawg Cutter	1 ea
158-49-57-1125	1-1/8" Threaded Steel Hawg Cutter	1 ea

M18 SAWZALL Reciprocating Saw



- Counter Balance Mechanism reduces vibration
- All metal gearing and gear case
- REDLINK™ Intelligence
- Lever Action QUIK-LOK™ Blade Clamp provides fast and easy blade changes

Item #	Description	Std Pkg
158-2621-20	M18 1-1/8" SAWZALL Reciprocating Saw	1 ea

M18 SAWZALL Reciprocating Saw



- Includes:**
- M18 SAWZALL Reciprocating Saw
 - M18 REDLITHIUM XC Extended Capacity Battery
 - M18 & M12 Multi-Voltage Charger
 - Carrying Case, Blade

Item #	Description	Std Pkg
158-2621-21	M18 1-1/8" SAWZALL Reciprocating Saw Kit	1 ea

M18 SAWZALL Reciprocating Saw



- Includes:**
- (1) M18 SAWZALL Reciprocating Saw
 - (2) M18 REDLITHIUM XC Extended Capacity Battery
 - (1) M18 & M12 Multi-Voltage Charger
 - (1) Carrying Case, (1) Blade

Item #	Description	Std Pkg
158-2621-22	M18 1-1/8" SAWZALL Reciprocating Saw Kit	1 ea

M18 HACKZALL Recip Saw Kit



- Includes:**
- (1) M18™ HACKZALL® Recip Saw
 - (1) M18™ & M12™ Multi-Voltage Charger
 - (1) M18™ Compact REDLITHIUM™ Battery
 - (1) Contractor Bag

Item #	Description	Std Pkg
158-2625-21CT	3/4" HACKZALL Reciprocating Saw Kit	1 ea

SAWZALL Carrying Case



- Carrying case for M18 SAWZALL Reciprocating Saw (2621)

Item #	Description	Std Pkg
158-42-55-2621	SAWZALL Carrying Case Blo-Mol 2621-21	1 ea

SAWZALL Recip Saw Kit



- 12 Amp Motor
- Delivers 0-3,000 SPM
- 3/4" Stroke Length
- Gear Protecting Clutch
- Counter Weighted Mechanism
- QUIK-LOK™ Blade Clamp

Item #	Description	Std Pkg
158-6509-31	12 Amp SAWZALL 3/4" Stroke Reciprocating Saw	1 ea

SAWZALL Recip Saw Kit



- 11 amp motor
- 0-2800 strokes per min
- Keyless adjustable shoe
- Double bearing wobble plate mechanism
- Heavy duty steel QUIK-LOK™ blade clamp
- Impact resistant carrying case

Item #	Description	Std Pkg
158-6519-31	11 Amp 1-1/8" Reciprocating Saw	1 ea

SAWZALL Recip Saw Kit



- 15.0 Amp Motor
- Constant Power Technology
- Quik-Lok™ Blade Clamp System
- Variable Speed Trigger & Dial Speed Control

Item #	Description	Std Pkg
158-6538-21	15 Amp 1-1/8" Stroke Reciprocating Saw	1 ea

9" SAWZALL Pruning Blade - 5 TPI



- 5 Pack
- Extra deep gullets easily remove chips
- Unique fleam ground teeth cut in both directions
- Induction hardened teeth for long life

Item #	Description	Std Pkg
158-48-00-1301	9" SAWZALL Pruning Blade - 5 TPI	1 pkg



12" SAWZALL Pruning Blade - 5 TPI



- 5 Pack
- Extra deep gullets easily remove chips
- Unique fleam ground teeth cut in both directions
- Induction hardened teeth for long life

Item #	Description	Std Pkg
158-48-00-1303	12" SAWZALL Pruning Blade - 5 TPI	1 pkg

12" SAWZALL Pruning Blade - 5 TPI



- 1 Pack
- Extra deep gullets easily remove chips
- Unique fleam ground teeth cut in both directions
- Induction hardened teeth for long life

Item #	Description	Std Pkg
158-48-00-1305	12" SAWZALL Pruning Blade - 5 TPI	1 pkg

4" SAWZALL Blades - 18 TPI



- 5 Pack
- Optimized tooth design
- Tough Neck™ ribs
- Grid Iron™ honeycomb pattern

Item #	Description	Std Pkg
158-48-00-5183	4" SAWZALL Blades For Metal - 18 TPI	1 pkg

4" SAWZALL Blades - 24 TPI



- 5 Pack
- Optimized tooth design
- Tough Neck™ ribs
- Grid Iron™ honeycomb pattern

Item #	Description	Std Pkg
158-48-00-5185	4" SAWZALL Blades For Metal - 24 TPI	1 pkg

6" SAWZALL Blades - 14 TPI



- 5 Pack
- Optimized tooth design
- Tough Neck™ ribs
- Grid Iron™ honeycomb pattern

Item #	Description	Std Pkg
158-48-00-5182	6" SAWZALL Blades For Metal - 14 TPI	1 pkg

6" SAWZALL Blades - 18 TPI



- 5 Pack
- Optimized tooth design
- Tough Neck™ ribs
- Grid Iron™ honeycomb pattern

Item #	Description	Std Pkg
158-48-00-5184	6" SAWZALL Blades For Metal - 18 TPI	1 pkg

6" SAWZALL Blades - 24 TPI



- 5 Pack
- Optimized tooth design
- Tough Neck™ ribs
- Grid Iron™ honeycomb pattern

Item #	Description	Std Pkg
158-48-00-5186	6" SAWZALL Blades For Metal - 24 TPI	1 pkg

9" SAWZALL Blades - 18 TPI



- 5 Pack
- Optimized tooth design
- Tough Neck™ ribs
- Grid Iron™ honeycomb pattern

Item #	Description	Std Pkg
158-48-00-5188	9" SAWZALL Blades For Metal - 18 TPI	1 pkg

12" SAWZALL Blades - 18 TPI



- 5 Pack
- Optimized tooth design
- Tough Neck™ ribs
- Grid Iron™ honeycomb pattern

Item #	Description	Std Pkg
158-48-00-5189	12" SAWZALL Blades For Metal - 18 TPI	1 pkg

5pc Demolition SAWZALL Blade Set



- **Contains:** The Ax™ wood cutting blade, The Torch™ metal cutting blades, The Wrecker™ multi-material cutting blade

Item #	Description	Std Pkg
158-49-22-1105	5pc Demolition SAWZALL Blade Set	1 pkg



12pc Demolition SAWZALL Blade Set



- **Contains:** The Ax™ for cutting nail embedded wood, The Wrecker™ for general purpose demolition cutting, The Torch® for metal cutting
- 12 pc assortment of popular demolition blades
- 1" tall blade for straighter cuts, Matrix II bi-metal teeth

Item #	Description	Std Pkg
158-49-22-1129	12pc Demolition SAWZALL Blade Set	1 pkg

M18 FUEL Deep Cut Band Saw Kit



Includes:

- (1) M18 FUEL™ Deep Cut Band Saw
- (1) M18™ & M12™ Multi-Voltage Charger
- (1) M18™ REDLITHIUM™ XC5.0 Extended Capacity Battery Pack
- (1) Carrying Case, (1) Blade

Item #	Description	Std Pkg
158-2729-21	M18 FUEL Deep Cut Band Saw Kit	1 ea

Deep Cut Variable Speed Band Saw Kit



- Powerful 11 Amp Motor w/ CPT™
- LED Light: Illuminates work surface
- Tool-Free Locking Adjustable Shoe
- Cut Capacity: Up to 5" by 5"
- Includes carrying case

Item #	Description	Std Pkg
158-6232-21	Deep Cut Variable Speed Band Saw Kit	1 ea

Deep Cut AC/DC Band Saw



- 11 Amp Motor
- Cuts up to 5" by 5" material in one pass
- Tool-Free locking adjustable shoe allows for cutting material above 5"

Item #	Description	Std Pkg
158-6238-20	11 Amp 5"X 5" Deep Cut Bandsaw AC/DC	1 ea

Band Saw Blade Pulley Tire



- Fits: 622X, 6232, 6238 Series
- Use with Full Size Electric & Fuel Band Saws ONLY
- Will NOT fit Compact or Subcompact Band Saws

Item #	Description	Std Pkg
158-45-69-0010	Blade Pulley Tire Fits 622X,6232,6238 Series	1 ea

18 TPI Portable Band Saw Blade



- 3 Pack
- 44-7/8" x 1/2" x .020"
- Matrix II high-speed teeth
- Standard/Deep Cut

Item #	Description	Std Pkg
158-48-39-0521	18 TPI Deep Cut Portable Band Saw Blade	1 pkg

Deep Cut Bandsaw Blade



- 3 per package
- Matrix II high-speed steel teeth
- Precision-formed teeth create fast, clean cuts
- Cuts common materials up to 5/32" thick and very hard materials 5/32" - 3/16" thick

Item #	Description	Std Pkg
158-48-39-0531	44-7/8" 24 TPI Bandsaw Blade	1 pkg

14" Abrasive Cut-Off Machine



- 15-amp, 4.0 max horsepower motor
- Cutting capacity: Up to 5"
- Large spindle lock button
- Quick-adjust vise clamp
- 45° Miter capacity with adjustable fence

Item #	Description	Std Pkg
158-6177-20	14" Abrasive Cut-Off Machine	1 ea

5" Small Angle Grinder



- Powerful 13 Amp, 9,000 RPM Motor
- Maintains constant speed under load
- Tool-Free Accessory Change
- Anti-Vibration Side Handle
- Trigger Grip Handle

Item #	Description	Std Pkg
158-6124-30	13 Amp 5" Small Angle Grinder - Lock-On	1 ea

4-1/2" Small Angle Grinder



- 7.0 Amp, 12,000 RPM
- Multi-Port Exhaust
- Compact, Lightweight Design – 3.5 lbs
- Tool Free, Burst Resistant Guard

Item #	Description	Std Pkg
158-6130-33	4-1/2" Small Angle Grinder - Slide Switch	1 ea



6" Small Angle Grinder



- 13 Amp, 9,000 RPM Motor
- Overload Protection
- Paddle Lock-On Switch
- Tool-Free Accessory Change
- Anti-Vibration Side Handle

Item #	Description	Std Pkg
158-6161-30	6" Small Angle Grinder - Lock-On Paddle Switch	1 ea

4.5 Amp Die Grinder



- Powerful 4.5-amp motor
- Delivers up to 21,000 RPM
- 8' fixed rubber cord
- Toggle switch
- Versatile chuck: Accepts 1/4" and 1/8" collets

Item #	Description	Std Pkg
158-5192	4.5 Amp Die Grinder - Toggle Switch	1 ea

4.5 Amp Die Grinder



- Powerful 4.5-amp motor
- Delivers up to 21,000 RPM
- 8' fixed rubber cord
- Paddle switch
- Versatile chuck: Accepts 1/4" and 1/8" collets

Item #	Description	Std Pkg
158-5194	4.5 Amp Die Grinder - Paddle Switch	1 ea

11 Amp Die Grinder



- 9 ft. fixed rubber cord
- Powerful 11-amp motor
- All ball and roller bearings
- Accepts 1/4" and 1/8" collets
- 14,500 RPM for faster grinding

Item #	Description	Std Pkg
158-5196	11 Amp 14,500 RPM HD Die Grinder	1 ea

M12 Cordless Ratchet



- Powerful 12-volt motor
- Delivers up to 30 ft-lbs of torque
- 250 RPM, with variable-speed trigger
- REDLITHIUM™ Battery Technology
- REDLINK™ Intelligence
- On-board fuel gauge, Built-in LED light

Item #	Description	Std Pkg
158-2456-20	M12 1/4" Cordless Ratchet - Tool Only	1 ea

M18 Cordless 2-Speed Grease Gun Kit



Includes:

- (1) M18™ Cordless 2-Speed Grease Gun
- (1) M18™ & M12™ Multi-Voltage Charger
- (1) M18™ Compact REDLITHIUM™ Battery
- (1) 48" Flex Hose w/ Spring Guard
- (1) High Pressure Grease Coupler
- (1) Hard Carrying Case & Shoulder Strap

Item #	Description	Std Pkg
158-2646-21CT	M18 Cordless 2-Speed Grease Gun Kit	1 ea

M18 REDLITHIUM Compact Battery - 2 Pack



- 1.5 Amp hour - 27 Watt hour battery
- LITHIUM-ION battery
- Battery fuel gauge
- Milwaukee REDLINK™ Intelligence
- For use with Milwaukee M18™ cordless tools

Item #	Description	Std Pkg
158-48-11-1811	M18 REDLITHIUM Compact Battery - 2 Pack	1 ea

M18 REDLITHIUM CP2.0 Battery Pack



- REDLINK™ Intelligence
- Fuel gauge onboard
- Use with M18™ cordless power tools

Item #	Description	Std Pkg
158-48-11-1820	M18 REDLITHIUM CP 2.0 Battery	1 ea

M18 REDLITHIUM High Capacity Battery - 2 Pack



- 3.0 Amp hour - 54 Watt hour battery
- LITHIUM-ION battery
- REDLINK™ Intelligence
- Battery fuel gauge
- For use with Milwaukee M18™ cordless tools

Item #	Description	Std Pkg
158-48-11-1822	M18 REDLITHIUM High Capacity Battery - 2 Pack	1 ea

M18 REDLITHIUM XC5.0 Extended Capacity Battery



- REDLINK™ Intelligence
- Fuel gauge onboard
- Use with M18™ cordless power tools

Item #	Description	Std Pkg
158-48-11-1850	M18 REDLITHIUM XC5.0 Extended Capacity Battery	1 ea

M18 REDLITHIUM XC5.0 Battery - 2 Pack



- REDLINK™ Intelligence
- Fuel gauge onboard
- All-weather performance
- Powers more than 60 Milwaukee® M18™ cordless power tools

Item #	Description	Std Pkg
158-48-11-1852	M18 REDLITHIUM XC5.0 Extended Capacity Battery	1 ea



M18 REDLITHIUM XC6.0 Extended Capacity Battery



- Fuel gauge onboard
- All-Weather Performance
- Use with M18™ cordless power tools

Item #	Description	Std Pkg
158-48-11-1860	M18 REDLITHIUM XC6.0 Extended Capacity Battery	1 ea

M18 & M12 Rapid Battery Charger



- REDLINK™ Intelligence
- Charges batteries up to 40% faster
- Charges all M12™ and M18™ batteries
- Sequential charging: automatically charges the second inserted pack once the first pack is fully charged

Item #	Description	Std Pkg
158-48-59-1808	M18 & M12 Rapid Battery Charger	1 ea

M18 & M12 Vehicle Battery Charger



- REDLINK™ Intelligence
- Plugs into vehicle 12V or 24V DC Outlet
- Charges all M18 & M12 Batteries
- Automatically shuts down charger to prevent excessive discharge of vehicle battery

Item #	Description	Std Pkg
158-48-59-1810	M18 & M12 Vehicle Battery Charger	1 ea

7pc SAE Combination Wrench Set



- **Sizes:** 3/8", 7/16", 1/2", 9/16", 11/16", 3/4", 5/8"
- MAX BITE™ Open-End Grip
- I-Beam Handle Design
- Ink-filled Size Labels
- Lifetime Guarantee

Item #	Description	Std Pkg
158-48-22-9407	7pc SAE Combination Wrench Set	1 ea

15pc SAE Combination Wrench Set



- **Sizes:** 1/4", 9/32", 5/16", 7/8", 11/32", 3/8", 7/16", 1/2", 9/16", 5/8", 11/16", 3/4", 13/16", 15/16", 1"
- MAX BITE™ Open-End Grip
- I-Beam Handle Design
- Ink-filled Size Labels
- Lifetime Guarantee

Item #	Description	Std Pkg
158-48-22-9415	15pc SAE Combination Wrench Set	1 ea

7pc Metric Combination Wrench Set



- **Sizes:** 8, 10, 12, 13, 14, 15, 17mm
- MAX BITE™ Open-End Grip
- I-Beam Handle Design
- Ink-filled Size Labels
- Lifetime Guarantee

Item #	Description	Std Pkg
158-48-22-9507	7pc Metric Combination Wrench Set	1 ea

9pc SHOCKWAVE 1/2" Deep Impact Socket Set



- **Sockets:** 3/8", 7/16", 1/2", 9/16", 5/8", 11/16", 3/4", 7/8"
- 1/4" Hex to 1/2" Square Adapter

Item #	Description	Std Pkg
158-49-66-4484	9pc SHOCKWAVE 1/2" Deep Impact Socket Set	1 ea

Jobsite Straight Scissors



- Blade Length: 3.75"
- Iron Carbide Edge Blades
- Bolt Lock Technology
- Large Handle Loops
- Ruler Markings on Blade
- Index Finger Groove

Item #	Description	Std Pkg
158-48-22-4041	9" Jobsite Straight Scissors	1 ea

M18 2 gal Wet/Dry Vacuum



- 2 Gallon Capacity
- Hose Diameter: 1-1/4"
- Includes: 6' Flexible Hose, Crevice Tool, Utility Nozzle, HEPA Filter
- 30+ minutes of run time on a M18™ REDLITHIUM™ HIGH DEMAND™ 9.0 Battery Pack

Item #	Description	Std Pkg
158-0880-20	M18 2 gal Wet/Dry Vacuum	1 ea



Non Lighted Safety Whip - Threaded Hex Base



- 12" x 11" Flag
- Threaded Hex Base
- Premium fiberglass resin whip
- Bright fluorescent nylon mesh flag

Item #	Description	Std Pkg
120-FS6-0	6' Non Lighted Whip, 12"x11" Orange Flag	1 ea



Non Lighted Safety Whip - Quick Disconnect Base



- 12" x 11" Flag
- Quick Disconnect Base
- Premium fiberglass resin whip
- Bright fluorescent nylon mesh flag
- Quickly attach or detach from vehicle

Item #	Description	Std Pkg
120-FS6-QD-0	6' Non Lighted Whip, 12"x11" Orange Flag	1 ea

Heavy Duty Spring Mount



- Bright zinc finish
- Heavy duty spring mount
- For non-lighted models 3' to 8'

Item #	Description	Std Pkg
120-FS7006-DUD	3' To 8' HD Spring Mount For Non-Lighted	1 ea

Orange Replacement Flag



- 12" x 11" Flag
- For heavy duty non-lighted whips
- Bright fluorescent nylon mesh flag

Item #	Description	Std Pkg
120-FS9024-0	12" x 11" Orange Flag Replacement	1 ea



Inside Firm Joint Caliper



- Polished finish
- For inside measurements
- Made of high quality tool steel

Item #	Description	Std Pkg
051-330-12	12" Inside Caliper Firm Joint	1 ea
051-330-6	6" Inside Caliper Firm Joint	5 ea
051-330-8	8" Inside Caliper Firm Joint	1 ea

Outside Firm Joint Caliper



- Polished finish
- Made of quality tool steel
- For outside measurements

Item #	Description	Std Pkg
051-331-12	12" Outside Caliper Firm Joint	1 ea
051-331-18	18" Outside Caliper Firm Joint	1 ea
051-331-24	24" Outside Caliper Firm Joint	1 ea
051-331-6	6" Outside Caliper Firm Joint	5 ea
051-331-8	8" Outside Caliper Firm Joint	1 ea

Spring Divider



- Hardened points
- Polished tool steel
- Bow spring design for uniform working range
- Screw type offers a more precise setting

Item #	Description	Std Pkg
051-50-10	10" Spring Divider	1 ea
051-50-12	12" Spring Divider	1 ea
051-50-8	8" Spring Divider	1 ea

Inside Spring Joint Caliper



- Bow spring for uniform tension
- Centrally-mounted adjustable screw
- Manufactured from polished tool steel

Item #	Description	Std Pkg
051-51-10	10" Inside Caliper Spring Joint	1 ea
051-51-12	12" Inside Caliper Spring Joint	1 ea
051-51-6	6" Inside Caliper Spring Joint	5 ea
051-51-8	8" Inside Caliper Spring Joint	1 ea

Outside Spring Joint Caliper

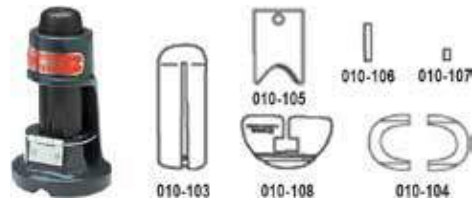


- Made of polished tool steel
- Bow spring design for uniform working range
- Screw type offers a more precise setting than the firm joint type

Item #	Description	Std Pkg
051-52-10	10" Outside Caliper Spring Joint	1 ea
051-52-12	12" Outside Caliper Spring Joint	1 ea
051-52-6	6" Outside Caliper Spring Joint	5 ea
051-52-8	8" Outside Caliper Spring Joint	1 ea



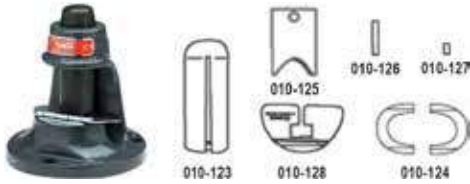
Wire Rope Cutter - Model 1



Item #	Description	Std Pkg
010-101	Model #1 Cutter 3/4" Cap	1 ea
010-102	Casting Base for #1	1ea
010-103	Plunger for #1	1ea
010-104	Die Set for #1 (2ea Per Set)	1 set
010-105	Blade & Pin for #1	1 ea
010-106	Blade Pin Only for #1	1 ea
010-107	Plunger Guide Pin for #1	1 ea
010-108	Guard Plate for #1	1ea

MORSE STARRETT

Wire Rope Cutter - Model 1A



Item #	Description	Std Pkg
010-121	Model #1A Cutter 1-1/16" Cap	1 ea
010-122	Casting Base for #1A	1ea
010-123	Plunger for #1A	1ea
010-124	Die Set for #1A	1 set
010-125	Blade & Pin for #1A	1 set
010-126	Blade Pin Only for #1A	1ea
010-127	Plunger Guide Pin for #1A	1ea
010-128	Guard Plate for #1A	1ea

Wire Rope Cutter - Model 2



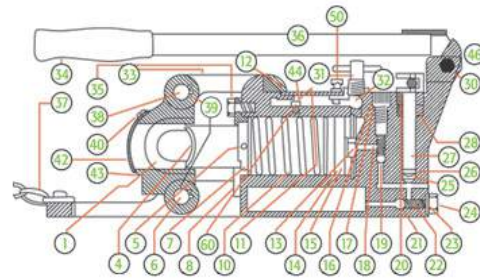
Item #	Description	Std Pkg
010-131	Model #2 Cutter 1-1/2" Cap	1 ea
010-132	Casting Base for #2	1ea
010-133	Plunger for #2	1ea
010-134	Die Set for #2	1ea
010-135	Blade & Pin for #2	1ea
010-136	Blade Pin Only for #2	1ea
010-137	Plunger Guide Pin for #2	1ea
010-138	Guard Plate for #2	1ea

Replacement Parts



Item #	Description	Std Pkg
010-C-1	Die Set for Model C Pell Hydrashear	1 set
010-C-4	Blade F/Model C	1ea
010-C-5	Blade Pin for Model C	1ea
010-C-62	Overhaul Kit for Model C	1kit
010-P-1	Die Set Model P Pell Hydrashear Cable Cutter	1 set
010-P-4	Blade Model P Pell Hydrashear Cable Cutter	1ea
010-P-5	Blade Pin Model P Pell Hydrashear Cable Cutter	1ea
010-P-62	Overhaul Kit for Model P Hydrashear	1 kit
010-W-1	Die Set Model W Pell Hydrashear Cable Cutter	1 set
010-W-4	Blade for Model W Pell Hydrashear Cable Cutter	1ea
010-W-5	Blade Pin Model W Pell Hydrashear Cable Cutter	1ea
010-W-62	Overhaul Kit for Model W	1kit

Pell Hydrashear Cutters



W-075, P-1125, C-1750

Part	Description	Model W	Model P	Model C
1	Die Set	W1	P1	C1
4	Blade	W4	P4	C4
5	Blade Pin	W5	P5	C5
6	Hinge Pin w/ #39	W6	P6	C6
7	Ram	W7	P7	C7
8	Ram Collar	W8	P8	C8
10	Ram retracting spring	W10	P10	C10
11	Cover Plate	W11	P11	C11
15	Ram Cup Leather Retainer	W15	P15	C15
33	Latch	W33	P33	C33
36	Pump handle	W36	P36	C36
38	Latch pin w/ #39	W38	P38	C38
43	Shear blade holder	W43	P43	C43
60	Bypass valve	n/a	P60	C60
62	Overhaul kit	W62	P62	C62

Overhaul Kit includes:

(items listed must be purchased in kit form only)

12	Cover plate screws (3)	28	Plunger packing set
13	Ram Retainer Screw & Lockwasher	30	Handle hinge bolt
14	Ram Cup Leather & O-ring	31	Release valve retainer
16	Check valve plug	32	Release Valve
17	Check valve gasket	34	Handle grip
18	Check valve spring	35	Ram collar screws (3)
19	Ball check valve	37	Bail
20	Packing nut	39	Snap rings (4)
21	Ball suction valve	40	Guard screws (2)
22	Suction valve spring	42	Guard plate
23	Suction valve gasket	44	Cover gasket
24	Suction valve plug	46	Lock nut
25	Plunger packing screw	47	Packing nut wrench

Pell Hydrashear Cutter - Model C



- Hydraulic cable cutters
- Just pump the handle
- Capacity: 1-3/4"

Item #	Description	Std Pkg
010-C-1750	Model C Pell Hydrashear Cable Cutter	1ea

Pell Hydrashear Cutter - Model P



- Hydraulic cable cutters
- Just pump the handle
- Capacity: 1-1/8"

Item #	Description	Std Pkg
010-P-1125	Model P Pell Hydrashear Cable Cutter	1ea

Pell Hydrashear Cutter - Model W



- Hydraulic cable cutters
- Just pump the handle
- Capacity: 3/4"

Item #	Description	Std Pkg
010-W-075	Model W Pell Hydrashear Cable Cutter	1ea



Windshield De-Icer



- Defrosts stuck wipers
- Helps free frozen locks
- Frees frozen door latches
- Defrosts car windows instantly
- Ideal for vehicles parked without shelter
- Spray in advance to help prevent frost formation

Item #	Description	Std Pkg
038-DE1	Windshield De-Icer	12 ea

Starting Fluid



- Effective at -65°F
- Diesel fuel additive
- Contains upper cylinder lubricant
- Quickly starts gasolene and diesel engines

Item #	Description	Std Pkg
038-M3515	11 oz Starting Fluid	12 ea

Thrust Starting Fluid



- Effective at -65°F
- Diesel fuel additive
- Contains upper cylinder lubricant
- Quickly starts gas engines and diesel engines

Item #	Description	Std Pkg
038-M3815	11 oz Thrust Starting Fluid	12 ea

Brake Fluid - DOT 3



- Developed for today's disc and drum braking
- Meets or exceeds DOT 3 specifications
- Heavy duty formula has a boiling point of 450°F

Item #	Description	Std Pkg
038-M4412/12	12 oz Brake Fluid DOT 3	12 ea



Vanguard Lateral Cap Type II - Fas-Trac



- Slotted for use with MSA accessories
- Designed to provide limited impact for top or lateral blow to the head

Item #	Description	Std Pkg
137-804940	Vanguard Lateral Cap Fas-Trac White	20 ea

V-Gard Slotted Full Brim Hat - Staz-On



- Slotted
- Polyethylene shell
- Self adjusting crown
- Staz-On suspension
- World recognized "V" design

Item #	Description	Std Pkg
137-454730	V-Gard Slotted Full Brim Hat Staz-On Yellow	20 ea
137-454731	V-Gard Slotted Full Brim Hat Staz-On Gray	20 ea
137-454732	V-Gard Slotted Full Brim Hat Staz-On Blue	20 ea
137-454733	V-Gard Slotted Full Brim Hat Staz-On White	20 ea
137-454734	V-Gard Slotted Full Brim Hat Staz-On Orange	20 ea
137-454735	V-Gard Slotted Full Brim Hat Staz-On Green	20 ea
137-454736	V-Gard Slotted Full Brim Hat Staz-On Red	20 ea

V-Gard Slotted Full Brim Hat - Fas-Trac



- V-Gard Design
- Polyethylene Shell
- Fas-Trac Suspension
- The Mainstay in Protection

Item #	Description	Std Pkg
137-475366	V-Gard Slotted Full Brim Hat Fas-Trac Yellow	20 ea
137-475367	V-Gard Slotted Full Brim Hat Fas-Trac Gray	20 ea
137-475368	V-Gard Slotted Full Brim Hat Fas-Trac Blue	20 ea
137-475369	V-Gard Slotted Full Brim Hat Fas-Trac White	20 ea
137-475370	V-Gard Slotted Full Brim Hat Fas-Trac Green	20 ea
137-475371	V-Gard Slotted Full Brim Hat Fas-Trac Red	20 ea
137-496075	V-Gard Slotted Full Brim Hat Fas-Trac Orange	20 ea
137-C217374	V-Gard Slotted Full Brim Hat Fas-Trac Black	20 ea

V-Gard Slotted Cap - Fas-Trac



- Various colors
- Polyethylene shell
- Type 1 classification
- General purpose use

Item #	Description	Std Pkg
137-475358	V-Gard Slotted Cap Fas-Trac White	20 ea
137-475359	V-Gard Slotted Cap Fas-Trac Blue	20 ea
137-475360	V-Gard Slotted Cap Fas-Trac Yellow	20 ea
137-475361	V-Gard Slotted Cap Fas-Trac Orange	20 ea
137-475362	V-Gard Slotted Cap Fas-Trac Green	20 ea
137-475363	V-Gard Slotted Cap Fas-Trac Red	20 ea
137-475364	V-Gard Slotted Cap Fas-Trac Gray	20 ea
137-495862	V-Gard Slotted Cap Fas-Trac Pink	20 ea



V-Gard Slotted Cap - Staz-On



- Various colors
- Polyethylene shell
- Self adjusting crown straps
- 4 point pin-lock suspension



Item #	Description	Std Pkg
137-463942	V-Gard Slotted Cap Staz-On White	20 ea
137-463943	V-Gard Slotted Cap Staz-On Blue	20 ea
137-463944	V-Gard Slotted Cap Staz-On Yellow	20 ea
137-463945	V-Gard Slotted Cap Staz-On Orange	20 ea
137-463946	V-Gard Slotted Cap Staz-On Green	20 ea
137-463947	V-Gard Slotted Cap Staz-On Red	20 ea
137-463948	V-Gard Slotted Cap Staz-On Gray	20 ea
137-475235	V-Gard Slotted Cap Staz-On Black	20 ea
137-485364	V-Gard Slotted Cap Staz-On Pink	20 ea
137-815558	V-Gard Slotted Cap Staz-On Lime Green	20 ea

Skullgard Full Brim Hat - Fas-Trac



- Full brim hat
- Phenolic shell
- Type classification
- General purpose use

Item #	Description	Std Pkg
137-475407	Skullgard Hat Fas-Trac Natural Tan	20 ea

Skullgard Cap - Fas-Trac



- Cap style
- Phenolic material
- For general purpose use

Item #	Description	Std Pkg
137-475395	Skullgard Cap Fas-Trac Natural Tan	20 ea

Clear V-Gard Visor - Flat



- Superior UV protection
- Polycarbonate material
- Use with V-gard products

Item #	Description	Std Pkg
137-10115836	8"x 17" x .04" Clear Contoured Visor	1 ea

Clear Poly Visors - Formed



- Fit easily on MSA faceshield frames
- Meets ANSI Z87.1-2003 standards

Item #	Description	Std Pkg
137-488132	8" x 16" x .06 Clear Formed Poly Visor Face Shield	1 ea

Smoke Sun Shield



- Fits V-gard & Top gard caps
- Polyurethane
- Front portion is Lexan smoke tint

Item #	Description	Std Pkg
137-697410	Sun Shield Smoke/Plastic for V-Gard	1 ea

V-Gard Metal Frame - 10158799



- Coil spring offers easy loading onto helmet
- For slotted or unslotted Caps or Full Brim Hats
- Side clips provide quick and simple attachment for V-Gard Visors

Item #	Description	Std Pkg
137-10158799	Faceshield Metal Frame F/Front Brim Hard Hats	10 ea

V-Guard Visor Frame - 10115822



- Unique 3 pt. visor loading
- Works with or w/o ear muffs
- For use with caps or hats

Item #	Description	Std Pkg
137-10115822	3 point V-Guard Universal Frame for Caps	1 ea

V-Guard Visor Frame - 10116627



- Unique 3 pt. visor loading
- Works with or w/o ear muffs
- For use with caps or hats

Item #	Description	Std Pkg
137-10116627	3 point Universal HD Visor Frame for Hats	1 ea

V-Guard Headgear



- Sweat-wicking cushioned head band
- Use only with V-gard visors
- Not compatible with hearing protectors

Item #	Description	Std Pkg
137-10127061	V-GARD Black Headgear General Purpose	1 ea

DWOS Econo Ear Muff Protectors



- NRR 20 dB
- Dielectric design
- Extremely soft ear cushions
- Use around electrical hazards

Item #	Description	Std Pkg
137-10061273	DWOS Econo Ear Muff Protectors (10090646)	6 ea



HPE Headband Earmuff



- Wide head band w/ventilated padding
- Super soft ear cushions
- Easily adjustable headband
- Large space for ear inside the cushions

Item #	Description	Std Pkg
137-10061271	23 NRR db Earmuff HPE Headband	1 ea

Staz-On Suspension



- 4 point suspension
- Features high quality sweatband
- Nylon height adjusters
- Easily clips into V-gard hats or caps

Item #	Description	Std Pkg
137-10087218	4 Point Staz-On Suspension	1 ea

Fas-Trac III Suspension - 10148708



- Flush rear lug attachments
- Three levels of nape strap adjustment
- Graspable ratchet
- The ratchet comfort pad

Item #	Description	Std Pkg
137-10148708	Fas-Trac III Replacement Suspension for V-Gard	1 ea

Fas-Trac III Suspension - 10153385



- Flush rear lug attachments eliminate pressure points
- Three levels of nape strap adjustment
- Graspable ratchet
- Comfort pad contours to the back of the head

Item #	Description	Std Pkg
137-10153385	Fas-Trac III Replacement Suspension for Skullgard	1 ea

Sweatband



- Fits ALL MSA helmets
- Absorbent & comfortable
- Machine washable

Item #	Description	Std Pkg
137-696688	Sweatband Terri Cotton	10 ea

Chinstrap - 10171107



- Flexible construction and adjustable design for long-wearing comfort

Item #	Description	Std Pkg
137-10171107	3/4 " 2 Point Chinstrap for Staz-On Suspension	1 ea

Chinstrap - 10171104



- Attaches directly to shell or suspension
- Flexible construction and adjustable design for long-wearing comfort

Item #	Description	Std Pkg
137-10171104	3/4" 2 Point Chinstrap Attaches to Shell	1 ea

Hat Rack



- Nickel plated
- Fits on the front or back of the vehicle seat
- Holds 1 hard hat

Item #	Description	Std Pkg
137-696389	Hardhat Rack for Back of Vehicle Seat	1 ea



Muck Chore Steel Toe Boot



- Steel toe
- Height 16"
- 5 mm Neoprene
- 100% waterproof
- Stretch-fit topline binding snugs calf
- Durable, lightweight rubber outsole

Item #	Description	Std Pkg
265-CHS-000A-10	Muck Chore Size 10 Steel Toe Safety Boot	1 pr
265-CHS-000A-11	Muck Chore Size 11 Steel Toe Safety Boot	1 pr
265-CHS-000A-12	Muck Chore Size 12 Steel Toe Safety Boot	1 pr
265-CHS-000A-13	Muck Chore Size 13 Steel Toe Safety Boot	1 pr
265-CHS-000A-14	Muck Chore Size 14 Steel Toe Safety Boot	1 pr
265-CHS-000A-8	Muck Chore Size 8 Steel Toe Safety Boot	1 pr
265-CHS-000A-9	Muck Chore Size 9 Steel Toe Safety Boot	1 pr



Big Mule Wipes



- 10" x 12"
- 72 Wipes
- Pre-moistened
- Wipes away tough grease

Item #	Description	Std Pkg
157-BMW-6	10" X 12" Wipes 72 ct Dispenser	6 ea

Original Red Hand Cleaner - 16oz



- Industrial strength formula
- Cleans quickly, rinses easily
- No drying or chapping of hands
- Contains abrasives for deep cleaning action

Item #	Description	Std Pkg
157-OR-16	16oz Tube Original Red Hand Cleaner	12 ea



Original Red Hand Cleaner - 1gal



- Industrial strength formula
- Cleans quickly, rinses easily
- No drying or chapping of hands
- Contains abrasives for deep cleaning action

Item #	Description	Std Pkg
157-RHC-G	1gal Original Red Hand Cleaner	6 ea

OL Rusty Penetrating Lubricant



- Fast penetration
- Long lasting
- Fights corrosion
- Displaces moisture

Item #	Description	Std Pkg
157-OLR-15	15oz OL' Rusty Penetrating Lubricant	12 ea

Kick It Cleaner/Degreaser - 1gal



- Industrial Strength Cleaner-Degreaser
- Non-solvent formula
- Very pleasant fragrance
- Cleans grease, oil, food fats, transmission fluid, hydraulic oil and more

Item #	Description	Std Pkg
157-KI-1	1gal Kick It Cleaner/Degreaser Concentrate	4 ea

Kick It Cleaner/Degreaser - 5gal



- Industrial Strength Cleaner-Degreaser
- Non-solvent formula
- Very pleasant fragrance
- Cleans grease, oil, food fats, transmission fluid, hydraulic oil and more

Item #	Description	Std Pkg
157-KI-5	5gal Kick It Cleaner/Degreaser Concentrate	1 pail

Kick It Cleaner/Degreaser



- Industrial Strength Cleaner-Degreaser
- Non-solvent formula
- Very pleasant fragrance
- Cleans grease, oil, food fats, transmission fluid, hydraulic oil and more

Item #	Description	Std Pkg
157-KI-QT	32oz Kick It Cleaner/Degreaser w/ Trigger Sprayer	12 ea

Double Team Truck & Trailer Wash - 1gal



- Concentrated/Free rinsing/Phosphate-free
- Non-petroleum formula
- Cleans heavy road film, exhaust deposits, bug residue, grease and oil.
- Removes heavy exhaust deposits, road film & bug residue from painted surfaces

Item #	Description	Std Pkg
157-DT-1	1gal Double Team Truck & Trailer Wash	4 ea

Double Team Truck & Trailer Wash - 5gal



- Concentrated/Free rinsing/Phosphate-free
- Non-petroleum formula
- Cleans heavy road film, exhaust deposits, bug residue, grease and oil.
- Removes heavy exhaust deposits, road film & bug residue from painted surfaces

Item #	Description	Std Pkg
157-DT-5	5gal Double Team Truck & Trailer Wash	1 pail

No Mo Bugz Remover



- Makes bug splatters easy to remove
- Cuts every bug known to man from windshields, headlights, grills, bumpers and all other surfaces.

Item #	Description	Std Pkg
157-NMB-QT	32oz No Mo Bugz Bug Remover w/ Trigger Sprayer	12 ea



JT6 Hi-Temp Grease #2 - 14 oz



- Approximate temperature range: -10° to 325°F
- Designed for high temperature conditions
- Rust, oxidation and corrosion resistance
- No. 2 Red grease, Lithium-Complex

Item #	Description	Std Pkg
025-JT6-HT	14 oz JT6 No. 2 Hi-Temp Tube	10 ea

JT6 Hi-Temp Grease #2 - 1 lb



- Approximate temperature range: -10° to 325°F
- Designed for high temperature conditions
- Rust, oxidation and corrosion resistance
- No. 2 Red grease, Lithium-Complex

Item #	Description	Std Pkg
025-JT6-HT-1#	1 lb JT6 No. 2 Hi-Temp	12 ea

JT6 Hi-Temp Grease #2 - 7 lb



- Approximate temperature range: -10° to 325°F
- Designed for high temperature conditions
- Rust, oxidation and corrosion resistance
- No. 2 Red grease, Lithium-Complex

Item #	Description	Std Pkg
025-JT6-HT-7#	7 lb JT6 Hi-Temp Can No. 2	4 ea



JT6 Hi-Temp Grease #2 - 35 lb



- Approximate temperature range: -10° to 325°F
- Designed for high temperature conditions
- Rust, oxidation and corrosion resistance
- No. 2 Red grease, Lithium-Complex

Item #	Description	Std Pkg
025-JT6-HT-35#	35 lb JT6 Hi-Temp Plastic Pail No. 2	1 pail

JT6 Hi-Temp Grease #2 - 120 lb



- Lithium-Complex
- No. 2 Red grease
- For high temperature conditions
- Approx. temp range: -10° to 325°F
- Rust, oxidation and corrosion resistance

Item #	Description	Std Pkg
025-JT6-HT-120#	120 lb JT6 HT No. 2 Pail	1 pail

JT6 Hi-Temp Grease #1



- Lithium-Complex
- No. 1 Red grease
- Softer consistency
- Rust, oxidation and corrosion resistance
- Designed for high temperature conditions

Item #	Description	Std Pkg
025-JT6-HT-NO1	14 oz JT6-HT #1 Hi-Temp	10 ea

JT6 Hi-Temp Grease w/ Moly



- Water insoluble
- Contains molybdenum disulfide
- No. 2 hi-temp grease with moly
- Contains anti-rust, anti-wear, extreme pressure and antioxidant additives

Item #	Description	Std Pkg
025-JT6-HT-MOLY	14 oz JT6-HT w/3% Moly Tube	10 ea

JT6 Multi-Purpose Grease #2 - 14 oz



- Excellent anti-seize protection
- Outstanding rust and corrosion prevention
- Approximate temperature range: 0 to 250°F

Item #	Description	Std Pkg
025-JT6-MP	14 oz JT6 MP No. 2 Tube	10 ea

JT6 Multi-Purpose Grease #2 - 7 lb



- Excellent anti-seize protection
- Outstanding rust and corrosion prevention
- Approximate temperature range: 0 to 250°F

Item #	Description	Std Pkg
025-JT6-MP-7#	7 lb JT6 MP Can No. 2	4 ea

JT6 Multi-Purpose Grease #2 - 35 lb



- Excellent anti-seize protection
- Outstanding rust and corrosion prevention
- Approximate temperature range: 0 to 250°F

Item #	Description	Std Pkg
025-JT6-MP-35#	35 lb JT6 MP No. 2 Plastic Pail	1 pail

JT6 Multi-Purpose Grease #2 - Aerosol



- Excellent anti-seize protection
- Outstanding rust and corrosion prevention
- Approximate temperature range: 0 to 250°F

Item #	Description	Std Pkg
025-JT-6-MP-AERO	10.5 oz JT6 MP	12 ea

JT6 Multi-Purpose Grease #2 - 120 lb



- Water resistant and water insoluble product
- Excellent Anti-seize protection
- Extreme pressure properties
- Prevents against shock loading
- Outstanding rust and corrosion prevention

Item #	Description	Std Pkg
025-JT6-MP-120#	120 lb JT6 MP No. 2 Pail	1 pail

JT6 Synthetic Blend Grease



- No. 2 Synthetic blend grease
- Approximate temperature range: -65° to 356°F
- Unique blend of petroleum base oils and synthetic fluids
- Premium quality, multi-purpose, high-temperature, lithium-complex EP grease

Item #	Description	Std Pkg
025-JT6-SYN	14 oz JT6 Synthetic Blend	10 ea

JT7 Multi-Purpose Gear Oil - 1 qt



- Super premium extreme pressure gear lubricant
- Enhanced friction reduction properties
- Exceptional durability of performance
- Reduced dynamic friction
- Thermal stability

Item #	Description	Std Pkg
025-JT-7-QT	JT7 SAE 80W90 Quart Gear Oil	12 ea

JT7 Multi-Purpose Gear Oil - 2 gal



- Super premium extreme pressure gear lubricant
- Enhanced friction reduction properties
- Exceptional durability of performance
- Reduced dynamic friction
- Thermal stability

Item #	Description	Std Pkg
025-JT7-80W90-2	2 gal JT7 SAE 80W90 Gear Oil	3 ea



JT7 Multi-Purpose Gear Oil - 5 gal



- Super premium extreme pressure gear lubricant
- Enhanced friction reduction properties
- Exceptional durability of performance
- Reduced dynamic friction
- Thermal stability

Item #	Description	Std Pkg
025-JT7-80W90-5	5 gal JT7 SAE 80W90 Gear Oil	1 pail

JT7 Multi-Purpose Gear Oil - 85W140 - 5 gal



- Super premium extreme pressure gear lubricant
- Enhanced friction reduction properties
- Exceptional durability of performance
- Reduced dynamic friction
- Thermal stability

Item #	Description	Std Pkg
025-JT7-5GAL	5 gal 35 lb JT7 SAE 85W140 Gear Oil	1 pail

JT7 Multi-Purpose Gear Oil - 85W140 - 120 lb



- Super premium extreme pressure gear lubricant
- Enhanced friction reduction properties
- Exceptional durability of performance
- Reduced dynamic friction
- Thermal stability

Item #	Description	Std Pkg
025-JT7-MP-120#	120 lb JT7 SAE 85W140 Gear Oil	1 pail

Twin Disc Converter Fluid



- Twin Disc Fluid
- Low viscosity
- Low friction fluid
- Anti-foam inhibitor
- For specialized applications

Item #	Description	Std Pkg
025-TWIN-DISC	5 gal Twin Disc Converter Fluid	1 pail

Non Detergent Oil



- Non-detergent general purpose oil
- Designed for use in non-critical applications
- Not recommended for gasoline or diesel engines

Item #	Description	Std Pkg
025-30-SAE	30 qt Non-Detergent General Purpose Oil	12 ea

Outside Gear Grease



- Very adhesive
- Water insoluble
- Resistance to washing
- Stringy and self-spreading
- Leaves corrosion resistant film

Item #	Description	Std Pkg
025-OG-5	Outside Gear Grease Cartridge	25 ea



307 General Purpose Duct Tape



- Hand-tearable
- 7 mil Utility grade
- Bonds to most surfaces
- Polyethylene coated cloth
- Resist twisting and curling

Item #	Description	Std Pkg
251-307-SIL	2" x 60 yd 7 mil Silver Duct Tape	24 ea

203 Multi-Purpose Duct Tape



- Low residue
- 9 mil Multi-purpose
- Polyethylene coated cloth
- Good tensile strength, adhesion, tack

Item #	Description	Std Pkg
251-203-SIL	2" x 60 yd 9 mil Silver Duct Tape	24 ea

2280 Multi-Purpose Duct Tape



- Tear by hand
- 9 mil Multi-purpose
- Polyethylene coated cloth
- Conforms to irregular surfaces

Item #	Description	Std Pkg
251-2280-OD	2" x 60 yd 9 mil Olive Drab Duct Tape	24 ea
251-2280-SIL	2" x 60 yd 9 mil Silver Duct Tape	24 ea

223 Multi-Purpose Duct Tape



- Silver
- 10 mil
- 2" x 60 yd

Item #	Description	Std Pkg
251-223-SIL	2" x 60 yd 10 mil Silver Duct Tape	24 ea

398 Professional Grade Duct Tape



- Curl resistant
- Tears straight
- Conforms to irregular surfaces
- High quality polyethylene coated cloth

Item #	Description	Std Pkg
251-398-BLK	2" x 60 yd 11 mil Black Duct Tape	24 ea
251-398-RED	2" x 60 yd 11 mil Red Duct Tape	24 ea
251-398-SIL	2" x 60 yd 11 mil Silver Duct Tape	24 ea
251-398-WHT	2" x 60 yd 11 mil White Duct Tape	24 ea



777 PVC Electrical Tape



- Black PVC
- 7 mil general purpose
- Bundling jobs up to 600V

Item #	Description	Std Pkg
251-777-BLACK	3/4" x 60' Black 7 mil PVC Electrical Tape	10 ea

B17 PVC Electrical Tape



- Good adhesion
- 8 colors available
- All weather performance
- UL510 compliant up to 9500V
- Applications: Wire splicing, harness wrapping, weatherproofing outdoor connections, color coding

Item #	Description	Std Pkg
251-B17-BLUE	3/4" x 66' Blue 7 mil PVC Electrical Tape	10 ea
251-B17-BRN	3/4" x 66' Brown 7 mil PVC Electrical Tape	10 ea
251-B17-GREEN	3/4" x 66' Green 7 mil PVC Electrical	10 ea
251-B17-GRY	3/4" x 66' Gray 7 mil PVC Electrical Tape	10 ea
251-B17-ORG	3/4" x 66' Orange 7 mil PVC Electrical Tape	10 ea
251-B17-RED	3/4" x 66' Red 7 mil PVC Electrical Tape	10 ea
251-B17-WHITE	3/4" x 66' White 7 mil PVC Electrical Tape	10 ea
251-B17-YELLOW	3/4" x 66' Yellow 7 mil PVC Electrical Tape	10 ea

MT100 All-Purpose Masking Tape



- Natural color
- All-purpose utility grade
- Clean removal adhesive
- Conforms to irregular surfaces
- For light bundling, packaging, labeling

Item #	Description	Std Pkg
251-MT100-1	1" x 60 yd Masking Tape All-Purpose	36 ea
251-MT100-1-1/2	1-1/2" x 60 yd Masking Tape All-Purpose	24 ea
251-MT100-2	2" x 60 yd Masking Tape All-Purpose	24 ea

140B Blue Painters Tape



- Blue painters tape
- Excellent UV resistance
- Clean removal up to 14 Days
- Resists moisture and solvents
- Not for use with varnish or urethanes

Item #	Description	Std Pkg
251-140B-BLUE	2" x 60 yd Blue Painters Tape	24 ea

704 White Filament Tape



- Hi-tack
- Fiberglass reinforced tape
- 100 lb tensile strength
- For strapping, palletizing, packaging

Item #	Description	Std Pkg
251-704-1	1" x 60 yd White Filament Tape (strapping)	36 ea
251-704-3/4	3/4" x 60 yd White Filament (strapping) Tape	48 ea

813 Clear Carton Sealing Tape



- 1.9 mil Clear
- Resistant to chemicals
- High adhesion to corrugate
- For sealing medium weight cartons

Item #	Description	Std Pkg
251-813-2	2" x 55 yd Clear Carton Sealing Tape	36 ea
251-813-2-110	2" x 110 yd Clear Carton Sealing Tape	36 ea



National Banner

Mass Pennant Style - Alternating



- 68 per string
- Double-sewn on plastic covered, hi-strength, sag-resistant NABLON

Item #	Description	Std Pkg
133-PC100-A	9" x 12" x 100' String Alternating Pennant Colors	1 ea

Mass Pennant Style - Blaze Orange



- 68 per string
- Double-sewn on plastic covered, hi-strength, sag-resistant NABLON

Item #	Description	Std Pkg
133-PC100-F	9" x 12" x 100' String Blaze Orange Pennants	1 ea

Bike Safety Flag - Orange



- 10" x 12"
- 1/4" x 6' fiberglass pole
- Heavy Duty fluorescent plasti-cloth flag
- Plated steel mounting bracket with reinforced ridges
- Complete unit ready to mount to rear axle

Item #	Description	Std Pkg
133-BFA-ORANGE	6' Orange Bike Safety Flag	1 ea

Texas Flag



- 3' x 5' Texas Flag
- Dye printed field and stripes
- Fly ends reinforced with nylon stitching
- Sewn with heavy header-brass grommets

Item #	Description	Std Pkg
133-TBF	3' x 5' Texas Flag Bunting w/Brass Grommets	1 ea

NABO
National Banner
USA Flag



- 3' x 5' US Flag
- Made with polyester
- Fly ends reinforced with nylon stitching
- Sewn with heavy header-brass grommets

Item #	Description	Std Pkg
133-US10	3' x 5' US Flag Poly w/Brass Grommets	1 ea



Universal FR Jacket



- Universal 35
- Flame resistant
- Snaps for hood
- Raglan shoulder design
- Snap front closure w/strom flap

Item #	Description	Std Pkg
244-35-SJ-YEL-3X	FR Jacket Yellow PVC/Nylon/PVC w/Snaps on Collar	1 ea
244-35-SJ-YEL-4X	FR Jacket Yellow PVC/Nylon/PVC w/Snaps on Collar	1 ea
244-35-SJ-YEL-L	FR Jacket Yellow PVC/Nylon/PVC w/Snaps on Collar	1 ea
244-35-SJ-YEL-M	FR Jacket Yellow PVC/Nylon/PVC w/Snaps on Collar	1 ea
244-35-SJ-YEL-XL	FR Jacket Yellow PVC/Nylon/PVC w/Snaps on Collar	1 ea
244-35-SJ-YEL-XXL	FR Jacket Yellow PVC/Nylon/PVC w/Snaps on Collar	1 ea

Universal FR Bib Style Pants



- Universal 35
- Flame resistant
- Adjustable suspenders
- Non-conductive closures
- Safety fly w/snap closure

Item #	Description	Std Pkg
244-35-BTF-YEL-3X	FR Pants Bib Style Yellow PVC/Nylon/PVC	1 ea
244-35-BTF-YEL-4X	FR Pants Bib Style Yellow PVC/Nylon/PVC	1 ea
244-35-BTF-YEL-L	FR Pants Bib Style Yellow PVC/Nylon/PVC	1 ea
244-35-BTF-YEL-M	FR Pants Bib Style Yellow PVC/Nylon/PVC	1 ea
244-35-BTF-YEL-XL	FR Pants Bib Style Yellow PVC/Nylon/PVC	1 ea
244-35-BTF-YEL-XXL	FR Pants Bib Style Yellow PVC/Nylon/PVC	1 ea

Universal Detachable Hood



- Fits style universal 35
- Hood with snaps

Item #	Description	Std Pkg
244-35HO	#35 Yellow Detachable Hood	1 ea

Economy FR Rain Suit



- Economy style I36
- Bib front trousers
- Detachable hood
- Flame resistant
- Underarm vents
- Vented back
- 2 pockets

Item #	Description	Std Pkg
244-I36S-YEL-3X	.35mm FR 3 Piece Yellow Economy Rain Suit	1 ea
244-I36S-YEL-4X	.35mm FR 3 Piece Yellow Economy Rain Suit	1 ea
244-I36S-YEL-L	.35mm FR 3 Piece Yellow Economy Rain Suit	1 ea
244-I36S-YEL-M	.35mm FR 3 Piece Yellow Economy Rain Suit	1 ea
244-I36S-YEL-XL	.35mm FR 3 Piece Yellow Economy Rain Suit	1 ea
244-I36S-YEL-XXL	.35mm FR 3 Piece Yellow Economy Rain Suit	1 ea

Dura Quilt Jacket



- Dura quilt 56
- 30" long jacket
- Corduroy tip collar
- Electronically welded seams
- Snaps allows for detachable hood

Item #	Description	Std Pkg
244-56-SJ-YEL-3X	Dura Quilt Jacket Yellow PVC/Poly w/Snap Collar	1 ea
244-56-SJ-YEL-4X	Dura Quilt Jacket Yellow PVC/Poly w/Snap Collar	1 ea
244-56-SJ-YEL-L	Dura Quilt Jacket Yellow PVC/Poly w/Snap Collar	1 ea
244-56-SJ-YEL-M	Dura Quilt Jacket Yellow PVC/Poly w/Snap Collar	1 ea
244-56-SJ-YEL-XL	Dura Quilt Jacket Yellow PVC/Poly w/Snap Collar	1 ea
244-56-SJ-YEL-XXL	Dura Quilt Jacket Yellow PVC/Poly w/Snap Collar	1 ea

Dura Quilt Bib Style Pants



- Dura quilt 56
- Bib front
- Adjustable suspenders
- Safety fly snap closure
- Ribbed PVC on polyester
- Electronically welded seams

Item #	Description	Std Pkg
244-56-BTF-YEL-3X	Dura Quilt Pants Yellow Bib Style PVP/Poly	1 ea
244-56-BTF-YEL-4X	Dura Quilt Pants Yellow Bib Style PVP/Poly	1 ea
244-56-BTF-YEL-L	Dura Quilt Pants Yellow Bib Style PVP/Poly	1 ea
244-56-BTF-YEL-M	Dura Quilt Pants Yellow Bib Style PVP/Poly	1 ea
244-56-BTF-YEL-XL	Dura Quilt Pants Yellow Bib Style PVP/Poly	1 ea
244-56-BTF-YEL-XXL	Dura Quilt Pants Yellow Bib Style PVP/Poly	1 ea

Dura Quilt Detachable Hood



- Hood with snaps
- Fits dura quilt style 56

Item #	Description	Std Pkg
244-56HO	#56 Yellow Detachable Hood	1 ea



Marshlander Jacket w/ Hood



- 100% waterproof
- Oil resistive additive
- Attached hood w/drawstring
- High neck flap for storm protection

Item #	Description	Std Pkg
244-MM50AJ-GRN-2XL	.50 mm Marshlander Green Jacket w/Hood	1 ea
244-MM50AJ-GRN-L	.50 mm Marshlander Green Jacket w/Hood	1 ea
244-MM50AJ-GRN-M	.50 mm Marshlander Green Jacket w/Hood	1 ea

Marshlander Bib Style Pants



- Fully reversible bib trousers
- Inside mesh pocket
- 100% waterproof
- Wide legs

Item #	Description	Std Pkg
244-MM50BT-GRN-2XL	.50 mm Marshlander Green Pants	1 ea
244-MM50BT-GRN-L	.50 mm Marshlander Green Pants	1 ea
244-MM50BT-GRN-M	.50 mm Marshlander Green Pants	1 ea

Marshlander Rain Suit



- Heavy duty coated polyester
- Heat sealed seams
- Elastic waist pants
- 100% waterproof

Item #	Description	Std Pkg
244-MM30S-GRN-3XL	2 pc .30 mm Marshlander Suit Green PVC/Poly	1 ea
244-MM30S-GRN-4XL	2 pc .30 mm Marshlander Suit Green PVC/Poly	1 ea
244-MM30S-GRN-L	2 pc .30 mm Marshlander Suit Green PVC/Poly	1 ea
244-MM30S-GRN-XL	2 pc .30 mm Marshlander Suit Green PVC/Poly	1 ea

ComforTuff FR Coveralls



- Flame resistant
- 9 oz. FR cotton material
- Abrasive & snap resistant
- Polyurethane outside / nylon inside

Item #	Description	Std Pkg
244-VI9CAGY-51-2X	ComforTuff FR Gray Coveralls w/Reflective Tape	1 ea
244-VI9CAGY-51-3X	ComforTuff FR Gray Coveralls w/Reflective Tape	1 ea
244-VI9CAGY-51-L	ComforTuff FR Gray Coveralls w/Reflective Tape	1 ea
244-VI9CAGY-51-M	ComforTuff FR Gray Coveralls w/Reflective Tape	1 ea
244-VI9CAGY-51-XL	ComforTuff FR Gray Coveralls w/Reflective Tape	1 ea



Red Frame / Smoke Lens



- Red frame
- Smoke lens

Item #	Description	Std Pkg
266-22611	Nemesis Red Frame/Smoke Lens	12 ea

Black Frame / Clear Lens



- Black frame
- Clear lens

Item #	Description	Std Pkg
266-3000354	Nemesis Black Frame/Clear Lens	12 ea

Black Frame / Smoke Lens



- Black frame
- Smoke lens

Item #	Description	Std Pkg
266-3000356	Nemesis Black Frame/Smoke Lens	12 ea

Black Frame/Blue Mirror Lens



- Black frame
- Blue mirror lens

Item #	Description	Std Pkg
266-3000358	Nemesis Black Frame/Blue Mirror Lens	12 ea

Black Frame / Amber Lens



- Black frame
- Amber lens

Item #	Description	Std Pkg
266-3000359	Nemesis Black Frame/Amber Lens	12 ea

Camo Frame / Copper Lens



- Camo frame
- Copper lens

Item #	Description	Std Pkg
266-3011375	Nemesis Camo Frame/Copper Lens	12 ea

Camo Frame / Clear Lens



- Camo frame
- Clear lens

Item #	Description	Std Pkg
266-3020706	Nemesis Camo Frame/Clear Lens	12 ea



Camo Frame / Dark Lens



- Camo frame
- Dark lens

Item #	Description	Std Pkg
266-3020707	Nemesis Camo Frame/Dark Lens	12 ea

Camo Frame / Amber Lens



- Camo frame
- Amber lens

Item #	Description	Std Pkg
266-22610	Nemesis Camo Frame/Amber Lens	12 ea

Bifocal Safety Glasses - 22519



- 99.9% UV protection
- Neck cord included
- "Cheaters" style with integral diopters

Item #	Description	Std Pkg
266-22519	2.5 Magnified Black Frame/Smoke Lens Glasses	6 ea

Hellraiser Safety Glasses - 25714



- 99% UV protection
- Extremely lightweight
- Plastic molded nosepiece

Item #	Description	Std Pkg
266-25714	Hellraiser Black Frame w/Smoke Lens Glasses	12 ea



Regular Grade Anti-Seez - Brush Top



- Extreme pressure lubricant
- Protects metal parts against rust,
- Corrosion and seizure up to 1800°F
- Formulated with copper, graphite, aluminum

Item #	Description	Std Pkg
073-NSBT-16	1 lb Regular Grade BIC	12 ea
073-NSBT-8	8 oz Regular Grade BIC	12 ea

Regular Grade Anti-Seez - Flat Top



- Extreme pressure lubricant
- Protects metal parts against rust, corrosion and seizure up to 1800°F
- Formulated with copper, graphite, aluminum

Item #	Description	Std Pkg
073-NS-168	8lb Regular Grade Flat Top	4 ea

Regular Grade Anti-Seez - Aerosol



- Regular grade 16 oz aerosol
- Protects metal parts against rust, corrosion and seizure up to 1800°F
- Formulated with copper, graphite, aluminum
- Anti-seize compound and extreme pressure lubricant
- Fine metallic and graphite particles in special grease

Item #	Description	Std Pkg
073-NSA-16	16 fl oz Regular Grade	12 ea

Blue Moly Anti-Seez - Brush Top



- Withstands pressures to 300,000 PSI and temperatures up to 1500°F
- Effective under extreme pressures involving heavy loads and slow speed
- High concentration of molybdenum disulfide

Item #	Description	Std Pkg
073-NBBT-16	1 lb Blue Moly Brush Top	12 ea
073-NBBT-8	8 oz Blue Moly Brush Top	12 ea

Nickel Grade Anti-Seez - Brush Top



- Protects up to 2400°F
- Extreme pressure lubricant
- Protects against seizure and galling
- High temperature anti-seize lubricant
- Nickel and graphite anti-seize compound
- Contains flake particles of pure nickel, graphite

Item #	Description	Std Pkg
073-NSBT-16N	1 lb Nickel Grade BIC	12 ea
073-NSBT-8N	8 oz Nickel Grade BIC	12 ea

Pipe Compound w/ Teflon - Brush Top



- Contains PTFE
- Allows greater thread engagement
- Provides maximum thread lubrication
- Prevents corrosion and galling of threads

Item #	Description	Std Pkg
073-NPBT-16	16 oz Pipe Compound w/Teflon	12 ea
073-NPBT-8	8 oz Pipe Compound w/Teflon	12 ea



Economy Hacksaw Frame



- Adjustable for 10" and 12" blades
- Angle adjustment 45/90°
- Cuts to 2.75" depth

Item #	Description	Std Pkg
016-80950	Nicholson 10"-12" Adjustable Economy Hacksaw	5 ea



General Purpose Hacksaw Frame



- Adjusts 90° for vertical or horizontal cuts
- Instantly adjustable for 10" to 12" blades
- 3-1/2" depth of throat

Item #	Description	Std Pkg
016-80951	General Purpose Hacksaw	6 ea

Heavy Duty Hacksaw Frame



- High impact, contoured handle
- 45° blade adjustment
- Adjust from 10" to 12"

Item #	Description	Std Pkg
016-80952	#10 HD Hacksaw Frame	6 ea

Cushion Grip Hacksaw Frame



- Screw-operated lever for tensioning the blade up to 30,000 PSI
- Blade can be positioned for 45° or 90° cutting
- Spare blades can be stored inside frame
- End of frame can be used as a jab saw

Item #	Description	Std Pkg
016-80965	12" Cushion Grip High Tension Hacksaw Frame	6 ea

Bi-Metalloy Hacksaw Blade



- Molybdenum alloy steel edge with high carbon steel backing
- High tooth hardness and shock resistance

Item #	Description	Std Pkg
016-62635N	NF1018 Bi-Metalloy 10" x 18 TPI Hacksaw Blade	10 ea
016-62659N	NF1024 Bi-Metal 10" x 24 TPI Hacksaw Blade	10 ea
016-62723N	NF1218 Bi-Metalloy 12" x 18 TPI Hacksaw Blade	10 ea
016-62749N	NF1224 Bi-Metal 12" x 24 TPI Hacksaw Blade	10 ea

8 pc Machinists File Set



- 7" & 10" File Set
- Includes a File Cleaner Card
- Features a Rugged, Compact Pouch

Item #	Description	Std Pkg
016-22025NN	8 pc Machinist File Set	1 ea



38 pc Series 836 Tap & Die Set



- 17 Plug Taps
- 16 Hex. Dies
- 1/8-27 NPT Rd Die & Pipe Tap
- JT-40 T-Handle Tap Wrench
- JT-20 T-Handle Tap Wrench
- TRD47 Round Die Stock

Item #	Description	Std Pkg
084-083571	38 pc Hex Tap & Die Set	1 set

64 pc Series 836 Tap & Die Set



- **Includes:** 26 Plug Taps, Screw Pitch Gauge, 3 Round Die Stocks, T-Handle Tap Wrench, 20 Round Adjustable Dies, 2 Adjustable Tap Wrenches, 1/8-27, 1/4-187 NPT Pipe Tap & Die

Item #	Description	Std Pkg
084-083574	64 pc Tap & Die Set w/Round Dies	1 set

Hand Pipe Tap Series 834NPT

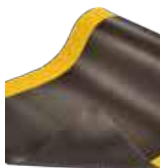


- Bright finish
- Heat-treated carbon steel
- Not recommended for machine use

Item #	Description	Std Pkg
084-083445	1/8 - 27 NPT Hand Pipe Tap Series 834NPT	1 ea
084-083446	1/4 - 18 NPT Hand Pipe Tap Series 834NPT	1 ea
084-083447	3/8 - 18 NPT Hand Pipe Tap Series 834NPT	1 ea
084-083448	1/2 - 14 NPT Hand Pipe Tap Series 834NPT	1 ea
084-083449	3/4 14 NPT Hand Pipe Tap Series 834NPT	1 ea
084-083450	1 - 11-1/2 NPT Hand Pipe Tap Series 834NPT	1 ea
084-083451	2 - 11- 1/2 NPT Hand Pipe Tap Series 834NPT	1 ea



Switchboard Matting



- Non-conductive
- Anti-slip surface
- Roll Size: 4' x 75'
- Overall Thickness: 1/4"
- Type 2 PVC compound
- Absorbs impact, reduces breakage & protects floor

Item #	Description	Std Pkg
120-830R0475BL	4'x75' 830 Switchboard Matting	1 roll

Diamond Switchboard Matting



- Non-conductive
- Anti-slip surface
- Roll Size: 4' x 75'
- Overall Thickness: 1/4"
- Type 2 PVC compound
- Absorbs impact, reduces breakage & protects floor

Item #	Description	Std Pkg
120-831R0048BL	4'x75' 831 Diamond Switchboard Matting	1 roll



Dead Blow Hammer SG Grip



- Super Grip
- Non-marring face
- Free flowing inner shot
- Shot-loaded composite interior cavities fully encased in a tough polymer outer jacket

Item #	Description	Std Pkg
229-10-015	1 lb Dead Blow 12.5" Hammer SG Grip	5 ea
229-10-025	2 lb Dead Blow 13.75" Hammer SG Grip	5 ea
229-10-035	3 lb Dead Blow 14.5" Hammer SG Grip	2 ea

Dead Blow Hammer CS Grip



- Standard grip
- Non-marring face
- Free flowing inner shot
- Shot-loaded composite interior cavities fully encased in a tough polymer outer jacket

Item #	Description	Std Pkg
229-10-020	2 lb Dead Blow 13.75" Hammer C Grip	5 ea

Classic Ball Pein Hammer H Grip



- Carbon steel heads
- Cush-N-Grip: Long and sleek grip
- Super duty handle made tough from fiberglass strands encased in a proprietary resin

Item #	Description	Std Pkg
229-21-008	8 oz Ball Pein 11" Hammer Classic Handle H Grip	6 ea
229-21-012	12 oz Ball Pein 12" Hammer Classic Handle H Grip	6 ea
229-21-020	20 oz Ball Pein 13" Hammer Classic Handle H Grip	6 ea
229-21-024	24 oz Ball Pein 14" Hammer Classic Handle H Grip	6 ea
229-21-032	32 oz Ball Pein 14" Hammer Classic Handle H Grip	6 ea

Classic Ball Pein Hammer SG Grip



- Super Grip
- Carbon steel heads
- Super duty handle made tough from fiberglass strands encased in a proprietary resin

Item #	Description	Std Pkg
229-21-532	32 oz Ball Pein 14" Hammer Handle SG Grip	6 ea

Nuplaglas Ball Pein Hammer - 21-016



- Fiberglass super-duty handle
- Nupla Lifetime Warranty
- Forged and heat treated carbon steel heads

Item #	Description	Std Pkg
229-21-016	16 oz Ball Pein Hammer Classic Handle	6 ea

Classic Sledge Hammer SG Grip



- Super Grip
- Industrial grade heads
- Super-duty handle made tough from fiberglass strands encased in proprietary resin

Item #	Description	Std Pkg
229-27-021	2 lb Sledge 14" Classic Handle SG Grip	2 ea
229-27-035	3 lb Sledge 14" Classic Handle SG Grip	2 ea
229-27-045	4 lb Sledge 14" Classic Handle SG Grip	2 ea
229-27-075	8 lb Sledge 36" Classic Handle SG Grip	2 ea
229-27-091	8 lb Sledge 32" Classic Handle SG Grip	2 ea
229-27-201	20 lb Sledge 36" Classic Handle SG Grip	2 ea

Classic Sledge Hammer CS Grip



- Circular Stripe Grip
- Industrial grade heads
- Super-duty handle made tough from fiberglass strands encased in proprietary resin

Item #	Description	Std Pkg
229-27-030	3 lb Sledge 14" Classic Handle CS Grip	2 ea
229-27-043	4 lb Sledge 15" Classic Handle CS Grip	2 ea
229-27-066	6 lb Sledge 15" Classic Handle CS Grip	2 ea
229-27-068	6 lb Sledge 18" Classic Handle CS Grip	2 ea
229-27-069	6 lb Sledge 24" Classic Handle CS Grip	2 ea
229-27-085	8 lb Sledge 15" Classic Handle CS Grip	2 ea
229-27-089	8 lb Sledge 36" Classic Handle CS Grip	2 ea
229-27-100	10 lb Sledge 32" Classic Handle CS Grip	2 ea

Ergo Sledge Hammer CS Grip



- Circular Stripe Grip
- Ergo-Power Handle
- Industrial grade heads

Item #	Description	Std Pkg
229-27-620	2 lb Sledge 14" Ergo Handle CS Grip	2 ea
229-27-630	3 lb Sledge 14" Ergo Handle CS Grip	2 ea
229-27-706	6 lb Sledge 32" Ergo Handle CS Grip	2 ea
229-27-712	12 lb Sledge 32" Ergo Handle	2 ea
229-27-722	20 lb Sledge 32" Ergo Handle	2 ea



Ergo Sledge Hammer SG Grip



- Super Grip
- Ergo-Power Handle
- Industrial grade heads

Item #	Description	Std Pkg
229-27-808	8 lb Sledge Hammer 32" Handle w/SG Grip	2 ea
229-27-810	8 lb Sledge Hammer 34" Handle w/SG Grip	2 ea
229-27-812	12 lb Sledge 32" Handle w/SG Grip	2 ea

Ergo Slugging Hammer SG Grip



- Drop forged, heat treated and tempered carbon steel heads
- Dual machined striking faces and chamfers

Item #	Description	Std Pkg
229-27-092	10 lb Slugging Hammer 16" Handle w/SG Grip	2 ea
229-27-804	8 lb Slugging Hammer 16" Handle w/SG Grip	2 ea
229-27-805	6 lb Slugging Hammer 16" Handle w/SG Grip	2 ea

Classic Drilling Hammer SG Grip



- Drop forged, heat treated and tempered carbon steel heads
- Black crown and polished striking faces

Item #	Description	Std Pkg
229-28-025	2 lb Drilling Hammer 10" Classic Handle w/SG Grip	2 ea
229-28-035	3 lb Drilling Hammer 10" Classic Handle w/SG Grip	2 ea
229-28-045	4 lb Drilling Hammer 10" Classic Handle w/SG Grip	2 ea

Classic Brass Sledge Hammer SG Grip



- High quality cast brass heads with polished striking faces

Item #	Description	Std Pkg
229-30-025	2.5 lb Brass Classic 12" Sledge Hammer w/SG Grip	2 ea
229-30-040	4 lb Brass Classic 12" Sledge Hammer w/SG Grip	2 ea

Ergo Brass Sledge Hammer SG Grip



- High quality cast brass heads with polished striking faces

Item #	Description	Std Pkg
229-30-525	2.5 lb Brass Sledge 12" Hammer w/SG Grip	2 ea
229-30-540	4 lb Brass Sledge 12" Hammer w/SG Grip	2 ea

Rubber Mallet H Grip



- Solid rubber heads
- Deliver the same force as dead blow power drive hammers

Item #	Description	Std Pkg
229-13-110	1 lb Rubber Mallet H Grip	5 ea
229-13-120	2 lb Rubber Mallet H Grip	5 ea

Classic Round Shovel



- Core is constructed with thousands of fiberglass strands
- Super strong, all-weather, chemical and insect-resistant

Item #	Description	Std Pkg
229-69-048	Round Point Shovel 48" Handle #2 Hollow Back	6 ea

Classic Square Shovel



- Industrial Grade Steel Blade
- 16 gauge, Hollow Back blade
- Super-duty handle made tough from fiberglass strands encased in a proprietary resin

Item #	Description	Std Pkg
229-69-148	Square Point Shovel 48" Handle #2 Hollow Back	6 ea

Classic D-Handle Round Shovel



- Industrial Grade Steel Blade
- 16 gauge, Hollow Back blade
- Super-duty handle made tough from fiberglass strands encased in a proprietary resin

Item #	Description	Std Pkg
229-69-027	27" D-Handle Round Point Shovel #2 Hollow Back	3 ea



Classic D-Handle Sharp Shooter



- Industrial Grade Steel Blade
- 16 gauge, Hollow Back blade
- Super-duty handle made tough from fiberglass strands encased in a proprietary resin

Item #	Description	Std Pkg
229-69-274	14" Sharp Shooter 27" D-Handle	3 ea

Non-Conductive Drain Spade Shovel



- Safety Orange handles
- Power Pylon shovel blades
- Certified Non-Conductive properties
- Nuplaglas composite handles resist heat and cold, and provide insulation from electric shock

Item #	Description	Std Pkg
229-76-233	Pylon Drain Spade Shovel Non-Conductive	3 ea

Non-Conductive Round Point Shovel



- Safety Orange handles
- Power Pylon shovel blades
- Certified Non-Conductive properties
- Nuplaglas composite handles resist heat and cold, and provide insulation from electric shock

Item #	Description	Std Pkg
229-76-245	Pylon Round Point Shovel Non-Conductive	3 ea

Classic HD Soil Probe



- Heavy Duty Metal Tip

Item #	Description	Std Pkg
229-69-405	48" Soil Probe Super HD Classic Shaft Metal Tip	6 ea
229-69-407	60" Soil Probe Super HD Classic Shaft Metal Tip	6 ea

Classic Post Hole Digger



- Blade: 14 gauge, Closed Back style
- Heavy Duty Blades
- Classic Nuplaglas 48" long handle

Item #	Description	Std Pkg
229-69-548	Classic 48" Post Hole Digger Super Heavy Blades	1 ea



Hard Cap Knee Pad



- Abrasion resistant
- EVA foam padding
- PE plastic hard cap
- Hook & loop closure
- Durable polyester and tricot fabrics

Item #	Description	Std Pkg
210-125	Hard Cap Contoured Knee Pad	20 pr

Snap-On Sweatband



- Terry sweatband
- Easily attaches to hard hat suspension with snaps

Item #	Description	Std Pkg
210-870B100	Navy Snap-on Sweat Band for Hard Hat	100 ea
210-870B20	Navy Snap On Sweat Band for Hard Hat	20 ea

Absorbent Cellulose Sweatband



- Elastic head strap
- Comes in 25 or 100 packs
- Dip in cold water, squeeze out & wear

Item #	Description	Std Pkg
210-SBR100	Traditional Cellulose Sweat Bands	100 ea
210-SBR25	Traditional Cellulose Sweat Bands	25 ea

Hard Hat Shade



- Cotton material
- Fits most hard hats
- Doesn't fit full brims
- Shades back of neck

Item #	Description	Std Pkg
210-898-028	Royal Blue Hard Hat Shade	144 ea
210-898-ORANGE	Orange Hard Hat Shade	144 ea
210-898-WHITE	White Hard Hat Shade	144 ea
210-898-YELLOW	Yellow Hard Hat Shade	144 ea

Stow-Away Hard Hat Shade



- Cotton material
- Spring around rim
- Shades back of neck
- Fits most hard hats & full brim
- Folds into a self attached pouch

Item #	Description	Std Pkg
210-899-HVYEL	Yellow Stow Away Hard Hat Shade for Full Brim	100 ea
210-899-KHAKI	Khaki Stow Away Hard Hat Shade for Full Brim	100 ea
210-899-WHITE	White Stow Away Hard Hat Shade for Full Brim	100 ea



Hard Hat Shade w/ Neck Shield



- 100% cotton
- Shades back of neck
- Wear with or without under hat
- Forehead band has soft terrycloth sweatband

Item #	Description	Std Pkg
210-971	Hi-Viz Yellow Hard Hat Sweatband w/Neck Shade	400 ea
210-971-KHK	Khaki Neck Shield for Hardhat	400 ea

Hi-Viz Mesh Hard Hat Shade



- One size fits most
- Provides airflow, shade & visibility
- Long fabric can be tucked into collar
- Fits regular and full brim hats or caps

Item #	Description	Std Pkg
210-OK-5057009	Hard Hat Shade Hi-Viz Lime Mesh	48 ea

Miracool FR Hard Hat Pad w/Shade



- Fastens with Hook & Loop
- Includes attached hard hat pad
- Added neck shade facilitates evaporation
- 6 oz. Grey Flame Resistant treated cotton
- 50 washes
- Logo'd with OCC skull logo

Item #	Description	Std Pkg
210-969-FR	Miracool Flame Resistant Gray Hard Hat Pad	10 ea

MiraCool Cooling Neck Wrap



- Machine washable
- Helps reduce heat stress
- 31.5" x 4" blue neck wrap
- Exceptional cooling power
- Lightweight, reusable, rechargeable

Item #	Description	Std Pkg
210-930-BL	MiraCool Cooling Neck Wrap	200 ea

MiraCool Cooling Towel



- Machine washable
- Instant cool relief
- Reusable / rechargeable
- 29.5" x 14" blue towel (singles)
- Lightweight holds water w/o weighing you down

Item #	Description	Std Pkg
210-931-BL	Miracool 30" x 14 Blue Cooling Towel	100 ea
210-931-OR	Miracool 30" x 14" Orange Cooling Towel	100 ea

Wicking & Cooling Towel - Navy



- 36" L x 8" W
- UPF 50+
- Activates instantly when wet

Item #	Description	Std Pkg
210-TD400-018	8"x36" Navy Cooltowel Coolcore Technology	48 ea

Wicking & Cooling Towel - Hi-Viz



- 36" L x 8" W
- UPF 50+
- Activates instantly when wet

Item #	Description	Std Pkg
210-TD400-HVY	8" x 36" Hi-Viz Cool Towel Coolcore Tech	48 ea

Wicking & Cooling Bandana - Navy



- 22.5" L x 22.5 W"
- UPF 50+
- Activates instantly when wet

Item #	Description	Std Pkg
210-TD300-018	22.5" x 22.5" Navy Cooling Bandana Coolcore	360 ea

Wicking & Cooling Bandana - Hi-Viz



- 22.5" L x 22.5 W"
- UPF 50+
- Activates instantly when wet

Item #	Description	Std Pkg
210-TD300-HVY	22.5" x 22.5" Hi-Viz Cooling Bandana Coolcore	360 ea

MiraCool Neck Bandana - Navy



- Several colors or styles to choose from
- Available in FR
- 100% cotton

Item #	Description	Std Pkg
210-940-01	Miracool Navy Neck Bandana	504 ea

MiraCool Neck Bandana - Denim



- Several colors or styles to choose from
- Available in FR
- 100% cotton

Item #	Description	Std Pkg
210-940-BDN	Miracool Blue Denim Neck Bandana	504 ea



MiraCool Neck Bandana - Cowboy Blue



- Several colors or styles to choose from
- Available in FR
- 100% cotton

Item #	Description	Std Pkg
210-940-CBL	Miracool Cowboy Blue Neck Bandana	504 ea

MiraCool Neck Bandana - Cowboy Red



- Several colors or styles to choose from
- Available in FR
- 100% cotton

Item #	Description	Std Pkg
210-940-CRD	Miracool Cowboy Red Neck Bandana	504 ea

MiraCool Neck Bandana - Desert Camo



- Several colors or styles to choose from
- Available in FR
- 100% cotton

Item #	Description	Std Pkg
210-940-DFL	Miracool Desert Camo Neck Bandana	504 ea

MiraCool Neck Bandana - Flag



- Several colors or styles to choose from
- Available in FR
- 100% cotton

Item #	Description	Std Pkg
210-940-WAVY	Miracool American Wavy Flag Neck Bandana	540 ea

MiraCool FR Neck Bandana



- FR up to 50 washes
- 6oz 100% cotton grey
- Flame resistant (FR) bandana

Item #	Description	Std Pkg
210-940-FR	Miracool Flame Resistant Gray Neck Bandana	540 ea

MiraCool Hard Hat Cooling Pad



- Available in FR
- Hook & loop closure
- Lightweight not bulky
- For added neck shade

Item #	Description	Std Pkg
210-969	Miracool Navy Hard Hat Pad w/Neck Shade	350 ea

Classic Mid-Length Fleece - Blue



- 1 layer / navy-blue
- No insulation barrier
- Mesh mouth/nose guard
- 100% polyester super heavy-weight fleece

Item #	Description	Std Pkg
210-LF648	Winterliner Fleece Blue 1 Layer Mid-length	6 ea

Classic Mid-Length Fleece - Camo



- 1 layer / camo
- No insulation barrier
- Mesh mouth/nose guard
- 100% polyester super heavy-weight fleece

Item #	Description	Std Pkg
210-LF649	Winterliner Camo Fleece Mid-length 1 Layer	6 ea

Zero Hood 2 Pc Zipper Type



- Warming pockets
- 100% cotton twill top
- 100% polyester bottom
- Bottom section detachable
- Double button neck closure
- Button & zipper are plastic-no metal

Item #	Description	Std Pkg
210-LZ620	Winterliner Zero Hood Zipper Type 2 Piece	6 ea

Zero Hood FR 2 Pc Zipper Type



- Warming pockets
- Insulated ear barrier
- 100% FR cotton twill
- Nomex thread & zipper top
- Double button neck closure
- Fr stays through 50 washes

Item #	Description	Std Pkg
210-LZ620-FR	Winterliner FR Zero Hood Zipper Type 2 Piece	6 ea

Classic Regular Length Twill



- 2 layers
- Fleece lining
- Blue 100% cotton twill outer shell

Item #	Description	Std Pkg
210-RB405	Winterliner Blue Twill Lined 2 Layer	6 ea

Value Regular Length Twill



- 1 layer
- No insulation
- Gold 100% cotton twill
- FR treatment until washed

Item #	Description	Std Pkg
210-RG200	Winterliner Gold Cotton Twill	6 ea



FR Hard Hat Tube Liner



- Nomex® thread
- 9.5 oz. Modacrylic soft rib knit
- Fits over most regular full brim hats
- Flame resistant for the life of the garment
- Fits snugly over most regular brim hard hats

Item #	Description	Std Pkg
210-RK900FR	FR Hard Hat Navy Tube Liner	6 ea

Premium Shoulder-Length Insulated



- 3 layers
- Fleece lining
- 3m thinsulate interior center layer
- Navy 100% cotton fr until washed

Item #	Description	Std Pkg
210-SN530	Winterliner Sholder Length Premium	6 ea

Classic FR Shoulder-Length HRC 2



- Warming pockets
- 100% FR cotton twill
- Cotton jersey lining
- Insulated ear barrier
- Hook & loop closure
- FR for up to 50 washes

Item #	Description	Std Pkg
210-SP590	FR Winterliner Shoulder Length Premium	6 ea

Classic Shoulder-Length Sherpa



- Sherpa lining
- Warming pockets
- 100% cotton twill
- Insulated ear barrier
- Hook & loop closure
- Superior wind resistant

Item #	Description	Std Pkg
210-SS550	Winterliner Sherpa Lined Zero Hood	6 ea

Premium FR Shoulder-Length HRC 3



- Shoulder length
- Warming pockets
- Insulated ear barrier
- Hook & loop closure
- 100% FR cotton twill
- FR through 50 washes

Item #	Description	Std Pkg
210-SS550-FR	FR Winterliner Sherpa Shoulder Length	6 ea

Premium Shoulder-Length Twill



- Fleece lining
- Navy color / 3 layers
- 100% cotton twill top
- 100% polyethylene center layer

Item #	Description	Std Pkg
210-ST540	Winterliner FR Ninja Hood	6 ea

3-In-1 Fleece Balaclava



- Adjustable design
- Draw string for snug fit
- 100% polyester plush fleece

Item #	Description	Std Pkg
210-1070	Winterliner 3-in-1 Fleece Navy	6 ea
210-1070-CAMO	Winterliner 3-in-1 Camo Fleece	6 ea

Premium Surveyor Vest



- Four pockets
- ANSI class 2
- Zipper closure
- 100% polyester tricoat
- 2" 3m scotchlite reflective strap

Item #	Description	Std Pkg
210-LUX-SSFS-Y2X	Yellow Premium Dual Stripe Surveyors Vest - 2 XL	1 ea
210-LUX-SSFS-YXL	Yellow Premium Dual Stripe Surveyors Vest - XL	1 ea

Hot Rods Hand Warmers



- Disposable
- 5 per pack
- Last for 8 hours
- Warms up in 2 minutes
- Open package to activate

Item #	Description	Std Pkg
210-1100-10R	5 pk Hand Warmers	1 cs

Hot Rods Hand Warmers Display



- Disposable
- Last up to 8 hours
- 40 packs per display
- Open package to activate
- Warms up within 2 minutes

Item #	Description	Std Pkg
210-1100-80D	HotRods Hand Warmer Counter Display Box	1 cs

Hot Rods Toe Warmers Display



- Disposable
- Last up to 5 hours
- Warms in minutes
- 40 packs per display
- No shaking necessary
- Open package to activate

Item #	Description	Std Pkg
210-1106-40D	HotRods Toe Warmer Counter Display	1 cs



OILPATCH PRODUCTS	PAGE	OILPATCH PRODUCTS	PAGE
Air Horn	264	Plastic Sheeting	263
Air Hose	264	Plastic Spray Bottle	259
Babbit Metal	264	Plastic Jug & Bottle	258-259
Barricade Fence	265	Orange Barricade Fence	265
Bird Net Kits	264	Pipe Chocks	261
Booster Cables	262	Plumb Bob	261
Brooms & Mops	258	Ratchet Straps	261
Cable Ties	257	Rig Wash	263
Canvas Tarps	262	Safety Apron	266
Caution Barricade Tape	264	Safety Pins	264
Cargo Tie-Downs	261	Sashcord	261
Chip Brushes	256	Sorbents	265-266
Coco Mats	264	Steel & Plastic Pails	259-260
Copper Tubing	262	String Knit Gloves	266
Creame Beads/Rig Wash	263	Tea Strainers	264
Danger Barricade Tape	265	Tarps (Canvas)	262
Doghouse Stove	264	Tarps (Poly)	263
Dougstick - 5'	264	Tarp Straps	261
Exhaust Caps/Rain Caps	262	Teflon Tape - USA	256
Files	258	Thread Compound	256
Fuse Assortment	256-257	Tie Wire	257
Grounding Cables & Clamps	262	Underground Detectable Tape	265
Manila Rope	260-261	Wind Socks & Frames	266
Pipe Dope	256	Wiping Rags	259

OILPATCH PRODUCTS

OilPatch No. 5 Thread Compound



- Odor free
- All purpose
- Yellow soft-set
- Produces leak proof seal
- Non-seizing, non-separating

Item #	Description	Std Pkg
219-OILPATCH-55	No. 5 Soft Set Pint Thread Compound	12 ea
219-OILPATCH-55-QT	No. 5 Soft Set Quart Thread Compound	12 ea

OilPatch True Blue Thread Compound



- Grit free paste
- Non combustible
- Adheres to oily threads
- All purpose, non-seizing
- Nontoxic, non-separating

Item #	Description	Std Pkg
219-OILPATCH-BLUE	True Blue Pint Thread Compound	12 ea

OilPatch Thread Compound - Copper



Item #	Description	Std Pkg
219-OILPATCHCOPPER	Pint Copper Thread Compound	12 ea

OilPatch Thread Seal Tape - White



- Produced in the USA
- 100% pure virgin PTFE
- Temp. range of -450°F to 550°F
- Medium density: complies with mil-T-277308

Item #	Description	Std Pkg
042-1/2X1296-USA	Thread Seal Tape PTFE 1/2X1296 USA	144 ea
042-1/2X260-USA	Thread Seal Tape PTFE 1/2X260 USA	144 ea
042-1/2X520-USA	Thread Seal Tape PTFE 1/2X520 USA	144 ea
042-1/4X1296-USA	Thread Seal Tape PTFE 1/4X1296 USA	144 ea
042-1/4X260-USA	Thread Seal Tape PTFE 1/4X260 USA	144 ea
042-1/4X520-USA	Thread Seal Tape PTFE 1/4X520 USA	144 ea
042-1X1296-USA	Thread Seal Tape PTFE 1X1296 USA	144 ea
042-1X260-USA	Thread Seal Tape PTFE 1X260 USA	144 ea
042-1X520-USA	Thread Seal Tape PTFE 1X520 USA	144 ea
042-2X520-USA	Thread Seal Tape PTFE 2X520 USA	144 ea
042-3/4X1296-USA	Thread Seal Tape PTFE 3/4X1296 USA	144 ea
042-3/4X260-USA	Thread Seal Tape PTFE 3/4" X260 USA	144 ea
042-3/4X520-USA	Thread Seal Tape PTFE 3/4X520 USA	144 ea

OilPatch Thread Seal Tape - Yellow



- Made in the USA
- Rated from -450° to 550°F
- Non-toxic and non-flammable
- Mil-T-27730A, A-A 58092, and FDR 21CFR 177.1550

Item #	Description	Std Pkg
042-1/2X1296-YELLOW	1/2" x 1296 Thread Seal Tape Yellow	144 ea
042-1/2X260-YELLOW	1/2" x 260' Thread Seal Tape Yellow	144 ea
042-1/2X520-YELLOW	1/2" x 520' Thread Seal Tape Yellow	144 ea
042-1X1296-YELLOW	1" x 1296' Thread Seal Tape Yellow	144 ea
042-1X520-YELLOW	1" x 520' Thread Seal Tape Yellow	144 ea
042-3/4X1296-YELLOW	3/4" x 1296' Thread Seal Tape Yellow	144 ea
042-3/4X520-YELLOW	3/4" x 520' Thread Seal Tape Yellow	144 ea

OilPatch Thread Seal Tape - Stainless



- Made in the USA
- Rated from -450° to 550°F
- Non-toxic and non-flammable
- Contains up to 15% nickel flake
- Anti-galling for stainless steel and coarse thread

Item #	Description	Std Pkg
042-SS-1/2X1296	Thread Seal Tape Stainless 1/2x1296 USA	144 ea
042-SS-1/2X260	Thread Seal Tape Stainless 1/2x260 USA	144 ea
042-SS-1/2X520USA	Thread Seal Tape Stainless 1/2x520USA	144 ea
042-SS-1X1296	Thread Seal Tape Stainless 1x1296 USA	144 ea
042-SS-1X260	Thread Seal Tape Stainless 1x260 USA	144 ea
042-SS-1X520	Thread Seal Tape Stainless 1x520 USA	144 ea

OilPatch 100% Natural White Bristle



- Plainwood, contoured handle

Item #	Description	Std Pkg
023-1601-4	4" Chip Brush Thick 100% Natural White Bristle	12 ea
023-1602-1	1" Chip Brush 100 % Natural White Bristle	36 ea
023-1602-1/2	1/2" Chip Brush 100 % Natural White Bristle	36 ea
023-1602-1-1/2	1-1/2" Chip Brush 100 % Natural White Bristle	24 ea
023-1602-2	2" Chip Brush 100 % Natural White Bristle	24 ea
023-1602-2-1/2	2-1/2" Chip Brush 100 % Natural White Bristle	12 ea
023-1602-3	3" Chip Brush 100 % Natural White Bristle	12 ea
023-1602-4	4" Chip Brush Thick 100% Natural White Bristle	12 ea

OilPatch 360 pc Terminal Kit



- 18 different sizes & gauges
- Transparent box for easy identification

Item #	Description	Std Pkg
168-TK360	360 pc Terminal Assortment Vinyl Box	12 ea

OILPATCH PRODUCTS

OilPatch 430 pc Terminal Kit



- With pliers
- Steel case
- 430 insulated terminals

Item #	Description	Std Pkg
168-TK430	430 pc Insulated Terminal Kit w/Plier	12 ea

OilPatch Fuse Assortment Kit



- 40 pieces assorted
- Standard blade style

Item #	Description	Std Pkg
168-ATCF40	Blade Style Fuse Assortment Kit	6 ea

OilPatch Miniature Black Cable Ties



- Non-toxic
- 18lb tensile strength
- .10" width x .04" thick

Item #	Description	Std Pkg
088-B4M0C	4" Miniature Black Cable Ties 18 lb (100/pkg)	1 pkg
088-B6M0C	6" Miniature Black Cable Ties 18 lb (100/pkg)	1 pkg

OilPatch Standard Black Cable Ties



- Non-toxic
- 50lb tensile strength
- .19 wide x .05 thick

Item #	Description	Std Pkg
088-B11S0C	11" Standard Black Cable Ties 50 lb (100/pkg)	1 pkg
088-B14S0C	14" Standard Black Cable Ties 50 lb (100/pkg)	1 pkg
088-B7S0C	7" Standard Black Cable Ties 50 lb (100/pkg)	1 pkg

OilPatch Heavy Duty Black Cable Ties



- Non-toxic
- 120lb tensile strength
- .30 wide x .08 thick

Item #	Description	Std Pkg
088-B14LOC	14" Hvy Duty Black Cable Ties 120 lb	1 pkg
088-B18LOC	18" Hvy Duty Black Cable Ties 120 lb	1 pkg
088-B8LOC	8" Hvy Duty Black Cable Ties 120 lb	1 pkg

OilPatch Extra Heavy Duty Black Cable Ties



- Non-toxic
- 175lb tensile strength
- .34" wide x .090 thick

Item #	Description	Std Pkg
088-B24HOL	24" Xtra Hvy Duty Black Cable Ties 175 lb	1 pkg
088-B36HOL	36" Xtra Hvy Duty Black Cable Ties 175 lb	1 pkg
088-B48HOL	48" Xtra Hvy Duty Black Cable Ties 175 lb	1 pkg

OilPatch Miniature Natural Cable Ties



- Non-toxic
- 18lb tensile strength
- .10" width x .04" thick

Item #	Description	Std Pkg
088-B4M9C	4" Miniature Natural Cable Ties 18 lb (100/pkg)	1 pkg

OilPatch Standard Natural Cable Ties



- Non-toxic
- 50lb tensile strength
- .19 wide x .05 thick

Item #	Description	Std Pkg
088-B11S9C	11" Standard Natural Cable Ties 50 lb (100/pkg)	1 pkg
088-B14S9C	14" Standard Natural Cable Ties 50 lb (100/pkg)	1 pkg
088-B7S9C	7" Standard Natural Cable Ties 50 lb (100/pkg)	1 pkg

OilPatch Intermediate Natural Cable Ties



- Non-toxic
- 40lb tensile strength
- .140 wide x .049 thick

Item #	Description	Std Pkg
088-B819C	8" Intermediate Natural Cable Ties 40 lb (100/pkg)	1 pkg

OilPatch Heavy Duty Natural Cable Ties



- Non-toxic
- 120lb tensile strength
- .30 wide x .08 thick
- 100/pkg

Item #	Description	Std Pkg
088-B14L9C	14" HD Natural Cable Ties 120 lb (100/pkg)	1 pkg
088-B18L9C	18" HD Natural Cable Ties 120 lb (100/pkg)	1 pkg
088-B8L9C	8" HD Natural Cable Ties 120 lb (100/pkg)	1 pkg

OilPatch Extra Heavy Duty Natural Cable Ties



- Non-toxic
- 175lb tensile strength
- .34" wide x .090 thick
- 50/pkg

Item #	Description	Std Pkg
088-B24H9L	24" HD Natural Cable Ties 175 lb (50/pkg)	1 pkg
088-B36H9L	36" HD Natural Cable Ties 175 lb (50/pkg)	1 pkg

OilPatch 16 Gauge Tie Wire



- 16 gauge
- 20 rolls per box
- Black annealed carbon steel

Item #	Description	Std Pkg
110-16TIEWIRE	3-1/2 lb 16 gauge	20 rolls

OILPATCH PRODUCTS

OilPatch 14" Pipeliner File



- Rounded on one side, flat on the other
- Used on concave, convex and flat surfaces
- Single cut

Item #	Description	Std Pkg
267-BPPL14	14" Pipeliner File	6 ea

OilPatch 9 pc Maintenance File Set



- File set for general sharpening and maintenance
- Size's 6" to 10"

Item #	Description	Std Pkg
267-BFS910	9pc Maintenance File Set	1 ea

OilPatch Spring & Lever Mop Handle



- Easy changing
- Quick-way handle
- Use with all saddle mops

Item #	Description	Std Pkg
007-4900	#9 1-1/8" x 54" Spring & Lever Mop Handle	6 ea

OilPatch Wingnut Mop Handle



- Easy changing
- Quick-way handle
- Use with all saddle mops

Item #	Description	Std Pkg
007-4905	#10 1-1/8" x 54" Wingnut Mop Handle	6 ea

#10 Mop Handle



- Mop handle with wing nut
- 1-1/8" x 54"

Item #	Description	Std Pkg
055-91	#10 Mop Handle 1-1/8" x 54" Wing Nut	6 ea
055-92	#10 Mop Handle 15/16" x 48" Wing Nut	6 ea

OilPatch Saddle mop



- 1-1/4" cotton band
- Use with wing nut style or quick-way

Item #	Description	Std Pkg
007-5520	20 oz Cotton Saddle Mop Head	12 ea
007-5524	24 oz Cotton Saddle Mop Head	12 ea
007-5532	32 oz Cotton Saddle Mop Head	6 ea

OilPatch Deckmop



- 8 oz cotton ply
- Sturdy wood handle

Item #	Description	Std Pkg
007-9524	24 oz 8 Ply Cotton Deck Mop w/54" Handle	6 ea
007-9532	32 oz 8 Ply Cotton Deck Mop w/54" Handle	6 ea

OilPatch Warehouse Broom



- Corn / grass mix
- For use on smooth or rough surfaces
- For moderate to heavy dirt accumulation

Item #	Description	Std Pkg
007-W36	36 lb 50/50 Corn/Grass Warehouse Broom	12 ea

OilPatch Whisk Broom



- Corn / grass mix
- Doubled stitched & wire wrapped
- Great for small or spot cleaning jobs

Item #	Description	Std Pkg
007-WB-10	5-7" Whisk Broom Made of Corn/Grass Mix	36 ea

OilPatch Plastic Jug



- Screw top cap
- Foam lined cap
- HPDE plastic jug
- 1 gallon capacity

Item #	Description	Std Pkg
162-3003B07WHT	1 gal Industrial Round Natural/White Plastic Jug	Bulk

OILPATCH PRODUCTS

OilPatch Plastic Spray Bottle



- 32 oz
- Natural color
- HDPE plastic bottle
- Great for many uses
- Red and white trigger sprayer

Item #	Description	Std Pkg
162-3210B32	32 oz Spray Bottle w/Red Trigger	Bulk

OilPatch Wide Mouth Packer Bottle



- Wide mouth
- Natural color
- HDPE plastic
- Screw top cap

Item #	Description	Std Pkg
162-36009	8 oz Wide Mouth Packer Bottle	Bulk
162-36016	16 oz Wide Mouth Packer Bottle	Bulk
162-36032	32 oz Wide Mouth Packer Bottle	Bulk

OilPatch Plastic Caps



- Lining: Foam
- Cap style: Screw top

Item #	Description	Std Pkg
162-X38-400BLK-WB	Black Plastic Cap Size 38/400	Bulk

OilPatch Color Turkish Towels



- Oil industry wiping rag
- All cotton and cotton-blended
- 10 lb and 25 lb box, 10 lb bag
- Cut Turkish towels, terry towels, bathrobes and hemmed towels

Item #	Description	Std Pkg
188-TURK-10	10 lb Color Turkish Towels	1 box
188-TURK-10-BAG	10 lb Color Turkish Towels	1 bag
188-TURK-25	20 lb Color Turkish Towels	1 box

OilPatch Color Knit Rags



- Light weight wiper
- 10 lb and 25 lb box
- Good soft polishing cloth
- Cut T-shirts and polo shirts
- All cotton and cotton-blended knit

Item #	Description	Std Pkg
188-CKNIT-10	10 lb Color Knit Rags	1 box
188-CKNIT-25	25 lb Color Knit Rags	1 box

OilPatch White Knit Rags



- 10 lb and 25 lb box
- Cut white t-shirts and polo shirts
- All cotton and cotton-blended knit

Item #	Description	Std Pkg
188-WKNIT-10	10 lb White Knit Rags	1 box
188-WKNIT-25	25 lb White Knit Rags	1 box

OilPatch White Bar Mop Rags



- 10 lb box
- All cotton hemmed bar towel

Item #	Description	Std Pkg
188-BARMOP-10#	10 lb White Bar Mop Rags	1 box

OilPatch Blue Huck Rags



- 10 lb box
- Outstanding wiper
- Cotton hemmed surgical towel

Item #	Description	Std Pkg
188-BLUEHUCK-10	10 lb Blue Huck Rags	1 box

OilPatch Gray Sweatshirt Material



- 50 lb box
- Absorbs very well
- Cut gray sweatshirt material

Item #	Description	Std Pkg
188-GRAY-SS-50	50 lb Gray Sweatshirt Material	1 box

OilPatch Steel Pails



- 2 gal or 5 gal
- 28 gauge steel
- Lid sold separately
- Black with metal handle

Item #	Description	Std Pkg
162-1151	2 gal Steel Pail ONLY (280/pallet)	1 ea
162-1252	5 gal Steel Pail ONLY (120/pallet)	10 ea

OilPatch Steel Lids



- Material: Steel
- Cap style: Lug

Item #	Description	Std Pkg
162-1151-LID	2 gal Steel Lid ONLY	Bulk
162-1252-LID	5 gal Steel Lid ONLY	Bulk

OILPATCH PRODUCTS

OilPatch Plastic Pails



- Color: White
- Height: 14.5"
- Capacity: 5 gal
- Material: HDPE
- Thickness: 90 mil
- Lid sold separately

Item #	Description	Std Pkg
162-1141T01	5 gal Plastic Pail ONLY (240/pallet)	Bulk

OilPatch Plastic Lid



- Rieke spout
- Color: White
- Diameter: 12.4"

Item #	Description	Std Pkg
162-5552	5 gal Plain Plastic Lid	Bulk

OilPatch Plastic Rieke Lid



- Rieke spout
- Color: White
- Diameter: 12.4"

Item #	Description	Std Pkg
162-5RS-LID	5 gal Plastic Lid - Rieke Spout	Bulk

OilPatch No. 1 Manila Rope

No. 1 US. Manufactured for the US oil drilling market in conformity with the tensile strength requisites of U.S. Federal Specification TR-605B, Type M, Class 1, Amendment 3. This rope has a Becker value of 36 minimum. Tested under supervision of Lloyd's Register of Shipping; meets Federal Specification TR-605B, Type M, Class 1, Amendment 3. Certificate issued on all shipments before shipped from the Philippines. OilPatch Manila Rope is available in either 3-strand or 4-strand. Based on Federal Spec. TR-605B Amendment 3. Manila Rope 4-strand is 7% heavier and breaking test is 5% less than it is for 3-strand. OilPatch Manila rope has a recommended working load of 20% of breaking test.

These natural ropes are manufactured from selected high and medium grade fibers. They suit the demands of the oil industry, shipping, construction, agriculture, and in the manufacture of bio-plastics. Class 1 Manila is a high grade general purpose rope best suited for jobs where economy, strength, and durability are necessary. It has great resistance from mildew and agricultural deterioration. Manila rope is the strongest natural fiber rope in the world.

OilPatch No. 1 Manila Soft Rope



Item #	Description	Std Pkg
005-21/4MLA-SFT	2-1/4"x6' Soft Manila Rope - 9 Strand	1 ea

OilPatch No. 1 Manila Rope-3S



Item #	Description	Std Pkg
005-1-1/2X300-3S	1-1/4" x 300' No. 1 Manila Rope - 3 Strand	1 ea
005-1-1/4X100-3S	1-1/4" x 100' No. 1 Manila Rope - 3 Strand	1 ea
005-1-1/4X125-3S	1-1/4" x 125' No. 1 Manila Rope - 3 Strand	1 ea
005-1-1/4X600-3S	1-1/4" x 600' No. 1 Manila Rope - 3 Strand	1 ea
005-1-1/8X100-3S	1-1/8" x 100' No. 1 Manila Rope - 3 Strand	1 ea
005-1-1/8X125-3S	1-1/8" x 125' No. 1 Manila Rope - 3 Strand	1 ea
005-1-1/8X600-3S	1-1/8" x 600' No. 1 Manila Rope - 3 Strand	1 ea
005-1X100-3S	1" x 100' No. 1 Manila Rope - 3 Strand	1 ea
005-1X125-3S	1" x 125' No. 1 Manila Rope - 3 Strand	1 ea
005-1X150-3S	1" x 150' No. 1 Manila Rope - 3 Strand	1 ea
005-1X300-3S	1" x 300' No. 1 Manila Rope - 3 Strand	1 ea
005-1X600-3S	1" x 600' No. 1 Manila Rope - 3 Strand	1 ea
005-3/4X100-3S	3/4" x 100' No. 1 Manila Rope - 3 Strand	1 ea
005-3/4X125-3S	3/4" x 125' No. 1 Manila Rope - 3 Strand	1 ea
005-3/4X300-3S	3/4" x 300' No. 1 Manila Rope - 3 Strand	1 ea
005-3/4X600-3S	3/4" x 600' No. 1 Manila Rope - 3 Strand	1 ea
005-5/8X600-3S	5/8" x 600' No. 1 Manila Rope - 3 Strand	1 ea

OilPatch No. 1 Manila Rope-4S



Item #	Description	Std Pkg
005-1-1/2X125-4S	1-1/2" x 125' No. 1 Manila Rope - 4 Strand	1 ea
005-1-1/2X150-4S	1-1/2" x 150' No. 1 Manila Rope - 4 Strand	1 ea
005-1-1/4X100-4S	1-1/4" x 100' No. 1 Manila Rope - 4 Strand	1 ea
005-1-1/4X110-4S	1-1/4" x 110' No. 1 Manila Rope - 4 Strand	1 ea
005-1-1/4X125-4S	1-1/4" x 125' No. 1 Manila Rope - 4 Strand	1 ea
005-1-1/4X150-4S	1-1/4" x 150' No. 1 Manila Rope - 4 Strand	1 ea
005-1-1/4X300-4S	1-1/4" x 300' No. 1 Manila Rope - 4 Strand	1 ea
005-1-1/4X600-4S	1-1/4" x 600' No. 1 Manila Rope - 4 Strand	1 ea
005-1-1/4X85-4S	1-1/4" x 85' No. 1 Manila Rope - 4 Strand	1 ea
005-1-1/8X100-4S	1-1/8" x 100' No. 1 Manila Rope - 4 Strand	1 ea
005-1-1/8X125-4S	1-1/8" x 125' No. 1 Manila Rope - 4 Strand	1 ea
005-1-1/8X150-4S	1-1/8" x 150' No. 1 Manila Rope - 4 Strand	1 ea
005-1X100-4S	1" x 100' No. 1 Manila Rope - 4 Strand	1 ea
005-1X125-4S	1" x 125' No. 1 Manila Rope - 4 Strand	1 ea
005-1X600-4S	1" x 600' No. 1 Manila Rope - 4 Strand	1 ea
005-3/4X100-4S	3/4" x 100' No. 1 Manila Rope - 4 Strand	1 ea
005-3/4X125-4S	3/4" x 100' No. 1 Manila Rope - 4 Strand	1 ea

OILPATCH PRODUCTS

OilPatch No. 1 Manila Rope - Boxed



Item #	Description	Std Pkg
005-1/2X1200-3SB	1/2" x 1200' No. 1 Manila Rope - 3 Strand	1 ea
005-1/2X300-3SB	1/2" x 300' No. 1 Manila Rope - 3 Strand	1 ea
005-1/2X600-3SB	1/2" x 600' No. 1 Manila Rope - 3 Strand	1 ea
005-1/4X1200-3SB	1/4" x 1200' No. 1 Manila Rope - 3 Strand	1 ea
005-1/4X600-3SB	1/4" x 600' No. 1 Manila Rope - 3 Strand	1 ea
005-3/8X600-3SB	3/8" x 600' No. 1 Manila Rope - 3 Strand	1 ea
005-5/16X600-3SB	5/16" x 600' No. 1 Manila Rope - 3 Strand	1 ea

OilPatch Pipe Chocks w/ Nails



- Stops pipe from rolling
- Better than wooden blocks

Item #	Description	Std Pkg
167-9999WC	4-1/4" x 2" x 2-1/8" Orange Pipe Chocks	192 ea

OilPatch Rubber Tarp Strap



- HD fleet grade
- Excellent UV properties
- Resist cracking
- 1/2" thick w/tear drop ends
- Made in USA

Item #	Description	Std Pkg
086-RB-10	9" Rubber Tarp Strap 95810	10 ea
086-RB-15	15" Rubber Tarp Strap 95815	10 ea
086-RB-21	21" Rubber Taro Strap 95821	10 ea
086-RB-31	31" Rubber Tarp Strap 95831	10 ea
086-RB-41	41" Rubber Tarp Strap 95841	10 ea

OilPatch Flat Hook Ratchet Straps



- HD industrial grade
- 3,333 lb WLL
- Latex polyester webbing
- UV protection & abrasive resistant
- Meets DOT & WSTDA requirements

Item #	Description	Std Pkg
099-CC2627	2" x 27' Yellow Web Ratchet Strap w/Flat Hooks	9 ea

OilPatch J-Hook Ratchet Straps



- HD industrial grade
- 3,333 lbs WLL
- Latex polyester webbing
- UV protection & abrasive resistant
- Meets DOT & WSTDA requirements

Item #	Description	Std Pkg
099-CC2827	2" x 27' Yellow Web Ratchet Strap w/J-Hooks	9 ea

OilPatch Synthetic Core Sashcord



- Natural color with high glaze wax emulsion finish
- Solid braid sash cord with a synthetic core doubles its strength

Item #	Description	Std Pkg
052-10X100SC	#10-5/16" x 100' Sashcord Synthetic Core	12 ea
052-12X100SC	#12-3/8" x 100' Sashcord Synthetic Core	12 ea
052-16X100SC	#16-1/2" x 100' Sashcord Synthetic Core	12 ea
052-6X100SC	#6-3/16" x 100' Sashcord Synthetic Core	12 ea
052-8X100SC	#8-1/4" x 100' Sashcord Synthetic Core	12 ea

OilPatch 100% Cotton Core Sashcord



- Solid braid 100% cotton core
- 100% spun cotton core

Item #	Description	Std Pkg
052-10X100C	#10-5/6" x 100' Sashcord 100% Cotton Core	12 ea
052-12X100C	#12-3/8" x 100' Sashcord 100% Cotton Core	12 ea
052-8X100C	#8-1/4" x 100' Sashcord 100% Cotton Core	12 ea

OilPatch Solid Braid Nylon Sashcord



- Highest strength and high stretch
- Multi-ply 840 denier type 66 nylon filament
- Excellent abrasion and chemical resistance

Item #	Description	Std Pkg
052-10X100-NYLON	#10-5/16" x 100' Solid Braid Nylon	12 ea
052-12X100-NYLON	#12-3/8" x 100' Solid Braid Nylon	12 ea
052-8X100-NYLON	#8-1/4" x 100' Nylon Sashcord Solid Braid	12 ea

OilPatch 1200ft Synthetic Core Sashcord



- Natural color with high glaze wax emulsion finish
- Solid braid sash cord with a synthetic core doubles its strength

Item #	Description	Std Pkg
052-10X1200SC	#10-5/16" x 1200' Sashcord Synthetic Core	1 ea
052-12X1200SC	#12-3/8" x 1200' Sashcord Synthetic Core	1 ea
052-8X1200SC	#8-1/4" x 1200' Sashcord Synthetic Core	1 ea

OilPatch Brass Plumb Bob



- Vertical leveling tool establishes precise, plumb lines

Item #	Description	Std Pkg
163-590/OILPATCH	20 oz Brass Plumb Bob	12 ea

OILPATCH PRODUCTS

OilPatch 2-Gauge Booster Cables



- 24' in length
- 600 AMP clamp
- Extra heavy duty
- Coated grip handles

Item #	Description	Std Pkg
168-00183	20' 2 Ga 600 Amp Booster Cable	4 ea
168-WTL225	(00161) 24' 2 Ga 600 Amp Booster Cables	2 ea

OilPatch 4-Gauge Booster Cables



- Heavy duty
- 600 AMP parrot jaw clamps

Item #	Description	Std Pkg
168-WTL416	(00337) 16' 4 Ga 600 Amp Booster Cables	4 ea
168-WTL420	(00163) 20' 4 Ga 600 Amp Booster Cables	4 ea

OilPatch Clamp/Lug Grounding Clamp



- 1 clamp & 1 lug
- 600 AMP parrot jaw clamps

Item #	Description	Std Pkg
168-RS-WBC416-50	16' 4 Ga, Clamp/Lug 600 Amp Grounding Clamp	1 ea
168-RS-WBC420-50	20' 4 Ga, Clamp/Lug 600 Amp Grounding Clamp	1 ea

OilPatch Clamp/Clamp Grounding Cable



- 2 clamps
- 600 AMP parrot jaw clamps

Item #	Description	Std Pkg
168-RS-WC416	16' 4 Ga., Clamp/Clamp 600 Amp Grounding Cable	1 ea
168-RS-WC420	20' 4 Ga., Clamp/Clamp 600 Amp Grounding Cable	1 ea

OilPatch Replacement Clamp



- Chrome plated
- Parrot jaw clamp
- Red or black coated grips

Item #	Description	Std Pkg
168-BH700A-10	600 Amp Red Replacement Clamp w/Lugs	10 ea
168-BH700A-50	600 Amp Black Replacement Clamp w/Lugs	10 ea

OilPatch Copper Tubing



- Soft type copper
- 50' dehydrate copper coil
- 1/4", 3/8" and 5/16" O.D. available
- Gas, oil, steam, air or liquid carrying lines

Item #	Description	Std Pkg
227-1450R	1/4" x 50' Copper Tubing	1 ea
227-3850R	3/8" x 50' Copper Tubing	1 ea
227-51650R	5/16" x 50' Copper Tubing	1 ea

OilPatch Exhaust / Rain Caps



- Single-bolt installation
- Precision-balanced vane
- Welded lid & lubricated bushing
- Heavy duty exhaust system protection

Item #	Description	Std Pkg
118-FB0001	1" ID Exhaust / Rain Caps	1 ea
118-FB0004	1-1/4" ID Exhaust / Rain Caps	1 ea
118-FB0008	1-1/2" ID Exhaust / Rain Caps	1 ea
118-FB0013	2" ID Exhaust / Rain Caps	1 ea
118-FB0016	2-1/4" ID Exhaust / Rain Caps	1 ea
118-FB0019	2-1/2" ID Exhaust / Rain Caps	1 ea
118-FB0023	3" ID Exhaust / Rain Caps	1 ea
118-FB0032	3-1/2" ID Exhaust / Rain Caps	1 ea
118-FB0037	4" ID Exhaust / Rain Caps	1 ea
118-FB0043	4-1/2" ID Exhaust / Rain Caps	1 ea
118-FB0046	5" ID Exhaust / Rain Caps	1 ea

OilPatch Canvas Tarp



- Breathable
- Water resistant
- Reinforced corners
- Rustproof grommets
- Double stitched seams

Item #	Description	Std Pkg
114-CA0406	4 x 6 - 10 oz Canvas Tarp Cotton Duck	1 ea
114-CA0608	6 x 8 - 10 oz Canvas Tarp Cotton Duck	1 ea
114-CA0810	8 x 10 - 10 oz Canvas Tarp Cotton Duck	1 ea
114-CA0812	8 x 12 - 10 oz Canvas Tarp Cotton Duck	1 ea
114-CA0814	8 x 14 - 10 oz Canvas Tarp Cotton Duck	1 ea
114-CA1012	10 x 12 - 10 oz Canvas Tarp Cotton Duck	1 ea
114-CA1016	10 x 16 - 10 oz Canvas Tarp Cotton Duck	1 ea
114-CA1020	10 x 20 - 10 oz Canvas Tarp Cotton Duck	1 ea
114-CA1214	12 x 14 - 10 oz Canvas Tarp Cotton Duck	1 ea
114-CA1216	12 x 16 - 10 oz Canvas Tarp Cotton Duck	1 ea
114-CA1218	12 x 18 - 10 oz Canvas Tarp Cotton Duck	1 ea
114-CA1620	16 x 20 - 10 oz Canvas Tarp Cotton Duck	1 ea
114-CA2020	20 x 20 - 10 oz Canvas Tarp Cotton Duck	1 ea
114-CA2030	20 x 30 - 10 oz Canvas Tarp Cotton Duck	1 ea

OILPATCH PRODUCTS

OilPatch Blue Poly Tarp



- Woven & coated polyethylene
- Rust-proof grommets every 3' & at corners
- All 4 edges heat-sealed & reinforced with PE rope

Item #	Description	Std Pkg
086-10X12	10' x 12' Blue Poly Tarp 8 x 8 Weave	15 ea
086-10X16	10' x 16' Blue Poly Tarp 8 x 8 Weave	10 ea
086-10X20	10' x 20' Blue Poly Tarp 8 x 8 Weave	10 ea
086-12X12	12' x 12' Blue Poly Tarp 8 x 8 Weave	14 ea
086-12X16	12' x 16' Blue Poly Tarp 8 x 8 Weave	12 ea
086-12X20	12' x 20' Blue Poly Tarp 8 x 8 Weave	7 ea
086-16X20	16' x 20' Blue Poly Tarp 8 x 8 Weave	5 ea
086-18X24	18' x 24' Blue Poly Tarp 8 x 8 Weave	4 ea
086-20X20	20' x 20' Blue Poly Tarp 8 x 8 Weave	4 ea
086-20X30	20' x 30' Blue Poly Tarp 8 x 8 Weave	3 ea
086-20X40	20' x 40' Blue Poly Tarp 8 x 8 Weave	2 ea
086-30X40	30' x 40' Blue Poly Tarp 8 x 8 Weave	1 ea
086-30X60	30' x 60' Blue Poly Tarp 8 x 8 Weave	1 ea
086-40X40	40' x 40' Blue Poly Tarp 8 x 8 Weave	1 ea
086-40X60	40' x 60' Blue Poly Tarp 8 x 8 Weave	1 ea
086-6X8	6' x 8' Blue Poly Tarp 8 x 8 Weave	30 ea
086-8X10	8' x 10' Blue Poly Tarp 8 x 8 Weave	20 ea

OilPatch Silver Poly Tarp



- Heavy duty 14x14 fabric weave
- Rust-proof grommets every 1.5' & on the corners
- Corners reinforced with solid plastic bars
- Woven & coated UV polyethylene

Item #	Description	Std Pkg
086-10X12-SIL	10' X 12' x 10 mil Silver Poly Tarp	8 ea
086-12X16-SIL	12' x 16' x 10 mil Silver Poly Tarp	5 ea
086-12X20-SIL	12' x 20' x 10 mil Silver Poly Tarp	5 ea
086-16X20-SIL	16' x 20' x 10 mil Silver Poly Tarp	4 ea
086-20X20-SIL	20' x 20' x 10 mil Silver Poly Tarp	3 ea
086-20X30-SIL	20' x 30' x 10 mil Silver Poly Tarp	2 ea
086-30X40-SIL	30' x 40' x 10 mil Silver Poly Tarp	1 ea
086-8X10-SIL	8' x 10' x 10 mil Silver Poly Tarp	15 ea
086-8X12-SIL	8' x 12' x 10 mil Silver Poly Tarp	10 ea
086-8X20-SIL	8' x 20' x 10 mil Silver Poly Tarp	10 ea
086-9X12-SIL	9' x 12' x 10 mil Silver Poly Tarp	10 ea

Black Plastic Sheeting



- Color coded label system to easily identify size and guage

Item #	Description	Std Pkg
059-B0420	20' x 100' x 4 mil Black Plastic Sheeting	1 roll
059-B0610	10' x 100' x 6 mil Black Plastic Sheeting	1 roll
059-B0620	20' x 100' x 6 mil Black Plastic Sheeting	1 roll
059-B0624	24' x 100' x 6 mil Black Plastic Sheeting	1 roll
059-B0632	32' x 100' x 6 mil Black Plastic Sheeting	1 roll
059-B0640	40' x 100' x 6 mil Black Plastic Sheeting	1 roll

Clear Plastic Sheeting



- Color coded label system to easily identify size and guage

Item #	Description	Std Pkg
059-C0420	20' x 100' x 4 mil Clear Plastic Sheeting	1 roll
059-C0610	10' x 100' x 6 mil Clear Plastic Sheeting	1 roll
059-C0612	12' x 100' x 6 mil Clear Plastic Sheeting	1 roll
059-C0616	16' x 100' x 6 mil Clear Plastic Sheeting	1 roll
059-C0620	20' x 100' x 6 mil Clear Plastic Sheeting	1 roll
059-C0624	24' x 100' x 6 mil Clear Plastic Sheeting	1 roll
059-C0640	40' x 100' x 6 mil Clear Plastic Sheeting	1 roll

OilPatch Creame Beads



- Creame beads are biodegradable
- Pink in color, uniform in size, free-flowing and scented
- Beads are packaged in 100lb. net corrugated containers with a poly bag insert

Item #	Description	Std Pkg
027-CREAMEBEADS100#	100 lb Creame Beads - Pink	1 drum
027-CREAMEBEADS50#	50 lb Creame Beads - Pink	1 drum

OilPatch Rig Wash



- Rig wash beads are biodegradable
- White in color, uniform in size, free-flowing and scented
- Rig wash beads are packaged in 50lb. net corrugated containers with a poly bag insert

Item #	Description	Std Pkg
027-RIGWASH50#	50 lb Rig Wash Orange Drum - White	1 drum

OILPATCH PRODUCTS

OilPatch Doug Stick



- Standard 5' stick for measuring in drill pipe or Kelly's
- The stick is marked in 1' increments

Item #	Description	Std Pkg
126-5FT-DOUGSTICK	5' Doug Stick	1 ea

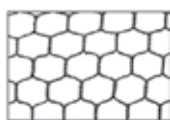
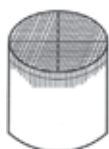
OilPatch #4 Babbit



- For general purpose industrial application requiring high strength and corrosion resistance

Item #	Description	Std Pkg
058-BABBIT#4	6 Bars Per 50 lb Box	50 lb

OilPatch Bird Net Kit



- Mesh design
- Tough durable nylon bird protection
- Available in two sizes: 12.5'x12.5' & 18'x18'

Item #	Description	Std Pkg
150-12X12-KIT	12.5' x 12.5' Nylon Bird Net Kit	1 ea
150-18X18-KIT	18' x18' Nylon Net Bird Net Kit	1 ea

OilPatch Dog House Stove



- Approx. 20.25" x 11.5" x 5.75"
- Light weight and portable
- 3/8" male flare gas connection
- Unassembled and boxed

Item #	Description	Std Pkg
146-63-5112	Gas Stove Cast Iron, 2 Burner 15,000 BTU Each	1 ea

OilPatch Tea Strainers



- Mesh tea strainer
- Plastic handle

Item #	Description	Std Pkg
070-4362	6" Tea Strainer	Bulk
070-4386	8" Tea Strainer	Bulk

OilPatch Coco Mats



- Made from select coconut coir fibers
- Densely woven coir fibers absorb water
- Helps whisk away traffic dirt and moisture

Item #	Description	Std Pkg
030-COCO-MAT-12	Mat 36" X48"	3 ea
030-COCO-MAT-3	Mat 18" X30"	12 ea
030-COCO-MAT-4	Mat 20" X33"	12 ea
030-COCO-MAT-5	Mat 22" X36"	12 ea
030-COCO-MAT-9	Mat 30" X48"	6 ea

OilPatch Safety Pins



- Zinc-plated
- Easy-to-use spring-and-clasp mechanism
- Ideal for situations that involve ever-changing conditions

Item #	Description	Std Pkg
014-C108-1/16	Safety Pin Super Small 1/16"x3.75"	10 ea
014-LG/SAFETY/PIN	Safety Pin Large 1/4"x8.75"	10 ea
014-SM/SAFETY/PIN	Safety Pin Med 1/4"x7.75"	10 ea
014-SMALL-3/16PIN	Safety Pin Small 3/16"x7.5"	10 ea
014-XS/SAFETY/PIN	Safety Pin Extra Small 3/16"x5.75"	10 ea

OilPatch Air Hose



- All rubber
- 300 PSI hose
- Medium oil resistant VRMA class
- Temp. range -20°F to 140°F

Item #	Description	Std Pkg
228-HRE3850RD2	3/8" x 50' Rubber Air Hose 300PSI Oil Resistance	5 ea

OilPatch Warning Air Horn



- Non-flammable
- Complete with trumpet
- 100% safe for the ozone
- 120 decibels @ over 3 foot

Item #	Description	Std Pkg
262-46111	8 oz Warning Air Horn	12 ea

OilPatch Caution Barricade Tape



- Yellow/Black
- Roll width: 3"
- Thickness: 2.0 mil
- Roll Length: 300' or 1,000'

Item #	Description	Std Pkg
066-3X1000	2 mil 3" x 1000' Caution Tape	12 ea
066-3X300	2 mil 3" x 300' Caution Tape	16 ea

OILPATCH PRODUCTS

OilPatch Danger Barricade Tape

DANGER



- Red/Black
- Roll width: 3"
- Thickness: 2.0 mil
- Roll Length: 1,000'

Item #	Description	Std Pkg
066-3X1000-DANGER	2 mil 3" x 1000' Danger Barricade Tape	12 ea

Oil Line-Underground Detectable Tape



- Aluminum core for easy underground detection
- Withstands temperatures from -94° to 200°F
- Standard 5 mil thickness, 1000' roll length

Item #	Description	Std Pkg
066-D210501056	2"x1000' Oil Line-Underground Detectable Tape	12 ea

Water Line-Underground Detectable Tape



- Endures temperatures from -60°F to 250°F
- Permanently imprinted with black ink
- 5 mil material thickness

Item #	Description	Std Pkg
066-D2105B52	2"x1000' Water Line-Underground Detectable Tape	12 ea

Electric Line Detectable Tape



- Aluminum core for easy underground detection
- Withstands temperatures from -94°F to 200°F
- Standard 5 mil thickness, 1000' roll length

Item #	Description	Std Pkg
066-D2105R6	2"x1000' Electric Line Detectable Tape	12 ea

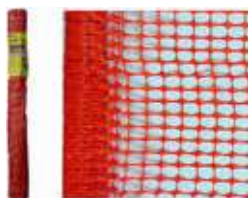
Gas Line-Underground Detectable Tape



- Endures temperatures from -60°F to 250°F
- 5 mil material thickness
- PWA colors provided

Item #	Description	Std Pkg
066-D210Y5	2"x1000' Gas Line-Underground Detectable Tape	12 ea

OilPatch Orange Poly Barricade Fence



- U.V. stabilized
- Strong, yet light & flexible
- High visibility orange

Item #	Description	Std Pkg
086-ORANGE4X100	4' x 100' Orange Barricade Safety Fence	1 roll

OilPatch Netted Boom Sock



- Repels water
- Absorb & contain spilled hydrocarbons
- Deployed in conjunction with booms

Item #	Description	Std Pkg
006-B510SN	5" x 10' White Netted Boom Sock (4 per Bale)	1 bale
006-B810SN	8" x 10' White Netted Boom Sock (4 per Bale)	1 bale

OilPatch Medium Weight Economy Pad



- 100 per bale, Economy pad
- Fast wicking fibers
- Absorbs petroleum based liquids, never water

Item #	Description	Std Pkg
006-EP100	17" x 19" Economy White Medium Weight Pad	1 bale

OilPatch Heavy Weight Pad



- Only for oil
- Color: White
- 100 per bale
- Fast wicking fibers

Item #	Description	Std Pkg
006-P100	17" x 19" White Heavy Weight Pad	1 bale

OilPatch Medium Weight Pad



- Only for oil
- 200 per bale
- Single weight pad
- Fast wicking fibers

Item #	Description	Std Pkg
006-P200	17" x 19" White Medium Weight Pad	1 bale

OilPatch Heavy Weight Pad - Green



- 100 per bale
- Multi-Purpose
- Hazmat absorbent pads
- Heavy weight bonded pads

Item #	Description	Std Pkg
006-UP100	15" x 18" Green Heavy Weight Bonded Pad	1 bale

OilPatch Heavy Weight Pad - Gray



- 100 per bale
- Fast wicking fibers
- Dimpled for added strength

Item #	Description	Std Pkg
006-UQ100	17" x 19" Gray Heavy Weight Bonded Pad	1 bale

OILPATCH PRODUCTS

OilPatch Medium Weight Roll



- Medium weight
- Fast wicking fibers
- Melt-blown polypropylene fibers
- Absorbs petroleum base liquids, never water

Item #	Description	Std Pkg
006-ER144-38	38" x 144' White Medium Weight Roll	1 ctn

OilPatch Green Chemical Safety Apron



- 3 piece ties
- Green HD PVC

Item #	Description	Std Pkg
000-56100-45	45" Green 20 mil Chemical Safety Apron	12 ea

OilPatch White String Knit Glove



- Light weight 550 gram string knits glove
- Cotton/polyester shell general purpose used as a liner in any type of glove that is used in cooler conditions

Item #	Description	Std Pkg
261-S55	White String Knit Glove - Large	1 doz

OilPatch Gray String Knit Glove



- Light weight 550 gram string knits glove
- Cotton/polyester shell general purpose used as a liner in any type of glove that is used in cooler conditions

Item #	Description	Std Pkg
261-S55G	Gray String Knit Glove - Large	1 doz
261-S55G-W	Gray String Knit Glove - Medium	1 doz

OilPatch Windsock



- 400 lb. tensile strength webbing
- High quality brass grommets
- Water repellant nylon thread

Item #	Description	Std Pkg
150-1036	10" x 36" Windsock	Bulk
150-1240	12" x 40" Windsock	Bulk
150-1860	18" x 60" Windsock	Bulk
150-628	6" x 28" Windsock	Bulk
150-832	8" x 32" Windsock	Bulk

OilPatch Windsock Frame



- Bearing frames are a rugged design constructed
- Welded steel construction with powder coated finish
- Two bearing pivoting design for effortless pivoting

Item #	Description	Std Pkg
150-10	10" Windsock Frame	Bulk
150-12	12" Windsock Frame	Bulk
150-18	18" Windsock Frame	Bulk
150-6	6" Windsock Frame	Bulk
150-8	8" Windsock Frame	Bulk



OFF! Deep Woods



- Formulated with 25% DEET
- Long-lasting protection from biting insects
- Protection that won't stain and resists perspiration
- Repels mosquitoes, ticks, black flies, sand flies, chiggers, fleas and gnats

Item #	Description	Std Pkg
102-94903	6 oz Johnson #CB018425 Deep Woods Off	12 ea



Crimped Wire Wheel Brush w/ Shank



- Applications: rust, scale, paint, dirt, weld spatter removal
- For internal and external cleaning and deburring
- Can be used off-hand or on drill presses

Item #	Description	Std Pkg
078-16467	1-1/2" x .014 x 1/4" Shank Crimped Wire Wheel	10 ea
078-16475	2" x .014 x 1/4" Shank Crimped Wire Wheel	10 ea

Knot Wire Wheel Brush



- Blending-finishing, deburring
- General purpose cleaning
- For arc-weld cleaning
- Pipe cleaning

Item #	Description	Std Pkg
078-26047	6" x .0095 x 5/8-11 Knot Wire Wheel Brush	12 ea
078-26392	4" Knot Wire Wheel Brush 5/8-11	6 ea

Knot Wire Wheel - Stringer Bead



- For cleaning string bead welds
- Small width allows it to be used in recessed areas

Item #	Description	Std Pkg
078-26048	6-1/2" x .020 x 5/8-11 Knot Wire Wheel	12 ea
078-26316	6-1/2" x .020 x 5/8-11 Knot Wire Wheel	12 ea



Knot Wire Wheel - High Speed Stringer Bead



- For stringer bead scale removal
- Works aggressively, yet smoothly on air tools or portable power tools

Item #	Description	Std Pkg
078-26307	4" x .020 x 5/8-11 Knot Wire Wheel	12 ea
078-26369	4" x .020 x 5/8-11 Knot Wire Wheel	12 ea

Crimped Wire Brush - Medium Face



- Applications: rust removal, finishing and cleaning, edge blending, deburring
- Great for bench grinders
- Adaptable to wide range of equipment

Item #	Description	Std Pkg
078-22074	7" x .0104 x 2" Arbor Crimped Wire Wheel	2 ea
078-22076	7" x .014 x 2" Arbor Crimped Wire Wheel	2 ea
078-22081	8" Wire Wheel (.006 x 5/8" x 2" AH)	1 ea
078-22085	8" x .0118 x 2" Arbor Crimped Wire Wheel	1 ea
078-22086	8" Wire Wheel (.014 x 5/8" x 2" AH)	1 ea
078-22111	10" x .0118 x 2" Arbor Crimped Wire Wheel	1 ea
078-22112	10" Wheel Wire (.014 x 1-1/4 x 2" AH)	1 ea

Crimped Wire Brush - Wide Face



- Fits directly onto 2" dia. Arbors
- Great for bench grinders
- Applications: deburring, rust removal, surface finishing, general cleanup of tools, bench motor brush

Item #	Description	Std Pkg
078-22006	6" x .014 x 2" Arbor Crimped Wire Wheel	1 ea
078-22012	8" Wire Wheel (.014 x 1-1/2 x 2" AH)	1 ea
078-22013	8" x .020 x 2" Arbor Crimped Wire Wheel	1 ea

Knot Wire End Brush



- For spot cleaning or facing
- Slag, rust, and scale removal
- For ID pipe and deburring
- Die molds and pipeline

Item #	Description	Std Pkg
078-30014	1" x 1-1/8" Knotted End Brush	12 ea
078-30395	1" x 2-3/4" x .014 Crimped Knot End Wire Brush	12 ea

Crimped Wire End Brush



- For surface blending, cleaning and polishing
- Applications: rubber and plastic mold cleaning, removing rust, cleaning castings, burr removal, cleaning pipe, weld scale/spatter

Item #	Description	Std Pkg
078-30051	1/2" x 2-3/4" x .006 Crimped Wire End Brush	12 ea
078-30057	3/4" x 2-3/4" x .006 Crimped Wire End Brush	12 ea

Crimped Wire End Brush - Circular



- Applications: Cleaning welds, molds or metal surfaces, removing rust & paint, polishing molds, tooling & dies, deburring

Item #	Description	Std Pkg
078-30231	3"X .008" Circular End Brush	12 ea

Crimped Wire Cup Brush



- Smooth cutting action
- Applications: cleaning of large metal surfaces, removal of burrs, weld scale and rust, edge blending, surface prep

Item #	Description	Std Pkg
078-32118	4" Crimp Wire Cup Brush .020 X 5/8-11	1 ea
078-32136	6" x .020 x 5/8-11 Crimped Wire Cup Brush	1 ea

Knot Wire Cup Brush



- Applications: removal of weld scale, rust, old paint and corrosion, cleaning and surface prep of metals

Item #	Description	Std Pkg
078-33015	6" x .020 x 5/8-11 Knot Wire Cup Brush	10 ea
078-33050	6" .020 X 5/8-11 Knot Wire Cup Brush	10 ea
078-33139	4" x .020 x 5/8-11 SS Knot Wire Cup Brush	10 ea
078-33150	6" x .020 x 5/8-11 Knot Wire Cup Brush	10 ea

Knot Wire Cup Brush - High Speed



- 2-3/4" x .014" x 5/8-11
- For 4-1/2" and 5" grinders
- Knot style offers aggressive action

Item #	Description	Std Pkg
078-33459	2-3/4" x .014" x 5/8-11 Cup Brush Twisted HS	6 ea

Knot Wire Cup Brush - Heavy Duty



- Applications: general cleaning, cleaning curved or flat surfaces and corners, pipe bevel buffing

Item #	Description	Std Pkg
078-33000	3-1/2" x .020 x 5/8-11 HD Knot Wire Cup Brush	6 ea

Knot Wire Cup Brush - Stagger Row



- Applications: cleaning of flat surfaces, angles and corners, surface prep, removal of oils, grease, rust, paint, varnish

Item #	Description	Std Pkg
078-33198	5-3/4" x .020 x 5/8-11 Knot Wire Cup Brush	1 ea



Flue Double Spiral Brush



- For manual or power cleaning of pipes and flues

Item #	Description	Std Pkg
078-51064	1" x 1-1/4" x .01 x 4-1/2" Flue Brush	12 ea
078-51065	1-1/4" x 1-1/2" x .0118 x 4-1/2" Flue Brush	12 ea

Metal Adapter - 2" Arbor



- Metal adapters for bench wheels
- For 2" ID hole

Item #	Description	Std Pkg
078-75021	1/2" x 2" Metal Adapter Arbor for Bench Wheels	1 pr
078-75023	5/8" x 2" Metal Adapter Arbor for Bench Wheels	1 pr



ToolPak Original



- Waterproof
- Rigid panel design
- Adjustable pockets
- Ergo shoulder straps
- 106 pockets and holders

Item #	Description	Std Pkg
220-90650	Original 100 Pockets and Holders	1 ea

Tool Roll



- "Fit-anywhere" kit
- Varying width pockets
- 14 pocket ToolRoll roll-up
- Double sewn and covered edges
- 2 brass grommets for wall mounting
- Waterproof 420 denier, nylon pack cloth

Item #	Description	Std Pkg
220-93400	Tool Roll 14 Pocket Nylon	15 ea

Duffel Bag



- Half-moon shaped zippered opening
- 2 full-circumference zippered end pockets
- 1 Zippered end pocket
- Black 1000 denier nylon

Item #	Description	Std Pkg
220-93600	Duffel Medium 24" Bag 3 Compartments 1 Pocket	15 ea

BucketPak



- Thirty-eight total pockets
- Double-sewn, covered edges
- Deluxe padded shoulder strap
- 24 outside and 14 inside pockets
- Red and black 1000 denier nylon
- Fits a standard five-gallon bucket

Item #	Description	Std Pkg
220-98100	BucketPak Fits 5 gal Bucket 38 Pockets	15 ea



Pipe Wrap



- Moisture proof
- Inert and non-conducting
- All weather pipe protection

Item #	Description	Std Pkg
225-9052-R	2" x 100' Pipe Wrap	24 ea
225-9054-R	4" x 100' Pipe Wrap	12 ea
225-9056-R	6" x 100' Pipe Wrap	8 ea



Ratchet Binder Plus



- Use with Grade 70 or 80 Chain
- Proof Tested to 75% of Minimum Break Strength
- Hi-Vis Yellow Powder Coat Paint

Item #	Description	Std Pkg
214-H5121-4258	3/8" - 1/2" Ratchet Binder Plus Loadbinder	2 ea

Quickbinder Plus Ratchet



- Use with Grade 70 or 80 Chain
- Proof Tested to 75% of Minimum Break Strength
- 7100lbs WLL
- Fast Adjustments w/ Folding Handle

Item #	Description	Std Pkg
214-H5125-0658	5/16" - 3/8" Quickbinder Plus Ratchet Load binder	4 ea
214-H5125-0858	3/8" - 1/2" Quickbinder Plus Ratchet Load binder	4 ea

Plastic Light Duty Chain



- Made of Polypropylene
- For Barrier Guide or Traffic Guiding

Item #	Description	Std Pkg
214-H2612-0552	5/16" Yellow Plastic Light Duty Chain 150'/Pail	1 pail
214-H2612-0554	5/16" Red Plastic Light Duty Chain 150'/ Pail	1 pail



Clevis Grab Hook Zinc Plated



- Grade 43 High Test Chain
- Not for Overhead Lifting
- Zinc Plated

Item #	Description	Std Pkg
214-8023235	1/4" Grade 43 Clevis Grab Hook Zinc Plated	10 ea
214-8023335	5/16" Grade 43 Clevis Grab Hook Zinc Plated	10 ea
214-8023435	3/8" Grade 43 Clevis Grab Hook Zinc Plated	10 ea
214-8023635	1/2" Grade 43 Clevis Grab Hook Zinc Plated	10 ea

Quick Link Zinc Plated



- Low Carbon Steel
- For Easy Connection
- For Permanent or Temporary Connections

Item #	Description	Std Pkg
214-8056235	1/4" Quick Link Zinc Plated	20 ea
214-8056335	5/16" Quick Link Zinc Plated	10 ea
214-8056435	3/8" Quick Link Zinc Plated	10 ea



20 qt Cooler - White/Gray



- Built in bottle opener
- Molded-in lock hasp
- 3 days of ice retention
- Molded-in can holders
- Easy carry handle and grooved body
- Holds up to 15 cans or 4 bottles of wine

Item #	Description	Std Pkg
132-200-1-WHTGRY	20 qt Cooler - White/Gray	1 ea

20 qt Cooler - OD Green/Tan



- Built in bottle opener
- Molded-in lock hasp
- 3 days of ice retention
- Molded-in can holders
- Easy carry handle and grooved body
- Holds up to 15 cans or 4 bottles of wine

Item #	Description	Std Pkg
132-200-2-ODTAN	20 qt Cooler - OD Green/Tan	1 ea

20 qt Cooler - Tan/Orange



- Built in bottle opener
- Molded-in lock hasp
- 3 days of ice retention
- Molded-in can holders
- Easy carry handle and grooved body
- Holds up to 15 cans or 4 bottles of wine

Item #	Description	Std Pkg
132-200-2-TANORG	20 qt Cooler - Tan/Orange	1 ea

20 qt Cooler - Dark Gray/Green



- Built in bottle opener
- Molded-in lock hasp
- 3 days of ice retention
- Molded-in can holders
- Easy carry handle and grooved body
- Holds up to 15 cans or 4 bottles of wine

Item #	Description	Std Pkg
132-200-1-DKGRYEGRN	20 qt Cooler - Dark Gray/Green	1 ea

30 qt Cooler - White/Gray



- Drain plug
- Molded-in handles
- Molded-in lock hasp
- Molded-in can holders
- Built in bottle opener

Item #	Description	Std Pkg
132-300-1-WHTGRY	30 qt Cooler - White/Gray	1 ea

30 qt Cooler - OD Green/Tan



- Drain plug
- Molded-in handles
- Molded-in lock hasp
- Molded-in can holders
- Built in bottle opener

Item #	Description	Std Pkg
132-300-2-ODTAN	30 qt Cooler - OD Green/Tan	1 ea

30 qt Cooler - Tan/Orange



- Drain plug
- Molded-in handles
- Molded-in lock hasp
- Molded-in can holders
- Built in bottle opener

Item #	Description	Std Pkg
132-300-2-TANORG	30 qt Cooler - Tan/Orange	1 ea

30 qt Cooler - Dark Gray/Green



- Drain plug
- Molded-in handles
- Molded-in lock hasp
- Molded-in can holders
- Built in bottle opener

Item #	Description	Std Pkg
132-300-1-DKGRYEGRN	30 qt Cooler - Dark Gray/Green	1 ea

50 qt Cooler - White/Gray



- Drain plug
- Molded-in handles
- Molded-in lock hasp
- Molded-in can holders
- Built in bottle opener

Item #	Description	Std Pkg
132-500-1-WHTGRY	50 qt Cooler - White/Gray	1 ea



50 qt Cooler - OD Green/Tan



- Drain plug
- Molded-in handles
- Molded-in lock hasp
- Molded-in can holders
- Built in bottle opener

Item #	Description	Std Pkg
132-50Q-2-ODTAN	50 qt Cooler - OD Green/Tan	1 ea

50 qt Cooler - Tan/Orange



- Drain plug
- Molded-in handles
- Molded-in lock hasp
- Molded-in can holders
- Built in bottle opener

Item #	Description	Std Pkg
132-50Q-2-TANORG	50 qt Cooler - Tan/Orange	1 ea

50 qt Cooler - Dark Gray/Green



- Drain plug
- Molded-in handles
- Molded-in lock hasp
- Molded-in can holders
- Built in bottle opener

Item #	Description	Std Pkg
132-50Q-1-DKGRYEGRN	50 qt Cooler - Dark Gray/Green	1 ea

70 qt Cooler - White/Gray



- Drain plug
- Molded-in lock hasp
- Molded-in can holders
- Built in bottle opener

Item #	Description	Std Pkg
132-70Q-1-WHTGRY	70 qt Cooler - White/Gray	1 ea

70 qt Cooler - OD Green/Tan



- Drain plug
- Molded-in lock hasp
- Molded-in can holders
- Built in bottle opener

Item #	Description	Std Pkg
132-70Q-2-ODTAN	70 qt Cooler - OD Green/Tan	1 ea

70 qt Cooler - Tan/Orange



- Drain plug
- Molded-in lock hasp
- Molded-in can holders
- Built in bottle opener

Item #	Description	Std Pkg
132-70Q-2-TANORG	70 qt Cooler - Tan/Orange	1 ea

70 qt Cooler - Dark Gray/Green



- Drain plug
- Molded-in lock hasp
- Molded-in can holders
- Built in bottle opener

Item #	Description	Std Pkg
132-70Q-1-DKGRYEGRN	70 qt Cooler - Dark Gray/Green	1 ea

45 qt Wheeled Cooler - White



- Built in trolley handle
- Built-in Bottle Opener
- Up to 10 days ice retention
- 2" polyurethane insulation

Item #	Description	Std Pkg
132-32-45QW-MC-WHT	45 qt Elite Wheeled Cooler - White	1 ea

45 qt Wheeled Cooler - Tan



- Built in trolley handle
- Built-in Bottle Opener
- Up to 10 days ice retention
- 2" polyurethane insulation

Item #	Description	Std Pkg
132-32-45QW-OC-TAN	45 qt Elite Wheeled Cooler - Tan	1 ea

55 qt Wheeled Cooler - White



- 2 Trays Included
- Lid Hatch Opening
- Telescopic Handle
- Built-in Bottle Opener
- Integrated Cup Holders

Item #	Description	Std Pkg
132-32-55QW-WHT	55 qt Tailgater Wheeled Cooler - White	1 ea

55 qt Wheeled Cooler - Tan



- 2 Trays Included
- Lid Hatch Opening
- Telescopic Handle
- Built-in Bottle Opener
- Integrated Cup Holders

Item #	Description	Std Pkg
132-32-55QW-TAN	55 qt Tailgater Wheeled Cooler - Tan	1 ea

80 qt Wheeled Cooler - White



- Built-in bottle opener
- Integrated cup holders
- Built-in trolley handle

Item #	Description	Std Pkg
132-32-80Q-MC-WHT	80 qt Elite Wheeled Cooler - White	1 ea



80 qt Wheeled Cooler - Tan



- Built-in bottle opener
- Integrated cup holders
- Built-in trolley handle

Item #	Description	Std Pkg
132-32-80Q-OC-TAN	80 qt Elite Wheeled Cooler - Tan	1 ea

95 qt Cooler - White



- Molded-In lock hasp
- Threaded drain plug
- 2" Polyurethane insulation
- Up to 10 days ice retention
- Molded-In and hinged handles

Item #	Description	Std Pkg
132-32-95Q-MC-WHT	95 qt Elite Cooler - White	1 ea

95 qt Cooler - Tan



- Molded-In lock hasp
- Threaded drain plug
- 2" Polyurethane insulation
- Up to 10 days ice retention
- Molded-In and hinged handles

Item #	Description	Std Pkg
132-32-95Q-OC-TAN	95 qt Elite Cooler - Tan	1 ea

150 qt Cooler - White



- Molded-In lock hasp
- Threaded drain plug
- 2" Polyurethane insulation
- Up to 10 days ice retention
- Molded-In and hinged handles

Item #	Description	Std Pkg
132-32-150Q-MC-WHT	150 qt Elite Cooler - White	1 ea

150 qt Cooler - Tan



- Molded-In lock hasp
- Threaded drain plug
- 2" Polyurethane insulation
- Up to 10 days ice retention
- Molded-In and hinged handles

Item #	Description	Std Pkg
132-32-150Q-OC-TAN	150 qt Elite Cooler - Tan	1 ea

250 qt Cooler - White



- Molded-In lock hasp
- Threaded drain plug
- 2" Polyurethane insulation
- Up to 10 days ice retention
- Molded-In and hinged handles

Item #	Description	Std Pkg
132-32-250Q-MC-WHT	250 qt Elite Cooler - White	1 ea

250 qt Cooler - Tan



- Molded-In lock hasp
- Threaded drain plug
- 2" Polyurethane insulation
- Up to 10 days ice retention
- Molded-In and hinged handles

Item #	Description	Std Pkg
132-32-250Q-OC-TAN	250 qt Elite Cooler - Tan	1 ea

12 Can Soft Cooler



- Waterproof, keeps ice up to 48 hours
- 100% Leak proof TIZIP® Zipper
- Compression molded anti-slip base
- Stainless steel tie-down and bottle openers

Item #	Description	Std Pkg
132-SOFT-SC-12-BLK	12 Can Soft Cooler	1 ea

24 Can Soft Cooler



- Waterproof, keeps ice up to 48 hours
- 100% Leak proof TIZIP® Zipper
- Compression molded anti-slip base
- Stainless steel tie-down and bottle openers

Item #	Description	Std Pkg
132-SOFT-SC-24-BLK	24 Can Soft Cooler	1 ea

48 Can Soft Cooler



- Waterproof, keeps ice up to 48 hours
- 100% Leak proof TIZIP® Zipper
- Compression molded anti-slip base
- Stainless steel tie-down and bottle openers

Item #	Description	Std Pkg
132-SC48	48 Can Soft Cooler	1 ea

45 qt Cooler Seat Cushion



- Fits Pelican Elite coolers
- 2" thick dense foam padding
- Heavy-duty, water-resistant vinyl
- Self-tapping, stainless steel studs included

Item #	Description	Std Pkg
132-45QSEAT	45 qt Cooler Seat Cushion	1 ea

65/95 qt Cooler Seat Cushion



- Fits Pelican Elite coolers
- 2" thick dense foam padding
- Heavy-duty, water-resistant vinyl
- Self-tapping, stainless steel studs included

Item #	Description	Std Pkg
132-65-95QSEAT	65/95 qt Cooler Seat Cushion	1 ea



Dry Rack Basket - 50 QT



- Powder coated, removable and washable
- Corrosion Resistant
- Keep food or elevated and dry

Item #	Description	Std Pkg
132-50-WB	Dry Rack Basket - 50 QT Cooler Only	1 ea

Dry Rack Basket - 70 QT



- Powder coated, removable and washable
- Corrosion Resistant
- Keep food or elevated and dry

Item #	Description	Std Pkg
132-70-WB	Dry Rack Basket - 70 QT Cooler Only	1 ea

35/45/65/95 qt Dry Rack Basket



- Powder coated
- Corrosion resistant
- Removeable and washable
- Keeps food or bait elevated and dry

Item #	Description	Std Pkg
132-WBSM	35/45/65/95 qt Cooler Dry Rack Basket	1 ea

150/250 qt Dry Rack Basket



- Powder coated
- Corrosion resistant
- Removeable and washable
- Keeps food or bait elevated and dry

Item #	Description	Std Pkg
132-WBLG	150/250 qt Cooler Dry Rack Basket	1 ea

22 oz Tumbler - Black



- Spill-Resistant Lid
- Copper plated inner wall
- Double-wall vacuum insulation
- 18/8 BPA-free stainless steel
- Extreme cold & heat retention
- Guaranteed for life

Item #	Description	Std Pkg
132-TRAV-SD22-BLK	22 oz Tumbler - Black	6 ea

22 oz Tumbler - Silver



- Spill-Resistant Lid
- Copper plated inner wall
- Double-wall vacuum insulation
- 18/8 BPA-free stainless steel
- Extreme cold & heat retention
- Guaranteed for life

Item #	Description	Std Pkg
132-TRAV-SD22-SLV	22 oz Tumbler - Silver	6 ea

22 oz Tumbler - Seafoam



- Spill-Resistant Lid
- Copper plated inner wall
- Double-wall vacuum insulation
- 18/8 BPA-free stainless steel
- Extreme cold & heat retention
- Guaranteed for life

Item #	Description	Std Pkg
132-TRAV-SD22-SFG	22 oz Tumbler - Seafoam	6 ea

22 oz Tumbler - Camo



- Spill-Resistant Lid
- Copper plated inner wall
- Double-wall vacuum insulation
- 18/8 BPA-free stainless steel
- Extreme cold & heat retention
- Guaranteed for life

Item #	Description	Std Pkg
132-TRAV-SN22-CAMO	22 oz Tumbler - Camo	12 ea

22 oz Tumbler - OD Green



- Spill-Resistant Lid
- Copper plated inner wall
- Double-wall vacuum insulation
- 18/8 BPA-free stainless steel
- Extreme cold & heat retention
- Guaranteed for life

Item #	Description	Std Pkg
132-TRAV-SD22-OD	22 oz Tumbler - OD Green	6 ea

32 oz Tumbler - Black



- Spill-Resistant Lid
- Copper plated inner wall
- Double-wall vacuum insulation
- 18/8 BPA-free stainless steel
- Extreme cold & heat retention
- Guaranteed for life

Item #	Description	Std Pkg
132-TRAV-SD32-BLK	32 oz Tumbler - Black	6 ea

32 oz Tumbler - Silver



- Spill-Resistant Lid
- Copper plated inner wall
- Double-wall vacuum insulation
- 18/8 BPA-free stainless steel
- Extreme cold & heat retention
- Guaranteed for life

Item #	Description	Std Pkg
132-TRAV-SD32-SLV	32 oz Tumbler - Silver	6 ea



32 oz Tumbler - Seafoam



- Spill-Resistant Lid
- Copper plated inner wall
- Double-wall vacuum insulation
- 18/8 BPA-free stainless steel
- Extreme cold & heat retention
- Guaranteed for life

Item #	Description	Std Pkg
132-TRAV-SD32-SFG	32 oz Tumbler - Seafoam	6 ea

32 oz Tumbler - Camo



- Spill-Resistant Lid
- Copper plated inner wall
- Double-wall vacuum insulation
- 18/8 BPA-free stainless steel
- Extreme cold & heat retention
- Guaranteed for life

Item #	Description	Std Pkg
132-TRAV-SN32-CAMO	32 oz Tumbler - Camo	12 ea

32 oz Tumbler - OD Green



- Spill-Resistant Lid
- Copper plated inner wall
- Double-wall vacuum insulation
- 18/8 BPA-free stainless steel
- Extreme cold & heat retention
- Guaranteed for life

Item #	Description	Std Pkg
132-TRAV-SD32-OD	32 oz Tumbler - OD Green	6 ea

2350 LED Tactical Flashlight



- 15 to 178 Lumens
- Removable pocket clip
- 1 AA Battery (included)
- 3 modes: High / Low / Flashing

Item #	Description	Std Pkg
132-2350B	2350 LED 15-178 Lumens Flashlight 1 AA	6 ea

2360 LED Tactical Flashlight



- Batteries: 2AA
- Water resistant
- Lumens: 250/24
- Runtime: 2.25/19 hours

Item #	Description	Std Pkg
132-2360B	2360 LED High 110 Lumens Low 10 Lumens 2 AA	6 ea

Tactical Flashlight - 2370



- Aerospace grade aluminum
- 3 white light modes (High, Strobe, Low)
- Dial switches between bright white light & night vision red or green

Item #	Description	Std Pkg
132-2370B	Tactical Flashlight	6 ea

Rechargeable Tactical Flashlight - 2380R



- 372 Lumens
- Flood and spot capabilities
- 3 modes – High/Strobe/Low

Item #	Description	Std Pkg
132-2380R	Rechargeable Flashlight	6 ea

Rechargeable Tactical Flashlight - 7070R



- USB Wireless Charging
- Bluetooth App Programming
- Lithium-Ion Rechargeable Battery

Item #	Description	Std Pkg
132-7070R	Rechargeable Tactical - 1123 Lumens	6 ea

Tactical Flashlight - 7100



- High Performance and Compact
- High, Strobe, Medium and Low Modes
- USB Lithium-Ion Rechargeable

Item #	Description	Std Pkg
132-7100	Rechargeable Tactical Flashlight - 695 Lumens	6 ea

Tactical Flashlight - 7110



- Ultra Compact and Lightweight
- Will run on AA or CR123 batteries
- Up to 445 Lumens
- Four modes (High/Strobe/Medium/Low)

Item #	Description	Std Pkg
132-7110	Rechargeable Tactical Flashlight - 229 Lumens	6 ea

Tactical Flashlight - 7600



- Type III hard anodized finish
- USB Lithium-Ion Rechargeable
- Up to 900 Lumens
- 3 LED Colors

Item #	Description	Std Pkg
132-7600	Rechargeable Tactical Flashlight - 944 Lumens	6 ea

Tactical Flashlight - 7610



- Type III hard anodized finish
- Will run on 1 AA, 2 CR123 or Pelican rechargeable batteries
- Up to 1018 Lumens (w/ 2x CR123 batteries)

Item #	Description	Std Pkg
132-7610	Rechargeable Tactical Flashlight - 185 Lumens	6 ea



Tactical Flashlight - 7620



- Type III hard anodized finish
- Will run on 2 AA, 3 CR123 or Pelican rechargeable batteries
- Up to 1124 Lumens (w/ 3x CR123 batteries)
- 4 programmable modes (High/Strobe/Med/Low)

Item #	Description	Std Pkg
132-7620	Rechargeable Tactical Flashlight - 387 Lumens	6 ea

1965C MityLite Flashlight



- Lumens: 21
- Submersible
- Runtime: 4 hrs
- Batteries: 2AAA

Item #	Description	Std Pkg
132-1965C-YELLOW	1965C LED Yellow MityLite AAA	6 ea

1910 LED Flashlight



- Water resistant
- Batteries: 1AAA
- Lumens: 72/14
- Runtime: 1.75/4 hours

Item #	Description	Std Pkg
132-1910-BLACK	1910 LED Black 1 AAA	6 ea

1920 LED Flashlight



- Water resistant
- Batteries: 2AAA
- Lumens: 120/12
- Runtime: 2.75/8.5 hrs

Item #	Description	Std Pkg
132-1920-BLACK	1920 LED Black 2 AAA	6 ea

Flashlight - 3315



- 160 Lumens
- 3 AA batteries
- Class I, II, III – Division 1 Safety Certified
- Safety Certified Class 1, Division 1/IECEXIA

Item #	Description	Std Pkg
132-3315C-BLACK	Compact Flashlight - 160 Lumens	6 ea

2010C SabreLite LED Flashlight



- Submersible
- Batteries: 3C
- Lumens: 109
- Runtime: 32 hours

Item #	Description	Std Pkg
132-2010C-YEL	2010C Yellow SabreLite LED 3 C	6 ea

2410C LED StealthLite Flashlight



- Submersible
- Batteries: 4AA
- Lumens: 126
- Runtime: 7.5 hrs

Item #	Description	Std Pkg
132-2410C-BLACK	2410C LED Black StealthLite Recoil 4 AA	6 ea

3310PL LED Photoluminescent Flashlight



- Submersible
- Batteries: 3AA
- Lumens: 234/28
- Runtime: 8.75/190 hrs

Item #	Description	Std Pkg
132-3310PLC	3310C LED Photoluminescent Bright Glow 3 AA	6 ea

3310R LED Flashlight



- IPX8 Waterproof
- Up to 1067 Lumens
- Up to 50 hours run time
- Lithium ion rechargeable battery
- 4 modes: Boost / High / Low / Flashing

Item #	Description	Std Pkg
132-3310R	3310 Lithium-Ion Rechargeable Flashlight	6 ea

3315C LED Flashlight



- Submersible
- Lumens: 110
- Batteries: 3AA
- Runtime: 19 hours

Item #	Description	Std Pkg
132-3315C-YELLOW	3315C LED Yellow Flashlight 113 Lumens, 3 AA	6 ea

Right Angle Flashlight - 3410



- Articulating Light Head
- "Glow in the Dark" Body
- 3 modes: Spot, Flood or Both
- 3 Light Levels (High, Medium, Low)

Item #	Description	Std Pkg
132-3410	Glow-In-The-Dark Right Anlge Flashlight	6 ea

Right Angle Flashlight - 3415



- Articulating Light Head
- Class I, II, III – Division 1 Safety Certified
- 3 modes: Spot, Flood or Both

Item #	Description	Std Pkg
132-3415	Right Angle Flashlight - 329 Lumens	6 ea



2220C VB3 LED Flashlight



- Lumens: 9
- Water resistant
- Runtime: 34 hrs
- Batteries: 2 CR2032

Item #	Description	Std Pkg
132-2220C-YEL	2220C Yellow VB3 Clip On LED 2 CR2032	6 ea

2610C LED HeadsUp Headlight



- Lumens: 30/14
- Batteries: 3AAA
- Water Resistant
- Runtime: 19/47 hrs

Item #	Description	Std Pkg
132-2610C	2610C LED Black HeadsUp 3 AAA	6 ea

2720C LED Headlight



- Lumens: 80/5
- Batteries: 3AAA
- Water Resistant
- Runtime: 8/175 hrs

Item #	Description	Std Pkg
132-2720C	2720C LED Black Headlight 3 AAA	6 ea

2755C LED Headlight



- Lumens: 72/34
- Batteries: 3AAA
- Water Resistant
- Class 1, Division 1
- Runtime: 6/15 hours

Item #	Description	Std Pkg
132-2755C	2755C LED Yel Headlamp Cls. 1, Div. 1, 3 AAA	6 ea

2780 LED Headlight



- Waterproof
- 4 AA Batteries Included
- 430 High Intensity Lumens
- Pivoting Head For Directional Beam (70°)
- 3 interchangeable Covers (Black, White, Photoluminescent)

Item #	Description	Std Pkg
132-2780	2780 LED Headlight 4 AA	6 ea

Rechargeable Headlamp - 2780R



- IPX7 Waterproof
- 60° Pivoting head
- 4AA Batteries included
- 430 High Intensity lumens
- 3 interchangeable covers (black, white, photoluminescent)

Item #	Description	Std Pkg
132-2780R	Rechargeable Headlamp - 430 Lumens	6 ea

1010 Micro Case



- Stainless steel hardware
- Watertight*, crushproof, and dustproof
- Rubber liner for extra protection

Item #	Description	Std Pkg
132-1010-MICRO	5.88" x 4.06" x 2.12" Micro Case - Black	6 ea

Micro Case - 1040



- Carabiner
- Easy open latch
- Watertight, crushproof, and dustproof
- Rubber liner for extra protection doubles as o-ring seal

Item #	Description	Std Pkg
132-1040-BLACK	7.5" x 5" x 2.12" Micro Case	6 ea

1170 Case with Foam



- Convoluted lid foam
- Strong and light weight
- Stainless steel hardware
- Easy open double throw latches
- Watertight, crushproof, dustproof

Item #	Description	Std Pkg
132-1170-BLACK	11.64" x 8.34" x 3.78" Black Case w/Foam	6 ea
132-1170-TAN	11.64" x 8.34" x 3.78" Tan Case w/Foam	6 ea

1200 Case with Foam



- Solid wall design
- Convoluted lid foam
- Easy open double throw latches
- Watertight, crushproof and dustproof

Item #	Description	Std Pkg
132-1200-BLACK	10.62" x 9.68" x 4.87" Black Case w/Foam	6 ea
132-1200-TAN	10.62" x 9.68" x 4.87" Tan Case w/Foam	6 ea

1300 Case with Foam



- Keeps water out
- Convoluted lid foam
- Double throw latches
- Stainless steel hardware
- Balances interior pressure
- Watertight, crushproof and dustproof

Item #	Description	Std Pkg
132-1300-BLACK	10.62" x 9.68" x 6.87" Black Case w/Foam	4 ea



Protector Case - 1300



- Interior: 9.17" x 7.00" x 6.12"
- Watertight, crushproof, and dustproof
- Pick N Pluck™ with convoluted lid foam

Item #	Description	Std Pkg
132-1300-YELLOW	Small Case w/Foam	4 ea

1400 Case with Foam



- O-ring seal
- Balances interior pressure
- Rubber over-molded handle
- Watertight, crushproof, dustproof
- Stainless steel padlock protectors

Item #	Description	Std Pkg
132-1400-TAN	13.37" x 11.62" x 6" Tan Case w/Foam	4 ea

1450 Case with Foam



- O-ring seal
- Convoluted lid foam
- Balances interior pressure
- Rubber over-molded handle
- Easy open double throw latches
- Watertight, crushproof, dustproof
- Stainless steel hardware and padlock protectors

Item #	Description	Std Pkg
132-1450-BLACK	16.54" x 13.03" x 6.84" Black Case w/Foam	4 ea
132-1450-TAN	16.54" x 13.03" x 6.84" Tan Case w/Foam	4 ea

Air Case - 1485TP



- Interior: 17.75" x 10.18" x 6.15"
- With TrekPak Divider System
- (2) perimeter pcs, (2) 15" dividers, (2) 18" dividers, cutting tool, 20 pins with 20 red pull tabs

Item #	Description	Std Pkg
132-1485TP-BLACK	19" x 13" x 7" Air Case TrekPak Insert	1 ea

1500 Case with Foam



- O-ring seal
- Convoluted lid foam
- Balances interior pressure
- Rubber over-molded handle
- Easy open double throw latches
- Watertight, crushproof, dustproof

Item #	Description	Std Pkg
132-1500-BLK	18.5" x 14.06" x 6.93" Black Case w/Foam	4 ea
132-1500-TAN	18.5" x 14.06" x 6.93" Tan Case w/Foam	4 ea

1520 Case with Foam



- O-ring seal
- Convoluted lid foam
- Balances interior pressure
- Rubber over-molded handle
- Easy open double throw latches
- Watertight, crushproof, dustproof

Item #	Description	Std Pkg
132-1520-BLACK	19.78" x 15.77" x 7.41" Black Case w/Foam	2 ea

1550 Case with Foam



- O-ring seal
- Convoluted lid foam
- Balances interior pressure
- Rubber over-molded handle
- Easy open double throw latches
- Watertight, crushproof, dustproof

Item #	Description	Std Pkg
132-1550-BLACK	20.62" x 16.87" x 8.12" Black Case w/Foam	2 ea
132-1550-TAN	20.62" x 16.87" x 8.12" Tan Case w/Foam	2 ea

Large Case - 1600-BLACK



- Watertight, crushproof, and dustproof
- 2 level Pick N Pluck™ with convoluted lid foam
- Automatic Pressure Equalization Valve
- Comfortable rubber over-molded handle

Item #	Description	Std Pkg
132-1600-BLACK	Large Case 24.25" x 19.43" x 8.68"	1 ea

Large Case - 1600-TAN



- Watertight, crushproof, and dustproof
- 2 level Pick N Pluck™ with convoluted lid foam
- Automatic Pressure Equalization Valve
- Comfortable rubber over-molded handle

Item #	Description	Std Pkg
132-1600-TAN	Large Case 24.25" x 19.43" x 8.68"	1 ea

1750 Case with Foam



- Strong polyurethane wheels with stainless steel bearings
- Balances interior pressure, keeps water out
- 3-piece foam set and fold down handles
- Watertight, crushproof, and dustproof

Item #	Description	Std Pkg
132-1750-TAN	53" x 6.12" x 12" Long Tan Case w/Foam	1 ea

Realtree Xtra Green Camo Gun Case



- Watertight
- In-line Wheels
- Guaranteed For Life
- Six Press & Pull Latches
- Four Padlockable Hasps
- Specialized molded foam interior

Item #	Description	Std Pkg
132-IM3300-00101	Realtree Xtra Green Camo Gun Case	1 ea



Fast Orange Hand Cleaner - Smooth



- Biodegradable, waterless, petroleum solvent-free hand cleaner
- Fortified with aloe, lanolin, glycerin and other skin conditioners
- Pure, fresh-smelling natural citrus scent
- Removes resins, oil, grease and more

Item #	Description	Std Pkg
236-23218	1 gal Smooth hand Cleaner	4 ea

Fast Orange Hand Cleaner - Pumice



- Fortified with aloe, lanolin, glycerin and other skin conditioners
- Biodegradable, waterless, petroleum solvent-free hand cleaner
- Pure, fresh-smelling, natural citrus scent
- Removes stubborn grease and grime

Item #	Description	Std Pkg
236-25108	7.5 oz Pumice Hand Cleaner Squeeze Bottle	12 ea

Fast Orange Hand Cleaner - Pumice



- Fortified with aloe, lanolin, glycerin and other skin conditioners
- Biodegradable, waterless, petroleum solvent-free hand cleaner
- Pure, fresh-smelling, natural citrus scent
- Removes stubborn grease and grime

Item #	Description	Std Pkg
236-25122	15 oz Pumice Hand Cleaner	12 ea

Fast Orange Hand Cleaner - Pumice



- Fortified with aloe, lanolin, glycerin and other skin conditioners
- Biodegradable, waterless, petroleum solvent-free hand cleaner
- Pure, fresh-smelling, natural citrus scent
- Removes stubborn grease and grime

Item #	Description	Std Pkg
236-25219	1 gal Pumice Hand Cleaner	4 ea

Fast Orange Xtreme Hand Cleaner - Pumice



- Cleaning power with less residue
- Refreshing orange scent with no lingering petroleum odor
- Counteracts the smells of gasoline and oil
- Advanced Skin Restoration conditioners protect hands against cracking and drying

Item #	Description	Std Pkg
236-25618	1 gal Xtreme Pumice Hand Cleaner	4 ea

Fast Orange Xtreme Hand Cleaner - Pumice 25619



- Cleaning power with less residue
- Light cherry scent with no lingering petroleum odor
- Counteracts the smells of gasoline and oil
- Advanced Skin Restoration conditioners protect hands against cracking and drying

Item #	Description	Std Pkg
236-25619	1 gal Xtreme Ultra Cherry Pumice Hand Cleaner	4 ea

Fast Orange Wipes



- Removes grease, tar, grime, ink, paints, sealants, and adhesives
- Each wipe has a textured side and smooth side
- Refreshing orange scent

Item #	Description	Std Pkg
236-25051	72 ct Wipes	6 ea

The Right Stuff Gasket Maker



- Blowout resistant
- Protects against leaks
- Leak-proof gaskets in 1 minute
- Sensor-safe and resists shop fluids
- Temperature range: -75°F to 450°F
- Elastomeric rubber gasket technology

Item #	Description	Std Pkg
236-33694	10 oz The Right Stuff Instant Gasket Maker	6 ea

The Right Stuff Gasket Maker



- Blowout resistant
- Protects against leaks
- Leak-proof gaskets in 1 minute
- Sensor-safe and resists shop fluids
- Temperature range: -75°F to 450°F
- Elastomeric rubber gasket technology

Item #	Description	Std Pkg
236-85224	7.50 oz The Right Stuff Gasket Maker	6 ea

Form-A-Gasket #1 Sealant



- Seals rigid materials, and patches holes and joints
- Resistant to gasoline and other solvents
- Resists common shop fluids and fuels
- Temperature range -65°F to 400°F
- Fast-drying, hard-setting sealant

Item #	Description	Std Pkg
236-80003	11 oz Form-A-Gasket #1 Sealant Tube	12 ea



Form-A-Gasket #1 Sealant



- Seals rigid materials, and patches holes and joints
- Resistant to gasoline and other solvents
- Resists common shop fluids and fuels
- Temperature range -65°F to 400°F
- Fast-drying, hard-setting sealant

Item #	Description	Std Pkg
236-80008	3 oz Form-A-Gasket #1 Sealant Tube	12 ea

Form-A-Gasket #2 Sealant



- Slow-drying
- Non-hardening sealant
- For use in environments up to 400°F
- Allows for easy disassembly if required
- Resistant to gasoline and other solvents
- Designed to dress, coat, or seal cut gaskets

Item #	Description	Std Pkg
236-80011	11 oz Form-A-Gasket #2 Sealant Tube	12 ea

Blue Silicone Gasket Maker



- Resists shrinking and cracking
- General purpose gasket maker
- Replaces almost any cut gasket
- Reliable 'formed-in-place' gaskets
- Temperature range: -65°F to 500°F

Item #	Description	Std Pkg
236-80022	3 oz Sensor-Safe Blue RTV Silicone Gasket Maker	12 ea

Blue Silicone Gasket Maker



- Resists shrinking and cracking
- General purpose gasket maker
- Replaces almost any cut gasket
- Reliable 'formed-in-place' gaskets
- Temperature range: -65°F to 500°F

Item #	Description	Std Pkg
236-81860	7.25 oz Blue RTV Silicone Gasket Maker	6 ea

Clear Silicone Gasket Maker



- Waterproof
- Clear RTV sealant
- Protects and repairs electrical wiring
- Resists oil, water, vibration, grease
- Temperature range: -75°F to 400°F

Item #	Description	Std Pkg
236-80050	3 oz RTV Clear Silicone Gasket Maker Tube	12 ea

Red Silicone Hi-Temp Gasket Maker



- Coats pre-cut gaskets to increase reliability
- Resists cracking, shrinking and migrating
- Makes reliable 'formed-in-place' gaskets
- Temperature range of -65°F to 650°F
- Replaces almost any cut gasket

Item #	Description	Std Pkg
236-81160	3 oz RTV Red Silicone Hi-Temp Gasket Maker	12 ea

Red Silicone Hi-Temp Gasket Maker



- Coats pre-cut gaskets to increase reliability
- Resists cracking, shrinking and migrating
- Makes reliable 'formed-in-place' gaskets
- Temperature range of -65°F to 650°F
- Replaces almost any cut gasket

Item #	Description	Std Pkg
236-81409	11 oz RTV Red Silicone Hi-Temp Gasket Maker	12 ea

Red Silicone Hi-Temp Gasket Maker



- Coats pre-cut gaskets to increase reliability
- Resists cracking, shrinking and migrating
- Makes reliable 'formed-in-place' gaskets
- Temperature range of -65°F to 650°F
- Replaces almost any cut gasket

Item #	Description	Std Pkg
236-85915	7.25 oz Hi-Temp Red RTV Silicone Gasket Maker	6 ea

Red RTV High-Temp Silicone Gasket Maker



- Formulated for high temp applications and heavy duty use
- Temp Range: -65°F to 650°F (-54°C to 343°C)
- Resists cracking, shrinking, and migrating caused by thermal cycling
- Resists auto and shop fluids

Item #	Description	Std Pkg
236-81915	7.25 oz Red RTV Silicone Adhesive Sealant	12 ea

Sensor-Safe Silicone Gasket Maker



- Color: Red
- Sensor safe
- Resists auto and shop fluids
- Temperature range of -65°F to 650°F
- Formulated for oxygen sensor equipped engines

Item #	Description	Std Pkg
236-81422	3 oz Hi-Temp RTV Silicone Gasket Maker	12 ea



Ultra Blue Silicone Gasket Maker



- Low odor
- Sensor safe
- Noncorrosive
- Vibration resistance to oils
- Temperature range -65°F to 500°F

Item #	Description	Std Pkg
236-81724	3.35 oz Ultra Blue RTV Silicone Gasket Maker	12 ea

Ultra Blue Silicone Gasket Maker



- Low odor
- Sensor safe
- Noncorrosive
- Vibration resistance to oils
- Temperature range -65°F to 500°F

Item #	Description	Std Pkg
236-81725	13 oz Ultra Blue RTV Silicone Gasket Maker	12 ea

Ultra Black Silicone Gasket Maker



- Low odor
- Sensor-safe
- Noncorrosive
- Fast-curing formula
- Oil resistant properties
- Temperature range -65°F to 500°F

Item #	Description	Std Pkg
236-82180	3.35 oz Ultra Black RTV Silicone Gasket Maker	12 ea

Ultra Black Silicone Gasket Maker



- Low odor
- Sensor-safe
- Noncorrosive
- Fast-curing formula
- Oil resistant properties
- Temperature range -65°F to 500°F

Item #	Description	Std Pkg
236-85080	9.5 oz Ultra Black Silicone Gasket Maker	6 ea

Ultra Gray Silicone Gasket Maker - 82194



- Low odor
- Sensor-safe
- Noncorrosive
- Oil resistance
- Joint movement tolerance
- Temperature range -65°F to 500°F

Item #	Description	Std Pkg
236-82194	3.5 oz Ultra Gray RTV Silicone Gasket Maker	12 ea

Thread Sealant w/ PTFE - 80632



- General purpose fitting sealant
- Out performs tapes and pipe dopes
- Remains pliable at higher and lower temperatures
- Seals and resists pressure in air, oil, diesel fuel and hydraulic systems

Item #	Description	Std Pkg
236-80632	4 oz Thread Sealant w/PTFE Bottle	12 ea

Thread Sealant w/ PTFE - 80633



- General purpose fitting sealant
- Out performs tapes and pipe dopes
- Remains pliable at higher and lower temperatures
- Seals and resists pressure in air, oil, diesel fuel and hydraulic systems

Item #	Description	Std Pkg
236-80633	16 oz Thread Sealant w/ PTFE Bottle	12 ea

Medium Strength Blue Threadlocker



- Prevents parts loosening due to vibration
- Ideal for all nut and bolt applications
- Protects threads from corrosion
- Medium strength threadlocker
- All-purpose
- Color: Blue

Item #	Description	Std Pkg
236-24200	6 ml Medium Strength Blue Threadlocker Tube	12 ea

Medium Strength Blue Threadlocker



- Prevents parts loosening due to vibration
- Ideal for all nut and bolt applications
- Protects threads from corrosion
- Medium strength threadlocker
- All-purpose
- Color: Blue

Item #	Description	Std Pkg
236-24240	36 ml Medium Strength Blue Threadlocker Bottle	6 ea

High Strength Red Threadlocker



- Permanently locks studs and press fits
- For heavy-duty applications 3/8" to 1"
- Replaces set screws and snap rings
- Locks against vibration loosening
- Adds 3,000 PSI holding power
- High strength threadlocker

Item #	Description	Std Pkg
236-27100	6 ml High Strength Red Threadlocker Tube	12 ea



High Strength Red Threadlocker



- Permanently locks studs and press fits
- For heavy-duty applications 3/8" to 1"
- Replaces set screws and snap rings
- Locks against vibration loosening
- Adds 3,000 PSI holding power
- High strength threadlocker

Item #	Description	Std Pkg
236-27140	36 ml High Strength Red Threadlocker Bottle	6 ea

Permanent Strength Red Threadlocker



- For fasteners 3/8" to 1" (10mm to 25mm)
- Designed to withstand heavy shock, vibration, or extreme chemical and environmental conditions
- Localized heating and hand tools are required to separate

Item #	Description	Std Pkg
236-26210	Permanent Strength Red Threadlocker 10 ml Tube	12 ea

Permanent Strength Red Threadlocker



- For fasteners 3/8" to 1" (10mm to 25mm)
- Designed to withstand heavy shock, vibration, or extreme chemical and environmental conditions
- Localized heating and hand tools are required to separate

Item #	Description	Std Pkg
236-26250	Permanent Strength Red Threadlocker 50 ml Bottle	6 ea

Copper Anti-Seize Lubricant



- Provides good electrical conductivity
- Temperature range: -30°F to 1800°F
- Copper anti-seize and thread lubricant
- Prevents seizing, corrosion and galling
- Fortified with rust and corrosion inhibitors

Item #	Description	Std Pkg
236-09128	8 oz Copper Anti-Seize Lubricant Brush-Top Bottle	6 ea

Copper Anti-Seize Lubricant



- Provides good electrical conductivity
- Temperature range: -30°F to 1800°F
- Copper anti-seize and thread lubricant
- Prevents seizing, corrosion and galling
- Fortified with rust and corrosion inhibitors

Item #	Description	Std Pkg
236-31163	16 oz Copper Anti-Seize Lubricant Brush-top Bottle	12 ea

Nickel Anti-Seize Lubricant



- Temperatures up to 2400°F
- Protects metal parts from seizing and galling
- Use with stainless steel, titanium & nickel alloys
- For use under conditions of extreme pressure & temperature

Item #	Description	Std Pkg
236-77164	16 oz Nickel Anti-Seize Lubricant Brush-top Bottle	10 ea

Anti-Seize Lubricant



- Blend of aluminum, copper and graphite lubricants
- Prevents galling, corrosion and seizing
- Temperature range: -60°F to 1600°F
- Salt, corrosion and moisture resistant
- Lubricant is ideal for marine use

Item #	Description	Std Pkg
236-80078	8 oz Anti-Seize Lubricant Brush-top Bottle	12 ea

Anti-Seize Lubricant



- Blend of aluminum, copper and graphite lubricants
- Prevents galling, corrosion and seizing
- Temperature range: -60°F to 1600°F
- Salt, corrosion and moisture resistant
- Lubricant is ideal for marine use

Item #	Description	Std Pkg
236-80208	16 oz Anti-Seize Lubricant Brush-top Bottle	12 ea

Belt Dressing & Conditioner



- Extends belt life
- Prevents belt slippage
- Restores pliability and flexibility
- Eliminates squeaking and slipping

Item #	Description	Std Pkg
236-80073	16 oz Belt Dressing & Conditioner	12 ea

Dr. Bond Super Glue



- Bonds materials in seconds
- Permanent, transparent bond
- Makes permanent repairs to most nonporous surfaces: metal, laminated plastics, rubber, ceramics

Item #	Description	Std Pkg
236-81737	2 g Dr. Bond Super Glue Tube	6 ea



Pipe Joint Compound



- Universal sealant
- Resists common shop fluids
- Temperature range -65°F to 400°F
- Lubricates and seals threaded joints on water, oil and fuel lines

Item #	Description	Std Pkg
236-80045	16 oz Pipe Joint Compound Bottle	12 ea

Non-Drying Prussian Blue



- Non-drying
- Easy clean-up
- Aids precision-fitting of machined surfaces
- Locates high spots on bearings, valves, gears

Item #	Description	Std Pkg
236-80038	.75 oz Prussian Blue Non- Drying	36 ea

Pneumatic & Hydraulic Sealant



- Controlled locking strength
- Contains no fillers or particles
- Reliably cures on "as received" fasteners
- For locking and sealing high pressure hydraulic & pneumatic systems

Item #	Description	Std Pkg
236-54540	32 ml Pneumatic & Hydraulic Sealant	6 ea



Multi-Surface Cleaner



- All-purpose cleaner and disinfectant
- Deodorizes and has a clean, fresh scent
- Kills germs, including salmonella, staph, Athlete's Foot fungus, and the flu

Item #	Description	Std Pkg
182-41773	60 oz Cleaner/Disinfectant	6 ea

Multi-Surface Cleaner



- All-purpose cleaner and disinfectant
- Deodorizes and has a clean, fresh scent
- Kills germs, including salmonella, staph, Athlete's Foot fungus, and the flu
- Convenient, larger, and economical size

Item #	Description	Std Pkg
182-35418	144 oz Cleaner/Disinfectant	3 ea

All Purpose Cleaner - Lemon



- Cleans, deodorizes and shines hard, nonporous surfaces
- For use on no-wax floors, tiles, walls, sinks, and countertops
- Leaves fresh, clean lemon fragrance

Item #	Description	Std Pkg
182-35419	144 oz Lemon All Purpose Cleaner	3 ea



34-845 MaxiFlex Endurance Glove



- Dotted palm
- Repels water and light oil
- Super light and breathable
- Coating keeps hands cool and dry
- Micro-foam nitrile dipped nylon gloves

Item #	Description	Std Pkg
217-34-845-L	Maxiflex Endurance Nitrile Coated Palm Gloves - L	1 doz
217-34-845-XL	Maxiflex Endurance Nitrile Coated Palm Gloves - XL	1 doz

34-8745 MaxiFlex Endurance Glove



- Super light and breathable
- Repels water and light oil
- Coating keeps hands cool and dry
- Impedes odors and eliminate germs
- Raised micro dots to increase durability
- Micro-foam nitrile dipped nylon gloves

Item #	Description	Std Pkg
217-34-8745-L	Maxiflex Endurance Micro-Dot Palm Gloves - L	1 doz

34-874 MaxiFlex Ultimate Glove



- Repels water and light oil
- Super light and breathable
- Coating keeps hands cool and dry
- Micro-foam nitrile dipped nylon gloves

Item #	Description	Std Pkg
217-34-874-L	Maxiflex Ultimate Nitrile Coated Palm Gloves - L	1 doz
217-34-874-XL	Maxiflex Ultimate Nitrile Coated Palm Gloves - XL	1 doz

34-875 MaxiFlex Ultimate Glove



- Repels water and light oil
- Super light and breathable
- Coating keeps hands cool and dry
- Micro-foam nitrile dipped nylon gloves

Item #	Description	Std Pkg
217-34-875L	Maxiflex Ultimate Nitrile Coated Palm Gloves - L	1 doz
217-34-875XL	Maxiflex Ultimate Nitrile Coated Palm Gloves - XL	1 doz



34-876 MaxiFlex Ultimate Glove



- Repels water and light oil
- Super light and breathable
- Seamless knit nylon gloves
- Coating keeps hands cool and dry
- Micro-foam nitrile dipped nylon gloves

Item #	Description	Std Pkg
217-34-876L	Maxiflex Ultimate Micro-Foam Grip Gloves - L	1 doz
217-34-876M	Maxiflex Ultimate Micro-Foam Grip Gloves - M	1 doz
217-34-876XL	Maxiflex Ultimate Micro-Foam Grip Gloves - XL	1 doz
217-34-876XXL	Maxiflex Ultimate Micro-Foam Grip Gloves - 2XL	1 doz

EZ-Cool FR Hard Hat Visor



- High visibility fabric
- Silver reflective tape
- Elastic at back for secure fit
- Drape at back to shade the neck
- Extended visor at front to block sun

Item #	Description	Std Pkg
217-396-801FR-YEL	Hard Hat Visor FR Neck & Eye Sun Protection	12 ea



All Weather Storage Case w/ Foam



- 18" x 8" x 14" w/foam insert
- Polypropylene material
- O-ring seal in lid
- Lockable latches
- Swivel handle

Item #	Description	Std Pkg
117-1065312	Black Large All Weather Storage Case	1 ea
117-1065408	Black XL Storage Case All-Weather	1 ea

All Weather Storage Case



- Polypropylene material
- O-ring seal in lid
- Lockable latches
- Swivel handle

Item #	Description	Std Pkg
117-1065313	Black Large All-Weather Storage Case	1 ea
117-1065409	Black XL Storage Case All-Weather	1 ea

Water Resistant Storage Box



- Brass latch
- Water resistant
- O-ring seal in lid
- Heavy-duty handle
- Durable high quality plastic

Item #	Description	Std Pkg
117-131200	12" x 5" x 7" Ammo/Storage Box Water Resistant	6 ea

Black Lockable Storage Trunk



- Lockable, reinforced removable lid
- Molded grooves for stacking
- Tie downs points on side

Item #	Description	Std Pkg
117-161900	56 qt / 14 gal Black Lockable Storage Trunk	3 ea

Black Lockable Storage Trunk



- Lockable, reinforced removable lid
- Molded grooves for stacking
- Tie downs points on side

Item #	Description	Std Pkg
117-171900	68 qt / 17 gal Black Lockable Storage Trunk	3 ea

Black Lockable Storage Trunk w/Wheels



- Weather-resistant design with integrated wheels
- 4 heavy-duty latches with 3 padlock tabs
- Tie-down brackets on each side

Item #	Description	Std Pkg
117-191900	110 qt / 27 gal Black Lockable Storage Trunk	3 ea

Black Grab-n-Go Tool Box



- Lift out tray
- Brass bailed latches
- Molded carry handle
- Graphite gray and black
- Two removable organizers

Item #	Description	Std Pkg
117-652009	20" Grab-n-go Black Tool Box w/Removable Tray	4 ea

Black Grab-n-Go Tool Box



- Lift out tray
- Brass bailed latches
- Molded carry handle
- Graphite gray and black
- Two removable organizers

Item #	Description	Std Pkg
117-682007	26" Grab-n-go Black Tool Box w/Removable Tray	2 ea

Black Power Tool Box



- Lift out tray
- Swivel handle
- Impact resistant
- Plastic tension latches
- Extra deep storage space

Item #	Description	Std Pkg
117-781002	22" Black Power Tool Box w/Removable Tray	2 ea



100 pc Straight Short



- Steel fittings with corrosion resistant plated finish
- Built-in ball check
- Engineered to withstand most farm, industrial and automotive applications

Item #	Description	Std Pkg
092-11-150	100 pc 1/8" NPT Straight Short Grease Fitting	1 box

100 pc Deluxe Assortment



Includes:

- 30 – 1/8" NPT Straight
- 2 – 1/8" 30° Angle
- 5 – 1/8" 45° Angle
- 5 – 1/8" 65° Angle
- 3 – 1/8" 90° Angle
- 40 – 1/4" NPT Straight
- 5 – 1/4" 90°
- 10 – 1/4" 45°

Item #	Description	Std Pkg
092-11-953	100 pc Deluxe Grease Fittings Assortment	1 box

50 pc Pipe Thread Assortment



Includes:

- 30 - 1/8" NPT Straight
- 10 - 1/8" NPT 45°
- 10 - 1/8" NPT 90°

Item #	Description	Std Pkg
092-11-954	50 pc Pipe Thread Grease Fitting Assortment	1 box

Standard Gun Coupler



- Fits all 1/8" NPT fittings
- 4500 PSI work pressure
- Spring loaded ball check valve
- Used for hand operated tool only

Item #	Description	Std Pkg
092-05-028	1/8" NPT Standard Grease Gun Coupler Bulk	10 ea
092-05-031	1/8" NPT Standard Grease Gun Coupler Carded	10 ea

12" Flex Hose



- 12" Flex hose
- 1/8" NPT male fittings
- 5,000 PSI

Item #	Description	Std Pkg
092-10-212	1/8" NPT x 12" Flex Grease Gun Hose (Carded)	10 ea
092-10-214	1/8" NPT x 12" Grease Gun Hose (Bulk)	10 ea

18" Flex Hose



- 18" Flex hose
- 1/8" NPT male fittings
- 3,000 PSI

Item #	Description	Std Pkg
092-10-201	1/8" NPT x 18" Economy Flex Grease Gun Hose	10 ea
092-10-218	1/8" NPT x 18" Grease Gun Hose (Bulk)	10 ea

Standard Duty Gun



- Develops 6000 PSI
- Delivers 1 oz of grease @ 40 strokes

Item #	Description	Std Pkg
092-30-200	14 oz Grease Gun Standard Duty	5 ea

Pistol Grip Gun



- Develops 5000 PSI
- 3-1/2" grease pipe & coupler
- One hand operation or bulk load

Item #	Description	Std Pkg
092-30-300	14 oz Grease Gun Pistol Grip Standard Duty	5 ea

Pistol Grip w/12" Flex Hose Gun



- With 12" flex hose
- Develops 5000 PSI
- 3-1/2" grease pipe & coupler
- One hand operation or bulk load

Item #	Description	Std Pkg
092-30-310	14 oz Grease Gun Pistol Grip w/12" Flex Hose	3 ea

Pro Pistol Grip w/18" Flex Hose Gun



- Variable stroke, Air bleeder valve
- Bulk load fitting
- Develops 7000 PSI
- 1 oz @ 40 strokes
- 3-way loading: cartridge ,bulk or suction

Item #	Description	Std Pkg
092-30-416	14 oz Grease Gun PRO Pistol Grip w/18" Flex Hose	1 ea



Industrial Gun 10,000 PSI



- Variable/short stroke
- Rugged fully zinc-plated finish
- 5-3/8 inch pipe and coupler and plated lever
- Dual port head cap with bulk loader fitting for 3-way loading: 14 ounce cartridge bulk or suction

Item #	Description	Std Pkg
092-30-465	14 oz Industrial Grease Gun 10,000 PSI	5 ea

Pro Gun 3-Way Loading Gun



- Heavy duty grease gun
- Variable/short stroke for easy use
- Develops up to 10000 PSI and delivers 1.8 ounces/40 strokes
- 5-3/8 inch pipe and coupler

Item #	Description	Std Pkg
092-30-475	14 oz Professional Grease Gun 3-Way Loading	5 ea

18V Battery Gun Kit



- 2 batteries
- 1 hour quick charge
- HD motor delivers 7500 PSI

Item #	Description	Std Pkg
092-30-730	18V Battery Operated Grease Gun Kit	1 ea

55 gal Barrel



- Tough all steel foot valve and piston valve
- Spout outer diameter: 3/4 inches
- Designed for heavy duty use
- Easy and simple use kit

Item #	Description	Std Pkg
092-55-123	55 gal HD Barrel Hand Pump	1 ea

55 gal Rotary 2-Vane



- Single direction 2-vane pump with rugged cast iron housing
- 42 inch steel suction pipe, Spout OD 1-1/16 inch
- 1 gallon per 18 revolutions
- For transferring non-corrosive petroleum-based fluids of light to medium viscosity

Item #	Description	Std Pkg
092-55-303	55 gal Hand Rotary Drum 2-Vane Pump	1 ea

1 QT Galvanized Funnel



- 3/4" OD tip
- 6" Diameter
- 7" OA length
- 6 Quart capacity

Item #	Description	Std Pkg
092-75-001	1 qt x 6" Diameter Steel Galvanized Funnel	1 ea

6 QT Galvanized Offset Funnel



- 11" OA length
- 5 Quart capacity
- 1-1/4" OD tip w/screen

Item #	Description	Std Pkg
092-75-002	6 qt x 8" Diameter Steel Galvanized Offset Funnel	1 ea

2 QT Galvanized Funnel



- 3/4" OD tip
- 8" Diameter
- 8" OA length
- 2 Quart capacity

Item #	Description	Std Pkg
092-75-003	2 qt x 8" Diameter Steel Galvanized Funnel	1 ea

8 QT Galvanized Tractor Funnel



- 1" OD tip
- 12" OA length
- 9-1/2" Diameter
- 8 Quart capacity

Item #	Description	Std Pkg
092-75-004	8 qt x 9-1/2" Diameter Galvanized Tractor Funnel	1 ea

24 OZ Galvanized Funnel w/ Screen



- 24 oz Capacity
- 5-3/4" Diameter
- 17-1/2" Length
- Flex hose w/screen

Item #	Description	Std Pkg
092-75-007	24 oz x 5 3/4" Diameter Galvanized Funnel	10 ea

8 QT Galvanized Tractor Lock-On Funnel



- 10" Diameter
- 8 Quart capacity
- 11-1/2" OA length
- 1-1/4" OD tip w/screen

Item #	Description	Std Pkg
092-75-008	8 qt x 10" Diameter Galvanized Tractor Funnel	1 ea



7 PT Galvanized Funnel



- 3/4" OD tip
- 7 Pint capacity
- 9-3/4" Diameter
- 8-3/4" OA length

Item #	Description	Std Pkg
092-75-017	7 pt x 9-3/4" Diameter Steel Galvanized Funnel	1 ea

32 OZ Tin Coated Funnel



- 3/4" OD tip
- 6" Diameter
- 32 oz Capacity
- 7-1/2" OA length

Item #	Description	Std Pkg
092-75-011	32 oz x 6" Diameter Tin-Coated Utility Funnel	12 ea

3 Gal Radiator Filler



- Color: Black
- 3 gallon capacity
- Tough polyethylene material
- Impervious to oil, gas & anti-freeze

Item #	Description	Std Pkg
092-75-025	3 gal Plastic Radiator Filler	1 ea

8 OZ Plastic Funnel



- 1/2" OD tip
- 5" OA length
- 8 oz Capacity
- 4-1/2" Diameter

Item #	Description	Std Pkg
092-75-060	8 oz x 4-1/2" Diameter Plastic Funnel	20 ea

16 OZ Plastic Funnel



- 3/4" OD tip
- 6" Diameter
- 16 oz Capacity
- 5-1/2" OA length

Item #	Description	Std Pkg
092-75-062	16 oz x 6" Diameter Plastic Funnel	24 ea

48 OZ Plastic Funnel



- 1" OA tip
- 8" Diameter
- 7" OA length
- 48 oz Capacity

Item #	Description	Std Pkg
092-75-064	48 oz x 8" Diameter Plastic Funnel	24 ea

2 QT Plastic Funnel



- 1" OD tip
- 7" Diameter
- 9" OA length
- 2 Quart capacity

Item #	Description	Std Pkg
092-75-070	2 qt x 7" Diameter Poly Plastic Funnel	10 ea

6 QT Plastic Funnel



- 9" Diameter
- 1-1/2" OD tip
- 11" OA length
- 6 Quart capacity

Item #	Description	Std Pkg
092-75-072	6 qt x 9" Diameter Poly Plastic Funnel	5 ea

Galvanized Measure w/ Flex Spout



- Galvanized
- 1/2" OD tip
- Flexible spout
- 2 qt or 4 qt filler
- 9-1/2" or 11" OA height

Item #	Description	Std Pkg
092-75-442	2 Qt Galvanized Measure w/Flex Spout	6 ea
092-75-444	4 Qt Galvanized Measure w/Flex Spout	6 ea

4 QT Painted Measure



- 1/2" OD tip
- 4 qt Black filler
- 9-1/2" OA height
- Flexible spout
- Thumb release

Item #	Description	Std Pkg
092-75-664	4 qt Painted Measure w/Flex Spout	1 ea

8 QT Painted Measure



- 8 qt black metal filler
- 11-1/2" OA height
- 1/2" OD tip, flex spout
- Thumb release
- Side & top handle

Item #	Description	Std Pkg
092-75-668	8 qt Painted Measure w/Flex Spout	1 ea

Galvanized Water Pail



- 12 qt pail
- Galvanized
- 9-1/2" OA height
- Fold down handle

Item #	Description	Std Pkg
092-75-825	12 qt x 11" Diameter Galvanized Metal Water Pail	6 ea



Rubber Air Hose



- Red rubber air hose
- -20° to 165° temp. range
- 300 PSI working pressure
- 1/4" male NPT brass fittings

Item #	Description	Std Pkg
092-552-50AE	3/8" x 50' Red Rubber Air Hose 300 PSI	1 ea

Female Coupler



- Maximum working pressure 300 PSI
- 1/4" Industrial Interchange Series Type "D"
- Brass, steel plated, hardened steel balls, and stainless steel springs

Item #	Description	Std Pkg
092-C20B	1/4" NPT Air Coupler Female Quick-Disconnect	10 ea

1/4" NPT Steel Plug



- Maximum working pressure 300 PSI
- 1/4" Industrial Interchange Series Type "D"
- Steel plated, hardened steel balls, and stainless steel springs

Item #	Description	Std Pkg
092-CP20	1/4" NPT Steel Plug 1/4" Female	10 ea

1/4" x 1/4" MNPT Plug



- Maximum working pressure 300 PSI
- 1/4" Industrial Interchange Series Type "D"
- Steel plated, hardened steel balls, and stainless steel springs

Item #	Description	Std Pkg
092-CP21	1/4" I/M X 1/4" MNPT Plug To Std Quick Connect	10 ea

Truck Tire Gauge



- Designed for high pressure tires
- Calibrated 2 sides 20-120 PSI in 2lb increments
- Calibrated 2 sides 160-880 kPa in 20 kPa increments
- Carded and 10/master

Item #	Description	Std Pkg
092-17-527	20-120 lbs Truck Tire Gauge 2 Sided	10 ea

Blowgun Rubber Tip



- An oil resistant, soft replaceable rubber tip
- Will not mar delicate surfaces
- Provides a leak proof seal
- Allows full line pressure to be used

Item #	Description	Std Pkg
092-18-207	1/4" Blowgun Rubber Tip NPT Female	5 ea



Primer



- Solvent based primer
- Dries to a smooth, uniform finish
- Ideal for hand brushed application
- Provides a smooth instant tack surface
- For rough or grit-blasted pipeline surfaces

Item #	Description	Std Pkg
206-1027-1GAL	Primer Gal 614403	4 ea

Polyken Pipe Wrap - #900



- 12 mil
- Protects from corrosion
- Cold applied tape coating
- Pliable, malleable and versatile

Item #	Description	Std Pkg
206-90012-2B	2" X100' Black #900 12mil 615009	24 ea
206-90012-4B	4" X100' Black #900 12mil 615014	12 ea

Polyken Pipe Wrap - #930



- No release liner
- Heavy duty adhesive
- Protects from corrosion
- Pliable, malleable, versatile

Item #	Description	Std Pkg
206-93035-2B	2" X50' Black #930 35mil Pipe Wrap Tape 615993	24 ea
206-93035-4B	4" X50' Black #930 35 Mil Pipe Wrap Tape 615994	12 ea
206-93035-6B	6" X50' Black #930 35mil 615979	8 ea

Polyken Pipe Wrap - #934



- 35 mil
- Color: White
- Protects from corrosion
- Pliable, malleable and versatile
- Cold applied tape coating system

Item #	Description	Std Pkg
206-93435-4W	4" X50' White #934 35mil 614006	12 ea



Diesel Fuel Supplement



- Reliquesfies gelled fuel
- De-ices frozen fuel-filters
- Prevents fuel-filter icing
- Removes water
- Contains slickdiesel lubricator

Item #	Description	Std Pkg
253-1016-09	16 oz Diesel Fuel Supplement Treats Up To 40 gal	9 ea
253-1025-12	32 oz Diesel Fuel Supplement Treats Up To 100 gal	12 ea
253-1080-06	80 oz Diesel Fuel Supplement Treats Up To 250 gal	6 ea



911 Diesel Winter Rescue Formula



- Boosts cetane
- Faster cold starts
- Prevents fuel gelling
- Prevents fuel-filter icing
- Safe for all diesel engines
- Contains slickdiesel lubricator

Item #	Description	Std Pkg
253-8016-09	16 oz 911 Diesel Formula Treats Up To 40 gal	9 ea
253-8025-12	32 oz 911 Diesel Formula Treats 30 To 75 Gals	12 ea
253-8080-06	80 oz 911 Diesel Formula Treats 100 To 200 gal	6 ea

Kleen Diesel Cetane Boost



- Boosts cetane up to 6 numbers
- Boosts power – reduces downshifting
- Improves fuel economy up to 8%
- Contains slickdiesel lubricator
- Removes deposits on injectors and nozzle tips

Item #	Description	Std Pkg
253-3025-12	32 oz Kleen Diesel Treats Up To 100 gal	12 ea



Cotter Pin Assortment - 600 pc



- Strong, flexible zinc plated steel pins
- One prong extended for easy bending
- Pins also have chisel point ends

Item #	Description	Std Pkg
039-12905	600 pc Cotter Pin Assortment 1/16-5/32"	1 ea

Cotter Pin Assortment - 1500 pc



- Strong, flexible zinc plated steel pins
- One prong extended for easy bending
- Pins also have chisel point ends

Item #	Description	Std Pkg
039-12906	1500 pc Cotter Pin Assortment Kit	1 ea

Hitch Pin Clip Assortment - 150 pc



- Reusable, quick release pins for fast assembly
- Made of spring steel to maintain tension

Item #	Description	Std Pkg
039-12915	150 pc Hitch Pin Assortment 1/16-3/16"	1 ea

Roll Pin Assortment - 300 pc



- Made of flexible spring steel
- Cold rolled, hardened and tempered
- Chamfered ends simplify tension

Item #	Description	Std Pkg
039-12925	300 pc Roll Pin Assortment 1/16-3/8"	1 ea

O-Ring Assortment - 300 pc



- Made of BUNA-N 70 durometer rubber compound
- Creates a tight seal for fluid or gas connections
- Various sizes for 1/8", 1/16", and 3/32" bodies

Item #	Description	Std Pkg
039-12930	300 pc O-Ring Assmt Buna-N 70 Rubber Compound	1 ea

Grease Fitting Assortment - 90 pc



- Push type, plated fittings
- Permits lubricant to flow while built-in ball prevents dirt from entering
- NPT - straight, 45°, & 90° in 1/4" and 1/8" sizes

Item #	Description	Std Pkg
039-12945	90 pc Grease Fitting Assort. Various Styles	1 ea

Metric Grease Fitting Assortment - 95 pc



- Push type, plated fittings, METRIC
- Permits lubricant to flow while built-in ball prevents dirt from entering
- NPT – straight, 45° & 90° in 6, 8, & 10 mm sizes

Item #	Description	Std Pkg
039-13975	95 pc Metric Grease Fitting Assmt 6,8,10mm	1 ea



Plain Flagging Tape



- Length: 300'
- Width: 1-3/16"

Item #	Description	Std Pkg
066-BLACK	1-3/16" x 300' Black Flagging Tape	12 ea
066-BLUE	1-3/16" x 300' Blue Flagging Tape	12 ea
066-GREEN	1-3/16" x 300' Green Flagging Tape	12 ea
066-ORANGE	1-3/16" x 300' Orange Flagging Tape	12 ea
066-PINK	1-3/16" x 300' Pink Flagging Tape	12 ea
066-PURPLE	1-3/16" x 300' Purple Flagging Tape	12 ea
066-RED	1-3/16" x 300' Red Flagging Tape	12 ea
066-WHITE	1-3/16" x 300' White Flagging Tape	12 ea
066-YELLOW	1-3/16" x 300' Yellow Flagging Tape	12 ea



Glo Flagging Tape



- Length: 300'
- Width: 1-3/16"

Item #	Description	Std Pkg
066-BLUEGLO	1-3/16" x 150' Blueglo Flagging Tape	12 ea
066-GREENGLO	1-3/16" x 150' Greenglo Flagging Tape	12 ea
066-LIMEGLO	1-3/16" x 150' Limeglo Flagging Tape	12 ea
066-ORANGEGLO	1-3/16" x 150' Orangeglo Flagging Tape	12 ea
066-PINKGLO	1-3/16" x 150' Pinkglo Flagging Tape	12 ea
066-PURPLEGLO	1-3/16" x 150' Purpleglo Flagging Tape	12 ea
066-REDGLO	1-3/16" X 150' Redglo Flagging Tape	12 ea
066-YELLOWGLO	1-3/16" x 150' Yellowglo Flagging Tape	12 ea

Patterned Flagging Tape



- Length: 300'
- Width: 1-3/16"

Item #	Description	Std Pkg
066-BLUE/BLACK	Blue & Black Flagging Tape	12 ea
066-SW/BL	White & Blue Flagging Tape Patterned	12 ea
066-WH/GR	White & Green Striped Flagging Tape Patterned	12 ea

2" x 3" Marking Flag



- Wind tear resistant
- Flag is glued to staff – not wrapped
- Alloy steel wire staffs

Item #	Description	Std Pkg
066-2X3X21-BLUE	2" x 3" x 21" Blue Flag	100 ea
066-2X3X21-GREEN	2" x 3" x 21" Green Flag	100 ea
066-2X3X21-ORG	2" x 3" x 21" Orange Flag	100 ea
066-2X3X21-PINK	2" x 3" x 21" Pink Flag	100 ea
066-2X3X21-RED	2" x 3" x 21" Red Flag	100 ea
066-2X3X21-WHT	2" x 3" x 21" White Flag	100 ea
066-2X3X21-YELL	2" x 3" x 21" Yellow Flag	100 ea

4" x 5" Marking Flag



- Wind tear resistant
- Flag is glued to staff – not wrapped
- Alloy Steel wire staffs

Item #	Description	Std Pkg
066-4X5X21-BLUE	4" x 5" x 21" Blue Flag	100 ea
066-4X5X21-YELLOW	4" x 5" x 21" Yellow Flag	100 ea
066-4X5X24-ORG	4" x 5" x 24" Orange Flag	100 ea
066-4X5X24-RED	4" x 5" x 24" Red Flag	100 ea
066-4X5X24-WHITE	4" x 5" x 24" White Flag	100 ea
066-4X5X24-YELLOW	4" x 5" x 24" Yellow Flag	100 ea
066-4X5X36-GREEN	4" x 5" x 36" Green Flag	100 ea
066-4X5X36-ORAN	4" x 5" x 36" Orange Flag	100 ea
066-4X5X36-ORANGLO	4" x 5" x 36" Orange Glo Flag	100 ea
066-4X5X36-RED	4" x 5" x 36" Red Flag	100 ea
066-4X5X36-WHITE	4" x 5" x 36" White Flag	100 ea
066-4X5X36-YELLOW	4" x 5" x 36" Yellow Flag	100 ea



50 Outdoor Extension Cord - Orange



- Ultra Flexible
- Water Resistant
- Flame Retardant
- Abrasion Resistant
- Corrosion Resistant

Item #	Description	Std Pkg
268-EC501730	50' 14/3 Ext Cord Org. Outdoor	8 ea

100 Outdoor Extension Cord



- Ultra Flexible
- Water Resistant
- Flame Retardant
- Abrasion Resistant
- Nickel-Coated Brass Blades Resist Corrosion

Item #	Description	Std Pkg
268-EC501735	100' 14/3 Ext Cord Org. Outdoor	4 ea

25 Primelight Extension Cord



- 25' Cord
- 12/3 Gauge
- Water resistant
- Flame retardant
- Primelight® Indicator Light®

Item #	Description	Std Pkg
268-EC511825	25' 12/3 Ext Cord Yel W/lighted Ends	8 ea

50 Outdoor Extension Cord - Lighted End



- Ultra Flexible
- Water Resistant
- Flame Retardant
- Abrasion Resistant
- Primelight® Indicator Light
- Nickel-Coated Brass Blades Resist Corrosion

Item #	Description	Std Pkg
268-EC511830	50' 12/3 Ext Cord Yel W/lighted Ends	5 ea

100 Outdoor Extension Cord - Extension



- 100', 12 gauge
- Water Resistant
- Flame Resistant
- Primelight Indicator Light

Item #	Description	Std Pkg
268-EC511835	100' 12/3 Ext Cord Yel W/lighted Ends	3 ea



50 Primelight Tri-Tap Extension Cord



- 12/3 Gauge
- Water resistant
- Flame retardant
- 50' Triple Tap Cord
- Primelight® Indicator Light®

Item #	Description	Std Pkg
268-EC611830	50' 12/3 Ext Cord Yel Tri-tap W/lighted End	5 ea

50 All Weather Extension Cord



- 50' Cord
- 14/3 Gauge
- Water resistant
- Flame retardant
- Primelight® indicator light
- Primelok® locking connector

Item #	Description	Std Pkg
268-LT530730	50' 14/3 Ext Cord W/lighted Ends Artic	8 ea

25 All Weather Extension Cord - Primelight



- Flame Retardant
- Abrasion Resistant
- Water & Oil Resistant
- Primelight® Indicator Light
- Flexible Temperature Range (-58F - +221F)

Item #	Description	Std Pkg
268-LT630825	25' 12/3 Ext. Cord Lighted Ends Triple Tap Arctic	8 ea

50 All Weather Extension Cord - Primelight



- Flame Retardant
- Abrasion Resistant
- Water & Oil Resistant
- Primelight® Indicator Light
- Temperature Range: -58°F through 221°F

Item #	Description	Std Pkg
268-LT630830	50' 12/3 Ext. Cord Lighted Ends Triple Tap Arctic	5 ea

100 All Weather Extension Cord - Primelight



- Flame Retardant
- Abrasion Resistant
- Water & Oil Resistant
- Primelight® Indicator Light
- Flexible Temperature Range (-58F - +221F)

Item #	Description	Std Pkg
268-LT630835	100' 12/3 Ext. Cord Lighted Ends Triple Tap Arctic	3 ea

25 All Weather Extension Cord



- Flame Retardant
- Water Resistant
- Primelight® Indicator Light
- 50' Cord and 14/3 gauge
- Primelok® locking connector

Item #	Description	Std Pkg
268-LT530725	25' 14/3 Ext Cord Blu/org w/lighted Ends	8 ea

50 Bulldog Tough Extension Cord



- Water & Oil Resistant
- Flame Retardant
- Abrasion Resistant
- Temperature Range: -58°F to 221°F
- Primelight® Indicator Light

Item #	Description	Std Pkg
268-LT511930	50' 10/3 Ext. Cord BulldogTough Lighted Indicator	4 ea

In-Line GFCI Triple Tap Adapter - Primelight



- Water Resistant
- Flame Retardant
- Ultra Flexible
- Nickel-Coated Brass Blades Resist Corrosion
- Primelight® Indicator Light

Item #	Description	Std Pkg
268-GF320803	3' 12/3 GFCI In-line GFCI Triple Tap Cord Adapter	8 ea

In-Line GFCI Triple Tap Adapter



- Water Resistant
- Flame Retardant
- Ultra Flexible
- Nickel-Coated Brass Blades Resist Corrosion

Item #	Description	Std Pkg
268-GF420802	2' 12/3 GFCI Plug Triple Tap Cord Adapter	12 ea

3-Outlet Adapter



- 3 outlets
- Outdoor rated when used with a 12/3 or larger extension cord

Item #	Description	Std Pkg
268-PBAD0200	12/3 90° 3-Way Adapter Yellow Triple Tap	16 ea



2 Bulldog Tough Tri-Tap Adapter



- 12/3 gauge
- Flame retardant
- Abrasion resistant
- 2' triple tap adapter
- Water & oil resistant

Item #	Description	Std Pkg
268-AD050802	2' 12/3 Tri-tap Adapter Standard YW Style	8 ea

Portable Worklight



- Portable
- Tempered glass lens w/ wire grill for safety
- 500 Watt bulb

Item #	Description	Std Pkg
268-HL500W03	500W Portable Light 3' 18/3 Yellow	6 ea

Dual Head Worklight



- Two 500 Watt Halogen Lights
- Adjustable stand up to 5' tall
- Telescope, detachable tripod

Item #	Description	Std Pkg
268-HLT500X2	5' 18/3 Worklight 1000W Halogen Tripod Stand	2 ea

50 String Lights



- Molded-On, Weather Resistant Lampholders
- Dipped Plastic Bulb Guards
- 5 sockets for 50ft, 10 ft intervals
- 150 Watt Maximum Bulb Wattage Each Socket

Item #	Description	Std Pkg
268-LSUG2830	50' String Lights Yellow 12/3 SJTW	1 ea

10" Heat Lamp



- Anodized Aluminum Reflector & Bulb Guard
- Heavy-Duty Clamp Included
- Porcelain Socket w/ Hanging Hook
- Uses 250 Watt Type "PS" Bulb (Bulb Not Included)

Item #	Description	Std Pkg
268-BL081506	8'12/2 10" Heat Lamp Brooder Style 250Watt	4 ea



1/2" Drive 19 pc Impact Socket Set - 6 Point



- 1/2" dr. 6 pt Regular Impact Sockets 3/8"-1-1/2"
- 17" and 9" Clip Bars with Clips
- Black Finish

Item #	Description	Std Pkg
035-74106	1/2" Dr 19 pc Impact Socket Set - 6 Pt	1 set

1/2" Drive 15 pc Deep Impact Socket Set - 6 Point



- **Sizes:** 3/8, 7/16, 1/2, 9/16, 5/8, 11/16, 3/4, 13/16, 7/8, 15/16, 1, 1-1/16, 1-1/8, 1-3/16, 1-1/4"
- 6-1/4" Socket Bar, 17" Socket Bar, 1/2 DR Socket Clips

Item #	Description	Std Pkg
035-74114	1/2" Dr 15 pc Deep Impact Socket Set - 6 Pt	1 set

1/2" Drive 19 pc Deep Impact Socket Set - 6 Point



- **Sizes:** 3/8, 7/16, 1/2, 9/16, 5/8, 11/16, 3/4, 13/16, 7/8, 15/16, 1, 1-1/16, 1-1/8, 1-3/16, 1-1/4, 1-5/16, 1-3/8, 1-7/16 & 1-1/2"
- 9" Socket Bar, 17" Socket Bar, 1/2 DR Socket Clips

Item #	Description	Std Pkg
035-74116	1/2" Dr 19 pc Deep Impact Socket Set - 6 Pt	1 set

3/8" Drive 19 pc Metric Impact Socket Set - 6 Point



- 3/8" dr. 6 pt. Regular Impact Sockets 6 mm-24 mm
- 17" Clip Bar with Clips
- Black Finish

Item #	Description	Std Pkg
035-72206	3/8" Dr 19 pc Metric Impact Socket Set - 6 Pt	1 set

3/8" Drive 19 pc Metric Deep Impact Socket Set - 6 Point



- 3/8" dr. 6 pt Deep Impact Sockets 6 mm-17 mm
- 17" Clip Bar with Clips
- Black Finish

Item #	Description	Std Pkg
035-72216	3/8" Dr 19 pc Metric Deep Impact Socket Set - 6 Pt	1 set



3/4" Drive 15 pc Impact Socket Set - 6 Point



- 3/4" dr. 6 pt. Regular Impact Sockets 3/4"-1-5/8"
- 17" Clip Bar with Clips
- Black Finish

Item #	Description	Std Pkg
035-73105	3/4" Dr 15 pc Impact Socket Set - 6 Pt	1 set

3/4" Drive Deep Impact Sockets - 6 Point



- 3/4" Drive
- 6 Point
- Deep Impact

Item #	Description	Std Pkg
035-07512L	3/4" Dr x 3/4" Deep Impact Socket 6pt	6 ea
035-07513L	3/4" Dr x 13/16" Deep Impact Socket 6pt	6 ea
035-07514L	3/4" Dr x 7/8" Deep Impact Socket 6pt	6 ea
035-07515L	3/4" Dr x 15/16" Deep Impact Socket 6pt	6 ea
035-07516L	3/4" Dr x 1" Deep Impact Socket 6pt	6 ea
035-07517L	3/4" Dr x 1-1/16" Deep Impact Socket 6pt	6 ea
035-07518L	3/4" Dr x 1-1/8" Deep Impact Socket 6pt	6 ea
035-07519L	3/4" Dr x 1-3/16" Deep Impact Socket 6pt	6 ea
035-07520L	3/4" Dr x 1-1/4" Deep Impact Socket 6pt	6 ea
035-07521L	3/4" Dr x 1-5/16 Deep Impact Socket 6pt	6 ea
035-07522L	3/4" Dr x 1-3/8" Deep Impact Socket 6pt	6 ea
035-07523L	3/4" Dr x 1-7/16" Deep Impact Socket 6pt	6 ea
035-07525L	3/4" Dr x 1-9/16" Deep Impact Socket 6pt	6 ea
035-07526L	3/4" Dr x 1-5/8" Deep Impact Socket 6pt	6 ea
035-07527L	3/4" Dr x 1-11/16" Deep Impact Socket 6pt	6 ea
035-07528L	3/4" Dr x 1-3/4" Deep Impact Socket 6pt	6 ea
035-07529L	3/4" Dr x 1-3/16" Deep Impact Socket 6pt	6 ea
035-07532L	3/4" Dr x 2" Deep Impact Socket 6pt	6 ea

3/4" Drive Impact Sockets - 12 Point



- 3/4" Drive
- 12 Point
- Deep Impact

Item #	Description	Std Pkg
035-07516T	3/4" Dr x 1" Impact Socket 12pt	6 ea
035-07517T	3/4" Dr x 1-1/16" Impact Socket 12pt	6 ea
035-07518T	3/4" Dr x 1-1/8" Impact Socket 12pt	6 ea
035-07519T	3/4" Dr x 1-3/16" Impact Socket 12pt	6 ea
035-07520T	3/4" Dr x 1-1/4" Impact Socket 12pt	6 ea
035-07521T	3/4" Dr x 1-5/16" Impact Socket 12pt	6 ea
035-07522T	3/4" Dr x 1-3/8" Impact Socket 12pt	6 ea
035-07523T	3/4" Dr x 1-7/16" Impact Socket 12pt	6 ea
035-07524T	3/4" Dr x 1-1/2" Impact Socket 12pt	6 ea
035-07525T	3/4" Dr x 1-9/16" Impact Socket 12pt	6 ea
035-07526T	3/4" Dr x 1-5/8" Impact Socket 12pt	6 ea
035-07527T	3/4" Dr x 1-11/16" Impact Socket 12pt	6 ea
035-07528T	3/4" Dr x 1-3/4" Impact Socket 12pt	6 ea
035-07529T	3/4" Dr x 1-13/16" Impact Socket 12pt	6 ea
035-07530T	3/4" Dr x 1-7/8" Impact Socket 12pt	6 ea

3/4" Drive Impact Socket - 6 Point



- 3/4" Drive
- 6 Point
- Deep Impact

Item #	Description	Std Pkg
035-07516	3/4" Dr x 1" Impact Socket 6pt	6 ea
035-07517	3/4" Dr x 1-11/16" Impact Socket 6pt	6 ea
035-07521	3/4" Dr x 1-5/16" Impact Socket 6pt	6 ea
035-07524	3/4" Dr x 1-1/1" Impact Socket 6pt	6 ea
035-07529	3/4" Dr x 1-13/16" Impact Socket 6pt	6 ea
035-07530	3/4" Dr x 1-7/8" Impact Socket 6pt	6 ea
035-07532	3/4" Dr x 2" Impact Socket 6pt	6 ea
035-07538	3/4" Dr x 2-3/8" Impact Socket 6pt	6 ea

1" Drive Impact Socket - 6 Point



- Ideal for use on stubborn or damaged fasteners
- Quick and easy socket engagement to the fastener flats
- Employs a radius-corner design that minimizes slippage

Item #	Description	Std Pkg
035-10012	1" Dr x 3/4" Impact Socket 6pt	6 ea
035-10014	1" Dr x 7/8" Impact Socket 6pt	6 ea
035-10016	1" Dr x 1" Impact Socket 6pt	6 ea
035-10018	1" Dr x 1-1/8" Impact Socket 6pt	6 ea
035-10020	1" Dr x 1-1/4" Impact Socket 6pt	6 ea
035-10021	1" Dr x 1-5/16" Impact Socket 6pt	6 ea
035-10022	1" Dr x 1"-3/8" Impact Socket 6pt	6 ea
035-10023	1" Dr x 1-7/16" Impact Socket 6pt	6 ea
035-10024	1" Dr x 1-1/2" Impact Socket 6pt	6 ea
035-10026	1" Dr x 1-5/8" Impact Socket 6pt	6 ea
035-10028	1" Dr x 1-3/4" Impact Socket 6pt	6 ea
035-10029	1" Dr x 1-3/16" Impact Socket 6pt	6 ea
035-10030	1" Dr x 1-7/8" Impact Socket 6pt	6 ea
035-10032	1" Dr x 2" Impact Socket 6pt	6 ea
035-10034	1" Dr x 2-1/8" Impact Socket 6pt	6 ea
035-10035	1" Dr x 2-3/16" Impact Socket 6pt	6 ea
035-10038	1" Dr x 2-3/8" Impact Socket 6pt	6 ea
035-10040	1" Dr x 2-1/2" Impact Socket 6pt	6 ea
035-10041	1" Dr x 2-9/16" Impact Socket 6pt	6 ea
035-10044	1" Dr x 2-3/4" Impact Socket 6pt	6 ea
035-10047	1" Dr x 2-15/16" Impact Socket 6pt	6 ea

1" Drive Deep Impact Socket - 6 Point



- Ideal for use on stubborn or damaged fasteners
- Quick and easy socket engagement to the fastener flats
- Employs a radius-corner design that minimizes slippage

Item #	Description	Std Pkg
035-10016L	1" Dr x 1" Deep Impact Socket 6pt	6 ea
035-10018L	1" Dr x 1-1/8" Deep Impact Socket 6pt	6 ea
035-10020L	1" Dr x 1-1/4" Deep Impact Socket 6pt	6 ea
035-10023L	1" Dr x 1-7/16" Deep Impact Socket 6pt	6 ea
035-10026L	1" Dr x 1-5/16" Deep Impact Socket 6pt	6 ea
035-10030L	1" Dr x 1-7/16" Deep Impact Socket 6pt	6 ea
035-10032L	1" Dr x 2" Deep Impact Socket 6pt	6 ea
035-10034L	1" Dr x 2-1/8" Deep Impact Socket 6pt	6 ea
035-10037L	1" Dr x 2-5/16" Deep Impact Socket 6pt	6 ea



1" Drive Metric Impact Socket - 6 Point



- Ideal for use on stubborn or damaged fasteners
- Quick and easy socket engagement to the fastener flats
- Employs a radius-corner design that minimizes slippage

Item #	Description	Std Pkg
035-10030M	1" Dr x 30mm Impact Socket 6pt	6 ea

1/2" Drive Impact Socket - 6 Point



- Ideal for use on stubborn or damaged fasteners
- Quick and easy socket engagement to the fastener flats
- Employs a radius-corner design that minimizes slippage

Item #	Description	Std Pkg
035-7412H	1/2" Dr x 1/2" Impact Socket 6pt	6 ea
035-7414H	1/2" Dr x 7/16" Impact Socket 6pt	6 ea

1/2" Drive Impact Socket - 12 Point



- Ideal for use on stubborn or damaged fasteners
- Quick and easy socket engagement to the fastener flats
- Employs a radius-corner design that minimizes slippage

Item #	Description	Std Pkg
035-7440	1/2" Dr x 1-1/4" Impact Socket 12pt	6 ea

1/2" Drive Deep Impact Socket - 6 Point



- Ideal for use on stubborn or damaged fasteners
- Quick and easy socket engagement to the fastener flats
- Employs a radius-corner design that minimizes slippage

Item #	Description	Std Pkg
035-7328H	1/2" Dr x 7/8" Deep Impact Socket 6pt	6 ea
035-7340H	1/2" Dr x 1-1/4" Deep Impact Socket 6pt	6 ea
035-7348H	1/2" Dr x 1-1/2" Deep Impact Socket 6pt	6 ea

1/2" Drive Deep Impact Socket - 12 Point



- Ideal for use on stubborn or damaged fasteners
- Quick and easy socket engagement to the fastener flats
- Employs a radius-corner design that minimizes slippage

Item #	Description	Std Pkg
035-7334	1/2" Dr x 1-1/16" Deep Impact Socket 12pt	6 ea
035-7340	1/2" Dr x 1-1/4" Deep Impact Socket 12pt	6 ea

3/8" Drive Impact Socket - 6 Point



- Ideal for use on stubborn or damaged fasteners
- Quick and easy socket engagement to the fastener flats
- Employs a radius-corner design that minimizes slippage

Item #	Description	Std Pkg
035-7210H	3/8" Dr x 5/16" Impact Socket 6pt	6 ea
035-7216H	3/8" Dr x 1/2" Impact Socket 6pt	6 ea
035-7218H	3/8" Dr x 9/16" Impact Socket 6pt	6 ea

3/8" Drive 7 pc Hex Bit Impact Socket Set



- Sizes: 1/4, 1/8, 3/16, 3/8, 5/16, 5/32, 7/32"

Item #	Description	Std Pkg
035-72152	3/8" Dr 7 pc Hex Bit Impact Socket Set 1-4"-7/32"	1 set

3/8" Drive 5 pc Metric Hex Bit Impact Socket Set



- 3/8 drive
- Sizes: 4, 5, 6, 8, 10 mm
- Includes: Socket bar & clips

Item #	Description	Std Pkg
035-72252	3/8" Dr 5 pc Metric Hex Bit Impact Socket Set	1 set

3/8" Drive 13 pc Hand Impact Driver Set



Driver Set Includes:

- 3- 5/16" Phillips #1,2 & 3 Bits
- 3- 1/4" Phillips #1,2 & 3 Bits
- 2- 5/16" Slotted Bits
- 2- 1/4" Slotted Bits
- 1/4" and 5/6" Bit Holder
- Blow Molded Box

Item #	Description	Std Pkg
035-7099A	3/8" Dr 13 pc Hand Impact Driver Set	1 set

1/2" Drive Hex Bit Impact Socket



- Tight tolerances for snug fit on fastener
- Withstands the high torque and force associated with repetitive application
- Side locking hole

Item #	Description	Std Pkg
035-74413/8	1/2" Dr x 3/8" Hex Bit Impact Socket	6 ea

3/4" Drive Hex Bit Impact Socket



- Stamped size for easy reference
- Side locking hole

Item #	Description	Std Pkg
035-075903/4	3/4" Dr x 3/4" Hex Bit Impact Socket	6 ea

3/4" Drive Impact Universal Joint



- 3/4" Drive
- Impact Universal Joint

Item #	Description	Std Pkg
035-07570A	3/4" Dr Impact Universal Joint	6 ea



1" Drive Impact Universal Joint



- 1" Drive
- Impact Universal Joint

Item #	Description	Std Pkg
035-10670A	1" Dr Impact Universal Joint	6 ea

3/8" Drive Impact Universal Joint



- Tight tolerances for snug fit on fastener
- Withstand the high torque and force
- Accepts a Proto® Retaining Ring or pin and O-ring
- Smooth 360° rotation

Item #	Description	Std Pkg
035-77270P	3/8" Dr Impact Universal Joint	6 ea

1/2" Drive Impact Universal Joint



- Tight tolerances for snug fit on fastener
- Withstand the high torque and force
- Accepts a Proto® Retaining Ring or pin and O-ring
- Smooth 360° rotation

Item #	Description	Std Pkg
035-74470P	1/2" Dr Impact Universal Joint	6 ea

3/8" F x 1/2" M Impact Drive Adapter



- Use adapters to help increase or decrease drive end size
- Size stamped on tool
- Side locking hole

Item #	Description	Std Pkg
035-7650	3/8" F x 1/2" M Impact Socket Adapter	6 ea

1/2" F x 3/8" M Impact Drive Adapter



- Use adapters to help increase or decrease drive end size
- Size stamped on tool
- Side locking hole

Item #	Description	Std Pkg
035-7651	1/2" F x 3/8" M Impact Reducer Adapter	6 ea

1/2" F x 3/4" M Impact Drive Adapter



- Use adapters to help increase or decrease drive end size
- Size stamped on tool
- Side locking hole

Item #	Description	Std Pkg
035-7652	1/2" F x 3/4" M Impact Socket Adapter	6 ea

3/4" F x 1/2" M Impact Drive Adapter



- Use adapters to help increase or decrease drive end size
- Size stamped on tool
- Side locking hole

Item #	Description	Std Pkg
035-7653	3/4" F x 1/2" M Impact Dr Adapter	6 ea

3/4" F x 1" M Impact Drive Adapter



- Made of forged steel
- Size stamped on tool for easy identification
- Use adapters to help increase or decrease drive end size

Item #	Description	Std Pkg
035-07655	3/4" F x 1" M Impact Dr Adapter	6 ea

1" Drive Impact Reducer Adapter



- Made of forged steel
- Size stamped on tool for easy identification
- Use adapters to help increase or decrease drive end size

Item #	Description	Std Pkg
035-07656	1" F x 3/4" M Impact Reducer Adapter	6 ea

1/2" Drive Impact Extension



- Side locking hole
- Size stamped on tool
- Helps gain access to fasteners in difficult to reach areas

Item #	Description	Std Pkg
035-7180P	1/2" Dr x 2" Impact Extension	6 ea
035-7181P	1/2" Dr x 5" Impact Extension	6 ea
035-7182P	1/2" Dr x 3" Impact Extension	6 ea
035-7183-00	1/2" Dr x 10" Impact Extension	6 ea

3/8" Drive Impact Extension



- Side locking hole
- Size stamped on tool
- Helps gain access to fasteners in difficult to reach areas

Item #	Description	Std Pkg
035-7176P	3/8" Dr x 6" Impact Extension	6 ea

3/8" Drive Hand Impact Driver



- Designed to loosen hard to turn bolts and screws
- Heavy-Duty spring for added torque

Item #	Description	Std Pkg
035-7099	3/8" Dr x 5-1/2" Hand Impact Driver	6 ea

1/2" Dr Square Extension



- Made of forged steel
- Size stamped on tool for easy identification
- Ball detent
- Not for use on impact applications

Item #	Description	Std Pkg
035-7121	1/2" Dr Impact Square Extension 7/16" Hex Shank	6 ea



3/4" Drive 29 pc Socket Set - 12 Point



- 3/4"dr. 12pt 7/8"-2-3/8" Regular Sockets
- 4", 8", 16" Extensions
- 20" Sliding T-Handle
- 20" Break-over Handle
- 20" Classic Pear Head Ratchet
- 4" Universal Joint
- Extra Heavy Duty Tool Box

Item #	Description	Std Pkg
035-55104	3/4" Dr 29 pc Socket Set - 12 Pt	1 ea

1/2" Drive 15 pc Socket Set - 12 Point



- **Sizes:** 3/8" - 1-1/4"

Item #	Description	Std Pkg
035-54114	1/2" Dr 15 pc Socket Set - 12 Pt	1 ea

1/2" Drive 18 pc Socket Set - 12 Point



- **Sizes:** 3/8, 7/16, 1/2, 9/16, 5/8, 11/16, 3/4, 13/16, 7/8, 15/16, 1, 1-1/16, 1-1/8, 1-3/16, 1-1/4"
- 5" Extension, Hinge Handle, Ratchet

Item #	Description	Std Pkg
035-54120	1/2" Dr 18 pc Socket Set - 12 Pt	1 ea

1/2" Drive 26 pc Socket Set - 12 Point



- 1/2" dr. 12pt Regular Sockets 3/8"-1-1/4"
- 2-1/2", 5", 10" Extensions and Universal Joint
- 18-5/8" Speed Handle
- 18" Break-over Handle
- 10" Classic Pear Head Handle
- Metal Tool Box

Item #	Description	Std Pkg
035-54124	1/2" Dr 26 pc Socket Set - 12 Pt	1 ea

1/2" Drive 18 pc Socket Set - 6 Point



- 1/2" dr. 6pt. Regular Sockets 3/8"-1-1/4"
- 5" Extension & 15-3/4" Break-Over Handle
- 10" Pear Head Ratchet
- Chrome Finish and Plastic Box

Item #	Description	Std Pkg
035-54122	1/2" Dr 18 pc Socket Set - 6 Pt	1 ea

1/2" Drive 30 pc Socket Set - 12 Point



- 1/2"dr. Regular 12 pt Sockets 3/8"-1-1/4"
- 1/2"dr. Deep 12 pt Sockets 1/2"-1-1/4"
- 5" and 10" Extension
- 15-3/4" Break-over Handle
- 10" Classic Pear Head Handle
- All Chrome Finish & Plastic Box

Item #	Description	Std Pkg
035-54126	1/2" Dr 30 pc Socket Set - 12 Pt	1 ea

1/2" Drive 29 pc Metric Socket Set - 12 Point



- Sockets included; 10, 11, 12, 13, 14, 15, 16, 17, 18, 19, 20, 21, 22, 23, 24, 25, 26, 27, 28, 29, 30, 32, 36mm
- Also included; (1) 1/2" Drive Pear Head Ratchet 10", (3) Drive Extensions 2-1/2", 5", 10", (1) Breaker Bar 15-3/4", (1) Universal Joint, (1) Blow Molded Case

Item #	Description	Std Pkg
035-54212	1/2" Dr 29 pc Metric Socket Set - 12 Pt	1 ea

3/8" Drive 22 pc Socket Set - 12 Point



- 12 pt Standard & Deep Sockets
- Sizes 3/8" - 7/8"
- Pear Head Ratchet and Universal Joint
- 3" and 6" Extensions
- Chrome Finish

Item #	Description	Std Pkg
035-52136	3/8" Dr 22 pc Socket Set - 12 Pt	1 ea

3/8" Drive 16 pc Metric Socket Set - 12 Point



- 3/8" dr. 6 pt. Regular Sockets 3/8"-7/8"
- 3" and 6" Extensions
- 7" Pear Head Ratchet
- Plastic Case
- Chrome Finish

Item #	Description	Std Pkg
035-52218	3/8" Dr 16 pc Metric Socket Set - 12 Pt	1 ea



3/8" Drive 33 pc Socket Set - 12 & 8 Point



- 12 pt Standard and Deep Sockets
- Size 3/8"-7/8" Deep Sockets
- Size 1/4" -3/8" Regular 8pt Sockets
- Size 3/8" -3/4" Universal Sockets
- 3", 6" 12" Extensions / Chrome Finish
- 3/8" dr. 8-1/2" Premium Pear Head Ratchet
- 1 - 3/8" dr. Universal Joint
- 1- 17-1/2" Speed Handle and 8-1/2" Break-over Handle

Item #	Description	Std Pkg
035-52138	3/8" Dr 33 pc Socket Set - 12 & 8 Pt	1 ea

3/8" Drive 12 pc Socket Set - 6 Point



- 3/8" dr. 6 pt. Regular Sockets 3/8"-7/8"
- 3" and 6" Extensions
- 7" Pear Head Ratchet
- Plastic Case
- Chrome Finish

Item #	Description	Std Pkg
035-52128	3/8" Dr 12 pc Socket Set - 6 Pt	1 ea

1/4" Drive 10 pc Deep Socket Set - 12 Point



- 1/4" dr. 12 pt Deep Chrome Sockets 3/16"-9/16"
- Clip Bar with Clips

Item #	Description	Std Pkg
035-47100	1/4" Dr 10 pc Deep Socket Set - 12 Pt	1 ea

1/4" Drive 25 pc Combination Socket Set - 12 Point



- Set Includes: 1 Standard and 1 Deep 12 point sockets of the following sizes -3/16", 7/32", 1/4", 9/32", 5/16", 11/32", 3/8", 7/16", 1/2", and 9/16", and a Ratchet, 2" and 6" extension, 6-1/8" socket driver, universal joint, and metal tool box.

Item #	Description	Std Pkg
035-47118	1/4" Dr 25 pc Combination Socket Set - 12 Pt	1 ea

1" Drive 29 pc Socket Set - 12 Point



- 1" dr. 12pt Regular Sockets 1-1/16"-3-1/2"
- 8" & 17" Extensions
- 27" Break-over Handle
- 28-1/2" Sliding T Handle & Drive Plug
- 26" Classic Pear Head Ratchet
- All Chrome Finish Items
- Super Heavy Duty Tool Box

Item #	Description	Std Pkg
035-57104	1" Dr 29 pc Socket Set - 12 Pt	1 ea

3/8" Drive Chrome Socket - 12 Point



- High performance drive configuration which allows for quick and easy socket engagement to the fastener flats

Item #	Description	Std Pkg
035-5214	3/8" Dr x 7/16" Chrome Socket 12pt	6 ea

3/8" Drive Chrome Deep Socket - 12 Point



- High performance drive configuration which allows for quick and easy socket engagement to the fastener flats

Item #	Description	Std Pkg
035-5010	3/8" Dr x 5/16" Deep Socket 12pt	6 ea
035-5014	3/8" Dr x 7/16" Deep Socket 12pt	6 ea

1/2" Drive Chrome Socket - 6 Point



- Ideal for use on stubborn or damaged fasteners
- High performance drive configuration which allows for quick and easy socket engagement to the fastener flats

Item #	Description	Std Pkg
035-5324H	1/2" Dr x 3/4" Chrome Socket 6pt	6 ea
035-5428H	1/2" Dr x 7/8" Chrome Socket 6pt	6 ea
035-5430H	1/2" Dr x 15/16" Chrome Socket 6pt	6 ea
035-5436H	1/2" Dr x 1-1/8" Chrome Socket 6pt	6 ea
035-5438H	1/2" Dr x 1-3/16" Chrome Socket 6pt	6 ea
035-5440H	1/2" Dr x 1-1/4" Chrome Socket 6pt	6 ea

1/2" Drive Chrome Socket - 12 Point



- Ideal for use on stubborn or damaged fasteners
- High performance drive configuration which allows for quick and easy socket engagement to the fastener flats

Item #	Description	Std Pkg
035-5418	1/2" Dr x 9/16" Chrome Socket 12pt	6 ea
035-5420	1/2" Dr x 5/8" Chrome Socket 12pt	6 ea
035-5422	1/2" Dr x 11/16" Chrome Socket 12pt	6 ea
035-5438	1/2" Dr x 1-3/16" Chrome Socket 12pt	6 ea
035-5440	1/2" Dr x 1-1/4" Chrome Socket 12pt	6 ea
035-5446	1/2" Dr x 1-7/16" Chrome Socket 12pt	6 ea



1/2" Drive Chrome Deep Socket - 12 Point



- Ideal for use on stubborn or damaged fasteners
- High performance drive configuration which allows for quick and easy socket engagement to the fastener flats

Item #	Description	Std Pkg
035-5340	1/2" Dr x 1-1/4" Deep Socket 12pt	6 ea
035-5346	1/2" Dr x 1-7/16" Deep Socket 12pt	6 ea

3/4" Drive Chrome Deep Socket - 6 Point



- Ideal for use on stubborn or damaged fasteners
- High performance drive configuration which allows for quick and easy socket engagement to the fastener flats

Item #	Description	Std Pkg
035-5528HL	3/4" Dr x 7/8" Chrome Deep Socket 6pt	6 ea
035-5542HL	3/4" Dr x 1-5/16" Chrome Deep Socket 6pt	6 ea

3/4" Drive Chrome Socket - 12 Point



- Ideal for use on stubborn or damaged fasteners
- High performance drive configuration which allows for quick and easy socket engagement to the fastener flats

Item #	Description	Std Pkg
035-5524	3/4" Dr x 3/4" Chrome Socket 12pt	6 ea
035-5528	3/4" Dr x 7/8" Chrome Socket 12pt	6 ea
035-5536	3/4" Dr x 1-1/8" Chrome Socket 12pt	6 ea
035-5548	3/4" Dr x 1-1/2" Chrome Socket 12pt	6 ea
035-5558	3/4" Dr x 1-13/16" Chrome Socket 12pt	6 ea
035-5570	3/4" Dr x 2-3/16" Chrome Socket 12pt	6 ea
035-5576	3/4" Dr x 2-3/8" Chrome Socket 12pt	6 ea

1" Drive Chrome Socket - 12 Point



- Ideal for use on stubborn or damaged fasteners
- High performance drive configuration which allows for quick and easy socket engagement to the fastener flats

Item #	Description	Std Pkg
035-5788	1" Dr x 2-3/4" Chrome Socket 12pt	6 ea
035-5794	1" Dr x 2-15/16" Chrome Socket 12pt	6 ea

3/8" Drive 7 pc Hex Bit Set



- Sizes: 1/8"-3/8"
- Socket Bar with Clips

Item #	Description	Std Pkg
035-4900-7C	3/8" Dr 7 pc Hex Bit Set	1 ea

1/2" Drive 7 pc Hex Bit Set



- 1/2" dr. 1/4"-5/8" Bits
- Socket Bar with Clips

Item #	Description	Std Pkg
035-5441-7	1/2" Dr 7 pc Hex Bit Set	1 ea

3/8" & 1/2" Drive 10 pc Hex Bit Set



- 7 ea: 3/8" dr. 1/8-3/8" Bits
- 3 ea: 1/2" dr. 1/2", 9/16", 5/8" Bits
- Blow Molded Box

Item #	Description	Std Pkg
035-4900A	3/8" & 1/2" Dr 10 pc Hex Bit Set	1 ea

3/8" & 1/2" Drive 10 pc Metric Hex Bit Set



- 7 ea: 3/8" dr. 4 mm-10 mm Bits
- 3 ea: 1/2" dr. 12 mm, 14 mm, 17 mm Bits
- Blow Molded Box

Item #	Description	Std Pkg
035-4900MA	3/8" & 1/2" Dr 10 pc Metric Hex Bit Set	1 ea

6 pc Adapter Set



- Set Includes socket bar, clips and various adapters

Item #	Description	Std Pkg
035-52006	6 pc Adapter Set	1 ea

1/2" Drive Hex Bit Socket



- Bit holders have a hex opening to hold the bit allowing the bit holder to take the full load of torque
- Made of heat-treated alloy steel

Item #	Description	Std Pkg
035-5441-1/2	1/2" Dr x 1/2" Hex Bit Socket	6 ea
035-5441-1/4	1/2" Dr x 1/4" Hex Bit Socket	6 ea
035-5441-3/4	1/2" Dr x 3/4" Hex Bit Socket	6 ea
035-5441-3/8	1/2" Dr x 3/8" Hex Bit Socket	6 ea
035-5441-5/16	1/2" Dr x 5/16" Hex Bit Socket	6 ea
035-5441-5/8	1/2" Dr x 5/8" Hex Bit Socket	6 ea

1/2" Drive Metric Hex Bit Socket



- Bit holders have a hex opening to hold the bit allowing the bit holder to take the full load of torque
- Made of heat-treated alloy steel

Item #	Description	Std Pkg
035-5441-18M	1/2" Dr x 18mm Hex Bit Socket	6 ea

Chrome Drive Adapter 1/2" F x 3/4" M



- 1/2" F x 3/4" M
- Full polish finish

Item #	Description	Std Pkg
035-5653	1/2" F x 3/4" M Chrome Dr Adapter	6 ea



1/2" Drive XL Hex Bit Socket



- Bit holders have a hex opening to hold the bit allowing the bit holder to take the full load of torque
- Made of heat-treated alloy steel

Item #	Description	Std Pkg
035-5441-1/2XL	1/2" Dr x 1/2" XL Hex Bit Socket	6 ea
035-54413/8XL	1/2" Dr x 3/8" XL Hex Bit Socket	6 ea

1/2" Drive Chrome Extension



- Made from alloy steel
- Heat-treated for strength and durability
- Rigid extensions

Item #	Description	Std Pkg
035-5461	1/2" Dr x 5" Chrome Extension	6 ea
035-5463	1/2" Dr x 10" Chrome Extension	6 ea

3/4" Drive Chrome Universal Joint



- 3/4-inch Drive size
- Full Polish Finish
- 4-inch Overall length

Item #	Description	Std Pkg
035-5670	3/4" Dr Chrome Universal Joint	6 ea

1/2" Drive Chrome Universal Joint



- 1/2-inch Drive
- Universal Joint - 2-3/4-inch
- Full Polish Finish

Item #	Description	Std Pkg
035-5470A	1/2" Dr Chrome Universal Joint	6 ea

3/8" Drive Chrome Extension



- 3/8" Drive
- 17-3/16" Extension
- Alloy Steel, Heat treated

Item #	Description	Std Pkg
035-5259	3/8" Dr x 1-3/4" Chrome Extension	6 ea
035-5260-06	3/8" Dr x 6" Chrome Extension	6 ea
035-5263	3/8" Dr x 17-3/16" Extension	6 ea

3/4" F x 1/2" M Drive Adapter



- 3/4-inch F x 1/2-inch M
- Full Polish Finish
- 1-7/8-inch Overall length

Item #	Description	Std Pkg
035-5453	3/4" F x 1/2" M Drive Adapter	6 ea

3/8" Drive Hex Bit Socket



- Made using a heat-treated alloy for wear-resistance which helps minimize distortion for a long life
- Full Polish Finish

Item #	Description	Std Pkg
035-4990-1/4	3/8" Dr x 1/4" Hex Bit Socket	6 ea
035-4990-5/16	3/8" Dr x 5/16 Hex Bit Socket	6 ea
035-4990-5/32	3/8" Dr x 5/32 Hex Bit Socket	6 ea
035-49907/32	3/8" Dr x 7/32" Hex Bit Socket	6 ea

3/8" Drive Metric Hex Bit Socket



- Made using a heat-treated alloy for wear-resistance which helps minimize distortion for a long life
- Full Polish Finish

Item #	Description	Std Pkg
035-4990-4M	3/8" Dr x 4mm Hex Bit Socket	6 ea
035-4990-6M	3/8" Dr x 6mm Hex Bit Socket	6 ea
035-4990-9M	3/8" Dr x 9mm Hex Bit Socket	6 ea

3/8" Drive Ball End XL Hex Bit Socket



- Ball-style head to turn a hex fastener at different angles in hard to reach places
- Made of alloy steel
- Polished chrome finish socket

Item #	Description	Std Pkg
035-4906BD	3/8" Dr x 3/16" Ball End XL Hex Bit Socket	6 ea
035-4910BD	3/8" Dr x 5/16" Ball End XL Hex Bit Socket	6 ea
035-4912BD	3/8" Dr x 3/8" Ball End XL Hex Bit Socket	6 ea

3/8" Drive XL Hex Bit Socket



- Made using a heat-treated alloy for wear-resistance which helps minimize distortion for a long life
- Full Polish Finish

Item #	Description	Std Pkg
035-4990-1/4XL	3/8" Dr x 1/4" XL Hex Bit Socket	6 ea
035-4990-5/32XL	3/8" Dr x 5/32" XL Hex Bit Socket	6 ea

1/4" Drive Chrome Hex Bit Socket



- Bit holders have a hex opening to hold the bit, allowing the bit holder to take the full load of torque
- Made of alloy steel
- Polished chrome finish socket

Item #	Description	Std Pkg
035-4770-1/8	1/4" Dr x 1/8" Chrome Hex Bit Socket	6 ea
035-4770-3/32	1/4" Dr x 3/32" Chrome Hex Bit Socket	6 ea
035-4770-5/32	1/4" Dr x 5/32" Chrome Hex Bit Socket	6 ea
035-4770-5/64	1/4" Dr x 5/64" Chrome Hex Bit Socket	6 ea

3/4" F x 1" M Drive Adapter



- Full Polish Finish
- 2-1/2-inch Overall length

Item #	Description	Std Pkg
035-5853	3/4" F x 1" M Adapter	6 ea



3/4" Drive Extension



- Full Polish Finish
- Extensions give access to fasteners in areas otherwise impossible to reach

Item #	Description	Std Pkg
035-5660	3/4" Dr x 4" Extension	6 ea
035-5661	3/4" Dr x 8" Extension	6 ea
035-5663	3/4" Dr x 16" Extension	6 ea

1/4" Drive Pear Head Ratchet



- 24-tooth gear/floating pawl design provides 15° ratcheting angle
- Thin head design for access into tight work areas
- Reversing lever designed for quick, one-hand operation

Item #	Description	Std Pkg
035-4749	1/4" Dr x 5" Chrome Pear Head Ratchet	6 ea

3/8" Drive Pear Head Ratchet



- 24-tooth gear/floating pawl design provides 15° ratcheting angle
- Thin head design for access into tight work areas
- Reversing lever designed for quick, one-hand operation

Item #	Description	Std Pkg
035-5249	3/8" Dr x 7" Chrome Pear Head Ratchet	6 ea

1/2" Drive Pear Head Ratchet



- 24-tooth gear/floating pawl design provides 15° ratcheting angle
- Thin head design for access into tight work areas
- Reversing lever designed for quick, one-hand operation

Item #	Description	Std Pkg
035-5449	1/2" Dr x 10" Chrome Pear Head Ratchet	6 ea
035-5450	1/2" Dr x 16" Chrome Pear Head Ratchet	6 ea

3/4" Drive Pear Head Ratchet



- 24-tooth gear/floating pawl design provides 15° ratcheting angle
- Thin head design for access into tight work areas
- Reversing lever designed for quick, one-hand operation

Item #	Description	Std Pkg
035-5649	3/4" Dr Chrome Pear Head Ratchet	1 ea

1" Drive Pear Head Ratchet



- 24-tooth gear/floating pawl design provides 15° ratcheting angle
- Thin head design for access into tight work areas
- Reversing lever designed for quick, one-hand operation

Item #	Description	Std Pkg
035-5849	1" Dr x 26" Chrome Pear Head Ratchet	1 ea

1/2" Drive Long Handle Pear Head Ratchet



- Small pear head design for access in tight, hard to reach work areas
- 45-tooth gear provides balance between 8° articulation angle and high torque carrying capacity

Item #	Description	Std Pkg
035-5450XL	1/2" Dr x 15" Chrome Long Handle Ratchet	6 ea

3/8" Drive Long Handle Pear Head Ratchet



- Small pear head design for access in tight, hard to reach work areas
- 45-tooth gear provides balance between 8° articulation angle and high torque carrying capacity

Item #	Description	Std Pkg
035-5250XL	3/8" Dr x 11" Chrome Long Handle Ratchet	6 ea

1/2" Drive Ratchet Repair Kit



- This is the repair kit for a standard length 1/2" drive pear head ratchet
- Male drive plug has spring loaded pellet instead of a spring loaded ball

Item #	Description	Std Pkg
035-5449RK	1/2" Dr Ratchet Repair Kit	6 ea

1/2" Drive Chrome Breakover



- Head Flexes 90° from horizontal
- Made of heat-treated alloy steel
- Chrome plated finish

Item #	Description	Std Pkg
035-5468	1/2" Dr x 18-5/8" Chrome Breakover	1 ea

3/4" Drive Chrome Breakover



- Head Flexes 90° from horizontal
- Made of heat-treated alloy steel
- Chrome plated finish

Item #	Description	Std Pkg
035-5668	3/4" Dr x 20" Chrome Breakover	1 ea



3/8" Drive Chrome Speed Handle



- Made from alloy steel
- Heat treated for strength and durability
- Speed Handles
- 3/8-inch Drive size
- 17-1/2-inch Overall length

Item #	Description	Std Pkg
035-5280G	3/8" Dr x 17-1/2" Chrome Speed Handle	1 ea

1/2" Drive Chrome Speed Handle



- Made from alloy steel
- Heat-treated for strength and durability
- 1/2-inch Drive Speed Handle
- 1/2-inch Drive size
- Full Polish finish, 18-5/6-inch Overall length

Item #	Description	Std Pkg
035-5480G	1/2" Dr x 18" Chrome Speed Handle	1 ea

3/4" Drive Retaining Ring



- Retaining rings help secure sockets onto drive tools
- They are not intended to bear any load
- Drive tool and socket should line up when in use

Item #	Description	Std Pkg
035-RR07520	3/4" Dr Retaining Ring 1-1/4" Groove	10 ea
035-RR07526	3/4" Dr Retaining Ring 1-5/8" Groove	10 ea
035-RR07528	3/4" Dr Retaining Ring 1-3/4" Groove	10 ea

1" Drive Retaining Ring



- Retaining rings help secure sockets onto drive tools
- They are not intended to bear any load
- Drive tool and socket should line up when in use

Item #	Description	Std Pkg
035-RR10028	1" Dr Retaining Ring 1-3/4" Groove	10 ea
035-RR10032	1" Dr Retaining Ring 2" Groove	10 ea
035-RR10034	1" Dr Retaining Ring 2-1/8" Groove	10 ea

3 pc Clik-Stop Adjustable Wrench Set



- Satin finish provides corrosion resistance and a slip resistant grip
- Extra wide jaw capacity
- Square jaw opening provides strength and tight fit

Item #	Description	Std Pkg
035-790	3 pc Clik-Stop Adjustable Wrench Set	1 ea

Satin Adjustable Wrench



- Satin finish provides corrosion resistance and a slip resistant grip
- Extra wide jaw capacity
- Square jaw opening provides strength and tight fit
- Rugged I-beam style handle and reinforced stress areas; radius corner design

Item #	Description	Std Pkg
035-704	4" Satin Adjustable Wrench	6 ea
035-706	6" Satin Adjustable Wrench	6 ea
035-708	8" Satin Adjustable Wrench	6 ea
035-710	10" Satin Adjustable Wrench	6 ea
035-712	12" Satin Adjustable Wrench	6 ea
035-715	15" Satin Adjustable Wrench	2 ea
035-718	18" Satin Adjustable Wrench	1 ea
035-724	24" Satin Adjustable Wrench	1 ea

Cushion Grip Adjustable Wrench



- Soft cushion grip for additional comfort
- Extra wide jaw capacity
- Square jaw opening provides strength and tight fit

Item #	Description	Std Pkg
035-704G	4" Cushion Grip Adjustable Wrench	6 ea
035-706G	6" Cushion Grip Adjustable Wrench	6 ea
035-708G	8" Cushion Grip Adjustable Wrench	6 ea
035-710G	10" Cushion Grip Adjustable Wrench	6 ea
035-712G	12" Cushion Grip Adjustable Wrench	6 ea

Satin Clik-Stop Adjustable Wrench



- Clik-Stop® locking design holds the moving jaw of an adjustable wrench in place when the wrench is in use
- Satin finish provides corrosion resistance and a slip resistant grip
- Extra wide jaw capacity

Item #	Description	Std Pkg
035-704L	4" Satin Clik-Stop Adjustable Wrench	6 ea
035-706L	6" Satin Clik-Stop Adjustable Wrench	6 ea
035-708L	8" Satin Clik-Stop Adjustable Wrench	6 ea
035-710L	10" Satin Clik-Stop Adjustable Wrench	6 ea
035-712L	12" Satin Clik-Stop Adjustable Wrench	6 ea
035-715L	15" Satin Clik-Stop Adjustable Wrench	2 ea

Black Oxide Clik-Stop Adjustable Wrench



- Clik-Stop locking design holds the moving jaw of an adjustable wrench in place when the wrench is in use
- Non-reflective Proto Black finish for use where non-plated products are required
- Extra wide jaw capacity

Item #	Description	Std Pkg
035-708SL	8" Black Oxide Clik-Stop Adjustable Wrench	6 ea
035-712SL	12" Black Oxide Clik-Stop Adjustable Wrench	6 ea
035-715SL	15" Black Oxide Clik-Stop Adjustable Wrench	1 ea
035-718SL	18" Black Oxide Clik-Stop Adjustable Wrench	1 ea



Black Oxide Adjustable Wrench



- Non-reflective black oxide finish for use where non-plated products are required
- Square jaw opening provides strength and tight fit
- Extra wide jaw capacity

Item #	Description	Std Pkg
035-704S	4" Black Oxide Adjustable Wrench	6 ea
035-706S	6" Black Oxide Adjustable Wrench	6 ea
035-708S	8" Black Oxide Adjustable Wrench	6 ea
035-710S	10" Black Oxide Adjustable Wrench	6 ea
035-712S	12" Black Oxide Adjustable Wrench	6 ea
035-715S	15" Black Oxide Adjustable Wrench	2 ea
035-718S	18" Black Oxide Adjustable Wrench	1 ea

7 pc Combination ASD Wrench Set - 12 Point



- Set Includes: 3/8"; 7/16"; 1/2"; 9/16"; 5/8"; 11/16"; 3/4"
- 12 point box end allows for fine indexing, helping to improve speed and access
- Anti-Slip Design (ASD) open end

Item #	Description	Std Pkg
035-1200H-T500	7 pc Combination ASD Wrench Set - 12 Pt	1 ea

10 pc Combination ASD Wrench Set - 12 Point



- **Sizes:** 12pt. 7/16"-1"
- Satin Finish
- Fits 4, 8, 12 pt. Fasteners
- Torque-plus System
- Tool Roll-up

Item #	Description	Std Pkg
035-1200GASD	10 pc Combination ASD Wrench Set - 12 Pt	1 ea

14 pc Combination ASD Wrench Set - 12 Point



- Set Includes: 3/8"; 7/16"; 1/2"; 9/16"; 5/8"; 11/16"; 3/4"; 13/16"; 7/8"; 15/16"; 1"; 1-1/16"; 1-1/8"; and 1-1/4"
- Non-reflective black oxide finish for use where non-plated products are required
- Anti-Slip Design (ASD) open end

Item #	Description	Std Pkg
035-1200FBASD	14 pc Combination ASD Wrench Set - 12 Pt	1 ea

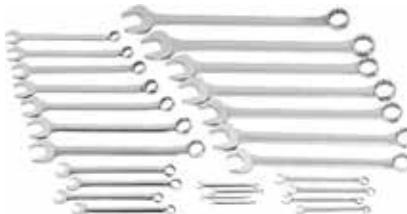
15 pc Combination ASD Wrench Set - 12 Point



- **Sizes:** 12 pt. 5/16"-1-1/4"
- Satin Finish
- Anti-Slip Design, Torque-Plus System
- Fits 4,8,12 pt. Fasteners
- Canvas Tool Roll-up

Item #	Description	Std Pkg
035-1200FASD	15 pc Combination ASD Wrench Set - 12 Pt	1 ea

26 pc Combination ASD Wrench Set - 12 Point



- 12pt. 1/4" to 2" Satin Finish
- Torque-Plus Anti-Slip System and Design
- Fits: 4, 6, 12 point Fasteners
- Boxed

Item #	Description	Std Pkg
035-1200-80ASD	26 pc Combination ASD Wrench Set - 12 Pt	1 ea

9 pc Metric Combination ASD Wrench Set - 12 Point



- **Sizes:** 12 pt. 7 mm-15 mm Metric
- Satin Finish
- Anti-slip Design, Torque-plus System
- Fits 4,8,12 pt. Fasteners
- Tool Roll-up

Item #	Description	Std Pkg
035-1200H-MASD	9 pc Metric Combination ASD Wrench Set - 12 Pt	1 ea

15 pc Metric Combination ASD Wrench Set - 12 Point



- Set Includes: 7mm; 8mm; 10mm; 12mm; 14mm; 16mm; 18mm; 20mm; 22mm; 24mm; 26mm; 28mm; 29mm; 30mm; and 32mm
- Satin finish provides corrosion resistance and a slip resistant grip.
- Anti-Slip Design (ASD) open end

Item #	Description	Std Pkg
035-1200P-MASD	15 pc Metric Combination ASD Wrench Set - 12 Pt	1 ea

11 pc Short Combination Wrench Set - 12 Point



- Extra short size desirable for small or tight work spaces
- 11 piece combination wrench set
- Black oxide finish

Item #	Description	Std Pkg
035-1200ES-11	11 pc Short Combination Wrench Set - 12 Pt	1 ea



Satin Combination Wrench ASD - 12 Point



- Special heat-treated alloy steel permits slim shanks for strength and durability
- Box ends incorporate the TorquePlus system
- Ideal for use on stubborn or damaged fasteners
- Corrosion resistant and easy to clean surfaces

Item #	Description	Std Pkg
035-1208A	1/4" Satin Combination Wrench 12pt	6 ea
035-1210A	5/16" Satin Combination Wrench 12pt	6 ea
035-1212ASD	3/8" Satin Combination Wrench 12pt	6 ea
035-1214ASD	7/16" Satin Combination Wrench 12pt	6 ea
035-1216ASD	1/2" Satin Combination Wrench 12pt	6 ea
035-1218ASD	9/16" Satin Combination Wrench 12pt	6 ea
035-1220ASD	5/8" Satin Combination Wrench 12pt	6 ea
035-1222ASD	11/16" Satin Combination Wrench 12pt	6 ea
035-1224ASD	3/4" Satin Combination Wrench 12pt	6 ea
035-1226ASD	13/16" Satin Combination Wrench 12pt	6 ea
035-1228ASD	7/8" Satin Combination Wrench 12pt	6 ea
035-1230ASD	15/16" Satin Combination Wrench 12pt	6 ea
035-1232ASD	1" Satin Combination Wrench 12pt	6 ea
035-1234ASD	1-1/16" Satin Combination Wrench 12pt	6 ea
035-1236ASD	1-1/8" Satin Combination Wrench 12pt	6 ea
035-1240ASD	1-1/4" Satin Combination Wrench 12pt	6 ea

Satin Combination Wrench - 12 Point



- Special heat-treated alloy steel permits slim shanks for strength and durability
- Box ends incorporate the TorquePlus system
- Ideal for use on stubborn or damaged fasteners
- Corrosion resistant and easy to clean surfaces

Item #	Description	Std Pkg
035-1242	1-5/16" Satin Combination Wrench 12pt	6 ea
035-1244	1-3/8" Satin Combination Wrench 12pt	2 ea
035-1246	1-7/16" Satin Combination Wrench 12pt	2 ea
035-1248	1-1/2" Satin Combination Wrench 12pt	1 ea
035-1252	1-5/8" Satin Combination Wrench 12pt	1 ea
035-1254	1-11/16" Satin Combination Wrench 12pt	1 ea
035-1256	1-3/4" Satin Combination Wrench 12pt	1 ea
035-1258	1-3/16" Satin Combination Wrench 12pt	1 ea
035-1260	1-7/8" Satin Combination Wrench 12pt	1 ea
035-1264	2" Satin Combination Wrench 12pt	1 ea
035-1268	2-1/8" Satin Combination Wrench 12pt	1 ea
035-1270	2-3/16" Satin Combination Wrench 12pt	1 ea

Full Polish Combination Wrench - 12 Point



- Full polish finish provides corrosion resistance.
- 12 point box end allows for fine indexing.
- Fits 4, 6, and 12 point fasteners.
- Box ends incorporate the TorquePlus™ system.

Item #	Description	Std Pkg
035-1211-T500	11/32" Full Polish Combination Wrench 12pt	6 ea

Full Polish Double Box Wrench - 12 Point



- Full polish finish provides corrosion resistance
- 12 point box end allows for fine indexing
- Fits 4, 6 and 12 point fasteners.
- Box ends incorporate the TorquePlus™ system

Item #	Description	Std Pkg
035-1126L	1/2" x 9/16" Full Polish Double Box Wrench 12pt	6 ea

Satin Double Box Wrench - 12 Point



- Satin finish provides corrosion resistance and a slip resistant grip
- 12 point box end allows for fine indexing
- Fits 4, 6 and 12 point fasteners
- Box ends incorporate the TorquePlus™ system

Item #	Description	Std Pkg
035-1151	1-1/16" x 1-1/4" Satin Double Box Wrench 12pt	6 ea

Black Oxide Double Box Wrench - 12 Point



- Non-reflective black oxide finish for use where non-plated products are required
- 12 point box end allows for fine indexing
- Fits 4, 6 and 12 point fasteners.
- Box ends incorporate the TorquePlus™ system

Item #	Description	Std Pkg
035-1151B	1-1/16" x 1-1/4" Black Double Box Wrench 12pt	6 ea

Full Polish Ratcheting Double Box Wrench - 6 Point



- Full polish finish
- Shorter length for access to confined workspaces
- The wrench self-aligns with the fastener
- Fits 4, 6 and 12 point fasteners

Item #	Description	Std Pkg
035-1192-A	3/8" x 7/16" Full Polish Ratcheting Box Wrench 6pt	6 ea
035-1193-A	1/2" X 9/16" Ratching Box Wrench 6 Pt	6 ea

Full Polish Ratcheting Double Box Wrench - 12 Point



- Full polish finish provides corrosion resistance
- Shorter length for access to confined workspaces
- The wrench self-aligns with the fastener
- 12 point box end allows for fine indexing
- Fits 4, 6 and 12 point fasteners

Item #	Description	Std Pkg
035-1192T-A	3/8" x 7/16" Ratcheting Box Wrench 12pt	6 ea
035-1195-A	3/4" x 7/8" Ratcheting Box Wrench 12pt	6 ea
035-1199	1-1/8" x 1-1/4" Ratcheting Box Wrench 12pt	6 ea



9 pc Ignition Wrench Set



- **Sizes:** 7/32-15/64"
- Midget Angle Nose Pliers
- Tool Roll-up

Item #	Description	Std Pkg
035-3200D	9 pc Ignition Wrench Set	1 ea

13 pc Ignition Wrench Set



- **Sizes:** 7/32"-15/64"
- Midget Angle Nose Pliers
- Ignition Pont File
- Screw Starter
- Screwdriver
- Tool Roll-up

Item #	Description	Std Pkg
035-3200C	13 pc Ignition Wrench Set	1 ea

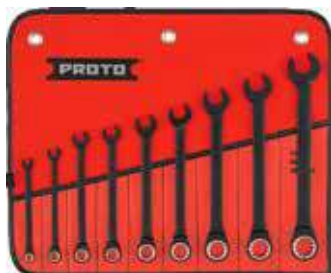
5 pc Ratcheting Box Wrench Set - 12 Point



- **Sizes:** 1/4" x 5/16", 5/8" x 11/16", 3/8" x 7/16", 3/4" x 7/8", 1/2" x 9/16"
- 12 pt. Box Wrenches
- Canvas Pouch
- Fully Polished

Item #	Description	Std Pkg
035-1190A	5 pc Ratcheting Box Wrench Set - 12 Pt	1 ea

9 pc Combination Ratcheting Spline Wrench Set



- **Sizes:** 1/4"-3/4" Spline pt. Non-Reversing
- Black Chrome Finish
- **Fits:** 4,8,12 pt., Spline & Torx Fasteners
- Tool Roll-up

Item #	Description	Std Pkg
035-SCR-9S	9 pc Combination Ratcheting Spline Wrench Set	1 ea

Black Oxide Pull Wrench



- Provides safe alternative to striking wrenches in confined spaces and on applications that prohibit sparking
- Wrench head offers access to recessed fasteners
- The handle can be attached to provide increased leverage for final tightening

Item #	Description	Std Pkg
035-2617PW	1-1/16" Pull Wrench Offset	Bulk
035-2618PW	1-1/16 Pull Wrench Offset	Bulk
035-2619PW	1-3/16" Pull Wrench Offset	Bulk
035-2620PW	1-1/4" Pull Wrench Offset	Bulk
035-2621PW	1-5/16 Pull Wrench Offset	Bulk
035-2622PW	1-3/8" Pull Wrench Offset	Bulk
035-2623PW	1-7/16 Pull Wrench Offset	Bulk
035-2624PW	1-1/2" Pull Wrench Offset	Bulk
035-2626PW	1-5/8" Pull Wrench Offset	Bulk
035-2627PW	1-11/16" Pull Wrench Offset	Bulk
035-2628PW	1-3/4" Pull Wrench Offset	Bulk
035-2629PW	1-13/16 Pull Wrench Offset	Bulk
035-2630PW	1-7/8 Pull Wrench Offset	Bulk
035-2631PW	1-15/16 Pull Wrench Offset	Bulk
035-2632PW	2" Pull Wrench Offset	Bulk
035-2634PW	2-1/8" Pull Wrench Offset	Bulk
035-2635PW	2-3/16" Pull Wrench Offset	Bulk
035-2636PW	2-1/4" Pull Wrench Offset	Bulk
035-2637PW	2-5/16" Pull Wrench Offset	Bulk
035-2638PW	2-3/8" Pull Wrench Offset	Bulk
035-2640PW	2-1/2" Pull Wrench Offset	Bulk
035-2641PW	2-9/16" Pull Wrench Offset	Bulk
035-2642PW	2-5/8" Pull Wrench Offset	Bulk
035-2644PW	2-3/4" Pull Wrench Offset	Bulk
035-2646PW	2-7/8" Pull Wrench Offset	Bulk
035-2647PW	2-15/16" Pull Wrench Offset	Bulk
035-2648PW	3" Pull Wrench Offset	Bulk
035-2650PW	3-1/8" Pull Wrench Offset	Bulk

Black Oxide Pull Wrench Handle



- Removable handle
- Satin finish provides corrosion resistance and a slip resistant grip

Item #	Description	Std Pkg
035-26HAN24	24" Pull Wrench Handle	Bulk
035-26HAN36	36" Pull Wrench Handle	Bulk

Black Oxide CliK-Stop Adjustable Spud Wrench



- Non-reflective black oxide finish
- CLIK-STOP® jaw locking feature automatically locks the jaw in a fixed position
- Large jaw opening fits all nuts and bolts up to 1-1/2 inches

Item #	Description	Std Pkg
035-712SC	12" Black CliK-Stop Adjustable Spud Wrench	1 ea



Heavy-Duty Offset Striking Wrench - 12 Point



- Black oxide finish
- Short handle permits use in close quarters
- Box opening designed to remain on fastener when wrench is struck
- Offset handle clears obstructions

Item #	Description	Std Pkg
035-2617SW	1-1/16" Offset Striking Wrench 12pt	Bulk
035-2618SW	1-1/8" Offset Striking Wrench 12pt	Bulk
035-2619SW	1-3/16" Offset Striking Wrench 12pt	Bulk
035-2620SW	1-1/4" Offset Striking Wrench 12pt	Bulk
035-2621SW	1-5/16" Offset Striking Wrench 12 Pt	Bulk
035-2622SW	1-3/8" Offset Striking Wrench 12 Pt	Bulk
035-2623SW	1-7/16" Offset Striking Wrench 12pt	Bulk
035-2624SW	1-1/2" Offset Striking Wrench 12pt	Bulk
035-2625SW	1-9/16" Offset Striking Wrench 12pt	Bulk
035-2626SW	1-5/8" Offset Striking Wrench 12pt	Bulk
035-2627SW	1-11/16" Offset Striking Wrench 12 Pt	Bulk
035-2628SW	1-3/4" Offset Striking Wrench 12 Pt	Bulk
035-2629SW	1-13/16" Offset Striking Wrench 12pt	Bulk
035-2630SW	1-7/8" Offset Striking Wrench 12pt	Bulk
035-2631SW	1-5/16" Offset Wrench Striking 12pt	Bulk
035-2632SW	2" Offset Striking Wrench 12pt	Bulk
035-2633SW	2-1/16" Offset Striking Wrench 12 Pt	Bulk
035-2634SW	2-1/8" Offset Striking Wrench 12pt	Bulk
035-2635SW	2-3/16" Offset Striking Wrench 12pt	Bulk
035-2636SW	2-1/4" Offset Striking Wrench 12 Pt	Bulk
035-2637SW	2-5/16" Offset Striking Wrench 12pt	Bulk
035-2638SW	2-3/8" Offset Striking Wrench 12pt	Bulk
035-2639SW	2-7/16" Offset Striking Wrench 12 Pt	Bulk
035-2640SW	2-1/2" Offset Striking Wrench 12pt	Bulk
035-2641SW	2-9/16" Offset Striking Wrench 12pt	Bulk
035-2642SW	2-5/8" Offset Striking Wrench 12 Pt	Bulk
035-2643SW	2-11/16" Offset Striking Wrench 12 Pt	Bulk
035-2644SW	2-3/4" Offset Striking Wrench 12pt	Bulk
035-2646SW	2-7/8" Offset Striking Wrench 12 Pt	Bulk
035-2647SW	2-15/16" Offset Striking Wrench 12pt	Bulk
035-2648SW	3" Offset Striking Wrench 12 Pt	Bulk
035-2649SW	3-1/16" Offset Striking Wrench 12 Pt	Bulk
035-2650SW	3-1/8" Offset Striking Wrench 12 Pt	Bulk
035-2654SW	3-3/8" Offset Striking Wrench 12 Pt	Bulk
035-2656SW	3-1/2" Offset Striking Wrench 12 Pt	Bulk

Spud Handle Box Wrench - 12 Point



- Non-reflective black oxide finish for use where non-plated products are required
- High leverage handle and strong box end designed to turn stubborn nuts and bolts
- Tapered spud end aligns flange holes
- Fits 4, 6 and 12 point fasteners

Item #	Description	Std Pkg
035-2620	1-1/4" Spud Wrench 12pt	Bulk
035-2626	1-5/8" Spud Wrench 12pt	Bulk
035-2644	2-3/4" Spud Wrench 12pt	Bulk

Heavy-Duty Striking Wrench - 6 Point



- Non-reflective black oxide finish
- Short handle permits use in close quarters
- Straight handle design

Item #	Description	Std Pkg
035-2717SW	1-1/16 HD Striking Wrench 6pt	Bulk
035-2720SW	1-1/4" HD Striking Wrench 6pt	Bulk
035-2723SW	1-7/16" HD Striking Wrench 6pt	Bulk
035-2726SW	1-5/8" HD Striking Wrench 6pt	Bulk
035-2729SW	1-13/16" HD Striking Wrench 6pt	Bulk
035-2732SW	2" HD Striking Wrench 6pt	Bulk
035-2735SW	2-3/16" HD Striking Wrench 6pt	Bulk
035-2738SW	2-3/8" HD Striking Wrench 6pt	Bulk
035-2741SW	2-9/16" HD Striking Wrench 6 Pt	Bulk
035-2744SW	2-3/4" HD Striking Wrench 6 Pt	Bulk
035-2747SW	2-5/16" HD Striking Wrench 6pt	Bulk
035-2750SW	3-1/8" HD Striking Wrench 6 Pt	Bulk
035-2756SW	3-1/2" HD Striking wrench 6 Pt	Bulk
035-2762SW	3-7/8" HD Striking Wrench 6 Pt	Bulk

Ratcheting Head Micrometer Torque Wrench ft-lbs



- 3/8 drive
- 16-80 ft-lb torque range
- Knurled handle for non-slip grip

Item #	Description	Std Pkg
035-6006CXCERT	3/8" Dr 16-80 ft-lbs Torque Wrench w/Cert Docs	1 ea
035-6012C	3/8" Dr Torque Wrench 20-100 ft-lbs	1 ea
035-6014C	1/2" Dr Torque Wrench 50-250 ft-lbs	1 ea
035-6018AB	3/4" Dr 60-300 ft-lbs Torque Wrench	1 ea
035-6020AB	3/4" Dr Torque Wrench 120-600 ft-lbs	1 ea

Ratcheting Head Micrometer Torque Wrench in-lbs



- Calibrated to +/- 4% clockwise direction and +/- 6% counter clockwise direction at 20% to 100% of full scale
- Calibration is accomplished by manually loading the torque wrench

Item #	Description	Std Pkg
035-6062C	1/4" Dr 40-200 in-lbs Torque Wrench	1 ea
035-6064C	3/8" Dr 40-200 in-lbs Torque Wrench	1 ea

Fixed Head Micrometer Torque Wrench ft-lbs



- Calibrated to +/- 4% in clockwise direction and +/- 6% counter clockwise direction at 20% to 100% of full scale
- Calibration is accomplished by manual loading the torque wrenches

Item #	Description	Std Pkg
035-6013C	1/2" Dr Fixed Head Torque Wrench 50-250 ft-lbs	1 ea



Torque Multiplier 750 ft-lbs



- Maximum rated input: 227 ft-lbs (308 Nm)
- Maximum rated output: 750 ft-lbs (1017 Nm)
- Standard torque accuracy is +/- 5% of reading
- Reaction system: tubular reaction bar
- Gear system: single stage planetary

Item #	Description	Std Pkg
035-6202A	Torque Multiplier 750 ft-lbs	1 ea

Torque Multiplier 1200 ft-lbs



- Maximum rated input: 200 ft-lbs (271 Nm)
- Maximum rated output: 1200 ft-lbs (1626 Nm)
- Standard torque accuracy is +/- 5% of reading
- Reaction system: tubular reaction bar
- Gear system: single stage planetary
- Angle of turn protractor: 5° increments

Item #	Description	Std Pkg
035-6212	Torque Multiplier 1200 ft-lbs	1 ea

8 pc Long Folding Hex Key Set



- Chrome plated steel case is 5-1/4" long
- Black oxide bits are 4" long

Item #	Description	Std Pkg
035-4991	8 pc Long Folding Hex Key Set - 3/32" to 1/4"	6 ea

8 pc Folding Hex Key Set



- Chrome plated steel case is 3" long
- Black oxide bits are 1-1/4" to 1-5/16" long

Item #	Description	Std Pkg
035-4992	8 pc Folding Hex Key Set - .050 to 5/32"	6 ea

9 pc Folding Hex Key Set



- **Sizes:** 5/64"-1/4" Regular Hex Keys
- 4-1/2" OA Length
- Black Oxide Finish (Keys)
- Chrome Fold-up Case

Item #	Description	Std Pkg
035-4978	9 Pc Folding Hex Key	6 ea
035-4993	9 pc Folding Hex Key Set - 5/64" to 1/4"	6 ea

5 pc Long Folding Hex Key Set



- **Sizes:** 3/16"-3/8" Long Hex Keys
- 5-1/2" OA Length
- Black Oxide Finish (Keys)
- Chrome Fold-up Case

Item #	Description	Std Pkg
035-4994	5 pc Long Folding Hex Key Set - 3/16" to 3/8"	6 ea

6 pc Metric Long Folding Hex Key Set



- Chrome plated steel case is 6-1/2" long
- Black oxide bits are 5" long

Item #	Description	Std Pkg
035-4973	6 pc Metric Long Folding Hex Key Set	6 ea

7 pc Metric Folding Hex Key Set



- Chrome plated steel case is 3-1/2" long
- Black oxide bits are 3" long

Item #	Description	Std Pkg
035-4974	7 pc Metric Folding Hex Key Set	6 ea

13 pc Hex Key Set



- **Sizes:** .050-3/8" Regular L Hex Keys
- Black Oxide Finish Keys
- Molded Plastic Key Caddy

Item #	Description	Std Pkg
035-4980	13 pc Hex Key Set	5 ea

11 pc Hex Key Set



- **Sizes:** .50-1/4" Regular L Hex Keys
- Black Oxide Finish Keys
- Molded Plastic Key Caddy

Item #	Description	Std Pkg
035-4981	11 pc Hex Key Set	6 ea

13 pc Long Hex Key Set



- **Sizes:** .50-3/8" Regular L Hex Keys
- Black Oxide Finish Keys
- Molded Plastic Key Caddy
- 6-3/4" Overall Length

Item #	Description	Std Pkg
035-4983	13 pc Long Hex Key Set	6 ea



9 pc Metric Hex Key Set



- Molded plastic holder included
- Overall length for hex keys ranges from 44 mm to 109 mm
- Hex size ranges from 3/32" to 1-1/32"

Item #	Description	Std Pkg
035-4984	9 pc Metric Hex Key Set	10 ea

18 pc Hex Key Set w/Metal Box



- **Sizes:** .028-5/8" Regular L Hex Keys
- Black Oxide Finished Keys
- Metal Storage Box

Item #	Description	Std Pkg
035-4986	18 pc Hex Key Set - 0.028" to 5/8"	5 ea

14 pc Long Hex Key Set w/Metal Box



- **Sizes:** .050-1/2" Long L Hex Keys
- Black Oxide Finished Keys
- Metal Storage Box

Item #	Description	Std Pkg
035-4987	14 pc Long Hex Key Set - .050" to 1/2"	1 ea

15 pc Metric Hex Key Set w/Metal Box



- **Sizes:** .070 mm-17 mm Metric Regular L Hex Keys
- Black Oxide Finished Keys
- Metal storage Box

Item #	Description	Std Pkg
035-4988M	15 pc Metric Hex Key Set - .7mm to 17mm	5 ea

11 pc T-Handle Hex Key Set



- **Sizes:** .028-5/8" Regular L Hex Keys
- Black Oxide Finished Keys
- Metal Storage Box

Item #	Description	Std Pkg
035-4968	11 pc T-Handle Hex Key Set	1 ea

6 pc Metric T-Handle Hex Key Set



- **Sizes:** 2MM to 6MM
- Cushion grip handle
- Hex size printed on handle

Item #	Description	Std Pkg
035-4969	6 pc Metric T-Handle Hex Key Set	1 ea

Adjustable Face Spanner Wrench



- Precision machined pins provide engagement with holes or slots on the face of a bearing or nut
- Used to tighten collars, lock nut rings and seal/packing nuts on hydraulic cylinders

Item #	Description	Std Pkg
035-C482	2" Adjustable Face Spanner Wrench	6 ea

Adjustable Pin Spanner Wrench



- Precision machined pins provide engagement with side holes or slots
- Used to tighten side slot nuts on collars, lock nuts and bearings

Item #	Description	Std Pkg
035-C492	1/8" Pin Spanner Wrench 3/4" to 2"	6 ea
035-C494	3/16" Pin Spanner Wrench 1-1/4" to 3"	6 ea
035-C495	1/4" Pin Spanner Wrench 1-1/4" to 3"	6 ea
035-C497	1/4" Pin Spanner Wrench 2" to 4-3/4"	6 ea
035-C499	3/8" Pin Spanner Wrench 4-1/2" to 6-1/4"	6 ea

7 pc Cold Chisel Set



- **Sizes:** 5/16"-7/8" Cutting Width
- For: Soft Cast Iron, Brass, Copper, Aluminum, Mild steel, Bolts & Nuts
- Roll-up Tool Pouch

Item #	Description	Std Pkg
035-86B	7 pc Cold Chisel Set	1 ea

26 pc Punch & Chisel Set



- Made from S2 steel and heat-treated for greater strength and durability.
- Modified parabolic striking end to help reduce mushrooming and chipping.
- Black oxide finish to help prevent rust corrosion.
- Identification pane is marked with the tool number and size in a black inlay.
- Includes a pouch for convenient storage solution.

Item #	Description	Std Pkg
035-46	26 pc Punch & Chisel Set	1 ea



12 pc Punch & Chisel Set



- Assorted Types and Sizes
- Made of S2 Steel
- Black Oxide Finish
- Highlighted Taper
- Roll-up Tool Pouch

Item #	Description	Std Pkg
035-2	12 pc Punch & Chisel Set	1 ea

7 pc Pin Punch Set



- **Sizes:** 3/64"-15/64"
- Made of S2 Steel
- Black Oxide Finish
- Two piece Design with Hardened Tips
- Roll-up Tool Pouch

Item #	Description	Std Pkg
035-47A	7 pc Pin Punch Set	1 ea

5 pc Long Drive Pin Punch Set



- **Tips Sizes:** 5/32"-5/16"
- Made of S2 Steel
- One piece Design for Strength
- Black Oxide Finish
- Roll-up Tool Pouch

Item #	Description	Std Pkg
035-48005L	5 pc Long Dr Pin Punch Set	1 ea

7 pc Super-Duty Pin Punch Set



- **Sizes:** 1/16"-1/4"
- One Piece Design
- Shock-Resistant Tool Steel
- Hardened, Quenched & Tempered
- Roll-up Tool Pouch

Item #	Description	Std Pkg
035-48007	7 pc Super-Duty Pin Punch Set	1 ea

7 pc Roll Pin Punch Set



- **Sizes:** 1/16"-1/4" Standard Roll Pins
- Black Oxide Finish
- Roll-Up Tool Pouch

Item #	Description	Std Pkg
035-49007	7 pc Roll Pin Punch Set	1 ea

5 pc Screw Extractor Set



- **Extractor Sizes:** 1/8"-7/8"
- With Pouch

Item #	Description	Std Pkg
035-9500A	5 pc Screw Extractor Set	1 ea

10 pc Screw Extractor Set



- **Extractor Sizes:** 1/8"-1"
- Blow Molded Box

Item #	Description	Std Pkg
035-9500B	10 pc Screw Extractor Set 1/4" to 1-1/2"	1 ea

Screw Extractor



- Use tap holder or wrench on extractor to turn out broken part
- Size stamped on extractor refers to drill bit size to be used with that extractor

Item #	Description	Std Pkg
035-9521	1/8" Screw Extractor	6 ea
035-9522	3/16" Screw Extractor	6 ea
035-9523	15/64" Screw Extractor	6 ea
035-9524	5/16" Screw Extractor	6 ea
035-9525	3/8" Screw Extractor	6 ea
035-9525B	15/32" Screw Extractor	6 ea
035-9526	9/16" Screw Extractor	6 ea
035-9527	21/32" Screw Extractor	6 ea
035-9528	13/16" Screw Extractor	6 ea
035-9529	1-1/16" Screw Extractor	6 ea

19 pc Combination Screwdriver Set



- Ergonomic Quad-Lobe Handle Design
- For Heavy Duty Assembly Applications
- 360° Textured Grip

Item #	Description	Std Pkg
035-1219SC	19 pc Screwdriver Set Phillips/Slotted Combo	1 ea



6 pc Phillips Screwdriver Set



- Four-sided handle design
- High-alloy steel shanks
- Fully grounded and chemically polished, then chrome plated
- Tip is finished in black oxide

Item #	Description	Std Pkg
035-1206SP	6 pc Duratek Phillips Screwdriver Set	1 ea

6 pc Slotted Screwdriver Set



- Four-sided handle design
- High-alloy steel shanks
- Fully grounded and chemically polished, then chrome plated
- Tip is finished in black oxide

Item #	Description	Std Pkg
035-1206SRF	6 pc Duratek Slotted Screwdriver Set	1 ea

8 pc Combination Screwdriver Set



- Chrome Finish with 360° Textured Grip
- Ergonomic Quad-Lobe Handle Design

Item #	Description	Std Pkg
035-1208SC	8 pc Combination Screwdriver Set	1 ea

7 pc Fractional Nut Driver Set



- Precision formed, heat-treated hex openings
- Color coded handles for easy identification
- One-piece shaft design for greater strength and durability

Item #	Description	Std Pkg
035-9200C	7 pc Fractional Nut Driver Set	1 ea

Duratek Phillips Screwdriver



- Four-sided handle design helps prevent "roll away" from the work surface
- High-alloy steel shanks are heat-treated
- Fully grounded and chemically polished, then chrome plated
- Tip is finished in black oxide

Item #	Description	Std Pkg
035-P0204R	#2 x 4" Phillips Screwdriver	6 ea

Duratek Slotted Screwdriver



- Four-sided handle design helps prevent "roll away" from the work surface
- High-alloy steel shanks are heat-treated
- Fully grounded and chemically polished, then chrome plated
- Tip is finished in black oxide

Item #	Description	Std Pkg
035-K1404R	1/4" x 4" Slotted Keystone Screwdriver	6 ea
035-K3810R	3/8" x 10" Slotted Keystone Screwdriver	6 ea

Diagonal Cutting Pliers



- Induction hardened cutting edges
- Thin narrow jaws for access in tight areas
- Plastisol grips for added comfort

Item #	Description	Std Pkg
035-206G	6" Diagonal Cutting Pliers	5 ea
035-207G	7-5/16" Diagonal Cutting Pliers	10 ea

Heavy-Duty Diagonal Cutting Pliers



- Induction hardened cutting edge
- Powerful leverage cuts heavy wire with ease
- Plastisol grips for added comfort

Item #	Description	Std Pkg
035-209G	7-5/16" HD Diagonal Cutting Pliers	10 ea
035-210G	8-1/2" HD Diagonal Cutting Pliers	2 ea

Needle Nose Pliers



- Diamond serrated jaws
- Plastisol grips for added comfort

Item #	Description	Std Pkg
035-220G	6-5/8" Needle Nose Pliers	1 ea

Long Thin Needle Nose Pliers



- Very thin nose allows access into minimum clearance areas
- Diamond serrated jaws
- Plastisol grips for added comfort

Item #	Description	Std Pkg
035-222G	6-1/16" Long Thin Needle Nose Pliers	1 ea



Extra Thin Needle Nose Pliers



- Extra slim-nose pliers for light precision work
- Designed for gripping, looping, and twisting wire in confined areas
- Plastisol grips for added comfort

Item #	Description	Std Pkg
035-223G	6-5/32" Long Extra Thin Needle Nose Pliers	6 ea

Needle Nose Pliers w/Side Cutter



- Induction hardened cutting edges
- Diamond serrated jaws
- Plastisol grips for added comfort

Item #	Description	Std Pkg
035-226G	6-5/8" Needle Nose Pliers w/Side Cutter	15 ea

Long Needle Nose Pliers



- Long handle for added leverage
- Diamond serrated jaws
- Plastisol grips for added comfort

Item #	Description	Std Pkg
035-228G	7-25/32" Long Needle Nose	15 ea

Long Reach Needle Nose Pliers



- Extra-long handle allows greater access to confined, restricted areas
- Improved fulcrum point provides more holding power at the tip with less gripping effort
- Plastisol grips for added comfort

Item #	Description	Std Pkg
035-240G	11-9/16" Long Reach Needle Nose Pliers	1 ea

Lock Ring Washer Pliers



- For spreading both soft iron "horseshoe" lock washers and tempered steel lock rings
- Plastisol grips for added comfort

Item #	Description	Std Pkg
035-250G	9" Lock Ring Washer Pliers	10 ea

Power-Track II Tongue & Groove Pliers



- Precision milled undercut groove joint
- Special fastener ensures permanent assembly
- Angled teeth provide superior gripping power

Item #	Description	Std Pkg
035-261SG	4-5/8" Power-Track T & G Pliers	25 ea
035-264SG	12" Power-Track T & G Pliers	1 ea
035-265SG	16" Power-Track T & G Pliers	1 ea

Linemans Pliers - New England Style



- Slim rounded nose for easy access in restricted spaces
- Diamond serrated jaws
- Plastisol grips for added comfort

Item #	Description	Std Pkg
035-267G	7-1/2" NE Style Lineman Pliers	15 ea

Linemans Pliers



- For utility linemen, wiring and electrical equipment installation, and maintenance
- Induction hardened cutting edges and diamond serrated jaws
- Built-in insulation crusher
- Plastisol grips for added comfort

Item #	Description	Std Pkg
035-268G	8-5/8" Lineman's Pliers	10 ea

Slip Joint Pliers w/Wire Cutter



- Two jaw positions.
- Shear type wire cutter.

Item #	Description	Std Pkg
035-275	5-3/4" Slip Joint Pliers w/Wire Cutter	5 ea
035-276	6-1/2" Slip Joint pliers w/Wire Cutter	10 ea
035-278	8" Slip Joint Pliers w/Wire Cutter	5 ea
035-280	9-1/2" Slip Joint Pliers w/Wire Cutter	10 ea

Wire Stripper Pliers



- Strips wire sizes 22, 24, 26, 28, and 30 AWG
- Wire cutter
- Pliers nose for pulling and looping wire
- Automatic spring return
- Plastisol grips for added comfort

Item #	Description	Std Pkg
035-296	6-1/16" Wire Stripper Pliers	5 ea



Slip Joint Pliers w/Wire Cutter & Grips



- Has two jaw positions and shear type wire cutter
- Plastisol grips for added comfort

Item #	Description	Std Pkg
035-278G	8-1/16" Slip Joint Pliers w/Wire Cutter	15 ea
035-280G	9-9/16" Pliers Slip Joint	10 ea

4 pc Convertible Retaining Ring Pliers Set



- Ring range: External (Shaft) 1/4" - 2"; Internal (Bore) 3/8" - 2

Item #	Description	Std Pkg
035-360C	4 pc Convertible Retaining Ring Pliers Set	1 ea

18 pc Small Pliers Set w/Replaceable Tips



- Includes one internal and one external pliers
- Covers ring range: External 1/4"-2", Internal 3/8"-2"
- Contains 16 interchangeable tips
- Pliers overall length 6-1/4"

Item #	Description	Std Pkg
035-380	18 pc Small Pliers Set w/Replaceable Tips	1 ea

Retaining Ring Convertible Pliers



- Converts from internal to external or vice versa, when pivot screw is moved to adjacent tapped hole
- Use with either External or Internal Retaining Rings
- Fixed tips are precision formed and induction hardened

Item #	Description	Std Pkg
035-385	7-1/2" .070 Retaining Ring Pliers	6 ea

Retaining Ring Pliers - Internal



- Used with Internal Retaining Rings
- Fixed tips are precision formed and induction hardened

Item #	Description	Std Pkg
035-389	5-3/8" .038 Retaining Ring Plier - Internal	6 ea
035-394	9" .090 Retaining Ring Plier - Internal	6 ea

Retaining Ring Pliers - External



- Used with External Retaining Rings
- Fixed tips are precision formed and induction hardened

Item #	Description	Std Pkg
035-393	6-7/8" Retaining Ring Plier- External	6 ea
035-395	9-1/8" .070 Retaining Ring Plier- External	6 ea
035-397	6-1/8" .038 Retaining Ring Plier External	6 ea

Red Aviation Snips - Left



- Compound leverage multiplies handle pressure and increases control
- Serrated blades for maximum grip of the material being cut
- Color coded vinyl grips

Item #	Description	Std Pkg
035-303L	10" Red Aviation Snip Cuts Left	10 ea

Green Aviation Snips - Right



- Compound leverage multiplies handle pressure and increases control
- Serrated blades for maximum grip of the material being cut
- Color coded vinyl grips

Item #	Description	Std Pkg
035-303R	10" Green Aviation Snip Cuts Right	10 ea

Yellow Aviation Snips - Straight



- Compound leverage multiplies handle pressure and increases control
- Serrated blades for maximum grip of the material being cut
- Color coded vinyl grips

Item #	Description	Std Pkg
035-303S	10" Yellow Aviation Snip Cut Straight	10 ea

Miniature Snips



- Increased length of cut from 1-1/8" to 2".
- Serrated bottom blade to grip material
- Cuts up to 26 gauge cold-roll sheet metal
- Copper wire up to 18 AWG
- Soft steel wire up to 22 AWG

Item #	Description	Std Pkg
035-308	6-1/2" Mini Snips w/Ergonomic Handle	10 ea



3 pc Safety Wire Twister Plier Set



- Includes 6" and 9" wire twister pliers and deep reach pliers
- Packed in handy, durable plastic storage case

Item #	Description	Std Pkg
035-194	3 pc Safety Wire Twister Plier Set	1 ea

Safety Wire Twister Pliers - 191



- Use with .020-.060 Wire (Includes SS)
- Automatic Spring Return
- Heat-treated Edges
- Holds Wire Securely
- Standard Grip

Item #	Description	Std Pkg
035-191	10-3/8" Safety Wire Pliers	1 ea

Safety Wire Twister Pliers



- Use with .020-.060 Wire (includes SS)
- Automatic Spring Return
- Heat-treated Edges
- Holds Wire Securely
- Ergonomically Designed Grip

Item #	Description	Std Pkg
035-192	10-3/8" Ergo Safety Wire Pliers	1 ea

Brass Hammer - Fiberglass Handle



- Spark-resistant
- Fiberglass handle
- Ergonomic, non-slip grip
- Mar-resistant soft brass head

Item #	Description	Std Pkg
035-1430G	1.5 lb Brass Hammer Fiberglass Handle	2 ea
035-1431G	3.8 lb Brass Hammer Fiberglass Handle	1 ea
035-1432G	2.6 lb Brass Hammer Fiberglass Handle	1 ea

Dead Blow Hammer



- Spark-resistant for safe use near combustible materials.
- Head contains steel shot to help prevent rebound and vibration.
- Fiberglass handle.

Item #	Description	Std Pkg
035-1430DB	2 lb Dead Blow Hammer	1 ea
035-1431DB	4 lb Dead Blow Hammer	1 ea

Double Faced Sledge Hammer



- Fiberglass handle
- Slip-resistant cushion grip
- For striking metal, concrete, and stone

Item #	Description	Std Pkg
035-1434G	3 lb Double Faced Sledge Hammer	1 ea
035-1435G	4 lb Double Faced Sledge Hammer	1 ea
035-1436G	6 lb Double Faced Sledge Hammer	1 ea

Aligning Pry Bar



- Black oxide finish
- For prying, positioning, and aligning applications

Item #	Description	Std Pkg
035-2120	18" Aligning Pry Bar	1 ea
035-2124	24" Aligning Pry Bar	1 ea
035-2125	30" Aligning Pry Bar	1 ea

Rolling Head Pry Bar



- Long pointed taper
- 90° rolling head for leverage
- Shank width is 1/2"

Item #	Description	Std Pkg
035-2126	12" Rolling Head Pry Bar	1 ea
035-2130	16" Rolling Head Pry Bar	1 ea

Large Handle Pry Bar



- Large four-sided handle
- Tip width is 5/8" inch

Item #	Description	Std Pkg
035-2140	14" Large Handle Pry Bar	1 ea
035-2142	18" Large Handle Pry Bar	1 ea
035-2146	28" Large Handle Pry Bar	1 ea
035-2148	32" Large Handle Pry Bar	1 ea

Gasket and Carbon Scraper



- Angled blade
- Blade width is 1-1/2"
- For removing gaskets and carbon
- Comfortable, four sided handle

Item #	Description	Std Pkg
035-2336	1-1/2" x 12" Gasket & Carbon Scraper	1 ea
035-2338	11/16" x 11" Gasket & Carbon Scraper	1 ea



12 pc 10 Ton 2-Way Puller Set



- 10 Ton
- 2-Way Straight Jaw

Item #	Description	Std Pkg
035-4234B	12 pc 10 Ton 2-Way Straight Jaw Puller Set	1 ea

2-Way Threaded Crossarm



- Thread size: 12"
- Height: 1", Width: 1", Length: 6"

Item #	Description	Std Pkg
035-4206CA	2-Way Threaded Crossarm	1 ea

6 Ton 2-Way/3-Way Puller Set



- 6 Ton
- 2-Way/3-Way Puller Set

Item #	Description	Std Pkg
035-4252	6 Ton 2-Way/3-Way Puller Set	1 ea

9 Blade Feeler Gauge Set



- Thickness Range: 0.0030-0.180
- Metric or Inch
- 3" Blades

Item #	Description	Std Pkg
035-000A	9 Blade Feeler Gauge Set	1 ea

25 Blade Feeler Gauge Set



- 1/2" x 3" blades in steel holder
- Sizes: .0015" thru .040" except .019"

Item #	Description	Std Pkg
035-000AA	25 Blade Feeler Gauge Set	1 ea

16 Blade Overhead Valve Feeler Gauge Set



- **Sizes:** .009", .010", .011", .014", .015", .016", .017", .018", .019", .020", .021", .023", .024", .025", .026", .027"
- 1/2" wide bent gauges for setting overhead valves
- Blades are offset at a right angle

Item #	Description	Std Pkg
035-000R	16 Blade Overhead Valve Feeler Gauge Set	1 ea

12 Blade Long Feeler Gauge Set



- 1/2" x 12" blades in steel holder
- **Sizes:** .0015", .002", .003", .004", .005", .006", .008", .010", .012", .014", .015", .020"

Item #	Description	Std Pkg
035-000SL	12 Blade Long Feeler Gauge Set	1 ea

25 Blade Long Feeler Gauge Set



- **Sizes:** .0015", .002", .003", .004", .005", .006", .008", .010", .012", .014", .015", .020"

Item #	Description	Std Pkg
035-000TL	25 Blade Long Feeler Gauge Set	1 ea

Telescopic Inspection Mirror



- Versatile all-angle ball joint
- Features telescoping handle
- Includes pocket clip

Item #	Description	Std Pkg
035-2373	2-1/8" x 3-1/2" Telescopic Inspection Mirror	1 ea

Compression Tester



- Dual reading scale
- Neoprene "O" rings
- Flexible hose and quick-disconnect coupler
- Includes adapters for 14mm and 18mm spark plugs

Item #	Description	Std Pkg
035-CTR10	11" Compression Tester f/PSI & Metric Values	1 ea



Adjustable Wrench



- Heat treated alloy steel
- Polished heads
- Precision crafted for smooth operation

Item #	Description	Std Pkg
056-W10C	10" Adjustable Wrench	1 ea
056-W12C	12" Adjustable Wrench	1 ea
056-W415C	15" Adjustable Wrench	1 ea
056-W418P	18" Adjustable Wrench	1 ea
056-W424P	24" Adjustable Wrench	1 ea
056-W6C	6" Adjustable Wrench	1 ea
056-W8C	8" Adjustable Wrench	1 ea



Adjustable Wrench - 3pc Set



- Soft cushion grips with ergonomic shape
- Precision SAE and Metric rule on wrench
- SAE box ends in handles: 3/8, 9/16 and 3/4"
- 6", 8" and 12"

Item #	Description	Std Pkg
056-W30703	3pc Adjustable Wrench Set	1 set

Steel Pipe Wrench



- Precision milled and drop forged steel jaws
- Durable protective enamel paint
- Heavy duty finish

Item #	Description	Std Pkg
056-W1133-10B	10" Steel Pipe Wrench	1 ea
056-W1133-12B	12" Steel Pipe Wrench	1 ea
056-W1133-14B	14" Steel Pipe Wrench	1 ea
056-W1133-24B	24" Steel Pipe Wrench	1 ea
056-W1133-36B	36" Steel Pipe Wrench	1 ea
056-W1133-8B	8" Steel Pipe Wrench	1 ea

Aluminum Pipe Wrench



- Precision milled and drop forged steel jaws
- Strong and lightweight aluminum handles

Item #	Description	Std Pkg
056-W2110	10" Alum Pipe Wrench	1 ea
056-W2114	14" Alum Pipe Wrench	1 ea
056-W2118	18" Alum Pipe Wrench	1 ea
056-W2124	24" Alum Pipe Wrench	1 ea
056-W2136	36" Alum Pipe Wrench	1 ea
056-W2148	48" Alum Pipe Wrench	1 ea

11 pc SAE Combination Wrench Set



- **Sizes:** 1/4, 5/16, 3/8, 7/16, 1/2, 9/16, 5/8, 11/16, 3/4, 13/16 & 7/8"
- Chrome Vanadium Steel
- Fully polished finish
- Handy storage rack

Item #	Description	Std Pkg
056-W1061	11 Pc SAE Combination Wrench Set	1 ea

Combination Wrench



- Drop forged and hardened chrome alloy steel
- Box ends feature rounded corners for increased torque
- Professional style raised panel, full pattern design

Item #	Description	Std Pkg
056-W320C	1/4" Combination Wrench	1 ea
056-W321C	5/16" Combination Wrench	1 ea
056-W322C	3/8" Combination Wrench	1 ea
056-W323C	7/16" Combination Wrench	1 ea
056-W324C	1/2" Combination Wrench	1 ea
056-W325C	9/16" Combination Wrench	1 ea
056-W326C	5/8" Combination Wrench	1 ea
056-W327C	11/16" Combination Wrench	1 ea
056-W328C	3/4" Combination Wrench	1 ea
056-W329C	13/16" Combination Wrench	1 ea
056-W330C	7/8" Combination Wrench	1 ea
056-W331C	15/16" Combination Wrench	1 ea
056-W332C	1" Combination Wrench	1 ea
056-W333C	1-1/16" Combination Wrench	1 ea
056-W334C	1-1/8" Combination Wrench	1 ea
056-W340C	1-1/4" Combination Wrench	1 ea
056-W343B	1-3/8" Combination Wrench	1 ea
056-W344B	1-1/2" Combination Wrench	1 ea
056-W345B	1-5/8" Combination Wrench	1 ea
056-W346B	1-3/4" Combination Wrench	1 ea
056-W347B	1-7/8" Combination Wrench	1 ea
056-W348B	2" Combination Wrench	1 ea
056-W353B	2-1/8" Combination Wrench	1 ea
056-W354B	2-1/4" Combination Wrench	1 ea
056-W355B	2-3/8" Combination Wrench	1 ea
056-W356B	2-1/2" Combination Wrench	1 ea
056-W376B	1-5/16" Combination Wrench	1 ea
056-W377B	1-7/16" Combination Wrench	1 ea
056-W378B	1-11/16" Combination Wrench	1 ea
056-W379B	1-13/16" Combination Wrench	1 ea

14 pc SAE Combination Wrench Set



- **Sizes:** 3/8, 7/16, 1/2, 9/16, 5/8, 11/16, 3/4, 13/16, 7/8, 15/16, 1, 1 1/16, 1 1/8 & 1 1/4"

Item #	Description	Std Pkg
056-W1114	14 pc Combo Wrench Set 3/8 to 1-1/4" SAE	1 set

14 pc Metric Combination Wrench Set



- **Sizes:** 6, 7, 8, 9, 10, 11, 12, 13, 14, 15, 17, 19, 21 & 22 mm

Item #	Description	Std Pkg
056-W1114M	14 pc Combo Wrench Set Metric 14 pc 6-22mm	1 set



6 pc Jumbo Wrench Set



- **Sizes:** 1 3/8, 1 1/2, 1 5/8, 1 3/4, 1 7/8 & 2"

Item #	Description	Std Pkg
056-S/6	6 pc Jumbo Wrench Set 1-3/8" to 2"	1 set

4 pc Jumbo Wrench Set



- **Sizes:** 2 1/8, 2 1/4, 2 3/8 & 2 1/2"

Item #	Description	Std Pkg
056-S/4	4 pc Jumbo Wrench Set 2-1/8" to 2-1/2"	1 set

7 pc Ratcheting SAE Combo Wrench Set



- **Sizes:** 5/16, 3/8, 7/16, 1/2, 9/16, 5/8 & 3/4"
- 72 gear teeth for a precise 5° sweep

Item #	Description	Std Pkg
056-W30630	7 pc Ratcheting SAE Combo Wrench Set 5/16-3/4"	1 set

7 pc Ratcheting Metric Combo Wrench Set



- **Sizes:** 8, 10, 12, 13, 14, 15 & 18mm
- 72 gear teeth for a precise 5° sweep

Item #	Description	Std Pkg
056-W30631	7 pc Ratcheting Metric Set Combo Wrench 8-16"	1 set

12 pc Ratcheting SAE Combo Wrench Set



- **Sizes:** 1/4, 5/16, 3/8, 7/16, 1/2, 9/16, 5/8, 11/16, 3/4, 13/16, 7/8 & 1"
- 72 gear teeth for a precise 5° sweep

Item #	Description	Std Pkg
056-W30641	12 pc Ratcheting SAE Combo Wrench Set 1/4-1"	1 set

12 pc Ratcheting Metric Combo Wrench Set



- **Sizes:** 8, 9, 10, 11, 12, 13, 14, 15, 16, 17, 18 & 19mm
- 72 gear teeth for a precise 5° sweep

Item #	Description	Std Pkg
056-W30642	12 pc Ratcheting Metric Set Combo Wrench 8-19"	1 set

3/8" Dr SAE Socket Set



- **6pt socket sizes:** 3/8, 7/16, 1/2, 9/16, 5/8, 11/16 & 3/4"
- **6pt deep socket sizes:** 3/8, 7/16, 1/2, 9/16, 5/8, 11/16 & 3/4"
- **Spark plug socket sizes:** 5/8" & 13/16"
- 3/8" dr. ratchet, 3 & 6" extensions, U-joint

Item #	Description	Std Pkg
056-W38911	20 pc 3/8" Drive SAE Socket Set	1 set

3/8" Dr Metric Socket Set



- **6pt socket sizes:** 10, 11, 13, 14, 15, 16, 17 & 19mm
- **6pt deep socket sizes:** 10, 11, 12, 13, 14, 15, 16, 17 & 19mm
- **Spark plug socket sizes:** 16 & 21mm
- 3/8" dr. ratchet, 3 & 6" extensions, U-joint

Item #	Description	Std Pkg
056-W38914	23 pc 3/8" Drive Metric Socket Set	1 set

3/8" Dr SAE/Metric Socket Set



- **6pt SAE Sizes:** 3/8, 7/16, 15/32, 1/2, 9/16, 5/8, 11/16, 3/4 & 13/16"
- **6pt Metric Sizes:** 9, 10, 11, 12, 13, 14, 15, 17 & 19mm

Item #	Description	Std Pkg
056-W38301	19 pc Socket Set 3/8" Drive SAE/Metric	1 set

1/2" Dr SAE Socket Set



- **6pt SAE Sizes:** 3/8, 7/16, 1/2, 9/16, 5/8, 11/16, 3/4 & 13/16"
- **6pt Metric Sizes:** 10, 11, 12, 13, 14, 15, 17 & 19mm

Item #	Description	Std Pkg
056-W38302	17 pc 1/2" Drive Socket Set	1 set

1/2" Dr SAE Deep & Std Socket Set



- **6pt Sizes:** 3/8, 7/16, 1/2, 9/16, 5/8, 11/16, 3/4, 13/16, 7/8, 15/16 & 1"
- **6pt Deep Sizes:** 1/2, 9/16, 5/8, 11/16, 3/4, 13/16, 7/8 & 15/16"
- **Spark Plug Sizes:** 5/8 & 13/16"
- 1/2" dr. ratchet, 3 & 5" extensions, 10" flex handle, universal joint

Item #	Description	Std Pkg
056-W32901	26 pc 1/2" Drive SAE Socket Set Deep & Standard	1 set

3/4" Dr SAE 21 pc Socket Set



- **SAE 12pt Socket Sizes:** 7/8, 15/16, 1, 1-1/16, 1-1/8, 1-3/16, 1-1/4, 1-5/16, 1-3/8, 1-7/16, 1-1/2, 1-5/8, 1-3/4, 1-13/16, 1-7/8 & 2"
- 4, 8 & 16" extensions, 3/4" dr. 18" T-handle, 3/4" Dr ratchet

Item #	Description	Std Pkg
056-W34904	21 pc 3/4" Drive SAE Socket Set	1 set



1/2" Dr SAE/Metric Socket Set



- **SAE std. Sizes:** 1/2, 9/16, 5/8, 11/16, 3/4, 13/16, 7/8, 15/16, 1, 1-1/16, 1-1/8 & 1-1/4"
- **SAE Deep Sizes:** 9/16, 5/8, 3/4, 13/16, 7/8 & 15/16"
- **SAE Spark Plug sizes:** 5/8 & 13/16"
- **Metric std. Sizes:** 12, 13, 14, 15, 17, 18, 19, 21, 22 & 24mm
- **Metric Deep Sizes:** 14, 15, 17, 18, 19 & 21mm
- 1/2" Dr ratchet, 15" flex handle, universal joint, 3 & 6" extensions

Item #	Description	Std Pkg
056-W32905	40 pc 1/2" Drive Mechanics Set Metric & SAE	1 set

3/4" Dr 21 pc Socket Set



- **SAE sockets sizes:** 7/8 to 2"
- 20" ratchet, 18" flex handle, 4 and 8" extensions

Item #	Description	Std Pkg
056-W1180	21 pc 3/4" Drive Socket Set 7/8" - 2"	1 set

3/4" Dr 8 pc Socket Set



- **SAE Sizes:** 2 1/16, 2 1/8, 2 3/16, 2 1/4, 2 5/16, 2 3/8, 2 7/16 & 2 1/2"

Item #	Description	Std Pkg
056-W1179	8 pc 3/4" Drive Socket Set 2-1/16" to 2-1/2"	1 set

3/8" & 1/4" Dr Socket Set



- **Socket sizes:** 5/32" - 3/4" & 4 - 17mm
- Ratchet, extension bar, 1/4" spinner handle, spark plug socket, adaptor and more
- 1/4" & 3/8" dr. sockets

Item #	Description	Std Pkg
056-W1173	40 pc 3/8" & 1/4" Drive Socket Set	1 set

1/4" Dr Socket Set



- **Socket Sizes:** 5/32, 3/16, 7/32, 1/4, 9/32, 5/16, 11/32, 3/8, 7/16 & 1/2"
- **Deep Socket Sizes:** 7/32, 1/4, 5/16, 3/8, 7/16 & 1/2"
- **MM Socket Sizes:** 4, 5, 6, 7, 8, 9, 10, 11, 12 & 13mm
- **Deep MM Socket Sizes:** 4, 6, 7, 8, 10 & 12mm
- Spinner handle, universal joint, 3" extension bar, ratchet

Item #	Description	Std Pkg
056-W36905	36 pc 1/4" Drive Mechanics Set	1 set

3/8" & 1/2" Dr Socket & Bit Set



- **1/4" Dr 6 pt sockets:** 5/32, 3/16, 7/32, 1/4, 9/32, 5/16, 11/32 & 3/8", 4, 4.5, 5, 5.5, 6, 6.5, 7, 8, 9 & 10mm
- **3/8" Dr 6 pt sockets:** 3/8, 7/16, 1/2, 9/16, 5/8, 11/16 & 3/4", 10, 11, 12, 13, 14, 15, 17 18mm
- **1/2" Dr 6 pt sockets:** 5/8, 11/16, 3/4, 13/16 & 7/8", 14, 15, 17, 18 & 19mm
- **3/8" Dr deep sockets:** 3/8, 7/16, 1/2 & 9/16", 10, 11, 12 & 13mm
- 3/8 & 1/2" Dr ratchets, 3/8" Dr U-joint, 3/8" Dr 3" extension, 3/8" F x 1/4" M reducing adaptor, 1/2" F x 3/8" M reducing adaptor, Magnetic bit driver and 22 1" bits, 16 hex keys on rings

Item #	Description	Std Pkg
056-W1198	100 pc Socket & Bit Set	1 set

1/2" Dr Socket Set



- **Sizes:** 7/16, 1/2, 9/16, 5/8, 11/16, 3/4, 13/16, 7/8, 15/16 & 1"
- Large size laser etching

Item #	Description	Std Pkg
056-M592DB	10 pc 1/2" Drive Socket Set 7/16" thru 1"	1 set

3/8" Dr Ratchet



- Quick Release feature
- Chrome vanadium alloy steel
- Polished nickel chrome plated finish
- 72 gear teeth

Item #	Description	Std Pkg
056-W38101	3/8" Drive Ratchet Teardrop Quick Release	1 ea

3/8" Dr Flex Handle Breakover Bar



- Chrome vanadium alloy steel construction for strength and durability
- Polished nickel chrome plated finish resists corrosion

Item #	Description	Std Pkg
056-W38118	3/8" Drive 10" Flex Handle	1 ea

1/2" Dr Ratchet



- Quick Release feature
- Chrome vanadium alloy steel construction
- Polished nickel chrome plated finish
- 45 gear teeth
- Larger gear teeth for higher torque
- 9 1/2" Length

Item #	Description	Std Pkg
056-W32106	1/2" Drive Ratchet 9-3/4"	1 ea



1/2" Dr Teardrop Ratchet



- Quick Release feature
- Chrome vanadium alloy steel construction
- Polished nickel chrome plated finish
- 72 gear teeth
- Larger gear teeth for higher torque
- 9 1/2" Length

Item #	Description	Std Pkg
056-W32101	1/2" Drive 12" Teardrop Ratchet	1 ea

1/2" Dr Flex Handle Breakover Bar



- Chrome vanadium alloy steel construction
- Polished nickel chrome plated finish
- 15" Length

Item #	Description	Std Pkg
056-W32119	1/2" Drive 15" Breakover Bar Flex Handle	1 ea

1/2" Dr Breakover Bar



- Chrome vanadium alloy steel construction
- Polished nickel chrome plated finish
- 18" Length

Item #	Description	Std Pkg
056-W32120	1/2" Drive 18" Breakover Bar	1 ea

3/4" Dr Ratchet



- Quick Release feature
- Extended length for extra leverage
- 19 1/2" Length
- Chrome vanadium alloy steel construction
- Polished nickel chrome plated finish
- 43 gear teeth

Item #	Description	Std Pkg
056-W34101	3/4" Drive 19-1/2" Ratchet	1 ea

3/4" Dr Breakover Bar



- Chrome vanadium alloy steel construction
- Polished nickel chrome plated finish
- 19" Length

Item #	Description	Std Pkg
056-W34120	3/4" Drive 19" Breakover Bar	1 ea

Torque Wrench - 3/8" Drive



- Dual scale measurement adjustments in both Inch-Pound and Newton meter
- Patented torque adjusting lock/unlock collar
- Precision 41 tooth ratched head
- Includes a heavy duty storage case
- Size: 3/8 Inch Drive, Range: 10 to 100 ft. lbs

Item #	Description	Std Pkg
056-M198	3/8" Drive Torque Wrench 10-100 foot lbs	1 ea

Torque Wrench - 1/2" Drive



- Chrome plated alloy steel
- Ratchet style with engraved scale
- Nickel chrome plated alloy steel
- Size: 1/2" Dr., 10 to 150 ft. lbs

Item #	Description	Std Pkg
056-M200DB	1/2" Drive Torque Wrench	1 ea

Torque Wrench - 3/4" Drive



- 3/4 dr reversible clicker type torque wrench
- Measures from 100 to 600 ft-lbs in 1 pound increments
- Body engraved with ft-pound and newton-meters
- Heavy duty ABS storage and carrying case included

Item #	Description	Std Pkg
056-M204	3/4 Drive Torque Wrench 100-600 foot lbs	1 ea

1/2" F Adapter



- Chrome vanadium alloy steel construction
- Polished nickel chrome plated finish
- Resists corrosion

Item #	Description	Std Pkg
056-W32157	Adapter 1/2" F X 3/8" M	1 ea

3/4" F Adapter



- Chrome vanadium alloy steel construction
- Polished nickel chrome plated finish
- Resists corrosion

Item #	Description	Std Pkg
056-W34157	Adapter 3/4" F X 1/2" M	1 ea

5 pc Plier Set



- **Set contains:** 6" slip joint pliers, 7" diagonal pliers, 8" long nose pliers, 8" linesman pliers and 10" groove joint pliers
- All pliers have Non slip molded grips

Item #	Description	Std Pkg
056-W1717	5 pc Plier Set (1 set/6 sets)	1 set



4 pc Long Nose Plier Set



- **Set Contains:** 11" 90° bent nose pliers, 45° bent nose pliers and 45° long nose pliers, plus 7" needle nose pliers
- Ergonomic cushion grip handles with safety rests

Item #	Description	Std Pkg
056-W30714	4 pc Long Nose Plier Set	1 set

Diagonal Plier



- Drop forged alloy steel construction
- Machine ground and polished jaws
- Ergonomic cushion grip handles

Item #	Description	Std Pkg
056-W1122C	6" Diagonal Plier	1 ea

Slip Joint Plier



- Drop forged alloy steel construction
- Machine ground and polished jaws
- Ergonomic cushion grip handles

Item #	Description	Std Pkg
056-W1121PC	8" Slip Joint Plier Cushion Grip	1 ea

Groove Joint Plier



- Drop forged alloy steel construction
- Machine ground and polished jaws
- Ergonomic cushion grip handles

Item #	Description	Std Pkg
056-W1119C	9-1/2" Groove Joint Plier	1 ea

Linesman Plier



- Ergonomic non slip molded grips
- Premium quality drop forged and hardened chrome vanadium steel
- Precision machined jaws for maximum gripping power

Item #	Description	Std Pkg
056-W30728	8" Linemans Plier	1 ea

Long Nose Plier



- Drop forged alloy steel construction
- Machine ground and polished jaws
- Heat treated cutting edges for added hardness
- Ergonomic cushion grip handles

Item #	Description	Std Pkg
056-W1117C	6" Long Nose Plier	1 ea

Needle Nose Pliers



- Drop forged alloy steel construction
- Machine ground and polished jaws
- Heat treated cutting edges for added hardness
- Ergonomic cushion grip handles

Item #	Description	Std Pkg
056-W1044	11" Long Needle Nose Straight Tip Cushion Grip	1 ea

Lock Grip Plier



- Drop forged and hardened alloy steel
- Precision machined jaws for better gripping
- Corrosion resistant finish
- Knurled adjustment screw
- Easy to use quick release lever

Item #	Description	Std Pkg
056-W1116C	10" Lock Grip Plier w/Curved Jaws	1 ea

Fence Plier



- Drop forged and hardened alloy steel
- Machine ground and polished jaws
- Ergonomic grip handles
- Hammer head, pick end and wire cutters

Item #	Description	Std Pkg
056-W1500	10" Fence Plier	1 ea

Crimper Tool



- Wire cutter, terminal crimper & wire stripper in one handy tool
- Black anodized finish with insulated grips
- Crimps 7mm to 8.5mm ignition wire

Item #	Description	Std Pkg
056-W86500	Crimping Tool 7-Way	1 ea



8 pc Orange Screwdriver Set



- **Phillips sizes:** #1 x 3", #2 by 4", stubby #2 x 1-1/2"
- **Slotted sizes:** 3/16 x 3", 1/4 x 4", 5/16 x 6", 3/8 x 8", stubby 1/4 x 1-1/2"

Item #	Description	Std Pkg
056-W904	8 pc Screwdriver Set Orange Handle	1 set

7 pc Professional Screwdriver Set



- **Slotted sizes:** 3/16 x 4", 1/4 x 4", 1/8 x 4", 3/8 x 8"
- **Phillips sizes:** #1 x 3", #2 x 4"

Item #	Description	Std Pkg
056-W80007	7 pc Professional Screwdriver Set	1 set

Phillips Screwdriver



- Ergonomic non slip molded grips
- Chrome vanadium steel with corrosion resistant satin finish
- Magnetic tips

Item #	Description	Std Pkg
056-W30964	Screwdriver Phillips #2 X 6"	1 ea

Slotted Screwdriver



- Ergonomic non slip molded grips
- Chrome vanadium steel with corrosion resistant satin finish
- Magnetic tips

Item #	Description	Std Pkg
056-W30987	Screwdriver Slotted 3/16" X 6"	1 ea
056-W30991	5/16 X 6" Slotted Screwdriver	1 ea
056-W30992	3/8 X 8" Slotted Screwdriver	1 ea
056-W30993	10" Slotted Screwdriver	1 ea

7 pc SAE Nut Driver Set



- **Sizes:** 3/16, 1/4, 5/16, 11/32, 3/8, 7/16 and 1/2"
- Pro style polypropylene handles

Item #	Description	Std Pkg
056-W950	7 pc SAE Nutdriver Set	1 set

7 pc Metric Nut Driver Set



- **Metric sizes:** 5, 6, 7, 8, 10, 11 & 12 mm
- Pro style polypropylene handles

Item #	Description	Std Pkg
056-W951	7pc Metric Nutdriver Set	1 set

8 pc Pick & Driver Set



- **Contains:** Curved hook, 90° hook, Offset 45° hook, 1/8" Slotted screwdriver, #0 Phillips screwdriver, Straight pick, T15 Star driver, T20 Star driver

Item #	Description	Std Pkg
056-W941	8 pc Pick & Driver Set	1 set

6 pc Hook & Pick Set



- **Set contains:** straight pick, 90° pick, double angle pick, complex pick, combination pick and hook pick
- Durable double injection molded handles
- Handy storage tray included

Item #	Description	Std Pkg
056-W942	6 pc Hook & Pick Set	1 set

10 pc SAE T-Handle Hex Key Set



- **SAE sizes:** 3/32, 7/64, 1/8, 9/64, 5/32, 3/16, 7/32, 1/4, 5/16 and 3/8"

Item #	Description	Std Pkg
056-W80274	10 pc SAE T-Handle Hex Key Set	1 set

10 pc Metric T-Handle Hex Key Set



- **Metric sizes:** 2, 2.5, 3, 4, 4.5, 5, 5.5, 6, 8 and 10mm

Item #	Description	Std Pkg
056-W80275	10 pc Metric T-handle Hex Key Set	1 set



12 pc Punch & Chisel Set



- **Includes:** (4) Cold Chisel, (3) Taper Punch, (2) Pin Punch, (1) Concrete Chisel, (1) Center Punch, (1) Cape Punch

Item #	Description	Std Pkg
056-W751	12 pc Punch & Chisel Set	1 set

Claw Hammer



- Drop forged high carbon steel head
- Heavy duty hardwood handle

Item #	Description	Std Pkg
056-W1076	16 oz Claw Hammer Wood Handle	1 ea

Rubber Mallet



- Hardwood handle
- Non-marring rubber head
- Wood handle
- Many uses around home and shop

Item #	Description	Std Pkg
056-W1146	32 oz Rubber Mallet Wood Handle	1 ea

Dead Blow Hammer



- High visibility color
- Reinforced steel handle with anti-shock grip
- Non-marring, non-sparking soft face

Item #	Description	Std Pkg
056-M7216	16 oz Hi-Viz Dead Blow Hammer	1 ea
056-M7224	24 oz Hi-Viz Dead Blow Hammer	1 ea
056-M7232	32 oz Hi-Viz Dead Blow Hammer	1 ea
056-M7264	64 oz Hi-Viz Dead Blow Hammer	1 ea

Impact Wrench - 1" Drive



- 1" Drive HD impact wrench, 6" extended anvil
- Built-in air regulator, Weight 31.1 lbs

Item #	Description	Std Pkg
056-M634	1" Drive Impact Wrench 6"/Extended Anvil	1 ea

Impact Wrench - 3/4" Drive



- Powerful twin hammer clutch
- Lever select direction change
- 3 forward and 3 reverse speeds
- Socket retaining ring for rapid socket changes

Item #	Description	Std Pkg
056-M627	3/4" Drive Impact Wrench 700 Torque ft lbs	1 ea

HD Impact Wrench - 1/2" Drive



- Well balanced design
- Built-in air regulator
- 1/2" drive super duty impact wrench

Item #	Description	Std Pkg
056-M625	1/2" Drive Impact Wrench Max Torque 400 lbs	1 ea

Impact Wrench - 1/2" Drive



- Powerful rocking dog clutch 230ft/lbs of torque
- Push button direction change
- Built-in air regulator for precise speed control
- Lightweight and durable cast aluminum housing

Item #	Description	Std Pkg
056-M558DB	1/2" Drive Impact Wrench	1 ea

Impact Wrench - 3/8" Drive



- Well balanced design
- Right or left handed
- Built-in air regulator
- Economical 3/8" drive pistol grip impact wrench

Item #	Description	Std Pkg
056-M621	3/8" Drive Compact Impact Wrench	1 ea

HD Impact Wrench - 3/8" Drive



- Compact design
- Built-in air regulator
- Well balanced design
- Right or left handed

Item #	Description	Std Pkg
056-M622	3/8" Drive Heavy Duty Impact Wrench 190 ft lbs	1 ea

1/2" Dr Reversible Air Drill



- 1/2" chuck
- Weight: 3.30 lbs
- Variable speed throttle
- Side handle for better control

Item #	Description	Std Pkg
056-M651	1/2" Reversible Air Drill	1 ea



HD Air Chisel Kit



- Quick change spring safety retainer
- Includes 5 heat treated chisels
- Built-in air regulator

Item #	Description	Std Pkg
056-M668	Heavy Duty Air Chisel w/5 Chisels	1 ea

1/4" Dr Air Ratchet



- Quality construction triple planetary gear design
- Level throttle variable speed for precise control
- Ball type retainer for positive socket retention
- Specifications: 250 RPM, Bolt capacity: 5/16", Air inlet 1/4" NPT, Hose size 3/8" NPT, Weight 1.2 Lbs

Item #	Description	Std Pkg
056-M637	1/4" Drive Air Ratchet	1 ea

1/4" Dr Die Grinder



- 90° Angle head design allows use in confined areas
- Variable speed throttle, Weight 1.33 lb
- For detail work and finishing

Item #	Description	Std Pkg
056-M656	1/4" Die Grinder	1 ea

1/4" Dr HD Die Grinder



- Includes both 1/4 and 1/8" collets
- Built-in air regulator for precise speed control
- Variable speed safety throttle

Item #	Description	Std Pkg
056-M566DB	1/4" Heavy Duty Die Grinder 22000 RPM	1 ea

Bolt Cutter



- Precision milled and drop forged steel jaws
- Drop forged heat treated alloy steel construction handles
- Rubber hand grips for comfort and control
- Maximum cutting capacity: 5/16 in. (8mm)

Item #	Description	Std Pkg
056-BC-18	18" Bolt Cutter	1 ea
056-BC-24	24" Bolt Cutter	1 ea
056-BC-30	30" Bolt Cutter	1 ea
056-BC-36	36" Bolt Cutter	1 ea

C-Clamp



- Ductile Iron construction
- Larger swivel pad head
- Precision crafted chrome plated screw and spindle for smooth operation

Item #	Description	Std Pkg
056-W206C	3" C-Clamp	1 ea
056-W207C	4" C-Clamp	1 ea
056-W214C	6" C-Clamp	1 ea
056-W221	2" C-Clamp	1 ea

Diamond Back Tool Box



- Heavy-duty box recessed ergonomic comfort handle
- Strong double latch with padlock eyehole
- Removable inner tray

Item #	Description	Std Pkg
056-W54026	26" Diamond Back Tool Box	1 ea

Standard Hacksaw



- Adjustable frame with comfortable handle

Item #	Description	Std Pkg
056-W731	Standard 10-12" Adjustable Hacksaw	1 ea

Pro Heavy Duty Hacksaw



- Comfortable die cast aluminum handle
- 45° and 90° blade positioning
- Extra blades store in top bar

Item #	Description	Std Pkg
056-W732	Pro Heavy Duty Hacksaw	6 ea

2 Ton Cable Puller



- Automatic notch at a time release for maximum safety
- 2 ton pull capacity
- 12' cable

Item #	Description	Std Pkg
056-W4000DB	2 Ton Hand Power Puller 12' Cable	1 ea



2 Ton Floor Jack



- Swivel casters for easy positioning
- Maximum height 15"
- 4,000 lb. capacity

Item #	Description	Std Pkg
056-W1614	2 Ton Floor Jack 15" Max Height	1 ea

2 1/4 Ton Floor Jack



- Steel lifting saddle with 360° swivel
- Blow molded plastic case
- 4,500 lb capacity

Item #	Description	Std Pkg
056-W1611	2-1/4 Ton Jack w/Molded Plastic Case	1 ea

3 Ton Floor Jack



- Rapid lift feature allows you to quickly raise jack
- 4-5/8" to 19-3/4" lift range
- 6,000 lb. capacity

Item #	Description	Std Pkg
056-W1616	3 Ton Floor Jack 19-3/4" Max Height	1 ea

Bottle Jack



- Heavy duty base
- Adjustable top screws

Item #	Description	Std Pkg
056-W1621	2 Ton Hydraulic Bottle Jack	1 ea
056-W1623	4 Ton Hydraulic Bottle Jack	1 ea
056-W1625	6 Ton Hydraulic Bottle Jack	1 ea
056-W1628	8 Ton Hydraulic Bottle Jack	1 ea
056-W1632	12 Ton Hydraulic Bottle Jack	1 ea
056-W1633	20 Ton Hydraulic Bottle Jack	1 ea

Jack Stands



- Ratchet style for easy adjustments
- 12" to 17 1/4" range

Item #	Description	Std Pkg
056-W41022	3 Ton Jack Stands 12" -17" Height	1 ea

4-Way Lug Wrench - 20"



- Sizes: 3/4, 13/16, 7/8" and 19mm

Item #	Description	Std Pkg
056-W1	20" 4-way Lug Wrench	1 ea

4-Way Lug Wrench - 25"



- Sizes: 7/8", 15/16", 1" and 1 1/16"

Item #	Description	Std Pkg
056-W11	25" 4 Way Lug Wrench	1 ea

4 Way Valve Tool



- Compatible for all vehicle valves
- Reams inside the valve

Item #	Description	Std Pkg
056-60503	4 Way Valve Tool	12 ea

Portable Air Tank



- 125 PSI maximum
- On/off air adjustment dial
- Industrial grade air hose with standard tire air chuck

Item #	Description	Std Pkg
056-W10005	5 gal Portable Air Tank	1 ea
056-W10011	11 gal Portable Air Tank	1 ea

Lighted Magnetic Pick-Up Tool



- Bright LED light helps retrieve tools and parts up to 8 lbs
- Retriever extends over 27-1/2"
- Cushion grip handle

Item #	Description	Std Pkg
056-W1933	8" Lighted Magnetic Pick-up Tool	6 ea

Cleaning Brush



- Durable PVC bristles
- Essential around the shop for keeping parts free of build-up

Item #	Description	Std Pkg
056-W197B	Parts Cleaning Brush	12 ea



5 pc Tapered Screw Extractor Set



- **Sizes:** 1/8, 3/16, 15/64, 5/16 and 3/8"
- Flutes for more positive grip
- Includes handy organizer

Item #	Description	Std Pkg
056-W80562	5pc Tapered Screw Extractor Set	12 sets

3 pc Power Drill Socket Adapter Set



- 2" hex shank
- 1/4, 3/8 and 1/2" dr
- Ball bearing sockets
- Transforms power drill into a power nut driver

Item #	Description	Std Pkg
056-W1390	3 pc Power Drill Socket Adapter Set	12 sets

LED Safety Flare



- 12 bright red LEDs last up to 50 hours
- 5 light patterns: 3 LED area light, rotate, blink, flash, 12 LED light
- Swivel hook and magnet

Item #	Description	Std Pkg
056-W2368	Safety Flare 12 Red L.E.D.s. Swivel Hook & Magnet	6 ea

Cordless Circuit Tester



- Detects voltage from 3v to 28v
- No ground wire or clip required
- Includes 2 "N" type long-life batteries

Item #	Description	Std Pkg
056-W2979	Cordless Circuit Tester Includes 2 N-type Batteries	10 ea

12V Tester



- Checks 12 volt accessory circuit
- For autos, trucks, trailers and boats
- Test lead with alligator clip

Item #	Description	Std Pkg
056-W2975C	12V Deluxe Tester Alligator Clip Test Leads	12 ea

Cordless Pen Style Engraver



- Suitable for metal, plastic, wood, leather, stone and glass
- Includes pointed and round burrs

Item #	Description	Std Pkg
056-W50035	3V Pen Style Cordless Engraver w/battery	6 ea

Digital Caliper



- Large easy to read LCD display
- 0 mm to 150 mm metric range
- 0" to 6" SAE range

Item #	Description	Std Pkg
056-W80152	0-6" Digital Caliper 0 mm-150 mm	12 ea

Self-Powered Timing Light



- Detachable inductive pick up can be easily hooked up

Item #	Description	Std Pkg
056-W80578	Self-Powered Timing Light	6 ea

Blue Utility Knife



- Compact design folds down to 3 9/16"
- Change blades with the push of a button
- Handy belt clip

Item #	Description	Std Pkg
056-W2601	Utility Knife Blue Folding Lock Back	6 ea

Anti-Freeze Tester - W1654C



- Color coded indicator float
- Precision calibrated
- Acid resistant

Item #	Description	Std Pkg
056-W1654C	Pro Series Anti-Freeze Tester	6 ea



Anti-Freeze Tester - W1655C



- Works in hot or cold radiators
- Color coded balls for easy readings
- Reads ethylene glycol type anti-freeze

Item #	Description	Std Pkg
056-W1655C	Anti-Freeze Tester	24 ea

Tape Measure



- 25' x 1" Tape Measure
- Easy to find, bright color
- Durable casing
- Fractional readout every 1/8"

Item #	Description	Std Pkg
056-W5024	25' x 1" Tape Measure	6 ea

Magnetic Tip Tape Measure



- Fractional readout every 1/8"
- Standout length of 7'
- Easy to find bright color
- Extra sturdy 35' tape measure with extra wide 1" blade
- Durable casing

Item #	Description	Std Pkg
056-W5035	35' x 1" Tape Measure Magnetic Tip	4 ea

Electrical Tape



- 3/4" x 60' Electrical Tape
- Heavy gauge 7 mil.
- Thermo-plastic electrical tape
- 5000 volt rating

Item #	Description	Std Pkg
056-W502	Electrical Tape 3/4" X 60'	10 ea

Infrared Thermometer



- Backlight feature
- Large digital display
- Laser pointer for accurate use
- Temperature range: 0 to 960°F and -18 to 520°C
- Measures surface temperature without making contact

Item #	Description	Std Pkg
056-W89720	Infrared Thermometer Non-Contact	5 ea

Infrared Thermometer - W89721



- Temperature range from -58 to 716° F
- Laser pointer for accurate use
- Distance spot to ratio 12:1
- Accuracy +/- 1.5%
- Emissivity 0.95 Fixed
- Requires 9V battery (included)

Item #	Description	Std Pkg
056-W89721	Infrared Thermometer Non-Contact	10 ea

Air Grease Gun - M582DB



- Delivers 4500 PSI to 6000 PSI at the tip
- Knurled thick wall barrel for secure grip
- 9" flex tube or 5.5" ridged tube included
- Use 14 oz. grease cartridge, bulk or dispenser filling

Item #	Description	Std Pkg
056-M582DB	Air Grease Gun	1 ea

Hand Truck Dolly



- Extra large 14 x 7-1/2" toe plate
- Durable powder coated finish
- 18 gauge 1" steel tube frame
- 10" 4-Ply pneumatic tires
- 600 lbs. load capacity

Item #	Description	Std Pkg
056-W41060	600 lbs Hand Truck Dolly Pneumatic Tires	1 ea

Lever Action Dispenser Bucket Top



- **Contains:** Pump, 4' delivery hose and bucket/barrel cover
- Fits most 25 to 50 lb buckets

Item #	Description	Std Pkg
056-W54232	5 gal Lever Action Dispenser Bucket Top Style	1 ea

407 pc SAE O-Ring Assortment



- High tensile strength
- Nitrile butadiene rubber
- Not suitable for use with brake fluids
- Temperature range of -50°F to 220°F
- Suitable for many hydrocarbons, fats, oils, gas

Item #	Description	Std Pkg
056-W5202	407 pc SAE O-Ring Kit	6 ea



Tow Rope



- Durable polypropylene rope
- Diamond braided to absorb shock
- Lighter and stronger than chain
- Zinc plated steel forged hooks
- 20' x 7/8" Diameter

Item #	Description	Std Pkg
056-W1437	7/8" x 20' Tow Rope Zinc Plated Steel Hooks	1 ea



Ridgeline Full Brim Hard Hat - White



- Four point ratchet suspension
- Lightweight for comfort yet strong and rigid for protection

Item #	Description	Std Pkg
130-HP54110	Ridgeline Full Brim Hard Hat - White	12 ea

Ridgeline Full Brim Hard Hat - Gray



- Four point ratchet suspension
- Lightweight for comfort yet strong and rigid for protection

Item #	Description	Std Pkg
130-HP54113	Ridgeline Full Brim Hard Hat - Gray	12 ea

Ridgeline Full Brim Hard Hat - Red



- Four point ratchet suspension
- Shell constructed from high density polyethylene materials
- Ratchet suspension allows wearer to modify the fit while wearing hard hat

Item #	Description	Std Pkg
130-HP54120	Ridgeline Full Brim Hard Hat - Red	12 ea

Ridgeline Full Brim Hard Hat - Yellow



- Four point ratchet suspension
- Shell constructed from high density polyethylene materials
- Ratchet suspension allows wearer to modify

Item #	Description	Std Pkg
130-HP54130	Ridgeline Full Brim Hard Hat - Yellow	12 ea

Ridgeline Full Brim Hard Hat - Green



- Shell constructed from high density polyethylene materials
- Ratchet suspension allows wearer to modify the fit while wearing hard hat
- Can be converted to a 6-point suspension

Item #	Description	Std Pkg
130-HP54135	Ridgeline Full Brim Hard Hat - Green	12 ea

Ridgeline Full Brim Hard Hat - Blue



- Shell constructed from high density polyethylene materials
- Ratchet suspension allows wearer to modify the fit while wearing hard hat
- Can be converted to a 6-point suspension

Item #	Description	Std Pkg
130-HP54160	Ridgeline Full Brim Hard Hat - Blue	12 ea

Ridgeline 4pt Suspension Replacement



- 4-point replacement suspension for all Ridgeline full brim hard hats

Item #	Description	Std Pkg
130-HPR541	Ridgeline 4pt Suspension f/Full Brim Hard Hat	1 ea

PMXTREME - Black Frame/Clear Lens



- Built-in rubber nose piece
- Rubber temple tips
- Includes black lanyard cord

Item #	Description	Std Pkg
130-SB6310SP	Pmxtreme Black Frame/Clear Lens & Cord	12 pr

PMXTREME - Black Frame/Gray Lens



- Built-in rubber nose piece
- Rubber temple tips
- Includes black lanyard cord

Item #	Description	Std Pkg
130-SB6320SP	Pmxtreme Black Frame/Gray Lens & Cord	12 pr

PMXTREME - Black Frame/Amber Lens



- Built-in rubber nose piece
- Rubber temple tips
- Includes black lanyard cord

Item #	Description	Std Pkg
130-SB6330SP	Pmxtreme Black Frame/Amber Lens & Cord	12 pr

PMXTREME - Black Frame/Blue Mirror



- Built-in rubber nose piece
- Rubber temple tips
- Includes black lanyard cord

Item #	Description	Std Pkg
130-SB6375SP	Pmxtreme Black Frame/Blue Mirror Lens & Cord	12 pr

PMXTREME - Black Frame/Mirror Lens



- Built-in rubber nose piece
- Rubber temple tips
- Includes black lanyard cord

Item #	Description	Std Pkg
130-SB6380SP	Pmxtreme Black Frame/Mirror Lens & Cord	12 pr



PMXTREME - Camo Frame/Clear Lens



- Built-in rubber nose piece
- Rubber temple tips
- Includes black lanyard cord

Item #	Description	Std Pkg
130-SCM6310STP	Pmxtreme Camo Frame /Clear Lens & Cord	12 pr

PMXTREME - Camo Frame/Bronze Lens



- Built-in rubber nose piece
- Rubber temple tips
- Includes black lanyard cord

Item #	Description	Std Pkg
130-SCM6318STP	Pmxtreme Camo Frame/Bronze Lens & Cord	12 pr

PMXTREME - Camo Frame/Gray Lens



- Built-in rubber nose piece
- Rubber temple tips
- Includes black lanyard cord

Item #	Description	Std Pkg
130-SCM6320STP	Pmxtreme Camo Frame /Gray Lens & Cord	12 pr

PMXTREME - Red Frame/Gray Lens



- Built-in rubber nose piece
- Rubber temple tips
- Includes black lanyard cord

Item #	Description	Std Pkg
130-SR6320SP	Pmxtreme Red Frame/Gray Lens & Cord	12 pr

Capstone Goggles & Shield



- 4 ventilation holes provide appropriate airflow
- Polycarbonate shield conforms to the face

Item #	Description	Std Pkg
130-GG504TSHIELG	Capstone Goggle w/Face Shield Attachment	36 pr

QuikSteel

Quik Steel Putty



- Hardens like steel, can be drilled, sanded or painted
- Sets in 5 mins, hardens in 15 mins
- Withstands up to 500°F
- Sets up under water

Item #	Description	Std Pkg
136-6002	2 oz Quik Steel Putty	12 ea
136-6004	4 oz Quik Steel Putty	12 ea

Liquid Glass Radiator Repair



- For systems up to 6 gal
- Withstands up to 2000°F
- Liquid glass radiator repair
- Permanent cooling system sealer
- Made up of liquid glass and copper

Item #	Description	Std Pkg
136-1008	8 oz Seal Up Liquid Glass Radiator Repair	24 ea



Steel Toe Economy Rubber Boot



- Steel toes
- Height 16"
- 100% waterproof
- Black Molded PVC
- Contour heel cup molding
- Reinforced at critical stress points

Item #	Description	Std Pkg
079-18821-10	Size 10 Steel Toe Economy Rubber Boot	6 pr
079-18821-11	Size 11 Steel Toe Economy Rubber Boot	6 pr
079-18821-12	Size 12 Steel Toe Economy Rubber Boot	6 pr
079-18821-13	Size 13 Steel Toe Economy Rubber Boot	6 pr
079-18821-7	Size 7 Steel Toe Economy Rubber Boot	6 pr
079-18821-8	Size 8 Steel Toe Economy Rubber Boot	6 pr
079-18821-9	Size 9 Steel Toe Economy Rubber Boot	6 pr

Insulated Boot



- Polymeric Foam Insulation
- Cushion insoles reduce fatigue
- Heavy Trac Tread sole and heel
- Flexible hand layered construction

Item #	Description	Std Pkg
079-6147-10	Size 10 Insulated Boot	6 pr
079-6147-11	Size 11 Insulated Boot	6 pr
079-6147-12	Size 12 Insulated Boot	6 pr
079-6147-13	Size 13 Insulated Boot	6 pr
079-6147-6	Size 6 Insulated Boot	6 pr
079-6147-7	Size 7 Insulated Boot	6 pr
079-6147-8	Size 8 Insulated Boot	6 pr
079-6147-9	Size 9 Insulated Boot	6 pr



Ultra Pro Alkaline Battery - AAA



- Made in USA
- Mercury free formula
- Guaranteed fresh for 7 yrs
- Engineered for professional use

Item #	Description	Std Pkg
208-AL-AAA	AAA Alkaline Battery	96 ea



Ultra Pro Alkaline Battery - AA



- Made in USA
- Mercury free formula
- Guaranteed fresh for 7 yrs
- Engineered for professional use

Item #	Description	Std Pkg
208-AL-AA	AA Alkaline Battery	96 ea

Ultra Pro Alkaline Battery - C



- Made in USA
- Mercury free formula
- Guaranteed fresh for 7 yrs
- Engineered for professional use

Item #	Description	Std Pkg
208-AL-C	C Alkaline Battery	72 ea

Ultra Pro Alkaline Battery - D



- Made in USA
- Mercury free formula
- Guaranteed fresh for 7 yrs
- Engineered for professional use

Item #	Description	Std Pkg
208-AL-D	D Alkaline Battery	72 ea

Ultra Pro Alkaline Battery - 9V



- Mercury free formula
- 9V Guaranteed fresh for 5 yrs
- Engineered for professional use

Item #	Description	Std Pkg
208-AL-9V	9V Alkaline Battery	72 ea

Heavy Duty Industrial Battery - C



- Zinc chloride formula
- Shrink-wrapped packs
- Powers low-drain devices

Item #	Description	Std Pkg
208-HD-CD	C Heavy Duty Industrial Battery	72 ea

Heavy Duty Industrial Battery - D



- Zinc chloride formula
- Shrink-wrapped packs
- Powers low-drain devices

Item #	Description	Std Pkg
208-HD-DD	D Heavy Duty Industrial Battery	72 ea

6V Lantern Battery - Screw Top



- Screw terminals
- No mercury added
- General purpose use
- Durable and long-lasting
- Guaranteed against leakage

Item #	Description	Std Pkg
208-918	6V GP Lantern Battery - Screw Top	6 ea

6V Lantern Battery - Spring Top



- Long-lasting life
- No mercury added
- Guaranteed against leakage
- Meet EPA requirements for landfill disposal

Item #	Description	Std Pkg
208-941C	6V GP Lantern Battery - Spring Top	4 ea

6V HD Lantern Battery - Spring Top



- Spring terminals
- No mercury added
- Long-lasting power
- Industrial application use
- Guaranteed against leakage

Item #	Description	Std Pkg
208-944A	6V Heavy Duty Lantern Battery	4 ea

6V HD Lantern Battery - Screw Top



- Built to exceed performance demands of industrial applications
- Manufactured with no mercury added and is guaranteed against leakage
- Environmentally safe, meets EPA requirements for landfill

Item #	Description	Std Pkg
208-945R4C	6V Heavy Duty Lantern Battery	4 ea

3AAA LED Virtually Indestructible Headlight



- High: 50 Lumens Energy Saver: 21 Lumens
- (3) AAA RAYOVAC® alkaline batteries included
- 30 Foot Drop Test Performance
- ANSI FL1 Water Resistant

Item #	Description	Std Pkg
208-DIYHL3AAA-B	3AAA LED Virtually Indestructible Headlight	4 ea

3AAA LED Virtually Indestructible HD Headlight



- High: 180 Lumens Energy Saver: 50 Lumens
- (3) AAA RAYOVAC® alkaline batteries included
- Beam distance: 136 Meters
- ANSI FL1 Water Resistant

Item #	Description	Std Pkg
208-DIYHPL3-BC	3AAA LED HD Virtually Indestructible Headlight	4 ea

3AAA LED Virtually Indestructible Headlight



- High: 300 Lumens Low: 60 Lumens
- (3) AAA RAYOVAC® alkaline batteries included
- Beam distance: 150 Meters
- ANSI FL1 Water Resistant

Item #	Description	Std Pkg
208-DIYHPL3-BC	3AAA LED HD Virtually Indestructible Headlight	4 ea



2AA LED Virtually Indestructible Flashlight



- High: 300 Lumens Low: 70 Lumens
- (2) AA RAYOVAC® alkaline batteries included
- Beam distance: 161 Meters
- IPX4 water resistant

Item #	Description	Std Pkg
208-DIY2AA-BC	2AA LED Virtually Indestructible Flashlight	4 ea

Virtually Indestructible LED Flashlight



- High: 250 Lumens Low: 20 Lumens
- Beam distance: 171 Meters
- IPX4 water resistant
- (3) AAA RAYOVAC® alkaline batteries included

Item #	Description	Std Pkg
208-DIY3AAA-BC	3AAA LED Virtually Indestructible Flashlight	4 ea

2D LED Virtually Indestructible Flashlight



- High: 320 Lumens Low: 75 Lumens
- (2) D RAYOVAC® alkaline batteries included
- Beam distance: 302 Meters
- IPX4 water resistant

Item #	Description	Std Pkg
208-DIY2D-BC	2D LED Virtually Indestructible Flashlight	4 ea

3C LED Virtually Indestructible Flashlight



- High: 200 Lumens Low: 80 Lumens
- (3) C RAYOVAC® alkaline batteries included
- Beam distance: 151 Meters
- IPX4 water resistant

Item #	Description	Std Pkg
208-DIY3C-BC	3C LED Virtually Indestructible Flashlight	4 ea

4AA LED Virtually Indestructible Flashlight



- High 200 Lumens Low: 40 Lumens
- Includes (3) AA RAYOVAC® Alkaline Batteries
- Head Rotation of 180 Degrees
- Beam distance: 80 Meters
- IPX4 Water Resistant

Item #	Description	Std Pkg
208-DIYSL4AA-B	4AA LED Virtually Indestructible Swivel Flashlight	2 ea

6AA LED Virtually Indestructible Spotlight



- High: 250 Lumens Low: 20 Lumens
- Beam distance: 171 Meters
- IPX4 water resistant
- (3) AAA RAYOVAC® alkaline batteries included

Item #	Description	Std Pkg
208-DIY6AASP-BC	6AA LED Workhorse Indestructible Spotlight	2 ea

3AAA LED Metal Flashlight



- 40 Lumens
- 6 High Performance LEDs
- Beam Distance: 30 Meters
- (3) AAA RAYOVAC® High Energy Batteries Included

Item #	Description	Std Pkg
208-MWL3AAA-BT	3AAA LED Workhorse Metal Flashlight	12 ea

LED RoughNeck Headlight



- 80 lumens
- Water resistant
- Adjustable beam
- 7 hr battery run time

Item #	Description	Std Pkg
208-RNHL3AAA-B	3AAA LED RoughNeck Headlight with 2 Straps	4 ea

3AAA LED RoughNeck Tactical Flashlight



- 3 modes: High (220 Lumens), Low (90 Lumens), and Strobe
- (3) AAA RAYOVAC® alkaline batteries included
- Beam distance: 146 Meters
- Water resistant

Item #	Description	Std Pkg
208-RN3AAA-BA	3AAA LED RoughNeck Tactical Flashlight	4 ea

3AAA LED Spot-To-Flood Headlight



- 180 Lumens
- Beam distance: 61 Meters
- Hands-Free "Wave Sensor" Technology
- 4 Modes: High, Low, Dimming, Strobe/SOS
- Includes: (3) AAA RAYOVAC® batteries

Item #	Description	Std Pkg
208-STFHL3AAA-BT	3AAA LED Workhorse Spot-To-Flood Headlight	4 ea

2AA LED Spot-To-Flood Flashlight



- High: 250 Lumens Low: 20 Lumens
- Beam distance: 171 Meters
- IPX4 water resistant
- (3) AAA RAYOVAC® alkaline batteries included

Item #	Description	Std Pkg
208-STF2AA-B	2AA LED Workhorse Spot-To-Flood Flashlight	4 ea

3C LED Spot-To-Flood Flashlight



- High: 370 Lumens Low: 110 Lumens
- 3 Modes: High, Low, Strobe/SOS
- Beam distance: 220 Meters
- ANSI FL1 Water Resistant
- (3) C Rayovac alkaline batteries included

Item #	Description	Std Pkg
208-STF3C-B	3C LED Workhorse Spot-To-Flood Flashlight	4 ea



2D LED Industrial Flashlight



- 3 LEDs and 20 Lumens
- Beam distance: 32 Meters
- Water, grease and corrosion resistant
- 2 (D) zinc chloride batteries included

Item #	Description	Std Pkg
208-WHH2D-BA	2D LED Workhorse Hanging Ring Flashlight	6 ea

6V Krypton Swivel Lantern



- 75 Lumens
- Beam distance: 191 Meters
- 45° swivel
- Water resistant - lantern floats
- 6-Volt RAYOVAC® heavy duty batteries included

Item #	Description	Std Pkg
208-16V-B2A	6V Krypton Workhorse Swivel Stand Lantern	2 ea

6V Krypton Floating Lantern



- 75 Lumens
- Water resistant and floating
- 6-Volt or 4D Krypton lantern
- 45° swivel hands free stand

Item #	Description	Std Pkg
208-KFLA	6V Krypton Floating Lantern w/o Batteries	6 ea



Engineer Hammer - Fiberglass Handle



- 15-inch fiberglass handle and forged steel head
- Perfect for demolition work
- Patented head to handle connection has a reinforced steel pin for improved safety

Item #	Description	Std Pkg
161-3111000	4 lb Engineer Hammer w/15" Fiberglass Handle	4 ea

Sledge Hammer - Fiberglass Handle



- Constructed with a 34-inch fiberglass handle and forged steel head
- Ideal for demolition of concrete, tile, and drywall
- Patented head to handle connection has a reinforced steel pin for improved safety

Item #	Description	Std Pkg
161-3112000	6 lb Sledge Hammer w/34" Fiberglass Handle	4 ea
161-3113000	8 lb Sledge Hammer w/34" Fiberglass Handle	4 ea
161-3115000	10 lb Sledge Hammer w/34" Fiberglass Handle	4 ea
161-3116000	12 lb Sledge Hammer w/34" Fiberglass Handle	2 ea
161-3117000	16 lb Sledge Hammer w/34" Fiberglass Handle	2 ea

16" Drain Spade - Wood Handle



- Ideal for digging narrow trenches and cleaning out previously dug ditches
- 16 inch blade depth

Item #	Description	Std Pkg
161-2597400	14 ga Drain Spade D-Handle Open Back	4 ea

Square Point Shovel - Rolled Step



- Sturdy square point shovel is perfect for moving loose ground material, sand, top soil or debris
- Used to mix concrete, level off areas that need to be flat or to scrape stubborn material off hard surfaces

Item #	Description	Std Pkg
161-44101	LHSP Shovel Rolled Step - 48" Handle	6 ea

Rolled Point Shovel - Open Back



- Round point shovel is tough enough to dig in the hardest, rockiest soil
- Heavy duty, open back, industrial gauge, steel blade
- Blade comes with a forward turned step

Item #	Description	Std Pkg
161-45520	LHRP Shovel Open Back - 48" Handle	6 ea

Rolled Point Shovel - Closed Back



- Round point shovel is tough enough to dig in the hardest, rockiest soil
- Heavy duty, industrial gauge, steel blade with a closed back design to eliminate soil build-up
- 11 inch extended socket with dual rivet connection reduces handle breakage

Item #	Description	Std Pkg
161-45657	LHRP Shovel Closed-Back - 48" Handle	6 ea

16 Tine Road Rake - Wood Handle



- Level materials in a variety of applications
- Heavy duty forged 16 steel tines

Item #	Description	Std Pkg
161-63122	16 Tine Forged Level Road Rake HD - 60" Handle	6 ea



15 Tine Road Rake - Wood Handle



- Perfect for loosening or breaking up compacted soil and leveling areas
- It can also be used to collect leaves, hay, grass or other debris

Item #	Description	Std Pkg
161-63141	15 Tine Forged Bow Rake - 60" Wood Handle	6 ea

15 Tine Road Rake - Fiberglass Handle



- Perfect for loosening or breaking up compacted soil and leveling areas
- It can also be used to collect leaves, hay, grass or other debris

Item #	Description	Std Pkg
161-63184	15 Tine Forged Bow Rake - 60" Fiberglass Handle	6 ea

14 Tine Level Head Rake - 63112



- 14 Tine level head
- 66" North American Hardwood Handle
- Steel ferrule

Item #	Description	Std Pkg
161-63112	14 Tine Forged Road Rake - 66" Wood Handle	6 ea

7" Sidewalk/Ice Scraper



- Will scrape ice, concrete or anything else from road or floor surfaces
- Used to remove roofing, siding and flooring or to chop and remove roots
- Also great for digging and clearing trenches

Item #	Description	Std Pkg
161-78202	7" Sidewalk/ Ice Scraper - Wood Handle	3 ea

22 in Floor Scraper - 2451400



- 22" flexible and replaceable blade
- 65" North American Hardwood Handle

Item #	Description	Std Pkg
161-2451400	22" Industrial Floor Scraper - Wood Handle	6 ea

6" Garden Hoe - Wood Handle



- For chopping and weeding in the toughest soils
- 6.25-inch by 4.25-inch forged, shank pattern steel blade

Item #	Description	Std Pkg
161-71113	6" Garden Hoe - 60" Handle	6 ea

Post Hole Digger - Steel Handle



- For digging post hole and footings in all soil types
- It features a two-piece riveted high carbon steel blades with 6-inch point spread

Item #	Description	Std Pkg
161-78007	Steel Handle Post Hole Digger - 48" Handle	2 ea

Atlas Pattern Post Hole Digger - 78004



- 5.5" Point spread
- 48" North American hardwood handles
- Atlas pattern
- Two-piece riveted steel blades

Item #	Description	Std Pkg
161-78004	48" Atlas Pattern Post Hole Digger	6 ea

24 in Multi-Surface Push Broom



- Clear coated wood block
- 60" Wood handle
- 24" Broom head width
- Heavy duty steel brace
- 3" Bristles soft flagged-tip poly border bristles and coarse center bristles

Item #	Description	Std Pkg
161-BR24MU16	24" Push Broom F/ Muliti-Surface	4 ea

24 in Smooth-Surface Push Broom



- Clear coated wood block
- 60" Wood handle
- 24" Broom head width
- Heavy duty steel brace
- 3" Bristles flagged-tip bristles

Item #	Description	Std Pkg
161-BR24SM15	24" Push Broom F/ Smooth Surface	4 ea



No. 7 Pipe Thread Sealant



- Medium-dry
- Soft-set sealant
- Will not harden with age
- Impervious to freeze damage
- Lead free and contains no metals

Item #	Description	Std Pkg
187-17432	1 pt #7 Black Pipe Thread Sealant	12 ea

No. 100 Virgin Pipe Thread Sealant



- Contains virgin PTFE
- Breaks out easily without galling, seizing or damaging threads
- Non-setting industrial grade compound

Item #	Description	Std Pkg
187-22431	1 pt #100 Virgin PTFE Pipe Thread Sealant	12 ea

T Plus 2 Pipe Thread Sealant



- Multi-purpose
- Non-hardening thread sealant
- Contains PTFE plus synthetic fibers
- Breaks out easily without galling, seizing, or damaging threads

Item #	Description	Std Pkg
187-23431	1 pt T Plus 2 PTFE Pipe Thread Sealant	12 ea

No. 5 Pipe Thread Sealant - 1/2 pt



- Seals, lubricates, protects threaded pipe and fittings
- Can be pressurized immediately
- Slow drying compound
- Multi-purpose
- Soft-set

Item #	Description	Std Pkg
187-25551	1/2 pt #5 Pint Multi-Purpose Pipe Thread Sealant	12 ea

No. 5 Pipe Thread Sealant - 1 pt



- Seals, lubricates, protects threaded pipe and fittings
- Can be pressurized immediately
- Slow drying compound
- Multi-purpose
- Soft-set

Item #	Description	Std Pkg
187-25431	1 pt #5 Multi-Purpose Pipe Thread Sealant	12 ea

No. 5 Pipe Thread Sealant - 1 qt



- Seals, lubricates, protects threaded pipe and fittings
- Can be pressurized immediately
- Slow drying compound
- Multi-purpose
- Soft-set

Item #	Description	Std Pkg
187-25300	1 qt #5 Multi-Purpose Pipe Thread Sealant	12 ea

No. 5 Pipe Thread Sealant - 1 gal



- Seals, lubricates, protects threaded pipe and fittings
- Can be pressurized immediately
- Slow drying compound
- Multi-purpose
- Soft-set

Item #	Description	Std Pkg
187-25271	1 gal #5 Multi-Purpose Pipe Thread Sealant	4 ea

No. 5 Special Pipe Thread Sealant



- Low odor
- Non-toxic
- Soft set compound
- Breaks out easily without galling, seizing or damaging threads

Item #	Description	Std Pkg
187-26431	1 pt #5 Special Multi-Purpose Pipe Thread Sealant	12 ea

Tru-Blu Pipe Thread Sealant - 1 qt



- Vibration resistant
- Pipe thread sealant with PTFE
- Lead free and contains no metal
- Fast-dry, flexible set thread sealant

Item #	Description	Std Pkg
187-31300	1 qt Tru-Blu PTFE Pipe Thread Sealant	12 ea

Tru-Blu Pipe Thread Sealant - 1 pt



- Vibration resistant
- Pipe thread sealant with PTFE
- Lead free and contains no metal
- Fast-dry, flexible set thread sealant

Item #	Description	Std Pkg
187-31431	1 pt Tru-Blu PTFE Pipe Thread Sealant	12 ea

Break-Out Anti-Seize & Lubricant - 8 oz



- Contains no lead
- Will not run, drip or settle out
- Recommended for stainless steel up to 550°F
- Easy break-out without galling threads from -65° to 1800°F

Item #	Description	Std Pkg
187-73551	8 oz Break-Out Anti-Seize & Lubricant	12 ea

Break-Out Anti-Seize & Lubricant - 16 oz



- Contains no lead
- Will not run, drip or settle out
- Recommended for stainless steel up to 550°F
- Easy break-out without galling threads from -65° to 1800°F

Item #	Description	Std Pkg
187-73431	16 oz Break-Out Anti-Seize & Lubricant	12 ea



Nickel-Rich Anti-Seize & Lubricant - 8 oz



- Brushable down to 0°F
- Will not dry out or harden in storage
- For use on stainless steel up to 2600°F
- Prevents seizure for easy breakout up to 2600°F

Item #	Description	Std Pkg
187-73851	8 oz Nickel-Rich Anti-Seize & Lubricant	12 ea

Nickel-Rich Anti-Seize & Lubricant - 16 oz



- Brushable down to 0°F
- Will not dry out or harden in storage
- For use on stainless steel up to 2600°F
- Prevents seizure for easy breakout up to 2600°F

Item #	Description	Std Pkg
187-73831	16 oz Nickel-Rich Anti-Seize & Lubricant	12 ea

PR-1L Low VOC Primer



- Low VOC
- Color: Purple
- Hi-etch primer
- Use on both PVC and CPVC

Item #	Description	Std Pkg
187-55918	1 qt Jim-PR1L Purple Low-VOC Hi-Tech Primer PVC & CPVC	12 ea

Hot 203L Fast Dry Cement



- Low VOC
- Medium body cement
- Quick set PVC solvent cement
- Extremely fast drying solvent weld

Item #	Description	Std Pkg
187-55993	1 qt HOT-203L Blue PVC Fast Drying Cement	12 ea

Amber Multi-purpose Cement - 1/2 pt



- Mike 425L Multi-Purpose
- Medium Body
- ABS/PVC/CPVC
- ASTM Designation: D3138

Item #	Description	Std Pkg
187-55970	1/2 Pint Amber Multi-purpose Cement	1 ea

Evaporative Cooler Tablets



- 4 Tablet Tube
- Self-metering dosage tablets
- Added directly to reservoirs or drain pans
- Eliminates growths and odors in evaporative coolers

Item #	Description	Std Pkg
187-68114	1 Tube Refresh Evaporative Cooler Tabs	12 ea

Hi-Temp Anti-Seize Lube



- Brush Top
- Protects against rust and corrosion
- Rich in pure micro-sized copper flakes
- Protects against galling and heat-freeze

Item #	Description	Std Pkg
187-72841	16 oz Copper Rich Hi-Temp Anti Seize Lubricant	12 ea



Heat Resistant RTV Silicone Sealant



- Red color
- Heat resistant
- Remains permanently elastic
- High performance industrial sealer
- Ideal for OEM and maintenance use

Item #	Description	Std Pkg
061-0809/01	100% Silicone Heat Resistant Red Tube	12 ea

Silicone Sealant - 0820



- 100 % Silicone
- 50 year limited warranty
- Great for all sealing jobs

Item #	Description	Std Pkg
061-0820	3 oz Clear Silicone Tube	12 ea

Silicone Sealant - 0826



- 100 % Silicone
- 50 year limited warranty
- Great for all sealing jobs

Item #	Description	Std Pkg
061-0826/01	100% Clear Silicone Tube	12 ea



Triple Expanding Foam Sealant - 12 oz



- Seals, bonds and insulates
- Fills large or small holes
- Seals around duct cables, plumbing & electrical areas

Item #	Description	Std Pkg
061-0909	12 oz Triple Expanding Foam Spray	12 ea

Triple Expanding Foam Sealant - 20 oz



- Seals, bonds and insulates
- Fills large or small holes
- Seals around duct cables, plumbing & electrical areas

Item #	Description	Std Pkg
061-0912	20 oz Triple Expanding Foam Spray	12 ea



Adjustable Regulator



- medium capacity regulator
- precise regulating
- 1/4" FPT x 1/4" FPT
- designed for cylinder systems in liquid or vapor service
- Not for use with gas grills and other low pressure devices

Item #	Description	Std Pkg
054-567RC	1/4" Adjustable 0-60 PSI Regulator	1 ea
054-567RD	1/4" Adjustable 0-100 PSI Regulator	6 ea

Gas Hose



- Use with either vapor or liquid LP-gas
- Maximum working pressure 350 PSI
- Burst test of 1750 PSI, 1/4" I.D.
- One female end and one male end

Item #	Description	Std Pkg
054-HP10C	10' HP Series LP Gas Hose w/1/4" MPT & 1/4" FPT	10 ea

POL Fitting



- 1/4" MPT
- Threads into nearly all propane/butane cylinders
- Not for use with low pressure devices

Item #	Description	Std Pkg
054-P-1685	Standard P.O.L. Connection	10 ea
054-P-3200W	P.O.L. Fitting Excess Flow U.L. Listed	10 ea

Adjusting Needle Valve



- 1/4" MPT x 1/4" FPT
- Thumb wheel adjustment
- Tested in excess of 350 lbs

Item #	Description	Std Pkg
054-V-3055	Adjusting Needle Valve	10 ea
054-V-334	Flame Adjusting Needle Valve	10 ea

Economy Propane Torch Kit



- Normal Operating Pressure 30 P.S.I.
- Operating pressure range 5-90 P.S.I.
- Approximate Flame Temperature 2050°F

Item #	Description	Std Pkg
054-VT2-1/2-24CE	Economy Propane Torch Kit 500,000 BTU	1 ea

Premium Propane Torch Kit



- Normal Operating Pressure 30 P.S.I.
- Operating pressure range 5-90 P.S.I.
- Approximate Flame Temperature 2050°F

Item #	Description	Std Pkg
054-VT3-30C	Premium Propane Torch Kit 500,000 BTU	1 ea



Multiple-Ball Mount



- Black finish
- Rust resistant
- Corrosion resistant
- 1-7/8", 2" and 2-5/16" Balls

Item #	Description	Std Pkg
264-21512	2" / 2-5/16" & 1-7/8" Multiple-Ball Mount	1 ea

Barrel Receiver Lock



- Sleeved barrel style
- Fits 0.5" receiver pin holes
- Push button lock mechanism
- Provides safety for trailer hitch receivers

Item #	Description	Std Pkg
264-7005600	Tow Power Sleeved Barrel Receiver Lock	1 ea

Hitch Pin & Clip



- Pin is 5/8" in diameter
- Includes spring cotter pin
- Fits hitches with 2" hitch box

Item #	Description	Std Pkg
264-7009200	Tow Power 5/8" Hitch Pin & Clip	1 ea

REESE

Universal Coupler Lock



- Cast metal body
- Locking bar inside width is 3-7/8"
- Works on pole tongue or A-frame style couplers

Item #	Description	Std Pkg
264-72783	Universal Coupler Fits 1-7/8", 2" & 2-5/16" Ball	1 ea

Reducer Sleeve



- 5/8 In. hitch pin opening
- Black powder coated finish
- Reduces receiver opening 2.5" to 2"

Item #	Description	Std Pkg
264-7028700	2-1/2 - 2 Sleeve Adapter HD Receiver Reducer	1 ea

RELTON

Rapid Tap Cutting Fluid



- Greatly extends tool life
- Super-fine machined finish
- Anti-mist protection for a healthier work environment

Item #	Description	Std Pkg
233-618-RAPTAP	1pt Rapid Tap Cutting Fluid (PNT-NRT)	12 ea

RIDGID

Straight Pipe Wrench



- Sturdy, cast-iron housing and
- I-beam handle with full floating forged hook jaw
- Self cleaning threads with replaceable hook and heel jaws

Item #	Description	Std Pkg
032-31000	6" Heavy-Duty Straight Pipe Wrench	6 ea
032-31005	8" Heavy-Duty Straight Pipe Wrench	6 ea
032-31010	10" Heavy-Duty Straight Pipe Wrench	6 ea
032-31015	12" Heavy-Duty Straight Pipe Wrench	6 ea
032-31020	14" Heavy-Duty Straight Pipe Wrench	6 ea
032-31025	18" Heavy-Duty Straight Pipe Wrench	6 ea
032-31030	24" Heavy-Duty Straight Pipe Wrench	6 ea
032-31035	36" Heavy-Duty Straight Pipe Wrench	1 ea
032-31040	48" Heavy-Duty Straight Pipe Wrench	1 ea
032-31045	60" Heavy-Duty Straight Pipe Wrench	1 ea

Aluminum Straight Pipe Wrench



- Professional strength in lightweight aluminum
- Same durability and ease-of-use found in all RIDGID heavy-duty wrenches

Item #	Description	Std Pkg
032-31090	10" Aluminum Straight Pipe Wrench	6 ea
032-31095	14" Aluminum Straight Pipe Wrench	6 ea
032-31100	18" Aluminum Straight Pipe Wrench	3 ea
032-31105	24" Aluminum Straight Pipe Wrench	1 ea
032-31110	36" Aluminum Straight Pipe Wrench	1 ea
032-31115	48" Aluminum Straight Pipe Wrench	6 ea
032-47057	12" Aluminum Straight Pipe Wrench	6 ea

RapidGrip Wrench



- Quick one-handed operation makes your jobs move faster
- The spring-loaded jaw design provides rapid ratcheting action
- Unique combination heel/hook jaw design

Item #	Description	Std Pkg
032-10358	14" RapidGrip Wrench	6 ea

Aluminum RapidGrip Wrench



- 35% lighter than heavy-duty models
- Quick one-handed operation
- The spring-loaded jaw design
- Unique combination heel/hook jaw design

Item #	Description	Std Pkg
032-12698	18" Aluminum RapidGrip Wrench	6 ea

End Pipe Wrench



- An ideal wrench for pipe work close to a wall, in tight quarters or in closely spaced parallel lines

Item #	Description	Std Pkg
032-31050	6" End Pipe Wrench	6 ea
032-31055	8" End Pipe Wrench	6 ea
032-31060	10" End Pipe Wrench	6 ea
032-31065	12" End Pipe Wrench	6 ea
032-31070	14" End Pipe Wrench	6 ea
032-31080	24" End Pipe Wrench	6 ea



Aluminum End Wrench



- Ideal for jobs in tight spaces and over head applications
- Designed for easy access in close parallel lines
- 40% lighter than heavy duty wrenches

Item #	Description	Std Pkg
032-90117	14" Aluminum End Pipe Wrench	6 ea
032-90122	18" Aluminum End Pipe Wrench	6 ea

Offset Wrench



- Jaw opening parallel to the handle
- Narrower hook jaw head
- Provides easy entry into tight spots
- Ideal for overhead applications

Item #	Description	Std Pkg
032-89435	14" Heavy-Duty Offset Wrench	6 ea
032-89440	18" Heavy-Duty Offset Wrench	6 ea
032-89445	24" Heavy-Duty Offset Wrench	6 ea

Aluminum Offset Wrench



- Jaw opening parallel to the handle
- Narrower hook jaw head
- Provides easy entry into tight spots
- Ideal for overhead applications

Item #	Description	Std Pkg
032-31120	14" Aluminum Offset Wrench	6 ea
032-31125	18" Aluminum Offset Wrench	6 ea
032-31130	24" Aluminum Offset Wrench	6 ea

Chain Wrench



- Double jaw gives fast, ratchet- like action in either direction
- Heavy-duty has replaceable alloy steel jaws
- Light-duty has a one-piece forged alloy steel handle and jaw
- Ideal for use in close quarters

Item #	Description	Std Pkg
032-31310	2" Light-Duty Chain Wrench	1 ea
032-31315	2" Heavy-Duty Chain Wrench	1 ea
032-31320	2-1/2" Heavy-Duty Chain Wrench	1 ea
032-31325	3" Heavy-Duty Chain Wrench	1 ea
032-31330	4-1/2" Heavy-Duty Chain Wrench	1 ea

Wrench Replacement Parts



Wrench Size		Pipe Cap.	Handle Assembly			
Str.	End		Straight Iron	Straight Alum.	End Iron	End Alum.
			Catalog No.	Catalog No.	Catalog No.	Catalog No.
6	E-6	1/4	31420	-	31470	-
8	E-8	1	31425	-	31475	-
10	E-10	1 1/2	31430	31510	31480	93907
12	E-12	2	31435	49972	31485	-
14	E-14	2	31440	31515	31490	93912
18	E-18	2 1/2	31445	31520	31495	93917
24	E-24	3	31450	31525	31500	93922
36	E-36	5	31455	31530	31505	-
48	-	6	31460	31535	-	-
60	-	8	31465	-	-	-
10 Raprench	-	1 1/2	32775	-	-	-

Wrench Size		Nut	Pin	Heel Jaw & Pin Assembly	Coll & Flat Spring Assembly	Hook Jaw
Str.	End	Catalog No.	Catalog No.	Catalog No.	Catalog No.	Catalog No.
6	E-6	31570	31575	31560	31565	31555
8	E-8	31595	31600	31585	31590	31580
10	E-10	31615	31625**	31610	31620	31605
12	E-12	31645	31650	31635	31640	31630
14	E-14	31665	31650**	31635	31660	31655
18	E-18	31685	31690	31675	31680	31670
24	E-24	31710	31715	31700	31705	31695
36	E-36	31735	31740	31725	31730	31720
48	-	31760	31765	31750	31755	31745
60	-	31785	31790	31775*	31780	31770
10 Raprench	-	31615	31625	31610	31620	31605

Hex Wrench



- Hex jaw design gives multi-sided, secure grip
- Extra-wide opening offset model
- Ideal for securing drain nuts on sinks and tubs
- Thin, smooth jaws slip into the tightest places

Item #	Description	Std Pkg
032-31275	14 1/2" Straight Hex Wrench	6 ea
032-31280	20" Straight Hex Wrench	6 ea
032-31305	9 1/2" Offset Hex Wrench	6 ea

RIDGID

Chain Tong



- Designed and sized to provide extra leverage
- Double-end jaw styles which can be reversed

Item #	Description	Std Pkg
032-92660	87" Single-End Chain Tong	1 ea
032-92665	27" Double-End Chain Tong	1 ea
032-92670	37" Double-End Chain Tong	1 ea
032-92675	44" Double-End Chain Tong	1 ea
032-92680	50" Double-End Chain Tong	1 ea
032-92685	64" Double-End Chain Tong	1 ea

Strap Wrench



- Best for any polished pipe
- Strong, woven nylon strap gives tight grip
- Two models available for plastic pipe
- Polyurethane-coated strap

Item #	Description	Std Pkg
032-31335	11-3/4" Strap Wrench	1 ea
032-31340	11-3/4" Strap Wrench	1 ea
032-31345	11-3/4" Strap Wrench	1 ea
032-31350	11-3/4" Strap Wrench	1 ea
032-31355	11-3/4" Strap Wrench	1 ea
032-31360	18" Strap Wrench	1 ea
032-31365	18" Strap Wrench	1 ea
032-31370	18" Strap Wrench	1 ea

Adjustable Wrench



- High grade chrome-vanadium alloy steel
- Forged and heat-treated for durability
- Cobalt-plated finish to reduce rust and corrosion
- Jaw scales in SAE and metric for quick adjustment

Item #	Description	Std Pkg
032-86902	6" Adjustable Wrench	5 ea
032-86907	8" Adjustable Wrench	5 ea
032-86912	10" Adjustable Wrench	4 ea
032-86917	12" Adjustable Wrench	4 ea
032-86922	15" Adjustable Wrench	4 ea
032-86927	18" Adjustable Wrench	4 ea
032-86932	24" Adjustable Wrench	4 ea

Portable TRISTAND Yoke Vise



- Model 40-A
- Integral legs and tray fold in
- Slots for hanging tools, pipe rest, three-pipe benders and ceiling brace screw
- Large vise base overhangs front legs for clear tool swing

Item #	Description	Std Pkg
032-40130	Portable TRISTAND Yoke Vise	1 ea

425 Portable TRISTAND Vise



- Model 425
- Integral legs and tray fold in
- Lightweight design at only 30lbs
- Features "quick grab" self-locking latch and carrying handle
- Slots for hanging tools, pipe rest, three-pipe benders and ceiling brace screw

Item #	Description	Std Pkg
032-16703	Portable TRISTAND Chain Vise	1 ea

460-6 Portable TRISTAND Vise



- Rugged leg chain and a durable tool tray
- Features "quick grab", self-locking latch and carrying handle
- Integral folding legs for easy transport and setup

Item #	Description	Std Pkg
032-36273	Portable TRISTAND Chain Vise	1 ea

460-12 Portable TRISTAND Vise



- Rugged leg chain
- Easy to transport and easy to setup
- Convenient lug to clamp the weld ground
- Optimized base layout maximizes working area

Item #	Description	Std Pkg
032-36278	Portable TRISTAND Chain Vise	1 ea

Bench Yoke Vises



- Hardened alloy steel jaws
- Convenient pipe rest and bender included
- Yoke and base made of strong, dependable iron

Item #	Description	Std Pkg
032-40080	Bench Yoke Vise	1 ea
032-40090	Bench Yoke Vise	1 ea
032-40100	Bench Yoke Vise	1 ea
032-40110	Bench Yoke Vise	1 ea

RIDGID

Bench Chain Vises



- Capacities of 1/8" through 8"
- Crank handle is anchored to base
- Rugged cast-iron base has handy pipe rest and bender
- Toothless jaws are neoprene-coated to prevent scoring of pipe

Item #	Description	Std Pkg
032-40175	BC2A Bottom Screw Bench Chain Vise	1 ea
032-40180	BC4A Bottom Screw Bench Chain Vise	1 ea
032-40185	BC210 Top Screw Bench Chain Vise	1 ea
032-40190	BC210P Top Screw Bench Chain Vise	1 ea
032-40195	BC410 Top Screw Bench Chain Vise	1 ea
032-40200	BC410P Top Screw Bench Chain Vise	1 ea
032-40205	BC510 Top Screw Bench Chain Vise	1 ea
032-40210	BC610 Top Screw Bench Chain Vise	1 ea
032-40215	BC810 Top Screw Bench Chain Vise	1 ea

V Head Pipe Stands



- 12" Pipe Capacity
- 2500 Pound Max Weight
- Retains the V-head to the tube for quick adjustments
- Locking ring allows for quick vertical height adjustments

Item #	Description	Std Pkg
032-56657	V Head Low Pipe Stand	1 ea
032-56662	V Head High Pipe Stand	1 ea

V Head Folding Pipe Stands



- Max pipe capacity 12"
- Folding legs require 70% less storage area
- Retains the V-head to the tube for quick adjustments
- Locking ring allows for quick vertical heights adjustments

Item #	Description	Std Pkg
032-22168	V Head High Folding Pipe Stand	1 ea

Roller Head Pipe Stands



- Rollers center pipe and allow rotation
- Locking ring allows for quick vertical height adjustments
- For use with threading machines, roll grooving, or other pipe working applications

Item #	Description	Std Pkg
032-56667	Roller Head Low Pipe Stand	1 ea
032-56672	Roller Head High Pipe Stand	1 ea

Conveyor Head Pipe Stands



- Locking ring allows for quick vertical height adjustments
- Conveyor head allows the pipe to move back and forth for moving material
- For use with threading machines, roll grooving, or other pipe working applications

Item #	Description	Std Pkg
032-56682	Conveyor High Stand	1 ea

Ball Transfer Head



- Ball head allows pipe to slide and rotate easily
- Fits easily onto V Head Pipe Stands

Item #	Description	Std Pkg
032-37997	Ball Transfer Head for VJ Stand	1 ea

46 Adjustable Pipe Supports



- Model 46
- Adjustable height: 23"- 33"
- Maximum pipe capacity: 6"
- For use with threading machines, roll grooving or other pipe working applications

Item #	Description	Std Pkg
032-42505	Adjustable Pipe Support	1 ea

965 Support Stand for Groovers



- Model 965
- 26-Inch-42-Inch Height adjustment
- Maximum pipe capacity: 12-Inch
- For use with threading machines, roll grooving or other pipe working applications

Item #	Description	Std Pkg
032-83380	Support Stand for Groovers	1 ea

Large Diameter Pipe Stand



- Height adjustable
- Heavy duty rollers allow the pipe to turn freely
- Holds 6"-24" diameter pipe and up to 4,500 lbs

Item #	Description	Std Pkg
032-96372	Large Diameter Pipe Stand	1 ea

Heavy-Duty Pipe Cutters - 2A



- Fast, clean pipe cutting
- Can be converted to 3-wheel cutter
- Extra-long shank protects adjustment threads
- Extra-large handle is provided for quick, easy adjustment

Item #	Description	Std Pkg
032-32820	Model 2A Heavy-Duty Pipe Cutter	1 ea
032-32825	Model 2A 3-Wheel Heavy-Duty Pipe Cutter	1 ea

RIDGID

Heavy-Duty Pipe Cutters - 3-S & 4-S



- Fast, clean pipe cutting
- Can be converted to 3-wheel cutter
- Second handle for two man leverage
- Extra-long shank protects adjustment threads
- Extra-large handle is provided for quick, easy adjustment

Item #	Description	Std Pkg
032-32830	Model 3-S Heavy-Duty Pipe Cutter	1 ea
032-32840	Model 4-S Heavy-Duty Pipe Cutter	1 ea
032-32845	Model 4-S 3-Wheel Heavy-Duty Pipe Cutter	1 ea

Heavy-Duty Pipe Cutters - 6-S



- Fast, clean pipe cutting
- Can be converted to 3-wheel cutter
- Extra-long shank protects adjustment threads
- Extra-large handle is provided for quick, easy adjustment
- Second handle on 3-S, 4-S and 6-S models for two man leverage

Item #	Description	Std Pkg
032-32850	Model 6-S Heavy-Duty Pipe Cutter	1 ea

4-Wheel Pipe Cutters - 42-A



- Equipped with four heavy-duty wheels
- Short handle for use in confined areas
- For work in areas where a complete turn is impossible

Item #	Description	Std Pkg
032-32870	Model 42-A Heavy-Duty 4-Wheel	1 ea

4-Wheel Pipe Cutters - 44-S



- Second handle for two-man leverage
- Equipped with four heavy-duty wheels
- For work in areas where a complete turn is impossible

Item #	Description	Std Pkg
032-32880	Model 44-S Heavy-Duty 4-Wheel	1 ea

Wide-Roll Pipe Cutter



- Extra-wide rolls especially designed for use with power drives
- Wide rolls provide for true tracking and cleaner cuts

Item #	Description	Std Pkg
032-32895	Model 202 Heavy-Duty Wide Rolls	1 ea

Hinged Pipe Cutters



- Designed for rapid cutting of 2" to 12" steel pipe, heavy-wall steel pipe, cast-iron pipe
- Minimal cutter rotation as necessary for tight quarters
- Second handle included for 466, 472, 468 for two-man leverage

Item #	Description	Std Pkg
032-73162	Model 424-S for Steel Pipe	1 ea
032-74685	Model 466-CI for Cast-Iron Pipe	1 ea
032-83080	Model 466-S for Steel Pipe	1 ea
032-83085	Model 466-HWS for Heavy-Wall Steel Pipe	1 ea
032-83145	Model 468-S for Steel Pipe	1 ea
032-83150	Model 468-HWS for Heavy-Wall Steel Pipe	1 ea
032-83165	Model 472-S for Steel Pipe	1 ea
032-83170	Model 472-HWS for Heavy-Wall Steel Pipe	1 ea

Model 2-S Spiral Reamer



- Self-feeding spiral design for extra fast and easy hand reaming
- This product is used for pipe-fittings
- RIDGID Full Lifetime Warranty.
- Not suitable for power reaming

Item #	Description	Std Pkg
032-34955	Model 2-S Spiral Reamer	1 ea

Model 254 Spiral Reamer



- Hollow center reduces weight
- Large pressure plate
- Hardened alloy steel cone removable for sharpening
- Not suitable for power reaming

Item #	Description	Std Pkg
032-34960	Model 254 Spiral Reamer	1 ea

Straight Reamer



- Long taper design will not dig in
- RIDGID Full Lifetime Warranty
- Suitable for use with power drives

Item #	Description	Std Pkg
032-34945	Model 2 Straight Reamer	1 ea
032-34950	Model 3 Straight Reamer	1 ea

Plastic Pipe Deburring Tool



- Slip-resistant vinyl hand grip
- Deburring tool for plastic pipe and tubing
- High-grade steel with long-lasting cutting edges

Item #	Description	Std Pkg
032-35155	Plastic Pipe Deburring Tool 1/2 To 2"	1 ea

Manual Ratchet Threader Die and Pipe Heads

Die Heads

Models 00-R, 12-R, 11-R & 00-RB



Selection: North American Standards

	Catalog No.									
	Nominal Pipe Size (in.)									
	1/8	1/4	3/8	1/2	3/4	1	1 1/4	1 1/2	2	
Model No. 00-R										
(NPT)										
Alloy RH	36875	36880	36885	36890	36895	36900	-	-	-	
High-Speed RH	36935	36940	36945	36950	36955	36960	-	-	-	
High-Speed for Stainless Steel RH	36965	36970	36975	36980	36985	36990	-	-	-	
(NPSM)										
Alloy RH	36995	37000	37005	37010	37015	37020	-	-	-	
API High-Speed	-	-	83435	68775	68780	-	-	-	-	
Model No. 12-R										
(NPT)										
Alloy RH	37375	37380	37385	37390	37395	37400	37405	37410	37415	
High-Speed LH	-	-	-	37435	37440	37445	37450	37455	37460	
High-Speed RH	37465	37470	37475	37480	37485	37490	37495	37500	37505	
High-Speed for Stainless Steel RH	37510	37515	37520	37525	37530	37535	37540	37545	37550	
High-Speed for PVC RH	-	83450	83455	83460	83465	83470	83475	83480	83485	
High-Speed for Plastic Coated Pipe	-	-	-	51857	51862	51867	51872	51877	51882	
Alloy for IMC RH	-	-	-	92690	92695	92700	92705	92710	92715	
(NPSM)										
Alloy RH	37555	37560	37565	37570	37575	37580	37585	37590	37595	
Model No. 11-R										
(NPT)										
Alloy RH	37025	37030	37035	37040	37045	37050	37055	20923	20943	
High-Speed RH	37095	37100	37105	37110	37115	37120	37125	20928	20948	
High-Speed for Stainless Steel RH	37130	37135	37140	37145	37150	37155	37160	20933	20953	
(NPSM)										
Alloy RH	37165	37170	37175	37180	37185	37190	37195	20938	20958	
Model No. 00-RB										
	1/4	1/2	3/4	1	1 1/2	2	2 1/2	3	4	5
	20 TPI	18 TPI	16 TPI	14 TPI	13 TPI	12 TPI	11 TPI	10 TPI	9 TPI	8 TPI
(UNC)										
Alloy RH	37610	37615	37620	37625	37630	37635	37640	37645	37650	37655
Alloy LH	-	-	-	37675	-	-	-	37695	-	-
(UNF)										
Alloy RH	37710	37715	37720	37725	37730	37735	37740	37745	-	37755
Alloy LH	-	-	-	37775	37780	37785	37790	37795	37800	37805

Pipe Dies

Selection: Models 00-R, 11-R, 12-R, 0-R, Ratchet Threaders or 30A, 31A 3-Way Pipe Threaders



Die Material or Type	Catalog No.								
	Nominal Pipe Size - Threads Per Inch								
	1/2-27	1/2-18	3/4-18	1/2-14	3/4-14	1-11 1/2	1 1/4-11 1/2	1 1/2-11 1/2	2-11 1/2
(NPT) National Pipe Taper									
Alloy RH	37810	37815	37820	37825	37830	37835	37840	37845	37850
High-Speed RH	37855	37860	37865	37870	37875	37880	37885	37890	37895
High-Speed LH	-	38050	38055	38060	38065	38070	38075	38080	38085
H.S. For Stainless Steel RH	37900	37905	37910	37915	37920	37925	37930	37935	37940
H.S. For PVC RH	-	-	70685	70690	70695	70700	70705	70710	70715
HS Reversible RH*	-	-	-	49707	49712	49717	49722	49727	-

RIDGID

Pipe Extractors



- Make easy work of removing broken threaded ends of pipe, pipe plugs and fittings
- Available for schedule 40 and 80 pipe
- Each is plainly marked showing drill size used

Item #	Description	Std Pkg
032-35600	Model 81 Pipe Extractor	1 ea
032-35605	Model 82 Pipe Extractor	1 ea
032-35610	Model 83 Pipe Extractor	1 ea
032-35615	Model 84 Pipe Extractor	1 ea
032-35620	Model 85 Pipe Extractor	1 ea
032-35625	Model 86 Pipe Extractor	1 ea
032-35630	Model 87 Pipe Extractor	1 ea
032-35635	Model 89 Pipe Extractor	1 ea
032-35640	Model 83 E Pipe Extractor	1 ea
032-35645	Model 84 E Pipe Extractor	1 ea
032-35650	Model 85 E Pipe Extractor	1 ea
032-35655	Model 86 E Pipe Extractor	1 ea
032-35660	Model 87 E Pipe Extractor	1 ea
032-35665	Model 89 E Pipe Extractor	1 ea
032-35680	Model 882 (Includes: No. 81-85)	1 ea
032-35685	Model 883 (Includes: No. 80-85)	1 ea

Pipe Taps



- Carbon steel, right hand configuration only
- Especially suited for restricted area work
- All taps have taper of 3/4" per foot
- Marked with drill size for pilot hole

Item #	Description	Std Pkg
032-35815	Model E-5112 1/8" Pipe Tap-NPT	1 ea
032-35820	Model E-5113 1/4" Pipe Tap-NPT	1 ea
032-35825	Model E-5114 3/8" Pipe Tap-NPT	1 ea
032-35830	Model E-5115 1/2" Pipe Tap-NPT	1 ea
032-35835	Model E-5116 3/4" Pipe Tap-NPT	1 ea
032-35840	Model E-5117 1" Pipe Tap-NPT	1 ea
032-35845	Model E-5118 1-1/4" Pipe Tap-NPT	1 ea
032-35850	Model E-5119 1-1/2" Pipe Tap-NPT	1 ea
032-35855	Model E-5120 2" Pipe Tap-NPT	1 ea

Close Quarters Tubing Cutters - 101



- E-3469 STD Wheel
- Capacity: 1/4" – 1-1/8"
- Large knurled feed screw knob
- Strong, lightweight slide and wheel housing
- Rollers include grooves for close-to-flare cuts

Item #	Description	Std Pkg
032-40617	Model 101 Close Quarters Cutter	6 ea

Close Quarters Tubing Cutters - 103



- E-3469 STD Wheel
- Capacity: 1/8" – 5/8"
- Large knurled feed screw knob
- Strong, lightweight slide and wheel housing

Item #	Description	Std Pkg
032-32975	Model 103 Close Quarters Cutter	6 ea

Close Quarters Tubing Cutters - 104



- E-3469 STD Wheel
- Capacity: 3/16" – 15/16"
- Large knurled feed screw knob
- Strong, lightweight slide and wheel housing

Item #	Description	Std Pkg
032-32985	Model 104 Close Quarters Cutter	6 ea

Close Quarters Tubing Cutters - 117



- E-3469 STD Wheel
- Capacity: 3/16" – 15/16"
- Self-feeding AUTOFEED® cutter wheel that automatically cuts after tightening the knob only once

Item #	Description	Std Pkg
032-97787	Model 117 Close Quarters AUTOFEED Cutter	12 ea

Close Quarters AUTOFEED Cutter



- Strong, lightweight slide and wheel housing
- Rollers include grooves for close-to-flare cuts
- Self-feeding AUTOFEED® cutter wheel that automatically cuts after tightening the knob only once

Item #	Description	Std Pkg
032-86127	Model 118 Close Quarters AUTOFEED Cutter Only	6 ea

Constant Swing Tubing Cutters



- Spare cutter wheel included in the knob
- Grooved rollers for close-to flare cuts and a fold-away reamer
- Features an enclosed feed screw to eliminate clogging and jamming

Item #	Description	Std Pkg
032-31622	Model 150 Constant Swing Cutter	6 ea
032-31627	Model 150 Constant Swing Cutter w/HD Wheel	6 ea
032-66737	Model 150-L Swing Cutter - Extended Length	6 ea

Enclosed Feed Tubing Cutters



- Fold-away reamer
- Grooved rollers for close-to-flare cuts
- Spare cutter wheel included in the knob
- Enclosed feed screw to eliminate clogging and jamming

Item #	Description	Std Pkg
032-33055	Model 205 Ratcheting Encl. Feed Cutter	1 ea

RIDGID

Quick-Acting Tubing Cutters - 151



- Models 151 and 152 feature fold-away reamers
- Model 151-ML is suitable for cutting multilayer tubing
- Models 151-156 feature a quick-acting design, I-beam construction, hardened wear surfaces and thrust bearing slide

Item #	Description	Std Pkg
032-31632	Model 151 Quick-Acting Cutter	6 ea

Quick-Acting Tubing Cutters - 151-P



- Models 151 and 152 feature fold-away reamers
- Model 151-ML is suitable for cutting multilayer tubing
- Models 151-156 feature a quick-acting design, I-beam construction, hardened wear surfaces and thrust bearing slide

Item #	Description	Std Pkg
032-31637	Model 151-P Quick Cutter w/Wheel for Plastic	6 ea

Quick-Acting Tubing Cutters - 152



- Models 151 and 152 feature fold-away reamers
- Model 151-ML is suitable for cutting multilayer tubing
- Models 151-156 feature a quick-acting design, I-beam construction, hardened wear surfaces and thrust bearing slide

Item #	Description	Std Pkg
032-31642	Model 152 Quick-Acting Cutter	1 ea

Quick-Acting Tubing Cutters - 152-P



- Models 151 and 152 feature fold-away reamers
- Model 151-ML is suitable for cutting multilayer tubing
- Models 151-156 feature a quick-acting design, I-beam construction, hardened wear surfaces and thrust bearing slide

Item #	Description	Std Pkg
032-31647	Model 152-P Quick Cutter w/Wheel for Plastic	1 ea

Screw Feed Tubing Cutters - 10



- Models 10, 15 and 20 feature a convenient fold-away reamer
- Clean, square cuts are easily made on copper, brass, aluminum and thin-wall steel

Item #	Description	Std Pkg
032-32910	Model 10 Tubing and Conduit Cutter	6 ea
032-32915	Model 10 Tubing and Conduit Cutter w/HD Wheel	6 ea

Screw Feed Tubing Cutters - 15



- Models 10, 15 and 20 feature a convenient fold-away reamer
- Clean, square cuts are easily made on copper, brass, aluminum and thin-wall steel

Item #	Description	Std Pkg
032-32920	Model 15 Tubing and Conduit Cutter	6 ea
032-32925	Model 15 Tubing and Conduit Cutter w/HD Wheel	6 ea

Screw Feed Tubing Cutters - 20



- Models 10, 15 and 20 feature a convenient fold-away reamer
- Clean, square cuts are easily made on copper, brass, aluminum and thin-wall steel

Item #	Description	Std Pkg
032-32930	Model 20 Tubing and Conduit Cutter	1 ea
032-32935	Model 20 Tubing and Conduit Cutter w/HD Wheel	1 ea

Screw Feed Tubing Cutters - 30



- Models 10, 15 and 20 feature a convenient fold-away reamer
- Clean, square cuts are easily made on copper, brass, aluminum and thin-wall steel

Item #	Description	Std Pkg
032-32940	Model 30 Tubing and Conduit Cutter	1 ea

Stainless Steel Tubing Cutters - 15-SI



- Ergonomic knob
- Contoured frame
- Six individual bearings in the 15-SI
- X-CEL® Knob for quicker cutting

Item #	Description	Std Pkg
032-97212	Stainless Steel Tubing & Conduit Cutter	1 ea

Stainless Steel Tubing Cutters - 35S



- Ergonomic knob
- Contoured frame
- Stainless steel cutter wheel
- Six individual bearings in the 35S
- X-CEL® Knob for quicker cutting

Item #	Description	Std Pkg
032-29963	Model 35S Stainless Steel Tubing Cutter	1 ea



Stainless Steel Tubing Cutters - 65S



- Ergonomic knob
- Contoured frame
- Stainless steel cutter wheel
- 12 individual bearings in the 35S
- X-CEL® Knob for quicker cutting

Item #	Description	Std Pkg
032-31803	Stainless Steel Quick-Acting Tubing Cutter	1 ea

Plastic Pipe Cutters - RC-1625



- X-CEL® quick-change blade
- Quick pipe measuring scale on the ergonomic grips
- “Burr-less” cutting operation provides a square cut
- Intended materials: Plastic (PVC, CPVC, PP, PEX, PE, Rubber hose) & Multilayer tubing

Item #	Description	Std Pkg
032-23498	Ratchet Action Plastic Pipe & Tubing Cutter	6 ea

Plastic Pipe Cutters - RC-2375



- X-CEL® quick-change blade
- Quick pipe measuring scale on the ergonomic grips
- “Burr-less” cutting operation provides a square cut
- Intended materials: Plastic (PVC, CPVC, PP, PEX, PE, Rubber hose) & Multilayer tubing

Item #	Description	Std Pkg
032-30088	Ratchet Action Plastic Pipe & Tubing Cutter	1 ea

Model 456 Tri-Bender



- Designed to easily bend three different sizes of soft copper tubing
- Ideal for plumbing and HVAC applications
- A 90° start angle minimizes effort required to form a bend

Item #	Description	Std Pkg
032-44852	Model 456 Tri-Bender	1 ea

600 Series HD Instrument Benders



- High quality bending performance on stainless steel, and other hard tubing such as steel and titanium
- Two stage design allows for in-place bending from 90° to 180°
- Extra long 16” handles increase leverage

Item #	Description	Std Pkg
032-38033	Model 604 1/4” Tube Bender	1 ea
032-38038	Model 605/608M 5/16” Tube Bender	1 ea
032-38043	Model 606 3/8” Tube Bender	1 ea
032-38048	Model 608 1/2” Tube Bender	1 ea

400 Series Instrument Benders



- Designed for bending annealed copper, steel and stainless
- Offset cushion grip handles for comfort

Item #	Description	Std Pkg
032-36092	Model 405/408M 5/16” Instrument Benders	1 ea
032-36097	Model 406 3/8” Instrument Benders	1 ea
032-36117	Model 403 3/16” Instrument Benders	1 ea
032-36122	Model 404 1/4” Instrument Benders	1 ea
032-36132	Model 408 1/2” Instrument Benders	1 ea

Exposed Ratchet Threader Sets - 00-R



- **Threader Sets Includes:** Die Heads, Ratchet Assembly, Ratchet Handle and Alloy Dies
- **Model 00-R:** Capacity 1/8” - 1” without carrying case

Item #	Description	Std Pkg
032-36355	Model 00-R (3/8” - 1”) Threader Sets	1 ea
032-36375	Model 00-R (1/8” - 1”) Threader Sets	1 ea

Exposed Ratchet Threader Sets - 12-R



- **Threader Sets Includes:** Die Heads, Ratchet Assembly, Ratchet Handle and Alloy Dies
- **Model 12-R:** Capacity 1/8” - 2” with carrying case

Item #	Description	Std Pkg
032-36475	Model 12-R (1/2” - 2”) Threader Sets	1 ea
032-36480	Model 12-R (1/2” - 1-1/4”) Threader Sets	1 ea
032-36505	Model 12-R (1/8” - 2”) Threader Sets	1 ea
032-55207	Model 12-R (1/2” - 2”) Threader Sets	1 ea

Ratchet & Handle Only



- Ratchet knob indicates forward and reverse
- Die heads snap in from both sides and lock in place

Item #	Description	Std Pkg
032-30118	12-R Ratchet & Handle Only	1 ea
032-37777	11-R Ratchet & Handle Only	1 ea
032-38535	0-R Ratchet & Handle Only	1 ea
032-38540	00-R & 00-RB Ratchet & Handle Only	1 ea
032-38550	111-R Ratchet & Handle Only	1 ea



No. 65R-TC Manual Receding Threader



- Threads 1"-2" pipe
- True centering workholder
- Jam-proof
- Right-hand only

Item #	Description	Std Pkg
032-36570	NPT w/1 Set High-Speed Dies	1 ea

No. 65R-C Manual Receding Threader



- Threads 1"-2" pipe
- Jam-proof drive pawl
- Cam workholder sets instantly
- Right-hand only

Item #	Description	Std Pkg
032-36565	NPT w/1 Set High-Speed Dies	1 ea

Receding Threader Pipe Dies - 38100



- Pipe Capacity: 1 to 2 inches
- TPI: 11-1/2 NPT
- Right-handed, jam-proof drive pawl

Item #	Description	Std Pkg
032-38100	High-Speed RH Pipe Die	1 ea

Receding Threader Pipe Dies - 38105



- Pipe Capacity: 1 to 2 inches
- TPI: 11-1/2 NPT
- Right-handed, jam-proof drive pawl
- Specific for stainless steel

Item #	Description	Std Pkg
032-38105	H.S. for Stainless Steel RH Pipe Die	1 ea

Receding Geared Threader - 141



- Jaw clutch prevents jamming
- Simple adjustment for tapered or straight threads
- Cam-type workholder sets instantly
- Fully enclosed gearing
- Right-hand only

Item #	Description	Std Pkg
032-36620	141 (2-1/2" - 4") Receding Geared Threader	1 ea

Receding Geared Threader - 161



- Fully enclosed gearing
- Jaw clutch prevents jamming
- Cam-type workholder sets instantly
- Simple adjustment for tapered or straight threads

Item #	Description	Std Pkg
032-36630	161 (4" - 6") Receding Geared Threader	1 ea

Ratchet & Handle - D-1440



- Dies snap in and lock in place from both sides
- Ratchet knob indicates forward and reverse
- For 141/161 geared threaders

Item #	Description	Std Pkg
032-39380	D-1440 Ratchet & Handle	1 ea

Model 141 Geared Pipe Threader Dies



- 2 1/2" Thru 4"-8 TPI
- High-speed, right-handed
- Used with Model 141 geared pipe threaders
- Backed by Ridgid warranty

Item #	Description	Std Pkg
032-38120	2.5"-4" NPT High-Speed RH	1 ea
032-38125	2.5"-4" NPT H.S. for Cast Iron RH	1 ea
032-38130	2.5"-4" NPT H.S. for PVC RH	1 ea
032-70640	2.5"-4" NPT H.S. for Stainless Steel RH	1 ea

2 pc Split Ring - Model 141



Item #	Description	Std Pkg
032-39695	2pc Split Ring F/141 & 4PJ	1 ea

B-500 Transportable Pipe Beveller



- Set-up and bevel 10" diameter schedule 40 pipe in 45 seconds
- Pipe is cool to touch immediately following bevelling
- Adjustable land width from 0" to 3/16"
- 6 replaceable cutter inserts

Item #	Description	Std Pkg
032-49298	B-500 Transportable Pipe Beveller	1 ea

Dark Thread Cutting Oil - 0.2 gal



- Cools threads and pipe during operation.
- Speeds metal removal.
- Improves thread quality.
- Reduces threading torque.

Item #	Description	Std Pkg
032-41590	0.2 Gal Dark Thread Cutting Oil	12 ea

RIDGID

Dark Thread Cutting Oil - 1 gal



- Speeds metal removal
- Improves thread quality
- Reduces threading torque
- Cools threads and pipe during operation

Item #	Description	Std Pkg
032-70830	1 gal Dark Thread Cutting Oil	6 ea

Dark Thread Cutting Oil - 5 gal



- Speeds metal removal
- Improves thread quality
- Reduces threading torque
- Cools threads and pipe during operation

Item #	Description	Std Pkg
032-41600	5 gal Dark Thread Cutting Oil	1 ea

Nu-Clear Thread Cutting Oil - 1 gal



- Speeds metal removal
- Improves thread quality
- Reduces threading torque
- Cools threads and pipe during operation

Item #	Description	Std Pkg
032-70835	1 gal Nu-Clear Thread Cutting Oil	6 ea

Nu-Clear Thread Cutting Oil - 5 gal



- Speeds metal removal
- Improves thread quality
- Reduces threading torque
- Cools threads and pipe during operation

Item #	Description	Std Pkg
032-41575	5 gal Nu-Clear Thread Cutting Oil	1 ea

Endura-Clear Thread Cutting Oil - 1 gal



- Speeds metal removal
- Improves thread quality
- Reduces threading torque
- Cools threads and pipe during operation

Item #	Description	Std Pkg
032-32808	1 gal Endura-Clear Thread Cutting Oil	6 ea

Extreme Thread Cutting Oil - 1 gal



- Speeds metal removal
- Improves thread quality
- Reduces threading torque
- Cools threads and pipe during operation

Item #	Description	Std Pkg
032-74012	1 gal Extreme Performance Thread Cutting Oil	6 ea

Extreme Thread Cutting Oil - 5 gal



- Speeds metal removal
- Improves thread quality
- Reduces threading torque
- Cools threads and pipe during operation

Item #	Description	Std Pkg
032-74047	5 gal Extreme Performance Thread Cutting Oil	1 ea

Extreme Thread Cutting Oil - Spray



- Speeds metal removal
- Improves thread quality
- Reduces threading torque
- Cools threads and pipe during operation

Item #	Description	Std Pkg
032-22088	0.1 gal Extreme Performance Spray	12 ea

Model 418 Oiler



- Pump Assembly – 50% more oil per stroke
- Ergonomic 2-finger trigger design that reduces user fatigue
- Die cast, heavy-duty body with swivel nozzle with no exposed parts for longer life
- Heavy Duty Reservoir – Fastenerless twist and lock drip pan
- Reservoir will not crack or leak

Item #	Description	Std Pkg
032-10883	Oiler w/1 gal Premium Thread Cutting Oil	1 ea

Model 690-I Power Drive



- Simple twist and release for the 1½" 2" Die Heads and Die Head Adapter
- Dual "V" Jaw Reaction Arm firmly prevents slipping

Item #	Description	Std Pkg
032-44923	Power Drive 1/2"-2" NPT Die Heads	1 ea

RIDGID

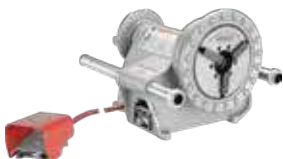
Model 700 Power Drive



- Heavy-duty hand-held power drive
- Designed for RIDGID No. 12-R die heads
- Other RIDGID die heads (OO-R, OO-RB, 11-R) using adapters
- Also used with 258/258XL pipe cutters

Item #	Description	Std Pkg
032-41935	115V 700 Power Drive	1 ea
032-41940	230V 700 Power Drive	1 ea

Model 300 Power Drive



- RIDGID speed chuck
- Reversible 1/2 HP universal motor
- Recessed On/Off/Reverse switch
- Convert a 300 Power Drive to a portable threading machine

Item #	Description	Std Pkg
032-41855	115V 300 Power Drive Tool Only 38 RPM	1 ea
032-75075	115V 300 Power Drive Only 57 RPM	1 ea

Model 300 Power Drive Complete



- RIDGID Speed Chuck
- Reversible 1/2 HP Universal Motor
- Recessed On/Off/Reverse Switch
- Ideal For Use With RIDGID Roll Groovers

Item #	Description	Std Pkg
032-15682	115V 300 Power Drive Complete	1 ea

Automatic Threading Machine - 535A



- Automatic chuck
- Large 1.75 gallon oil reservoir
- Top cover area for keeping tools and fittings handy
- Length gauge for quick, accurate cut-off

Item #	Description	Std Pkg
032-84097	535A Automatic Threading Machine	1 ea

Threading Machine - 535



- Large 1.75 gal. oil tray
- High clearance carriage
- Speed chuck with rocker-action jaws centers and grips work piece instantly
- Length gauge for quick, accurate cut-off

Item #	Description	Std Pkg
032-93287	535 Threading Machine	1 ea

Threading Machine - 1224



- An induction motor
- 2 1/2"-4" receding die head allows cutting of tapered or straight NPT/ NPSM or BSPT/BSPP threads
- Constant and proper lubrication of dies and workpiece with through-head oiling

Item #	Description	Std Pkg
032-26092	1224 Threading Machine	1 ea

Model 1224 Die Heads



- Self-Opening
- Right-handed
- Weight: 13 lbs
- Does NOT include dies

Item #	Description	Std Pkg
032-26132	1/4"-2" Universal Self-Opening R.H., NPT	1 ea
032-26152	2-1/2"-4" Receding Self-Opening R.H., NPT	1 ea
032-55447	2-1/2"-4" Cut-Grooving Die Head	1 ea

Model 1224 Pipe Dies



- High speed, right-handed dies
- Die capacity 2 1/2 to 4 inches

Item #	Description	Std Pkg
032-26192	1224 2-1/2" - 4 NPT HS Pipe Die	1 ea
032-31827	1224 HS NPT Dies for Plastic Coated Pipe	1 ea
032-33057	1224 HS Dies NPT for Stainless Steel	1 ea
032-33072	1224 45° Beveling Dies	1 ea
032-33077	1224 37-1/2° Beveling Dies	1 ea
032-44997	1224 37-1/2° Bevel Bit Only	1 ea

F-Series Vises



- Rolled double lead Acme screw
- Steel handle with rubber anti-pinch rings
- Forged steel swivel base

Item #	Description	Std Pkg
032-66987	F-45 4-1/2" Forged Vise	1 ea
032-66992	F-50 5" Forged Vise	1 ea
032-66997	F-60 6" Forged Vise	1 ea

Ball Pein Hammer



- High-quality steel heads
- Tempered steel for strength, hardness and resiliency
- Wood handles are select grain burnished hickory

Item #	Description	Std Pkg
032-52465	24 oz Ball Pein Hammer	6 ea
032-52470	32 oz Ball Pein Hammer	6 ea



Model 212 Pro Arc Saw



- Large tensioning knob for fast blade replacement
- Rubberized handgrips for maximal comfort
- Two mounting positions for the blade (45° or 90° cut angles)

Item #	Description	Std Pkg
032-20238	Pro Arc Aluminum Hack Saw	1 ea

Bi-Metal Hack Saw Blades



- High-speed teeth electron-beam-welded to tough die steel backing
- Available in 18 TPI – 24 TPI and 300 mm length

Item #	Description	Std Pkg
032-93785	Heavy Duty Bi-Metal Hack Saw Blades	1 ea
032-93790	General Purpose Bi-Metal Hack Saw Blades	1 ea

Tape Measure - 625



- Built-in shock bumper
- Heavy-duty, 2-sided nylon-coated blade
- Wide blade

Item #	Description	Std Pkg
032-20218	1-1/16" x 25' Tape Measure	1 ea

Shovels - 50482



- Rustproof 14-gauge steel
- One-piece shovel blade and shank
- Burnished, lacquered ash handles
- Round blades have a slip-resistant, turned step

Item #	Description	Std Pkg
032-50482	LHRP 170FG Shovel - Fiberglass Handle	6 ea

Shovels - 50487



- Rustproof 14-gauge steel
- One-piece shovel blade and shank
- Burnished, lacquered ash handles
- Round blades have a slip-resistant, turned step

Item #	Description	Std Pkg
032-50487	LHSP 171FG Shovel - Fiberglass Handle	6 ea

Shovels - 52300



- Rustproof 14-gauge steel
- One-piece shovel blade and shank
- Burnished, lacquered ash handles
- Round blades have a slip-resistant, turned step

Item #	Description	Std Pkg
032-52300	LHRP 170 Shovel - Wood Handle	6 ea

Shovels - 52305



- Rustproof 14-gauge steel
- One-piece shovel blade and shank
- Burnished, lacquered ash handles
- Round blades have a slip-resistant, turned step

Item #	Description	Std Pkg
032-52305	LHRP 171 Shovel - Wood Handle	6 ea

Micro IR-200 Infrared Thermometer



- Squeeze the trigger and point the ultra-sharp dual class II lasers at the surface being measured
- Adjustable Emissivity to accurately measure the temperature of virtually any surface
- Backlit display can be toggled on in poorly lit areas

Item #	Description	Std Pkg
032-36798	Micro IR-200 Non-contact Infrared Thermometer	1 ea

Line Locator with Bluetooth & GPS



- Omnidirectional antennas capture the complete signal field
- The receiver displays the utility's position and direction on the display
- Audio and visual warnings notify the operator if the shape of the signal field is being distorted

Item #	Description	Std Pkg
032-44473	SR-24 Line Locator w/Bluetooth & GPS	1 ea

SeekTech SR-60 Locator



- For fast confident locates even under tough locate conditions (poor conductors, poor soil conditions, poor grounding, etc.)

Item #	Description	Std Pkg
032-22163	SR-60 Receiver Locator	1 ea

RIDGID

SeekTech SR-20 Locator



- Lightweight yet rugged receiver that provides all the information needed for faster, more accurate locates

Item #	Description	Std Pkg
032-21893	SR-20 Utility Locator	1 ea

ST-33Q+ Line Transmitter



- Line Transmitter with Bluetooth for inducing current onto a target line
- Connects using any frequency from 10Hz to 490kHz* with power up to 10 Watts
- Use D-Cell alkaline batteries or 18V rechargeable RIDGID batteries
- Wirelessly change the transmitted frequency from the receiver up to 200 yards away

Item #	Description	Std Pkg
032-49343	ST-33Q+Line Transmitter w/Bluetooth	1 ea

ST-510 Line Transmitter



- Line Transmitter lets you energize metallic lines for tracing with a locator

Item #	Description	Std Pkg
032-21903	ST-510 10W Utility Line Locator	1 ea

ST-305 Line Transmitter



- Line Transmitter lets you energize metallic lines for tracing

Item #	Description	Std Pkg
032-21898	ST-305 Utility 5 Watt Transmitter	1 ea

SeekTech Inductive Signal Clamp



- Apply a signal to a cable or pipe when direct connection is not possible
- Compatible with all RIDGID® transmitters

Item #	Description	Std Pkg
032-20973	Seektech 4" Induction Clamp	1 ea

6 gal Wet/Dry Vac



- Ideal portability, capacity, and power in a traditional, compact wet/dry vac design

Item #	Description	Std Pkg
032-50308	6 gal Wet/Dry Vac 6000RV	1 ea

4.5 gal Wet/Dry Vac



- Unique toolbox design for portability and easy storage
- The accessories, expanding hose and 5 peak HP motor combine to destroy the mess

Item #	Description	Std Pkg
032-50318	4.5 gal Wet/Dry Vac 4500RV Propack	1 ea

12 gal Wet/Dry Vac



- Unique motor-on-bottom design delivering 6.5 peak HP
- Design provides stability and makes accessing the filter and emptying the drum easier
- 8' premium locking pro hose

Item #	Description	Std Pkg
032-50333	12 gal Wet/Dry Vac MOB 1250RV	1 ea

16 gal Wet/Dry Vac



- 16-gallon industrial wet/dry vacuum with motor-on-bottom design that delivers improved stability, noise reduction, large capacity, rugged construction, and excellent mobility

Item #	Description	Std Pkg
032-50338	16 gal Wet/Dry Vac MOB 1650RV	1 ea

14 gal Wet/Dry Vac



- 14-gallon industrial-strength wet/dry vacuum with a cart that delivers 6.0 peak HP

Item #	Description	Std Pkg
032-50348	14 gal Wet/Dry Vac 1400RV w/Cart	1 ea



4 pc O-Ring Splicing Kit

Make your own "O-Rings" on the Job

Includes:

- 1 tube of Tite-Seal Miracle Adhesive
- Cutting and Splicing Jig
- 4 pieces O-Ring Nitrile Buna-N Cord Stock



Item #	Description	Std Pkg
191-R-SK5	4 pc O-Ring Splicing Kit	1 ea



1 gal Orange Victory Jug



- Drip-resistant spigot
- Durable construction
- Leak resistant lid and spout
- Urethane based foam insulation
- Resists scratching, denting, fading

Item #	Description	Std Pkg
173-156006	1 gal Victory Jug Orange (FG15600611)	6 ea

2 gal Orange Victory Jug



- Easy-to-clean liner
- Drip-resistant spigot
- Leak resistant lid and spout
- Urethane based foam insulation

Item #	Description	Std Pkg
173-153004	2 gal Victory Jug Orange (FG15300411)	4 ea

2 gal Blue Victory Jug



- Easy-to-clean liner
- Drip-resistant spigot
- Leak resistant lid and spout
- Urethane based foam insulation

Item #	Description	Std Pkg
173-153004MODBL	2 gal Victory Jug FG153004MODBL Blue/White	4 ea

3 gal Orange Plastic Water Cooler



- Screw tight lid
- Drip-resistant spigot
- Extra-thick insulation
- Swing-top bail handle
- Cup holder side mount
- Stain and odor resistant

Item #	Description	Std Pkg
173-168301	3 gal Orange Plastic Water Cooler (FG16830111)	1 ea

5 gal Orange Plastic Water Cooler



- Extra-thick insulation
- Cup holder side mount
- Recessed drip-resistant spigot
- Resists scratching, denting, fading
- Crack-resistant polyethylene jacket

Item #	Description	Std Pkg
173-168501	5 gal Orange Plastic Water Cooler	1 ea

5 gal Blue Water Cooler



- Extra-thick insulation
- Cup holder side mount
- Recessed drip-resistant spigot
- Resists scratching, denting, fading
- Crack-resistant polyethylene jacket

Item #	Description	Std Pkg
173-1841000	5 gal Blue Water Cooler	1 ea

7 gal Orange Plastic Water Cooler



- Drip-resistant spigot
- Extra-thick insulation
- Cup holder side mount
- Resists scratching, denting, fading

Item #	Description	Std Pkg
173-165501	7 gal Orange Plastic Water Cooler (FG16550111)	1 ea

10 gal Orange Plastic Water Cooler



- Drip-resistant spigot
- Extra-thick insulation
- Cup holder side mount
- Resists scratching, denting, fading

Item #	Description	Std Pkg
173-161001	10 gal Orange Plastic Water Cooler (FG16100111)	1 ea

Water Cooler Lid



- Screw on lid
- Durable plastic
- Weather-resistant

Item #	Description	Std Pkg
173-040306	Lid f/3 gal Water Cooler (FG04030601)	6 ea
173-040506	Lid f/5 gal Water Cooler (FG04050601)	6 ea
173-097606	Lid f/10 gal Water Cooler (FG09760692)	5 ea

102 qt White Marine Cooler



- Extra thick insulation
- Keeps ice up to 5 days at 90° F
- Stain and odor resistant, easy-to-clean liner
- Threaded drain plug

Item #	Description	Std Pkg
173-198200	102 qt Marine Cooler White (FG198200TRWHT)	1 ea



50 qt Insulated Cooler



- Extra thick insulation
- Keeps ice up to 5 days at 90° F
- Built in cup holders
- Hinged, split lid

Item #	Description	Std Pkg
173-1931021	50 qt Modern Blue Cooler	2 ea

White Cup Dispenser



- Color: White
- Durable plastic
- Weather-resistant
- Designed for Rubbermaid water coolers

Item #	Description	Std Pkg
173-825706	7 oz White Cup Dispenser	6 ea

Drain Spout for Ice Chest



- 3 pc assembly
- Replacement drain spout
- Designed for Rubbermaid coolers

Item #	Description	Std Pkg
173-053801	Drain Spout for Ice Chest (FG05380192)	1 ea

Replacement Spigot f/coolers



- Drip-free
- Snug-fitting design
- One-handed operation push-button

Item #	Description	Std Pkg
173-0580WW	2B87T8WHT Replacement Spigot f/coolers	1 ea

Universal Mounting Bracket



- Weather-resistant
- For horizontal mounting
- Designed for Rubbermaid water coolers
- Easily fasten cooler to a truck bed, table, etc

Item #	Description	Std Pkg
173-1640-02-331	Universal Mounting Bracket f/cup dispenser	1 ea



Trash Can Liner



- 13 gal
- Wing tie
- 0.65 mil
- 120 bags and twist ties

Item #	Description	Std Pkg
059-RP102A	13 gal White Trash Can Liner - 120 ct	1 box

Heavy Duty Contractor Bags



- Heavy Duty 3 mil
- Black contractor bags
- Packaged in durable cardboard box

Item #	Description	Std Pkg
059-CCB720	42 Gal 3 Mil Contractor Bags - 20 ct	1 box
059-CCB733	33 Gal 3 Mil Contractor Bags - 12 ct	1 box
059-CCB750	42 Gal 3 Mil Contractor Bags - 50 ct	1 box
059-CDL5515	55 Gal 3 Mil Contractor Bags - 15 ct	1 box



7400 Alkyd Enamel



- High gloss finish
- One coat coverage
- Dries tack free in 2-4 hrs
- Protects against mild chemicals

Item #	Description	Std Pkg
209-1210402	1 gal Fire Hydrant Red >450 VOC Alkyd Enamel	2 ea
209-1282402	1 gal 7400 Forest Green >450 VOC Alkyd Enamel	2 gal
209-2766402	1 gal High Gloss White >450 VOC Alkyd Enamel	2 gal
209-470402	1 gal 7400 Aluminum >450 VOC Alkyd Enamel	2 gal
209-634402	1 gal High Gloss Black >450 VOC Alkyd Enamel	2 gal
209-865402	1 gal 7400 Dunes Tan >450 VOC Alkyd Enamel	2 gal
209-906402	1 gal 7400 Silver Gray >450 VOC Alkyd Enamel	2 gal
209-925402	1 gal 7400 Safety Blue >450 VOC Alkyd Enamel	2 gal
209-933402	1 gal 7400 Safety Green >450 VOC Alkyd Enamel	2 gal
209-935402	1 gal 7400 Vista Green >450 VOC Alkyd Enamel	2 gal
209-944402	1 gal Safety Yellow 7400 >450 VOC Alkyd Enamel	2 gal
209-956402	1 gal 7400 Safety Orange >450 VOC Alkyd Enamel	2 gal
209-964402	1 gal 7400 Safety Red >450 VOC Alkyd Enamel	2 gal
209-975402	1 gal 7400 Navy Gray >450 VOC Alkyd Enamel	2 gal

7400 Fast Recoat Primer



- 450 VOC
- Dries in less than an hour
- Can be left exposed up to 6 months without top-coating

Item #	Description	Std Pkg
209-678402	1 gal 7400 Primer Red Quick Dry Alkyd Enamel	2 gal
209-7086402	1 gal Quick Dry Gray Primer Alkyd Oil Base Enamel	2 gal

7400 Red Damp Proof Primer



- 450 VOC
- Apply directly to rust
- Prevents further corrosion
- Penetrates down to the bare metal

Item #	Description	Std Pkg
209-769402	1 gal 7400 Red Industrial Primer Alkyd Enamel	2 gal

RUST-OLEUM

V7400 Alkyd Enamel



- 340 VOC
- High gloss finish
- One coat coverage
- Dries tack-free in 2-4 hrs
- Protects against mild chemicals

Item #	Description	Std Pkg
209-245388	1 gal V7400 Forest Green >340 VOC Alkyd Enamel	2 gal
209-245403	1 gal High Gloss Black >340 VOC Alkyd Enamel	2 gal
209-245406	1 gal High Gloss White >340 VOC Alkyd Enamel	2 gal
209-245443	1 gal Navy Gray >340 VOC Alkyd Enamel	2 gal
209-245478	1 gal Safety Red >340 VOC Alkyd Enamel	2 gal
209-245479	1 gal Safety Yellow >340 VOC Alkyd Enamel	2 gal

V7400 Fast Recoat Primer



- 340 VOC
- Tack-free in 30 min
- Can be left exposed up to 6 months without top coating

Item #	Description	Std Pkg
209-V769402	1 gal Quik Dry Red Primer >340 VOC Alkyd Primer	2 gal

Paint Thinner Solvent - 333



- Solvent base
- VOC compliant
- Contains acetone
- Application: brush, roller or spray
- Not compatible with epoxy base products

Item #	Description	Std Pkg
209-333402	1 gal 333 Paint Thinner Solvent VOC Compliant	2 gal

Paint Thinner Solvent - 641



- Solvent base
- VOC compliant
- Contains acetone
- Application: brush, roller or spray
- Not compatible with epoxy base products

Item #	Description	Std Pkg
209-641402	1 gal 641 Paint Thinner Solvent	2 gal

High Performance Enamel Spray



- Fast Dry
- Fast-drying
- Indoor/outdoor
- Tough, attractive coating
- Durable, corrosion resistant
- Professional high performance protective enamel

Item #	Description	Std Pkg
209-7538838	15 oz HP Hunter Green Enamel	6 ea
209-7543838	15 oz Pro HP Safety Yellow Enamel	6 ea
209-7564838	15 oz Pro HP Safety Red Enamel	6 ea
209-7579838	15 oz Pro HP Gloss Black Enamel	6 ea
209-7592838	15 oz Pro HP Gloss White Enamel	6 ea

V2100 Enamel Spray Paint



- High output tip
- Dries in 20 minutes
- Extra wide comfort nozzle
- Withstands heat to 200°F
- Superior resistance to chipping, cracking, peeling

Item #	Description	Std Pkg
209-2233838	14 oz Green Acrylic Enamel Rust Preventative	6 ea
209-2255838	14 oz Orange Acrylic Enamel Rust Preventative	6 ea
209-2264838	14 oz Red Acrylic Enamel Rust Preventative	6 ea
209-V2115838	14 oz Silver Aluminum Acrylic Enamel	6 ea
209-V2124838	15 oz Safety Blue Acrylic Enamel	6 ea
209-V2125838	15 oz Deep Blue Acrylic Enamel	6 ea
209-V2134838	15 oz Bright Green Acrylic Enamel	6 ea
209-V2137838	15 oz Dark Green Acrylic Enamel	6 ea
209-V2143838	15 oz Safety Yellow Acrylic Enamel	6 ea
209-V2155838	15 oz Safety Orange Acrylic Enamel	6 ea
209-V2163838	15 oz Safety Red Acrylic Enamel	6 ea
209-V2164838	15 oz Bright Red Acrylic Enamel	6 ea
209-V2169838	15 oz Red Primer Acrylic Enamel	6 ea
209-V2171838	15 oz Tan Acrylic Enamel	6 ea
209-V2175838	15 oz Chestnut Brown Acrylic Enamel	6 ea
209-V2178838	15 oz Flat Black Acrylic Enamel	6 ea
209-V2179838	15 oz Gloss Black Acrylic Enamel	6 ea
209-V2182838	15 oz Gray Primer Acrylic Enamel	6 ea
209-V2187838	15 oz Dark Machine Gray Acrylic Enamel	6 ea
209-V2192838	15 oz Gloss White Acrylic Enamel	6 ea

V2100 Galvanizing Compound Spray



- Dries in 20 minutes
- 93% pure zinc coating
- Withstands heat to 200°F
- Extra wide comfort nozzle
- Maximum corrosion resistance

Item #	Description	Std Pkg
209-V2185838	20 oz Cold Galvanized Rust Preventative	6 ea

Protective Enamel Spray



- Stops rust
- Indoor/outdoor
- Protective enamel
- Durable, corrosion resistant
- Gloss, semi-gloss or flat finish

Item #	Description	Std Pkg
209-7771830	12 oz Gloss Sand/Tan Protective Enamel	6 ea

1600 System General Purpose Enamel Aerosol



- Dries to the touch in 12 minutes
- For indoor/outdoor industrial-maintenance use
- Resists chipping, fading and peeling; withstands heat to 200° F
- Sprays from any angle, even upside down

Item #	Description	Std Pkg
209-1686830	12 oz Universal Gray General Purpose Enamel	6 ea

RUST-OLEUM

V2300 Inverted Marking Paint



- Dry Time 5 Minutes
- Guaranteed not to clog
- Dries in under 5 minutes
- Creates 2-3" wide marks
- Convenient spray through cap
- Resists early fading and chalking

Item #	Description	Std Pkg
209-V2333838	15 oz Inverted Fluorescent Green Marking Paint	6 ea
209-V2344838	15 oz Inverted Hi-vis Yellow Marking Paint	6 ea
209-V2355838	15 oz Inverted Fluorescent Orange Marking Paint	6 ea
209-V2392838	15 oz Inverted White Marking Paint	6 ea

M1600 Inverted Marking Paint



- Solvent-based formula
- Adheres to hot surfaces
- Dries in under 5 minutes
- Precision tip, no overspray
- Resists early fading and chalking

Item #	Description	Std Pkg
209-203025	17 oz Hi-Vis Yellow Inverted Marking Paint	12 ea
209-203027	17 oz Orange Inverted Marking Paint	12 ea
209-203036	17 oz Fluor Orange Inverted Marking Paint	12 ea

Overall Enamel Spray



- Gloss black
- Fast dry enamel
- Industrial / economical
- For indoor / outdoor use

Item #	Description	Std Pkg
209-V2402830	10 oz Overall Gloss Black Enamel	6 ea
209-V2407830	10 oz Overall Gloss Red Enamel	6 ea
209-V2408830	10 oz Overall Gloss Blue Enamel	6 ea

Overall Aluminum Aerosol Paint



Item #	Description	Std Pkg
209-V2412830	10 oz Overall Alum. Enamel Paint	6 ea

Overall Orange Aerosol Paint



Item #	Description	Std Pkg
209-V2414830	10 oz Overall Orange Enamel Paint	6 ea

SAFE-T-WAY

Type 1 Red Safety Gas Can



- Type 1
- Color: Red
- Tubular steel handle
- UL, ULC & FM Listed
- Single spring closure for filling & pouring

Item #	Description	Std Pkg
109-SC1000	1 gal Type 1 Red Safety Gas Can	1 ea
109-SC1025	2.5 gal Type 1 Red Safety Gas Can	1 ea
109-SC1030	3 gal Type 1 Red Safety Gas Can	1 ea
109-SC1050	5 gal Type 1 Red Safety Gas Can	1 ea

Type 2 Red Safety Gas Can



- Type 2
- Color: Red
- 22 Gauge Steel
- Safe pouring w/o spilling
- Spark-proof brass tip
- Enclosed vapor control

Item #	Description	Std Pkg
109-SC2025	2.5 gal Type 2 Red Safety Gas Can	1 ea
109-SC2030	3 gal Type 2 Safety Gas Can	1 ea
109-SC2050	5 gal Type 2 Safety Gas Can	1 ea

Type 1 Yellow Safety Diesel Can



- Type 1
- Color: Yellow
- One hand opening
- Tubular steel handle
- Relieves internal vapor pressure before opening

Item #	Description	Std Pkg
109-SC1025-YEL	2.5 gal Type 1 Yellow Safety Diesel Can	1 ea
109-SC1050-YEL	5 gal Type 1 Yellow Safety Diesel Can	1 ea

Type 2 Yellow Safety Diesel Can



- Type 2
- Color: Yellow
- 22 Gauge Steel
- Tubular Steel handle
- 1 for Filling Opening
- 1 for Pouring Opening

Item #	Description	Std Pkg
109-SC2050-YEL	5 gal Type 2 Yellow Safety Diesel Can	1 ea

Type 1 Polyethylene Funnel



Item #	Description	Std Pkg
109-PPF-8	8-1/4" Type 1 Polyethylene Funnel	1 ea

SAFE-T-WAY

Type 2 Metal Flex Hose



Item #	Description	Std Pkg
109-R-3409	3/4" x 9" Type 2 Metal Flex Hose	1 ea

SAR-GEL[®] BY ARKEMA

Water Finding Paste



- 1 oz tube
- Water/alcohol indicating paste shows the presence of water bottoms in fuel storage tanks
- White paste turns bright red on contact with water

Item #	Description	Std Pkg
193-SR160	1 oz Tube Water Indicating Paste	12 ea



Shop Towel - 75130



- Perfect for automotive and workshop tasks
- Soft, absorbent and strong; great for wiping hands and tools

Item #	Description	Std Pkg
062-75130	Blue Shop Towels 55 Sheets Per Roll	30roll/cs

Shop Towel - 75190



- Perfect for automotive and workshop tasks
- Soft, absorbent and strong; great for wiping hands and tools

Item #	Description	Std Pkg
062-75190	Blue Shop Towels 200 Sheets Per Box	8bx/cs

ITW SCRUBS[®] Brand Wipes

Scrubs in a Bucket - 42230



- NO SOAP! NO WATER! NO PROBLEM!
- For use on hands and surfaces
- Advanced cleaning power
- Clean, citrus fragrance
- No sticky residue

Item #	Description	Std Pkg
087-42230	Scrubs-in-a-Bucket 30/bucket	6 ea

Scrubs in a Bucket - 42272



- NO SOAP! NO WATER! NO PROBLEM!
- For use on hands and surfaces
- Advanced cleaning power
- Clean, citrus fragrance
- No sticky residue

Item #	Description	Std Pkg
087-42272	Scrubs-in-a-Bucket	6 ea

Insect Shield Wipes



- Non-greasy
- 30% DEET
- Lasts up to 6 hours
- Waterproof formula
- Protects from insects with the west nile virus

Item #	Description	Std Pkg
087-91401	Insect Shield Repellent Towels (100/cs)	1 cs

Sesamee[®]

K0436 Combination Padlock



- 2" wide solid brass case
- 10,000 possible combinations
- Set-your-own 4-digit combination
- All brass internal locking mechanism

Item #	Description	Std Pkg
021-K0436	Keyless Marine Padlock	5 ea

K436 Combination Padlock



- 2" wide solid brass case
- 10,000 possible combinations
- Set-your-own 4-digit combination
- All brass internal locking mechanism

Item #	Description	Std Pkg
021-K436	Keyless Padlock 5/16" X 1" Shackle	6 ea

Sesamee®

K437 Combination Padlock



- Solid Brass Body
- Shackle clearance is 2-1/4"
- 2 inch wide solid brass case
- 10,000 possible combinations
- Set-your-own 4-digit combination

Item #	Description	Std Pkg
021-K437	Keyless Padlock 5/16" X 2-1/4"	6 ea

K636 Combination Padlock



- Four All Brass Dials
- 7/16" Chrome Plated Shackle
- 10,000 Changeable Combinations
- Industrial strength combination lock resists

Item #	Description	Std Pkg
021-K636	Super Sesamee Keyless Padlocks	5 ea

K637 Combination Padlock



- Full metal jacket
- Solid brass body
- Large diameter shackle
- Shackle pull strength is 2,750 pounds
- 10,000 potential personalized options

Item #	Description	Std Pkg
021-K637	Super Padlock	5 ea



Michigan Single Bit Axe



- 36" Double-injected fiberglass handle
- Single bit 3.5 lb head

Item #	Description	Std Pkg
103-AX-3FG	3.5 lb Michigan Single Bit w/36" Fiberglass Handle	4 ea

Michigan Double Bit Axe



- 36" Double-injected fiberglass handle
- Double bit 3.5 lb head

Item #	Description	Std Pkg
103-AX-DB3FG	3.5 lb Double Axe w/36" Fiberglass Handle	4 ea

Steel Blade Machete



- Black poly handle with brass rivets
- Cutlery steel blade

Item #	Description	Std Pkg
103-2P-MA18	18" Steel Blade Machete Black Poly Handle	12 ea
103-2P-MA22	22" Steel Blade Machete Black Poly Handle	12 ea

Canvas Machete Sheath



- Canvas sheath with belt loop

Item #	Description	Std Pkg
103-2P-MA18S	18" Black Canvas Sheath for 18" Machete	12 ea
103-2P-MA22S	22" Black Canvas Sheath for 22" Machete	12 ea

Fiberglass Soil Probe



- Fiberglass handle with t-cushion grip
- Cast metal tip

Item #	Description	Std Pkg
103-SP48	48" Soil Probe Fiberglass Shaft Metal Tip	4 ea
103-SP60	60" Soil Probe Fiberglass Shaft Metal Tip	4 ea

Hoe Head



- 7" blade
- American pattern
- 1-3/4" diameter hole
- Uniform taper cutting edge

Item #	Description	Std Pkg
103-2E-AEO	7" Eye Hoe Blade Head ONLY	3 ea

Hoe Handle



- 54" circular shaped handle

Item #	Description	Std Pkg
103-DG-AEH	54" Eye Hoe Handle	3 ea



Penetrating Oil



- Safe, fast, effective
- Pleasant citrus odor
- Cuts rust & carbon rapidly
- No galling or binding

Item #	Description	Std Pkg
226-S-OK-AERO	10 oz S-OK Penetrating Oil	12 ea



Aluminum Body Utility Pump



- 2 year warranty
- 115V AC with 8' cord
- Cast aluminum body
- 1320 gallons per hour
- Max. Water temp 120°F

Item #	Description	Std Pkg
139-2300-04	1/4 HP Geyser Classic Submersible Utility Pump	1 ea

Portable Utility Pump



- 1 year warranty
- 115V AC with 8' cord
- 1320 gallons per hour
- Max water temp 120°F
- Strong thermoplastic body

Item #	Description	Std Pkg
139-2305-04	1/4 HP Thermoplastic Submersible Utility Pump	1 ea

Water Removal Utility Pump



- 1 year warranty
- 115V AC w/8' cord
- 2160 gallons per hour
- Max water temp 120°F
- Tough thermoplastic body

Item #	Description	Std Pkg
139-2355-04	1/3 HP Thermoplastic Submersible Utility Pump	1 ea

12 Volt Utility Pump



- 6' cord length
- 450 gallons per hour
- 12V equivalent to 1/2 HP
- 90 day limited warranty
- Max water temp 120°F

Item #	Description	Std Pkg
139-BW85P	1/2 HP DC Transfer Pump	1 ea

Heavy Duty Sump Pump



- 8' cord length
- 1 year warranty
- 3600 gallons per hour
- Max water temp 120°F

Item #	Description	Std Pkg
139-2163	1/3 HP Submersible Sump Pump	1 ea



Flat File



- Great for "hogging" or rapid stock removal
- Double cut on both sides, single cut on the edges
- Exclusive "wavy tooth" design

Item #	Description	Std Pkg
106-73-230000	6" Flat File - 2nd Cut	12 ea
106-73-232000	8" Flat File - Bastard	12 ea
106-73-234000	10" Flat File - Bastard	12 ea
106-73-234500	10" Flat File - 2nd Cut	12 ea
106-73-235000	10" Flat File - Smooth	12 ea
106-73-236000	12" Flat File - Bastard	12 ea
106-73-236500	12" Flat File - 2nd Cut	6 ea
106-73-237000	12" Flat File - Smooth	12 ea
106-73-238000	14" Flat File - Bastard	12 ea
106-73-239000	14" Flat File - Smooth	12 ea

Half Round File



- Great for rounding out holes, corners & crevices
- Double cut on both sides
- Built-in "twist & roll" action on the half round side

Item #	Description	Std Pkg
106-73-319000	8" Half Round File - Bastard	12 ea
106-73-321000	10" Half Round File - Bastard	12 ea
106-73-321500	10" Half Round File - 2nd Cut	12 ea
106-73-323000	12" Half Round File - Bastard	6 ea
106-73-323500	12" Half Round File - 2nd Cut	6 ea
106-73-325000	14" Half Round File - Bastard	6 ea

Half Round Pipeliner



- A 14" Half Round File
- Double cut on both sides
- Featuring a built-in "twist & roll" action on the half round side produced by the Simonds "spiral cut" design and the exclusive "wavy tooth" design on the flat side

Item #	Description	Std Pkg
106-73-756060	14" Half Round Pipeliner	6 ea



Round File



- Intended for enlarging and rounding out circular openings or concave surfaces
- Round Files are double cut and taper toward the point in width and thickness

Item #	Description	Std Pkg
106-73-398500	8" Round File - Bastard	12 ea
106-73-399000	8" Round File - 2nd Cut	12 ea
106-73-400500	10" Round File - Bastard	12 ea
106-73-401000	10" Round File - 2nd Cut	12 ea
106-73-402500	12" Round File - Bastard	6 ea

Mill File



- Excellent for a wide range of applications such as sharpening, draw filing, lathe work and general shop use
- Mill Files are single cut on the sides and edges, and taper towards the point in width

Item #	Description	Std Pkg
106-73-143000	6" Mill File - Bastard	12 ea
106-73-145500	8" Mill File - Bastard	12 ea
106-73-146000	8" Mill File - 2nd Cut	12 ea
106-73-147500	10" Mill File - Bastard	12 ea
106-73-148500	10" Mill File - Smooth	12 ea
106-73-149500	12" Mill File - Bastard	6 ea
106-73-150000	12" Mill File - 2nd Cut	6 ea
106-73-150500	12" Mill File - Smooth	6 ea
106-73-151500	14" Mill File - Bastard	6 ea
106-73-396000	6" Mill File - Bastard	12 ea

Taper File



- Designed for filing all types of saws with 60° angle teeth
- Taper Saw Files are triangular in shape, have cut edges and taper toward the point in width and thickness

Item #	Description	Std Pkg
106-73-537000	6" Taper File - Slim	12 ea
106-73-538000	8" Taper File - Slim	12 ea
106-73-538500	10" Taper File - Slim	12 ea
106-73-549500	6" Taper File - Extra Slim	12 ea
106-73-562500	7" Taper File - Double Cut Extra Slim	12 ea
106-73-563000	8" Taper File - Double Cut Extra Slim	12 ea

Three Square File



- Excellent for cleaning out corners or for use on cutters, taps and flat surfaces
- Three Square Files are double cut and taper toward the point in width and thickness, and feature the exclusive "wavy tooth" design

Item #	Description	Std Pkg
106-73-516500	6" Three Square File - Bastard	12 ea
106-73-518000	8" Three Square File - Bastard	12 ea
106-73-519500	10" Three Square File - Bastard	12 ea

5 pc General Purpose Set



- **Includes:** 8" Mill Bastard, 8" Square Bastard, 8" Round Bastard, 8-1/2" Round Bastard, 8" Multi-Kit, Canvas Pouch

Item #	Description	Std Pkg
106-72-759230	5 pc 8" General Purpose File Set	1 set

9 Pc General Purpose Set



- **Includes:** 10" Flat Bastard, 10" 1/2 Round Bastard, 10" Round Bastard, 10" Mill Bastard, 10" Square Bastard, 10" Flat Smooth, 10" Hobby Rasp, 7" Slim Taper, File Card Cleaner, 1 Canvas Pouch

Item #	Description	Std Pkg
106-72-759250	9 pc 10" General Purpose File Set	1 set

5pc Assorted Black Maxi-Sharp Kit



- **Includes:** 8" Mill Bastard, 8-1/2" Round Bastard, 8" Multi-Kit, 8" Square Bastard, 8" Round Bastard, 1 Plastic Pouch

Item #	Description	Std Pkg
106-78-757010	5 pc 8" Assorted Black Maxi-Sharp File Kit	1 set

File Handle



- Threaded insert
- Easy on and easy off
- Reusable and long lasting

Item #	Description	Std Pkg
106-73-992600	6" Wooden File Handle	12 ea
106-73-992700	8" Wooden File Handle	12 ea
106-73-992800	10" Wooden File Handle	12 ea
106-73-992900	12" Wooden File Handle	12 ea
106-73-992950	14" Wooden File Handle	12 ea



Hard Hat Rack - Wall Mount



- Screw mounts on walls or any flat surface

Item #	Description	Std Pkg
127-STR-2-WM	Safe-T-Rak Wall Mount for Hard Hats	Bulk

Hard Hat Rack - Seat Mount



- Fits over most vehicle seats and is easily installed

Item #	Description	Std Pkg
127-STR-1-SM	Safe-T-Rak Seat Model for Hard Hats	Bulk

Hard Hat Rack - Window Mount Kit



- Suction cup mounting kit to mount Wall Model on glass surfaces

Item #	Description	Std Pkg
127-STR-3-WMK	Hard Hat Window Mounting Kit for Hard Hats	Bulk



Standard Leak Detector



- Non-Toxic, non-flammable
- Does not collect dust
- Does not contain chlorine, aliphatic amines or ammonium compounds

Item #	Description	Std Pkg
135-1GAL-SNOOP	1 gal MS-Snoop Red Standard Leak Detector	4 gal
135-8OZ-SNOOP	8 oz MS-Snoop Red Standard Leak Detector	36 ea

Real Cool Leak Detector



- Nontoxic, not flammable
- No residue dries clean
- No chlorine or halogen additives

Item #	Description	Std Pkg
135-MS-RC-SNOOP-8OZ	8 oz Real Cool Blue Low Temp Leak Detector	36 ea
135-RC-SNOOP-G	1 gal Real Cool Blue Low Temp Leak Detector	4 gal



Extra Heavy Weight Glove



- Super Oil Rig
- Extra heavy weight
- Poly/cotton outer
- Non-woven liner
- Red knit wrist

Item #	Description	Std Pkg
081-UPC195	Extra Heavy Weight Poly/cotton Red Knit Wrist	12 dz

Heavy Weight Glove



- Import
- Heavy weight
- Corded poly/cotton outer
- Non-woven liner
- Red knit wrist

Item #	Description	Std Pkg
081-ICHF185	Heavy Weight Corded Poly/cotton Red Knit Wrist	12 dz

Heavy Weight Glove



- Import
- Heavy weight
- 100% cotton
- Nap in
- Natural knit wrist

Item #	Description	Std Pkg
081-1183	Heavy Weight Knit Wrist	12 dz

Leather Glove



- Shirred elastic
- Keystone thumb
- Grain cowhide driver

Item #	Description	Std Pkg
081-LDK-L	Leather Drivers Glove Keystone Thumb - L	10 dz
081-LDK-M	Leather Drivers Glove Keystone Thumb - M	10 dz
081-LDK-XL	Leather Drivers Glove Keystone Thumb - XL	10 dz



SS-1 Industrial Absorbent



- Fast wicking and non-leaching
- Super absorbent organic compound
- Manufactured from sphagnum peat moss
- Lightweight, biodegradable, industrial absorbent
- Used to clean up oil, gas, diesel fuel, solvents, paints, glycol and organic chemical spills

Item #	Description	Std Pkg
183-SS-1	1 cu/ft Industrial Absorbent Peat Moss	6 ea



SS-2 Industrial Absorbent



- Helps to suppress vapors
- Super absorbent organic compound
- Manufactured from sphagnum peat moss
- Lightweight, biodegradable, industrial absorbent
- Used to clean up oil, gas, diesel fuel, solvents, paints, glycol and organic chemical spills

Item #	Description	Std Pkg
183-SS-2	2.2 cu/ft Industrial Absorbent Peat Moss	1 ea



White Lithium Grease



- Non-melting
- Inhibits corrosion
- Excellent cling for overhead applications
- Excellent lubricant for metal-to-metal applications

Item #	Description	Std Pkg
065-S00100	LU100 White Lithium Grease	12 ea

Rust Breaker Penetrant



- Non-flammable
- Water displacer
- Quickly loosens rust
- Penetrates grease and dirt
- Transparent and non-staining
- Will not harm painted surfaces

Item #	Description	Std Pkg
065-S00103	16 oz LU103 Rust Breaker Penetrant	12 ea

Dry Moly Lubricant



- Non-conductive lubricant
- Low coefficient of friction
- Bonds to all clean surfaces
- Molybdenum disulfide coating
- Withstands extreme pressures up to 50,000 PSI

Item #	Description	Std Pkg
065-S00200	Dry Moly Lube	12 ea

Open Gear & Wire Rope Lubricant



- Prevents rust and corrosion
- Withstands extreme pressure
- Adheres extremely well to surfaces
- Penetrates the pores of metal surfaces
- Black color assists in showing complete coverage

Item #	Description	Std Pkg
065-S00201	HD Open Gear & Wire Rope Lube	12 ea

All-Purpose Lubricant



- Ultra-thin film
- Contains no silicone
- Penetrates and prevents rust
- Displaces moisture and lubricates
- Transparent blend of high quality petroleum distillates

Item #	Description	Std Pkg
065-S00711	LU711 11 oz the Protector All-Purpose Lubricant	12 ea
065-S71101	LU711 gal The Protector All-Purpose Lubricant	4 ea
065-S71105	711 5 gal The Protector All-Purpose Lubricant	1 pail
065-S71155	711 55 gal Protector All-Purpose Lubricant	1 drum

Dry Graphite Lubricant



- Dries rapidly
- Reduces friction and water
- Provides clean, long-wearing lubrication
- High lubricity and adheres to most surfaces

Item #	Description	Std Pkg
065-S00204	16 oz Dry Graphite Lubricant Spray	12 ea

Cutting Oil



- Extends tool life
- Clings to surfaces
- Reduces friction and water
- Works on ferrous and soft metals
- Contains friction reducing triglycerides

Item #	Description	Std Pkg
065-S00208	Cutting Oil	12 ea

HD Citrus Degreaser



- Non-Toxic
- Citrus scent
- Biodegradable
- Non-chlorinated formula
- Removes grime, dirt, grease and oil
- Heavy duty, multi-purpose degreaser and adhesive

Item #	Description	Std Pkg
065-S00757	20 oz CD757 HD Citrus Degreaser	12 ea

General Purpose Cleaner



- Streak proof
- VOC Compliant
- Streak proof formula
- Works on all surfaces
- Removes spots on synthetic carpets
- Cuts through dirt, grease and soil surface smears

Item #	Description	Std Pkg
065-S00880	19 oz General Purpose Cleaner	12 ea



Clear Insulating Varnish



- Air dries in 10 minutes
- Clear insulating enamel
- Resists oil, moisture, acid and alkalis
- Oil and chemical abrasion resistance
- Excellent flexibility and water resistance

Item #	Description	Std Pkg
065-S00600A	Clear Insulating Varnish	12 ea

Red Insulating Varnish



- Water resistant
- Air dries in 10 minutes
- Excellent adhesion and flexibility
- Resists oil, moisture, acid and alkalis
- Meets NEMA & UL Class F Requirements

Item #	Description	Std Pkg
065-S00601A	Red Insulating Varnish	12 ea

Zinc Rich Galvanizing Compound



- Low VOC
- 97% Pure zinc dust
- Non-sagging formula
- High performance primer
- Stops rust on steel or galvanized coatings

Item #	Description	Std Pkg
065-S00740	16 oz Zinc-Rich Cold Galvanizing Compound	12 ea

Belt Dressing



- Conditions belts
- Reduces squeaky noise
- Increases pulling power
- Contains no asphalt or rosin
- Does not glaze or collect dirt
- Will not glaze, collect dirt or dust

Item #	Description	Std Pkg
065-S00607	Belt Dressing	12 ea

HD Paint Remover



- Removes baked finishes
- Fast acting paint remover
- Contains methylene chloride
- Cuts through all paint finishes
- Leaves surface clean and ready-to-paint
- Removes urethanes, varnish and shellac

Item #	Description	Std Pkg
065-S00615	Heavy Duty Paint Remover	12 ea

Multi-Purpose Spray Adhesive



- Dries quickly
- Controlled mist pattern
- Does not contain CFSS
- VOC and MIR Compliant
- Long lasting, secure bonds
- Tack Range: 10-30 seconds
- High coverage and low soak-in factor

Item #	Description	Std Pkg
065-S07000000	SP7000 24 oz Multi-purpose Spray Adhesive	12 ea

Insect Repellent



- 23.75% DEET
- No need for frequent re-application
- Protects against insect bites up to 4 hours
- Effectively repels mosquitoes, flies, chiggers, ticks, gnats, fleas, etc.

Item #	Description	Std Pkg
065-S00856	8 oz Insect Repellent II	12 ea

Wasp & Hornet Killer



- Sprays up to 20'
- 98% Knockdown
- 100% Kill within 24 hrs
- Ergonomic trigger spray nozzle
- For killing wasps, hornets, yellow jackets

Item #	Description	Std Pkg
065-S00857	12 oz Blast-Em Wasp & Hornet Killer Spray	12 ea



Crazy Clean All Purpose Cleaner



- Multi-purpose cleaner
- Clinging foam cleans and deodorizes
- Removes scuff marks from floors
- Removes crayon, grease spots and smoke film and other various stains
- Removes hand prints, scuff and crayon marks, grease spots, soot stains and smoke film

Item #	Description	Std Pkg
185-31	19 oz Crazy Clean All-Purpose Cleaner	12 ea

Crazy Clean Orange Citrus Cleaner



- Cleans, deodorizes and degreases parts, work areas, walls, and floors
- Removes dirty hand prints, scuff marks, soot, grease, smoke film, oil, dust, etc
- Contains no chlorinated solvents

Item #	Description	Std Pkg
185-SW985	Orange Citrus Crazy Clean	12 ea



Glass Cleaner



- Dissolves dirt, grease, grit, and grime
- Heavy-duty foam clings to vertical surfaces
- Guaranteed to leave no film
- Streakless shine
- Ammonia-free

Item #	Description	Std Pkg
185-50	19 oz Aerosol Glass Cleaner	12 ea

Brake Parts Cleaner



- Fast evaporating
- High pressure spraying
- Quickly Removes Grease, Dirt, Brake Fluid and Grime

Item #	Description	Std Pkg
185-SW070	14 oz Brake Cleaner Non-Chlor. Low VOC	12 ea



Powder Pack - 2.5 Gal



- **Assorted flavors:** lemon lime, orange, fruit punch, and grape
- Helps replenish fluids and electrolytes
- Contains no sugar or calories
- 1 package makes 2.5 gallons when mixed with water

Item #	Description	Std Pkg
213-016044-AS	2.5 gal Assorted (32ea/case) (FP, GR, LL, OR)	1 cs

20 oz Qwik Stik Zero - SL



- Mix with 20-ounces water
- Zero sugar and zero calories
- Simply pour, shake and drink

Item #	Description	Std Pkg
213-060099-SL	20 oz Qwik Stik Strawberry Lemonade	1 cs

20 oz Qwik Stik Zero - OR



- Mix with 20-ounces water
- Zero sugar and zero calories
- Simply pour, shake and drink

Item #	Description	Std Pkg
213-060100-OR	20 oz Qwik Stik Zero Orange	1 cs

20 oz Qwik Stik Zero - MB



- Mix with 20-ounces water
- Zero sugar and zero calories
- Simply pour, shake and drink

Item #	Description	Std Pkg
213-060101-MB	20 oz Qwik Stik Zero Mix Berry	1 cs

20 oz Qwik Stik Zero - FP



- Mix with 20-ounces water
- Zero sugar and zero calories
- Simply pour, shake and drink

Item #	Description	Std Pkg
213-060102-FP	20 oz Qwik Stik Zero FruitPunch	1 cs

20 oz Qwik Stik Zero - Lemonade



- Mix with 20-ounces water
- Zero sugar and zero calories
- Simply pour, shake and drink

Item #	Description	Std Pkg
213-060103-LA	20 oz Qwik Stik Zero Lemonade	1 cs

20 oz Qwik Stik Zero - Peach Tea



- Mix with 20-ounces water
- Zero sugar and zero calories
- Simply pour, shake and drink

Item #	Description	Std Pkg
213-060104-PT	20 oz Qwik Stik Zero Peach Tea	1 cs

20 oz Qwik Stik Zero - Raspberry



- Mix with 20-ounces water
- Zero sugar and zero calories
- Simply pour, shake and drink

Item #	Description	Std Pkg
213-060105-RB	20 oz Qwik Stik Zero Raspberry	1 cs



20 oz Qwik Stik Zero - Lemon Lime



- Mix with 20-ounces water
- Zero sugar and zero calories
- Simply pour, shake and drink

Item #	Description	Std Pkg
213-060106-LL	20 oz Qwik Stik Zero Lemon-Lime	1 cs

20 oz Qwik Stik Zero - Grape



- Mix with 20-ounces water
- Zero sugar and zero calories
- Simply pour, shake and drink

Item #	Description	Std Pkg
213-060107-GR	20 oz Qwik Stik Zero Grape	1 cs

20 oz Qwik Stik Zero - Cool Citrus



- Mix with 20-ounces water
- Zero sugar and zero calories
- Simply pour, shake and drink

Item #	Description	Std Pkg
213-060109-CC	20 oz Qwik Stik Zero Cool Citrus	1 cs

QwikServ - Orange



- Single-serving, powdered sports beverage concentrate
- 1.26 oz. package makes 0.5 liter when mixed with water
- Box contains 8 packets with 2 servings
- Helps replenish fluids and electrolytes

Item #	Description	Std Pkg
213-060900-OR	QwikServ Orange Yields 16.9 oz	1 cs

QwikServ - Fruit Punch



- Single-serving, powdered sports beverage concentrate
- 1.26 oz. package makes 0.5 liter when mixed with water
- Box contains 8 packets with 2 servings
- Helps replenish fluids and electrolytes

Item #	Description	Std Pkg
213-060901-FP	QwikServ Fruit Punch Yields 16.9 oz	1 cs

QwikServ - Lemon Lime



- Single-serving, powdered sports beverage concentrate
- 1.26 oz. package makes 0.5 liter when mixed with water
- Box contains 8 packets with 2 servings
- Helps replenish fluids and electrolytes

Item #	Description	Std Pkg
213-060902-LL	QwikServ Lemon-Lime Yields 16.9 oz	1 cs

QwikServ - Grape



- Single-serving, powdered sports beverage concentrate
- 1.26 oz. package makes 0.5 liter when mixed with water
- Box contains 8 packets with 2 servings
- Helps replenish fluids and electrolytes

Item #	Description	Std Pkg
213-060904-GR	QwikServ Grape Yields 16.9 oz	1 cs

Squeeze Pop - Assorted



- Isotonic electrolyte replacement freezer pop
- Frozen pops cool the body's core temperature
- Individually wrapped in a 3 oz plastic sleeve
- Contains potassium and little sodium

Item #	Description	Std Pkg
213-159200201	Squeeze Pops, Assorted Flavors (15bags/case)	1 cs

Squeeze Pop Zero



- Package contains 10 pops and 15 bags per case
- 3 oz individually wrapped in a plastic sleeve
- Isotonic electrolyte replacement freeze pop
- Squeeze ZERO Sugar Free

Item #	Description	Std Pkg
213-159200228	FP Zero Squeeze Pop (15bags/case)	1 cs

Fast Pack - Orange



- Pouch doubles as a cup
- Just add water to the mix
- No stirring required
- Electrolyte replenishment

Item #	Description	Std Pkg
213-015304-OR	6 oz Fast Pack Orange	1 cs



Fast Pack - Fruit Punch



- The pouch doubles as a cup
- Add water to the mix and you're good to go
- No stirring required
- Electrolyte replenishment

Item #	Description	Std Pkg
213-015305-FP	6 oz Fast Pack Fruit Punch	1 cs

64 oz Liquid Concentrate - Mixed Berry



- Mix 64 oz liquid concentrate with 5 gallons of water
- Mix with water to fuel the whole crew all day long
- Helps replenish fluids and electrolytes

Item #	Description	Std Pkg
213-030320-MB	64 oz Mixed Berry 5 gal Yield Liquid Concentrate	1 cs

64 oz Liquid Concentrate - Cherry



- Mix 64 oz liquid concentrate with 5 gallons of water
- Mix with water to fuel the whole crew all day long
- Helps replenish fluids and electrolytes

Item #	Description	Std Pkg
213-030321-CH	64 oz Cherry 5 gal Yield Liquid Concentrate	1 cs

64 oz Liquid Concentrate - Grape



- Mix 64 oz liquid concentrate with 5 gallons of water
- Mix with water to fuel the whole crew all day long
- Helps replenish fluids and electrolytes

Item #	Description	Std Pkg
213-030322-GR	64 oz Grape 5 gal Yield Liquid Concentrate	1 cs

64 oz Liquid Concentrate - Orange



- Mix 64 oz liquid concentrate with 5 gallons of water
- Mix with water to fuel the whole crew all day long
- Helps replenish fluids and electrolytes

Item #	Description	Std Pkg
213-030324-OR	64 oz Orange 5 gal Yield Liquid Concentrate	1 cs

64 oz Liquid Concentrate - Fruit Punch



- Mix 64 oz liquid concentrate with 5 gallons of water
- Mix with water to fuel the whole crew all day long
- Helps replenish fluids and electrolytes

Item #	Description	Std Pkg
213-030325-FP	64 oz Fruit Punch 5 gal Yield Liquid Concentrate	1 cs

64 oz Liquid Concentrate - Lemon Lime



- Mix 64 oz liquid concentrate with 5 gallons of water
- Mix with water to fuel the whole crew all day long
- Helps replenish fluids and electrolytes

Item #	Description	Std Pkg
213-030328-LL	64 oz Lemon Lime 5 gal Yield Liquid Concentrate	1 cs

64 oz Liquid Concentrate Zero - Fruit Punch



- Mix 64 oz liquid concentrate with 5 gallons of water
- Mix with water to fuel the whole crew all day long
- Helps replenish fluids and electrolytes

Item #	Description	Std Pkg
213-050102-FP	64 oz Zero Fruit Punch 5 gal Yield Concentrate	1 cs

Squincer Original - Mixed Berry



- 20 oz ready to drink
- Contains a balanced source of sodium, potassium & key electrolytes that hydrate the body

Item #	Description	Std Pkg
213-030530-MB	20 oz Mixed Berry Widemouth Bottle (24/cs)	1 cs

Squincer Original - Cool Citrus



- 20 oz ready to drink
- Contains a balanced source of sodium, potassium & key electrolytes that hydrate the body

Item #	Description	Std Pkg
213-030531-CC	20 oz Cool Citrus Widemouth Bottle (24/cs)	1 cs



Squincher Original - Grape



- 20 oz ready to drink
- Contains a balanced source of sodium, potassium & key electrolytes that hydrate the body

Item #	Description	Std Pkg
213-030532-GR	20 oz Grape Widemouth Bottles (24/cs)	1 cs

Squincher Original - Orange



- 20 oz ready to drink
- Contains a balanced source of sodium, potassium & key electrolytes that hydrate the body

Item #	Description	Std Pkg
213-030534-OR	20 oz Orange Widemouth Bottle (24/cs)	1 cs

Squincher Original - Fruit Punch



- 20 oz ready to drink
- Contains a balanced source of sodium, potassium & key electrolytes that hydrate the body

Item #	Description	Std Pkg
213-030535-FP	20 oz Fruit Punch Widemouth Bottle (24/cs)	1 cs

Squincher Original - Strawberry Lemonade



- 20 oz ready to drink
- Contains a balanced source of sodium, potassium & key electrolytes that hydrate the body

Item #	Description	Std Pkg
213-030536-SL	20 oz Strawberry Lemonade Bottle (24/cs)	1 cs

Squincher Original - Lemon Lime



- 20 oz ready to drink
- Contains a balanced source of sodium, potassium & key electrolytes that hydrate the body

Item #	Description	Std Pkg
213-030538-LL	20 oz Lemon Lime Widemouth (24/cs)	1 cs

Squincher Zero - Fruit Punch



- 20 oz ready to drink
- Contains a balanced source of sodium, potassium & key electrolytes that hydrate the body

Item #	Description	Std Pkg
213-030800-FP	20 oz Fruit Punch Zero Widemouth Bottles (24/cs)	1 cs

Squincher Zero - Orange



- 20 oz ready to drink
- Contains a balanced source of sodium, potassium & key electrolytes that hydrate the body

Item #	Description	Std Pkg
213-030801-OR	20 oz Orange Zero Widemouth Bottles (24/cs)	1 cs

Squincher Zero - Grape



- 20 oz ready to drink
- Contains a balanced source of sodium, potassium & key electrolytes that hydrate the body

Item #	Description	Std Pkg
213-030803-GR	20 oz Grape Zero Widemouthed Bottles (24/cs)	1 cs

Squincher Zero - Mixed Berry



- 20 oz ready to drink
- Contains a balanced source of sodium, potassium & key electrolytes that hydrate the body

Item #	Description	Std Pkg
213-030804-MB	20 oz Mixed Berry Zero Widemouth Bottles (24/cs)	1 cs

Qwik Stik Tube - Assorted



Item #	Description	Std Pkg
213-060119-AS	10 ct Qwik Stik Tube Assorted	1 cs



16 FATMAX Tape Measure



- 11' blade standout
- BladeArmor® coating
- Mylar® polyester film
- Tru-zero® end hook

Item #	Description	Std Pkg
046-33-716	1-1/4" x 16' Fat Max Tape w/Blade Armor	4 ea

25 FATMAX Tape Measure



- 11' blade standout
- 1-1/4" wide blade
- Top-forward blade lock
- Specially designed multi-catch hook
- High-impact ABS case & cushion grip

Item #	Description	Std Pkg
046-33-725	1-1/4" x 25' FATMAX Tape Measure - Blade Armor	1 ea

30 FATMAX Tape Measure



- 1-1/4" wide blade
- 11' blade standout
- BladeArmor® coating on the first 3"
- Tru-Zero® end hook, Top-forward blade lock
- High-impact ABS case with cushion grip

Item #	Description	Std Pkg
046-33-730	1-1/4" x 30' FATMAX Tape Measure - Blade Armor	1 ea

35 FATMAX Tape Measure



- 11' blade standout
- 1-1/4" wide blade
- Tru-zero® end hook
- High-impact ABS case

Item #	Description	Std Pkg
046-33-735	1-1/4" x 35' Fat Max Tape w/Blade Armor	4 ea

40 FATMAX Tape Measure



- 11' blade standout
- Tru-zero® end hook
- Mylar® polyester film
- BladeArmor® coating for 10X blade life

Item #	Description	Std Pkg
046-33-740L	1-1/4" x 40' FATMAX Tape Measure - Blade Armor	1 ea

25 FATMAX Tape Measure - Magnetic Tip



- 11' blade standout
- Tru-Zero® magnetic hook
- BladeArmor® Coating for 10X blade life
- Magnet holds securely onto metal surfaces
- SlideLock™ holds blade securely in position

Item #	Description	Std Pkg
046-FMHT33865L	1-1/4" x 25' FATMAX Tape Measure - Magnetic Tip	1 ea

25 Hi-Vis Tape Measure



- Tru-Zero™ hook
- High-visibility green
- Rubber cushion grip
- Polymer coated blade

Item #	Description	Std Pkg
046-30-305	1" X 25' Hi-Vis Tape Measure	1 ea

25 Fractional Read Tape Measure



- Fractional read blade
- Polymer-coated blade
- High-impact ABS case
- Corrosion-resistant Tru-zero end hook

Item #	Description	Std Pkg
046-30-454	1" X 25' Standard Yellow Tape Measure	1 ea

25 Tape Measure



- Polymer-coated blade
- High-impact ABS case
- 16" and 19.2" stud center markings
- Corrosion-resistant Tru-zero end hook

Item #	Description	Std Pkg
046-30-455	1" X 25' Economy Yellow Tape Measure	1 ea

12 Tape Measure



- Polymer-coated blade
- High-impact ABS case
- 16" and 19.2" stud center markings
- Corrosion-resistant Tru-zero end hook

Item #	Description	Std Pkg
046-30-485	1/2"x12' Economy Yellow Tape Measure	1 ea

16 Tape Measure



- Polymer-coated blade
- High-impact ABS case
- 16" and 19.2" stud center markings
- Corrosion-resistant Tru-zero end hook

Item #	Description	Std Pkg
046-30-495	3/4"x16' Economy Yellow Tape Measure	1 ea

10 PowerLock Pocket Tape Measure



- Secure blade lock
- Polymer-coated blade
- Slim case fits easily in pocket
- Chrome high-impact ABS case
- Corrosion-resistant Tru-zero end hook

Item #	Description	Std Pkg
046-33-115	1/4" x 10' PowerLock Pocket Tape Measure	1 ea



16 PowerLock Tape Measure



- Secure blade lock
- Mylar® polyester film on blade
- Chrome high-impact ABS case
- Corrosion-resistant Tru-Zero® end hook

Item #	Description	Std Pkg
046-33-116	3/4" x 16' PowerLock Tape Measure	1 ea

12 PowerLock Tape Measure - 1/2"



- Cast-metal case
- Secure blade lock
- Mylar® polyester film on blade
- Corrosion-resistant Tru-zero end hook

Item #	Description	Std Pkg
046-33-212	1/2" x 12' PowerLock Tape Measure	6 ea

12 PowerLock Tape Measure - 3.5m



- Cast-metal case
- Secure blade lock
- Mylar® polyester film on blade
- Corrosion-resistant Tru-zero end hook

Item #	Description	Std Pkg
046-33-215	3.5m x 12' PowerLock Tape Measure	6 ea

12 PowerLock Tape Measure - Engineer



- Die-cast metal case
- Two-rivet, corrosion-resistant hook
- Entire blade coated with Mylar® polyester film
- Tru-Zero hook does double-duty as a pivot for drawing circles and arcs

Item #	Description	Std Pkg
046-33-272	1/2" x 12' PowerLock Engineer Tape Measure	6 ea

12 PowerLock Tape Measure - 3/4"



- Cast-metal case
- Secure blade lock
- Corrosion-resistant Tru-zero end hook
- Entire blade is coated with Mylar® polyester film

Item #	Description	Std Pkg
046-33-312	3/4" x 12' PowerLock Tape Measure	6 ea

25 PowerLock Tape Measure



- 7' blade standout
- Secure blade lock
- Mylar® polyester film
- Chrome high-impact ABS case
- Corrosion-resistant Tru-Zero® end hook

Item #	Description	Std Pkg
046-33-425	1" x 25' PowerLock Tape Measure	4 ea

30 PowerLock Tape Measure



- 7' blade standout
- Secure blade lock
- Mylar® polyester film
- Chrome high-impact ABS case
- Corrosion-resistant Tru-Zero® end hook

Item #	Description	Std Pkg
046-33-430	1" x 30' PowerLock Tape Measure	4 ea

35 PowerLock Tape Measure



- 7' blade standout
- Secure blade lock
- Tru-Zero® end hook
- Mylar® polyester film
- Chrome high-impact ABS case

Item #	Description	Std Pkg
046-33-835	1" x 35' PowerLock Tape Measure	4 ea

25 PowerLock Tape Measure - BladeArmor



- 8' blade standout
- Mylar® polyester film
- BladeArmor™ coating on the first 3"
- Three-rivet, corrosion-resistant Tru-zero end hook

Item #	Description	Std Pkg
046-33-525	1" x 25' PowerLock Tape Measure - Blade Armor	4 ea

25 LeverLock Tape Measure - Magnetic Tip



- Magnetic end hook
- Wear resistant blade markings
- Write-on label for repeated use with carpenter pencil
- Blade locks automatically- Squeeze bottom lever to retract blade

Item #	Description	Std Pkg
046-STHT33270	1" x 25' Leverlok Tape Measure - Magnetic Tip	8 ea

25 LeverLock Tape Measure



- Write-On label
- 7' Blade standout
- Automatic blade lock
- Non-Marring frictionless base
- 1.5X stronger anti-glare blade

Item #	Description	Std Pkg
046-STHT33281L	1" x 25' LeverLock Tape Measure	14 ea

Long Open Reel Tape



- 1/2" wide blade with easy-to-read markings
- 2-sided blade graphics with fractional inch/decimal scales
- Folding end hook for accurate measurements
- Polymer coated blade

Item #	Description	Std Pkg
046-34-790	1/2" x 100' Fiberglass Long Open Reel Tape	6 ea



Magnetic Torpedo Level



- Vials provide accuracy of 0.002 in/in
- Center top read vial for improved visibility
- Magnetic strip for hands free operation on metal
- Pipe groove for use on rounded surfaces

Item #	Description	Std Pkg
046-42-264	9" Magnetic Torpedo Level	6 ea

24" Pro I-Beam Level



- Vials provide accuracy of 0.0015 in/in
- Pipe groove for use on rounded surfaces
- Heavy-duty aluminum I-beam construction

Item #	Description	Std Pkg
046-42-324	24" Pro I- Beam Level	6 ea

48" Pro I-Beam Level



- Vials provide accuracy of 0.0015 in/in
- Pipe groove for use on rounded surfaces
- Heavy-duty aluminum I-beam construction

Item #	Description	Std Pkg
046-42-480	48" I-Beam Pro-level	3 ea

24" Magnetic L-Beam Level



- Large 12mm tubular vials for accuracy of 0.001 in/in
- Continuous edge to scribe and score lines
- Shock absorbing end caps

Item #	Description	Std Pkg
046-STHT42411	24" Magnetic L-Beam Level	3 ea

12" Combination Square



- Easy-to-read vial
- Black die-cast metal handle
- Embossed hard-chrome blade
- Built-in scriber for surface marking

Item #	Description	Std Pkg
046-46-222	12" Combination Square Rust	4 ea

6 pc Screwdriver Set



- Color coded handles
- Heat-treated allow steel bars
- Ergonomically quad-lobe handles
- Nickel plated bars help resist corrosion
- Storage rack included

Item #	Description	Std Pkg
046-60-060	6pc STD Fluted Screwdriver Set	1 ea

10 pc Screwdriver Set



- Color coded handles
- Heat-treated allow steel bars
- Ergonomically quad-lobe handles
- Nickel plated bars help resist corrosion
- Storage rack included

Item #	Description	Std Pkg
046-60-100	10pc STD Fluted Screwdriver Set	1 ea

8 pc 100 Plus Screwdriver Set



- 100% acetate handle
- Black oxide Phillips® tips
- Durable alloy steel blade
- Precision-ground tip
- Chrome-plated to resist corrosion

Item #	Description	Std Pkg
046-66-158A	8pc 100 Plus Screwdriver Set	1 ea

6 pc Vinyl Grip Screwdriver Set



- Vinyl grip handle
- Durable alloy steel blade
- Precision-formed tips
- Chrome-plated bars for corrosion resistance
- Black oxide tips for use in electrical applications

Item #	Description	Std Pkg
046-66-565	6pc Contract Screwdriver Set	6 ea

1/8" x 2" Pocket Screwdriver



- Practical for light work
- Pocket clip keeps tool handy

Item #	Description	Std Pkg
046-66-101	1/8" x 2" Pocket Screwdriver	12 ea



3/32" x 3" Pocket Screwdriver



- Practical for light work
- Pocket clip keeps tool handy

Item #	Description	Std Pkg
046-66-102	3/32" x 3" Pocket Screwdriver	6 ea

4 pc Hook & Pick Set



- Stainless steel bars for corrosion resistance
- Ideal for pulling and marking in confined spaces
- Includes: Full hook, angle hook, 90° angle hook and straight pick

Item #	Description	Std Pkg
046-82-115	4 pc Hook & Pick Set w/plastic Grips	4 ea

170 pc Mechanics Tool Set



- (16) 1/4" Sockets – 6Pt
- (12) 1/4" Deep Sockets – 6Pt
- (18) 3/8" Dr. Sockets – 6Pt
- (6) 3/8" Dr. Deep Sockets – 6Pt
- (10) 12" Dr. Sockets – 6Pt
- 1/4", 3/8" & 1/2" Dr. Pear Head Ratchet, 8 Combination Wrenches, 1/4" Dr. Bit Holder, 55 Specialty Bits, 26 Hex Keys, 12 Nut Bits, 3/8" Dr. Spark Plug Sockets: 5/8", 1/4" & 3/8" Dr. Extension Bar – 3"

Item #	Description	Std Pkg
046-96-011	170 pc Mechanics Socket & Tool Set	2 ea

150 pc Mechanics Tool Set



- (21) 1/4" Dr. Sockets - 6 pt
- (16) 3/8" Dr. Sockets - 12 pt
- (10) 3/8" Dr. Deep Sockets - 6 pt
- 1/4" Dr. Extension Bar - 3", 3/8" Dr. Extension Bars - 3", 6", 1/4" & 3/8" Dr. Pear Head Ratchet, (2) 3/8" Dr. Spark Plug Sockets - 5/8, 13/16, 3/8" Dr. M to 1/4" Dr. F Adapter, Long Nose Pliers, Slip Joint Pliers, Phillips & Flat Head Screw Driver, (14) Combination Wrenches, (18) Hex Keys

Item #	Description	Std Pkg
046-97-543	150 pc Mechanics Socket & Tool Set	2 ea

201 pc Mechanics Tool Set



- (10) 1/4" Drive Sockets – 6 pt SAE
- (13) 1/4" Drive Sockets – 6 pt mm
- (10) 1/4" Drive Deep Sockets – 6 pt SAE
- (11) 1/4" Drive Deep Sockets – 6pt mm
- (9) 3/8" Drive Sockets – 6 pt SAE
- (14) 3/8" Drive Sockets – 6 pt mm
- (5) 3/8" Drive Deep Sockets – 6 pt SAE
- (3) 3/8" Drive Deep Sockets – 6 pt mm
- (6) 1/2" Drive Sockets – 6 pt SAE
- (8) 1/2" Drive Sockets – 6 pt mm
- 3/8" Drive Spark Plug Socket – 6 pt SAE, 1/4", 3/8" & 1/2" Dr. Pear Head Ratchet-Quick Release, 1/4" Drive F X 3/8"M Adapter, 3/8" Drive F X 1/4"M Adapter, 3/8" Drive F X 1/4"M Adapter, (4) Combo SAE Wrenches, (4) Combo mm Wrenches, (28) Hex Keys, (12) Nut Bits, (55) Bits

Item #	Description	Std Pkg
046-STMT71654	201 pc Mechanics Tool & Socket Set	2 ea

20 pc SAE Socket Set



- Handle is ergonomically designed
- Sockets remain locked onto the drive until disengaged with quick-release button
- Max-Drive™ design provides 15% more torque to tighten fasteners

Item #	Description	Std Pkg
046-85-404	20 pc 3/8" Dr Std Deep 12pt SAE Socket Set	4 ea

17 pc SAE Socket Set



- Handle is ergonomically designed
- Sockets remain locked onto the drive until disengaged with quick-release button
- Max-Drive™ design provides 15% more torque to tighten fasteners

Item #	Description	Std Pkg
046-85-425	17 pc 1/2" Dr Std Deep SAE 12pt Socket Set	4 ea

26 pc SAE Socket Set



- Handle is ergonomically designed
- Sockets remain locked onto the drive until disengaged with quick-release button
- Max-Drive™ design provides 15% more torque to tighten fasteners

Item #	Description	Std Pkg
046-85-434	26 pc 1/2" Dr 6pt 12pt SAE Socket Set	4 ea



11 pc Deep Impact Socket Set - SAE



- **Sizes:** 3/8", 7/16", 9/16", 5/8", 11/16", 13/16", 7/8", 15/16"

Item #	Description	Std Pkg
046-97-125	3/8" Dr Deep Impact SAE Socket Set 6pt	1 ea

11 pc Deep Impact Socket Set - Metric



- **Sizes:** 10mm, 11mm, 12mm, 13mm, 14mm, 16mm, 21mm, 22mm

Item #	Description	Std Pkg
046-97-126	1/2" Dr Deep Impact Met Socket Set 6pt	1 ea

11 pc Combo Wrench Set



- Allows 15% more torque to be applied
- Max-Drive™ system allows the box end to contact the fastener away from the corner

Item #	Description	Std Pkg
046-85-450	11 pc Combo Wrench Set 3/8-1" SAE 12pt	6 ea

14 pc Combo Wrench Set



- Allows 15% more torque to be applied
- Max-Drive™ system allows the box end to contact the fastener away from the corner

Item #	Description	Std Pkg
046-85-990	14 pc Combo Wrench Set 3/8-1-1/4" SAE 12pt	4 ea

6" Retractable Utility Knife



- Blade storage in handle
- (3) Heavy Duty utility blades
- Three-position retractable blade

Item #	Description	Std Pkg
046-10-099	#99 Utility Knife Retractable Bld Classic	6 ea

Self Retracting Safety Knife



- Includes one blade
- Durable, smooth steel barrel
- Spring activated self retracting blade

Item #	Description	Std Pkg
046-STHT10193	6-1/2" Self Retracting Safety Knife	4 ea

Retractable Utility Knife



- Integrated string cutter
- Three-position retractable blade
- Swing-out blade storage magazine
- Change blades quickly - no screwdriver required

Item #	Description	Std Pkg
046-10-499	6-3/8" Quick Change Retractable Utility Knife	6 ea

Folding Fixed Utility Knife



- Aluminum design
- One-handed open/close
- Tool-free blade changes
- Stainless-steel belt clip for convenience
- Accepts standard utility and hook blades

Item #	Description	Std Pkg
046-10-855	6" Folding Utility Knife Quick Change w/Clip	4 ea

6-1/2in Folding Knife



- Durable nylon handle
- QuickChange™ blade mechanism
- One-hand opening operation
- Folds into convenient carrying size
- Belt clip for easy carrying

Item #	Description	Std Pkg
046-STHT10169	6" Folding Utility Knife w/Clip	6 ea

100 pk FATMAX Blade



- 100 pk
- Induction-hardened edge
- Heat treated blades

Item #	Description	Std Pkg
046-11-700A	Fat Max HD Knife Blade w/Dispenser	4 ea

100 pk Heavy Duty Utility Blades



- Precision-honed edge
- Fits most standard utility knives
- Engineered for general-purpose cutting

Item #	Description	Std Pkg
046-11-921A	100 pk Heavy Duty Utility Knife Blades	4 ea

11.5 lb Dead Blow Sledge Hammer



- Urethane covering helps reduce noise pollution
- Flat area on head allows upright storage
- Non-sparking, soft-face sledgehammers
- Reinforced steel handle

Item #	Description	Std Pkg
046-57-554	11.5 lb Dead Blow Sledge Hammer	2 ea



16 oz Claw Hammer



- Fiberglass core adds strength and durability in the handle
- Ergonomic comfort grip features a ribbed surface
- Forged High-Carbon Steel Head

Item #	Description	Std Pkg
046-STHT51512	16 oz Yellow Jacket Hammer Fiberglass Handle HD	4 ea

16 oz Ball Pein Hammer



- Ideal for striking chisels and punches or riveting, shaping and bending metal
- Hickory handle for durability
- Polished face and pein

Item #	Description	Std Pkg
046-54-016	16 oz Ball Pein Hammer Wood Handle	6 ea

26" Sharptooth Fine Finish Saw



- Induction-hardened teeth stay sharp up to 5X longer than standard teeth
- Cuts 50% faster than conventional STANLEY® Hand Saws
- Hardwood handle provides comfort and control

Item #	Description	Std Pkg
046-20-065	26" Sharptooth Fine Finish Hand Saw	2 ea

23" FATMAX Structural Foam Tool Box



- Water resistant
- Portable half tray allows room for storage
- V-groove with ruler on top of lid holds materials

Item #	Description	Std Pkg
046-023001W	Fat Max 23" Structural Foam Tool Box	1 ea



500 Braided Line & Reel - Pink



- 1/2 lb spools
- Tensile strength of 165 lbs
- Durable polyethylene handle
- Quality #18 Braided Nylon line
- Quickly change out rolls with pull-apart handle design
- Hand rewind or auto-rewind using a power screwdriver

Item #	Description	Std Pkg
204-25462	500' Braided Line & Reel - Pink	48 ea



I-Beam Mag Level



- Top read vial
- V-Grooved edge
- Oversized Vial Port
- Screwed tight vial covers
- Heavy duty rubber end caps
- Magnetic-Full length strip magnet

Item #	Description	Std Pkg
095-IBL24M	24" I-Beam Magnetic Level	3 ea
095-IBL48M	48" I-Beam Magnetic Level	3 ea

Aluminum Line Level



- 4" line level
- High-grade aluminum frame
- Snag-free open hooks allow level to slide freely

Item #	Description	Std Pkg
095-LLA001	4" Aluminum Line Level	12 ea

Torpedo Level Magnetic Level



- Full-length strip magnet
- High grade solid aluminum frame
- High-impact composite inserts
- Easy to read vial windows

Item #	Description	Std Pkg
095-TL001M	9" Magnetic Torpedo Level Aluminum	10 ea

Speedlite Torpedo Level Magnetic Level



- Top read feature
- Rubber end caps
- Full-length strip magnet
- Acrylic high visibility vials
- Impact-resistant composite body

Item #	Description	Std Pkg
095-TL021M	9" Mag Torpedo Level w/RB End Cap	6 ea

Lil Savage Torpedo Magnetic Level



- Solid billet aluminum alloy
- Tri-loc® conduit clamp
- 4 strong neodymium magnets
- Brightview® milled vial ports
- Durable acrylic vials
- 4 leveling vials

Item #	Description	Std Pkg
095-TL041M	6" Lil Savage Magnetic Torpedo Level	6 ea



Savage Torpedo Magnetic Level



- 4 strong neodymium magnets
- Brightview® milled vial ports
- Solid billet aluminum alloy
- Durable acrylic vials
- 4 leveling vials

Item #	Description	Std Pkg
095-TL043M	9" Savage Magnetic Torpedo Level	6 ea

Top Read Aluminum Level



- Shock resistant rubber end caps
- Ruled edge (cm and in)
- Top Read Vial
- V-grooved

Item #	Description	Std Pkg
095-TRL240	24" Top Read Aluminum Level	3 ea
095-TRL480	48" Top Read Aluminum Level	6 ea

Speed Square



5 TOOLS IN ONE:

- 1 Try Square, 2 Miter Square, 3 Saw Guide, 4 Line Scriber, 5 Protractor
- Anti-glare matte finish
- 1/4" spaced notches
- Aluminum alloy

Item #	Description	Std Pkg
095-S0101	7" Speed Square	5 ea

Big 12 Speed Square



7 TOOLS IN ONE:

- 1 Try Square, 2 Miter Square, 3 Saw Guide, 4 Laser Guide, 5 Protractor, 6 Out of Square Corners, 7 Line Scriber
- Heavy gauge aluminum
- 1/4" and 1/2" spaced notches

Item #	Description	Std Pkg
095-S0107	12" "Big 12" Speed Square-7 in 1 Tool	1 ea

Combination Square



- Stainless steel blades
- Screw fit brass scribe
- Spring loaded, brass bolt
- Impact resistant acrylic vial
- 1/8", 1/16", 1/32", and mm scale gradations

Item #	Description	Std Pkg
095-TC132	12" Combination Square	6 ea

Pro Combination Square



- Stainless steel blades
- Screw fit brass scribe
- Spring loaded, brass bolt
- Impact resistant acrylic vial
- 1/8", 1/16", 1/32", and mm scale gradations

Item #	Description	Std Pkg
095-TC134	16" Combo Square	6 ea

Steel Utility Square



- Acid wash for anti-glare matte finish
- Permanently impressed gradations
- Nickel Plated, resists rust
- High-grade steel

Item #	Description	Std Pkg
095-TS153	8" x 12" Utility Square Steel	12 ea

Steel Carpenter Square



- Acid wash for anti-glare matte finish
- Permanently impressed gradations
- High-grade tempered steel
- Nickel Plated, resists rust
- Reverse-reading scale

Item #	Description	Std Pkg
095-TS157	16" x 24" Steel Carpenter Square	6 ea

Magnetic Angle Finder



- High-grade composite construction
- Determine any angle quickly
- Block magnetic base
- V-Grooved edge

Item #	Description	Std Pkg
095-AF006M	Magnetic Angle Finder	6 ea



Gate Faucet



- Padlockable
- Cast iron body
- 45°-60° discharge
- For dispensing heavy oils and light grease

Item #	Description	Std Pkg
180-V0071075	3/4" Standard Gate Valve	12 ea
180-V0072100	1" Cast Iron Oil Gate Valve	6 ea
180-V0073125	1-1/4" Standard Gate Valve	6 ea
180-V0075200	2" Standard Gate Valve	6 ea

TEKTON.

3/4" Socket Set



- 16 pc 6pt standard sockets 7/8-2"
- 2 Extensions & 1 molded case
- 1 Ratchet, 1 break-over bar

Item #	Description	Std Pkg
216-1115	3/4" Drive Socket Set SAE	2 ea

10 pc Deep Impact Set



- 9pc 6pt Deep impact sockets 1" to 2"
- 1 Red metal storage box

Item #	Description	Std Pkg
216-4892	10 pc 1" Drive Deep Impact Socket Set SAE	2 ea

45 pc Tap & Die Set



- 20-pc. 1/4" to 1" Taps
- 20-pc. 1/4" to 1" Split dies
- 1-pc. 2" T-handle die stock
- 1-pc. 1-1/2" Die stock adapter
- 1-pc. 1/4" T-handle tap wrench
- 1-pc. 1/4" - 1" T-handle tap wrench
- 1-pc. Screwdriver

Item #	Description	Std Pkg
216-7560	45 pc Tap Die Set 1/4" to 1"	3 ea



Hickory Sledge Hammer Handle



- Ergonomically handles
- Hickory is a natural shock absorber
- Hickory handles are easily replaced
- Dipped lacquer finish or smooth tumbled wax
- Made in USA

Item #	Description	Std Pkg
013-2124-8	24" Sledge Hickory Handle, 6# to 16# Hammers	12 ea
013-2130-8	30" Sledge Hickory Handle, 6# to 16# Hammers	12 ea
013-2132-8	32" Sledge Hickory Handle, 6# to 16# Hammers	12 ea
013-2136-8	36" Sledge Hickory Handle, 6# to 16# Hammers	12 ea
013-2636-8	36" Extra Heavy Sledge Hickory Hammer Handle	12 ea

Hickory Blacksmith Hammer Handle



- Ergonomically handles
- Hickory is a natural shock absorber
- Hickory handles are easily replaced
- Dipped lacquer finish or smooth tumbled wax
- Made in USA

Item #	Description	Std Pkg
013-7414-8	14" Blacksmith Hickory Hammer Handle	12 ea
013-7416-8	16" Blacksmith Hickory Hammer Handle	12 ea
013-7418-8	18" Blacksmith Hickory Hammer Handle	12 ea

Hickory Heavy Blacksmith Hammer Handle



- Ergonomically handles
- Hickory is a natural shock absorber
- Hickory handles are easily replaced
- Dipped lacquer finish or smooth tumbled wax
- Made in USA

Item #	Description	Std Pkg
013-7314-8	14" Heavy Blacksmith Hickory Hammer Handle	12 ea
013-7316-8	16" Heavy Blacksmith Hickory Hammer Handle	12 ea
013-7318-8	18" Engineer Hickory Hammer Handle	12 ea

Machinist Ball Pein Hickory Handle



- Ergonomically handles
- Hickory is a natural shock absorber
- Hickory handles are easily replaced
- Dipped lacquer finish or smooth tumbled wax
- Made in USA

Item #	Description	Std Pkg
013-7212-8	12" Machinist's Ball Pein Hickory Hammer Handle	12 ea
013-7214-8	14" Machinist's Ball Pein Hickory Hammer Handle	12 ea
013-7216-8	16" Machinist's Ball Pein Hickory Hammer Handle	12 ea
013-7218-8	18" Machinist's Ball Pein Hickory Hammer Handle	12 ea

Nail / Claw Hammer Hickory Handle



- Ergonomically handles
- Hickory is a natural shock absorber
- Hickory handles are easily replaced
- Dipped lacquer finish or smooth tumbled wax
- Made in USA

Item #	Description	Std Pkg
013-7114-8	14" Nail/Claw Handle for 7 oz. to 28 oz. Hammers	12 ea
013-7116-8	16" Nail/Claw Handle for 7 oz. to 28 oz. Hammers	12 ea

TENNESSEE Hickory Handles

Napping Hammer Hickory Handle



- Ergonomically handles
- Hickory is a natural shock absorber
- Hickory handles are easily replaced
- Dipped lacquer finish or smooth tumbled wax
- Made in USA

Item #	Description	Std Pkg
013-2336-8	36" Napping Handle	12 ea

Drilling Hammer Hickory Handle



- Ergonomically handles
- Hickory is a natural shock absorber
- Hickory handles are easily replaced
- Dipped lacquer finish or smooth tumbled wax
- Made in USA

Item #	Description	Std Pkg
013-7712-8	12" Drill Hammer Handle	12 ea

Rig Builder Hatchet Hickory Handle



- Ergonomically handles
- Hickory is a natural shock absorber
- Hickory handles are easily replaced
- Dipped lacquer finish or smooth tumbled wax
- Made in USA

Item #	Description	Std Pkg
013-10418-8	18" Rig Builders Hatchet Hickory Handle	12 ea

Single Bit Axe Hickory Handle



- Ergonomically handles
- Hickory is a natural shock absorber
- Hickory handles are easily replaced
- Dipped lacquer finish or smooth tumbled wax
- Made in USA

Item #	Description	Std Pkg
013-1136-8	36" Single Bit Axe Hickory Handle	12 ea

Double Bit Axe Hickory Handle



- Ergonomically handles
- Hickory is a natural shock absorber
- Hickory handles are easily replaced
- Dipped lacquer finish or smooth tumbled wax
- Made in USA

Item #	Description	Std Pkg
013-1536-8	36" Double Bit Axe Hickory Handle	12 ea

Hickory Pick/Mattock Handle



- Ergonomically handles
- Hickory is a natural shock absorber
- Hickory handles are easily replaced
- Dipped lacquer finish or smooth tumbled wax
- Made in USA

Item #	Description	Std Pkg
013-3136-8	36" Pick/Mattock Hickory Hammer Handle, #6 Eye	12 ea

Hollowback Shovel White Ash Handle



- Length: 48"
- Dia: 1-1/2"
- Chuck Length: 6-1/2"
- White Ash handles
- Round & Square Point
- Straight with Shoulder & Saw Slot

Item #	Description	Std Pkg
013-APS-4	48" Straight Hollowback Handle	6 ea

Closed Back Shovel White Ash Handle



- Length: 48"
- Dia: 1-1/2"
- Chuck Length: 11-1/2"
- White Ash handles
- Round & Square Point
- Straight Bend - No Shoulder

Item #	Description	Std Pkg
013-FS-40	48" Handle Closed and Hollow Back	12 ea

D Handle Shovel Hickory Handle



- Ergonomically handles
- Hickory is a natural shock absorber
- Hickory handles are easily replaced
- Dipped lacquer finish or smooth tumbled wax
- Made in USA

Item #	Description	Std Pkg
013-2SH30R	30" D Handle Shovel Hickory	12 ea

Solid Shank Shovel Hickory Handle



- Ergonomically handles
- Hickory is a natural shock absorber
- Hickory handles are easily replaced
- Dipped lacquer finish or smooth tumbled wax
- Made in USA

Item #	Description	Std Pkg
013-TK4	48" Solid Shank Replacement Hickory Handle	12 ea

TENNESSEE Hickory Handles

Shank Pattern Hickory Rake Handle



- Ergonomically handles
- Hickory is a natural shock absorber
- Hickory handles are easily replaced
- Dipped lacquer finish or smooth tumbled wax
- Made in USA

Item #	Description	Std Pkg
013-H50	60" Rake Handle	12 ea

Socket Pattern Hickory Hoe Handle



- Ergonomically handles
- Hickory is a natural shock absorber
- Hickory handles are easily replaced
- Dipped lacquer finish or smooth tumbled wax
- Made in USA

Item #	Description	Std Pkg
013-I50	60" Replacement Hoe Handle	6 ea

Eye Hoe Hickory Handle



- Ergonomically handles
- Hickory is a natural shock absorber
- Hickory handles are easily replaced
- Dipped lacquer finish or smooth tumbled wax
- Made in USA

Item #	Description	Std Pkg
013-N50-8	60" X 1-3/4" Eye Hoe Handle	6 ea

Round Post Hole Digger Hickory Handle



- Ergonomically handles
- Hickory is a natural shock absorber
- Hickory handles are easily replaced
- Dipped lacquer finish or smooth tumbled wax
- Made in USA

Item #	Description	Std Pkg
013-2RD-4	Round Post Hole Digger Handle	6 ea

Square Post Hole Digger Hickory Handle



- Ergonomically handles
- Hickory is a natural shock absorber
- Hickory handles are easily replaced
- Dipped lacquer finish or smooth tumbled wax
- Made in USA

Item #	Description	Std Pkg
013-2SD-4	Square Post Hole Digger Handle	6 ea
013-SD4	Post Hole Handle Square	6 ea

Wheelbarrow Hickory Handles



- Ergonomically handles
- Hickory is a natural shock absorber
- Hickory handles are easily replaced
- Dipped lacquer finish or smooth tumbled wax
- Made in USA

Item #	Description	Std Pkg
013-WH-5	5' 1-9/16" x 1-13/16" Handle w/Wedge	1 ea

Hammer Wedge - Steel



- Steel Wedge

Item #	Description	Std Pkg
013-3SW	Wedges No.3 Steel Hammer	Bulk
013-4SW	Wedges No.4 Steel Sledge	Bulk

Hammer Wedge - Wood



- Wood Wedge

Item #	Description	Std Pkg
013-21WW	Wedges Hardwood Sledge Hammers	Bulk
013-71WW	Wedges Hardwood Hammer	Bulk

Hammer Wedge Pack



- Steel and Wood Wedge Pack

Item #	Description	Std Pkg
013-21WP	Wedge Packet for Sledge Hammers	Bulk
013-71WP	Wedge Packet for Hammer	Bulk



Duct Tape



- 2" X 60 yds
- Color: Silver
- Easy hand-tearability
- Unique cloth structure
- Aggressive rubber adhesive

Item #	Description	Std Pkg
074-64613	7.5 mil 2" x 60 yds Silver Duct Tape	24 ea
074-64662	9 mil 2" x 60 yds Silver Duct Tape	24 ea
074-64663	12 mil 2" x 60 yds Silver Duct Tape	24 ea



Disinfectant Toilet Bowl Cleaner



- Removes rust, lime, and hard-water build-up
- Cleans what you can see as well as what you can't
- Is safe on plumbing and septic tanks

Item #	Description	Std Pkg
232-WK-33317	24oz Disinfectant Toilet Bowl Cleaner	12 ea



864 Drivers Gloves



- Top grain gold deerskin
- Double stitching on forefinger
- Keystone thumb
- Unlined

Item #	Description	Std Pkg
096-864L	Large - Gold Grain Deerskin	6 pr
096-864M	Medium - Gold Grain Deerskin	6 pr
096-864XL	Extra Large - Gold Grain Deerskin	6 pr

1414 Drivers Gloves



- "B" grade top grain cowhide palm
- Split leather back
- Double stitching on forefinger
- Keystone thumb

Item #	Description	Std Pkg
096-14142X	2Extra Large - Top Grain Cowhide Palm	12 pr
096-1414L	Large - Top Grain Cowhide Palm	12 pr
096-1414M	Medium - Top Grain Cowhide Palm	12 pr
096-1414S	Small - Top Grain Cowhide Palm	12 pr
096-1414XL	Extra Large - Top Grain Cowhide Palm	12 pr
096-1414XS	Extra Small - Top Grain Cowhide Palm	12 pr

1415 Drivers Gloves



- Unlined
- Keystone thumb
- Top grain goatskin
- Excellent abrasion resistance and tensile strength

Item #	Description	Std Pkg
096-1415L	Large - Goatskin Keystone	12 pr
096-1415M	Medium - Goatskin Keystone	12 pr
096-1415XL	Extra Large - Goatskin Keystone	12 pr



1420 Drivers Gloves

- A-grade top grain cowhide
- Double stitching on forefinger
- Straight thumb

Item #	Description	Std Pkg
096-1420L	Large - Top Grain Cowhide String Thumb	12 pr
096-1420M	Medium - Top Grain Cowhide String Thumb	12 pr
096-1420XL	Extra Large - Top Grain Cowhide String Thumb	12 pr



1421 Drivers Gloves

- Top grain cowhide
- Keystone thumb
- Double stitching on forefinger
- Pull strap adjuster included

Item #	Description	Std Pkg
096-1421L	Large - Top Grain Cowhide w/Pull Strap	12 pr
096-1421M	Med - Top Grain Cowhide w/Pull Strap	12 pr
096-1421XL	Extra Large - Top Grain Cowhide w/Pull Strap	12 pr



1464 Drivers Gloves

- Top grain cowhide palm
- Added split leather palm
- Palm, thumb and rolover index finger sewn with Kevlar® thread
- Index finger and thumb reinforcement
- Elastic wrist

Item #	Description	Std Pkg
096-1464L	Large - Double Palm Cowhide	12 pr
096-1464M	Medium - Double Palm Cowhide	12 pr
096-1464S	Small - Double Palm Cowhide	12 pr
096-1464XL	Extra Large - Double Palm Cowhide	12 pr



1400 Drivers Gloves

- Shoulder split cowhide
- Double stitching on forefinger
- Keystone thumb

Item #	Description	Std Pkg
096-1400L	Large - Pearl Cowhide Split Keystone Thumb	12 pr
096-1400M	Medium - Pearl Split Cowhide Keystone Thumb	12 pr



1490 TrueFit Gloves

- Nylon spandex
- Contoured shape
- Additional padded palm
- Breathable finger design

Item #	Description	Std Pkg
096-1490L	Large - Gold Goatskin Palm Spandex Back	12 pr
096-1490M	Medium - Gold Goatskin Palm Spandex Back	12 pr
096-1490XL	Extra Large - Gold Goatskin Palm Spandex Back	12 pr



1495 TrueFit Gloves



- Clute cut design
- Longer elastic cuff
- Additional padded palm
- Double reinforced fingertips
- 40 gram Thinsulate™ winter lining

Item #	Description	Std Pkg
096-1495L	Large - Goatskin Pearl/Gold w/Thinsulate Lining	12 pr
096-1495M	Medium - Pearl/Gold w/Thinsulate Winter Lining	12 pr
096-1495XL	Extra Large - Pearl/Gold w/Thinsulate Lining	12 pr

1470 TrueFit Gloves



- Top grain Goatskin
- Leather and spandex design
- Rough side out double palm
- Smooth surface fingers
- Reinforced thumb
- Elastic cuff

Item #	Description	Std Pkg
096-14702X	2Extra Large - Pearl Goatskin Palm Spandex Back	12 pr
096-1470L	Large - Pearl Goatskin Palm Spandex Back	12 pr
096-1470M	Medium - Pearl Goatskin Palm Spandex Back	12 pr
096-1470XL	Extra Large - Pearl Goatskin Palm Spandex Back	12 pr

TrueFit Welding Gloves



- Top grain goatskin palm and back
- Safe to TIG weld. No spandex
- Entirely Kevlar sewn for strength
- Internal elastic for a secure fit
- Super "V" thumb design enhances fit

Item #	Description	Std Pkg
096-1488XL	TrueFit Welding Gloves Goatskin F/TIG Welding	12 pr

TIG Welders Gloves



- Top grain goatskin for improved dexterity
- Glide patch protects side of glove
- Reinforced thumb
- Straight thumb for best gun grip
- Kevlar sewn for added seam strength
- 4" cuff

Item #	Description	Std Pkg
096-1338L	4"Cuff Pearl Goat Skin TIG Welders Glove	12 pr

30 TIG Welders Gloves



- Top grain pearl pigskin
- Lock stitching with Kevlar® thread
- Straight thumb
- 4" cuff

Item #	Description	Std Pkg
096-30L	Large - 4" Cuff Pigskin	6 pr
096-30M	Medium - 4" Cuff Pigskin	6 pr
096-30XL	Extra Large - 4" Cuff Pigskin	6 pr

24C TIG Welders Gloves



- Premium Top grain pearl Kidskin leather
- Lock stitching with Kevlar® thread
- 4" cuff, Unlined
- Straight thumb

Item #	Description	Std Pkg
096-24CL	Large - 4" Cuff Kidskin	6 pr
096-24CM	Medium - 4" Cuff Kidskin	6 pr
096-24CS	Small - 4" Cuff Kidskin	6 pr
096-24CXL	Extra Large - 4" Cuff Kidskin	6 pr

32 MIG Welders Gloves



- Heavy duty gold top grain pigskin
- Lock stitching with Kevlar® thread
- 4" cuff, unlined
- Straight thumb

Item #	Description	Std Pkg
096-32L	Large - 4" Cuff Pigskin	6 pr
096-32XL	Extra Large - 4" Cuff Pigskin	6 pr

35 MIG Welders Gloves



- Heavyweight reverse golden deerskin
- Straight thumb with reinforcement strap
- Lock stitching with Kevlar® thread
- Cotton/foam lined back
- 4" cuff, unlined palm

Item #	Description	Std Pkg
096-35L	Large - 4" Cuff Deerskin/Lined Back	6 pr
096-35M	Medium - 4" Cuff Deerskin/Lined Back	6 pr
096-35XL	Extra Large - 4" Cuff Deerskin/Lined Back	6 pr

42 MIG Welders Gloves



- Heavyweight top grain pigskin
- Lock stitching with Kevlar® thread
- Cotton/foam lined back
- Unlined palm
- Straight thumb with reinforcement strap

Item #	Description	Std Pkg
096-42L	Large - 4" Cuff Top Grain Pigskin Foam Lined	6 pr
096-42M	Medium - 4" Cuff Top Grain Pigskin Foam Lined	6 pr
096-42XL	Extra Large - 4" Cuff Top Grain Pigskin Foam Lined	6 pr

50 MIG Welders Gloves



- Top grain cowhide palm with cowhide split reinforcements
- Seamless top grain index finger
- Cowhide split back with elastic
- Sewn with Kevlar thread
- Fleece lined

Item #	Description	Std Pkg
096-50L	Large - 4" Cuff Lined/Grain Split Back	6 pr
096-50M	Medium - 4" Cuff Lined/Grain Split Back	6 pr
096-50XL	Extra Large - 4" Cuff Lined/Grain Split Back	6 pr



1350 MIG Welders Gloves



- Top grain cowhide
- Kelvar® stitching
- Wing thumb
- Seamless forefinger
- Unlined to maximize dexterity

Item #	Description	Std Pkg
096-1350L	Large - 4" Cuff Brown Cowhide Unlined	12 pr
096-1350M	Medium - 4" Cuff Brown Cowhide Unlined	12 pr
096-1350S	Small - 4" Cuff Brown Cowhide Unlined	12 pr
096-1350XL	Extra Large - 4" Cuff Brown Cowhide Unlined	12 pr

750 Stick Welders Gloves



- Pearl premium elkskin
- Cotton/foam lined back
- Reinforced thumb
- Unlined palm
- Durable welted fingers protect stitching
- Durable lock stitching with kevlar® thread

Item #	Description	Std Pkg
096-750L	Large - 14" Pearl Elk Top Grain	6 pr
096-750M	Medium - 14" Pearl Elk Top Grain	6 pr
096-750S	Small - 14" Pearl Elk Top Grain	6 pr
096-750XL	Extra Large - 14" Pearl Elk Top Grain	6 pr

650 Stick Welders Gloves



- Top grain cowhide
- Reinforced thumb
- Cotton/foam lined back
- Unlined palm
- A Lock stitching with Kevlar® thread
- Durable welted fingers protect stitching

Item #	Description	Std Pkg
096-650L	Large - 14" Pearl Top Grain Cowhide	6 pr
096-650M	Medium - 14" Pearl Top Grain Cowhide	6 pr
096-650XL	Extra Large - 14" Pearl Top Grain Cowhide	6 pr

1000 Stick Welders Gloves



- Standard shoulder split cowhide
- Cotton lined for comfort
- Sewn with cotton thread

Item #	Description	Std Pkg
096-1000	Large - 14" Pearl Shoulder Split Cowhide	12 pr

14" Welders Gloves



- 14" overall length
- Cotton/foam lined
- Resistant to oil and water
- Rugged reverse grain Pigskin
- Durable Lock stitching with Kevlar® thread

Item #	Description	Std Pkg
096-495L	14" Welders Gloves Cotton Lined Brn Tg.Pigskin	6 pr

850 Stick Welders Gloves



- Reinforced thumb area
- Foam lined back
- Unlined palm
- Kevlar® stitching

Item #	Description	Std Pkg
096-850L	Large - 14" Gold Elkskin	6 pr
096-850M	Medium - 14" Gold Elkskin	6 pr
096-850S	Small - 14" Gold Elkskin	6 pr
096-850XL	Extra Large - 14" Gold Elkskin	6 pr

1080 Stick Welders Gloves



- Premium blue side split cowhide
- Cotton/foam lining
- Kevlar® stitching
- Reinforced wing thumb

Item #	Description	Std Pkg
096-1080	Large - 14" Blue Side Split Cotton Foamed Lined	12 pr

1100 Stick Welders Gloves



- Premium side split cowhide welder
- Cotton lined
- Kevlar® stitching
- Resists heat

Item #	Description	Std Pkg
096-1100	Large - 14" Blue Side Split Cotton Lined	12 pr

1250 Stick Welders Gloves



- Premium blue side split cowhide
- Cotton/foam lining
- Kevlar® stitching
- Double reinforced

Item #	Description	Std Pkg
096-1250-L	Large - 14" Blue Side Split Insulated Lined	12 pr
096-1250XL	Extra Large - 14" Blue Side Split Insulated Lined	12 pr

1018 Stick Welders Gloves



- Select shoulder split cowhide
- Cotton/foam lining
- Kevlar® lining

Item #	Description	Std Pkg
096-1018	Large - 14" Blue Shoulder Split Cowhide	12 pr

865 Winter Gloves



- Top grain gold Deerskin
- Double stitching on forefinger
- Thinsulate™ lining
- Keystone thumb

Item #	Description	Std Pkg
096-865XL	Extra Large - Thinsulate Lined Top Grain Deerskin	6 pr



1425 Winter Gloves



- Fleece lined
- Keystone thumb
- Top grain cowhide
- Double stitching on forefinger

Item #	Description	Std Pkg
096-1425L	Large - Fleece Lined Top Grain Cowhide	12 pr
096-1425M	Medium - Fleece Lined Top Grain Cowhide	12 pr
096-1425XL	Extra Large - Fleece Lined Top Grain Cowhide	12 pr

1450 Winter Gloves



- Bourbon brown select shoulder split leather cowhide
- Heavy duty pile lining
- Gunn cut with keystone thumb
- Double stitching on forefinger

Item #	Description	Std Pkg
096-1450L	Large - Pile Lined Shoulder Split Cowhide	12 pr
096-1450M	Medium - Pile Lined Shoulder Split Cowhide	12 pr
096-1450XL	Extra Large - Pile Lined Shoulder Split Cowhide	12 pr

1532 String Knit Gloves



- 8 oz.
- Knit wrist
- Cotton/polyester string knit

Item #	Description	Std Pkg
096-1532	Large - Cotton/Polyester String Knit	12 pr
096-1532M	Medium - Cotton/Polyester String Knit	12 pr

Welders Back Hand Pad



- **Top:** Aluminized Carbon Kevlar®
- **Middle:** Layer of 1500°F melt, ceramic wool material
- **Bottom:** Acrylic coated fiberglass
- 7.5"H x 5.5"W

Item #	Description	Std Pkg
096-554	Backhand Pads w/Leather & Elastic Straps	6 pr

Welders Rubber Knee Pads



- Durable rubber body
- Elastic straps with hook/loop closure

Item #	Description	Std Pkg
096-564	Rubber Knee Pads w/Elastic Straps	24 pr

Bib Apron



- Bourbon brown side split cowhide
- 24" x 48" bib apron
- Two chest pockets
- Cotton crossed back straps
- Side release buckles for easy on/off
- Sewn with Kevlar® thread

Item #	Description	Std Pkg
096-4248	24" x 48" Bib Apron Brown Cowhide	30 ea

18" Protective Sleeve



- Top grain Goatskin from wrist to upper arm
- Leather seams are sewn with Kevlar thread
- 2 1/4" wide external elastic secures sleeve to arm
- 18" leather/cotton length
- 22" total length

Item #	Description	Std Pkg
096-9215	18" Protective Sleeve Leather/Cotton Goatskin	6 pr



SAE Combination Wrench



- **SAE Sizes:** 3/8, 7/16, 1/2, 9/16, 5/8, 11/16, 3/4, 13/16, 7/8, 15/16, 1, 1-1/16, 1-1/8, 1-1/4"

Item #	Description	Std Pkg
211-17329	14 pc 3/8 to 1-1/4" Combination Wrench Set SAE	1 set

Metric Combination Wrench



- **Metric Sizes:** 10,11,12,13,14,15,16,17,18,19,21,22,24,25,30,32 mm

Item #	Description	Std Pkg
211-17330	16 pc 10mm-32mm Wrench Set Metric	1 set



Instant Tire Repair



- Non-Flammable
- Tire sensor safe
- Seals & inflates in seconds
- Versatile 7" applicator hose
- For standard sedans and light SUV wheels

Item #	Description	Std Pkg
038-M1118/6	16 oz Instant Tire Repair	6 ea



Shop Towels



- Excellent to replace cloth towels
- 100% synthetic virgin fibers
- Highly absorbent
- Variety of usage
- Low lining
- 30 Rolls/cs

Item #	Description	Std Pkg
174-450360	Advanced 450 Blue ShopMax Roll Blue Towels	1 cs

ShopMax Blue Wiper Refill



- ShopMax Wiper 450 Centerfeed
- Absorbs oil and water
- Works on grease and grime
- 200 Sheets per roll
- 2 Rolls/cs

Item #	Description	Std Pkg
174-450338	Advanced 450 ShopMax Blue Wiper Refill f/Bucket	1 cs

ShopMax Blue Wiper in Bucket



- Pre-moistened disposable wipes
- Easy open for dispensing
- Tough on grease and dirt
- Gentle on skin
- 2 Buckets/cs

Item #	Description	Std Pkg
174-450340	ShopMax Blue Dry Wiper in a Bucket	1 cs



15 pc Drill Bit Set



- 118° Drill point
- Black oxide finish
- General purpose set
- Metal index storage box

Item #	Description	Std Pkg
084-099808	15 pc Drill Bit Set 1/16" - 1/2" by 32nds	1 set

21 pc Drill Bit Set



- Metal case index
- Black oxide finish
- Jobber length style
- 118° General purpose bits

Item #	Description	Std Pkg
084-099835	21 pc Drill Bit Set 1/16" - 3/8" by 64ths	1 set

29 pc Drill Bit Set



- Metal case index
- Black oxide finish
- Jobber length style
- 135° split point heavy duty bits

Item #	Description	Std Pkg
084-099802	29 pc Drill Bit Set 1/16 - 1/2" by 64ths	1 set



38 pc Series 836 Tap & Die Set



- 17 Plug Taps
- 16 Hex. Dies
- 1/8-27 NPT Rd Die & Pipe Tap
- JT-40 T-Handle Tap Wrench
- JT-20 T-Handle Tap Wrench
- TRD47 Round Die Stock

Item #	Description	Std Pkg
084-083571	38 pc Hex Tap & Die Set w/ a Molded Case	1 set

64 pc Series 836 Tap & Die Set



- **Includes:** 26 Plug Taps, Screw Pitch Gauge, 3 Round Die Stocks, T-Handle Tap Wrench, 20 Round Adjustable Dies, 2 Adjustable Tap Wrenches, 1/8-27, 14/4-187 NPT Pipe Tap & Die

Item #	Description	Std Pkg
084-083574	64 pc Tap & Die Set w/Round Dies w/Case	1 set

Hand Pipe Tap Series 834NPT



- Bright finish
- Heat-treated carbon steel
- Not recommended for machine use

Item #	Description	Std Pkg
084-083445	1/8 - 27 NPT Hand Pipe Tap Series 834NPT	1 ea
084-083446	1/4 - 18 NPT Hand Pipe Tap Series 834NPT	1 ea
084-083447	3/8 - 18 NPT Hand Pipe Tap Series 834NPT	1 ea
084-083448	1/2 - 14 NPT Hand Pipe Tap Series 834NPT	1 ea
084-083449	3/4 14 NPT Hand Pipe Tap Series 834NPT	1 ea
084-083450	1 - 11-1/2 NPT Hand Pipe Tap Series 834NPT	1 ea
084-083451	2 - 11- 1/2 NPT Hand Pipe Tap Series 834NPT	1 ea



60" Pinch Point Crow Bar

- 60-inch heat-treated with a round tapered handle
- Utilized to pry and lever heavy objects
- For breaking up clay, concrete, and other hard materials



Item #	Description	Std Pkg
161-1160100	18 lb 60" Pinch Point Crow Bar	1 ea

66 in Pinch Point Crowbar

- 1.5"h x 1.5"w x 66.25"d
- Heat-treated steel
- Round tapered handle



Item #	Description	Std Pkg
161-1162500	26 lb 66" Pinch Bar	1 ea

72" San Angelo Bar

- Used for digging and prying of dirt and large rocks
- Tempered steel for maximum strength and durability



Item #	Description	Std Pkg
161-1160300	1" X 72" 16lb San Angelo Bar	1 ea

Tamper Bar

- Used for digging, prying and tamping soil
- Tamper head used to level ground
- Heat treated with quality carbon steel



Item #	Description	Std Pkg
161-1160000	1" x 71" Digging/Tamper Bar	1 ea

16-Tine Bow Rake - Fiberglass Handle

- Forged Bow Rake with Steel ferrule
- 16 Tine
- Fiberglass Handle



Item #	Description	Std Pkg
161-1876700	16 Tine Forged Bow Rake W/60" Fiberglass Handle	6 ea

16-Tine Bow Rake - Wood Handle

- Forged Bow Rake
- 16 Tine
- 60" wood handle with steel ferrule



Item #	Description	Std Pkg
161-1886300	16 Tine Forged Bow Rake W/60" Wood Handle	6 ea

6 cu ft Wheelbarrow

- 6 cu ft capacity
- Seamless steel tray
- 16" tubed tire
- 60" seal coated hardwood handles



Item #	Description	Std Pkg
161-J6	6 cu-ft HD Contractor Wheelbarrow w/steel Tray	1 ea



Fiberglass Handle Cross Peen Hammer

- 3 lb Cross Peen Hammer
- Double Injected Fiberglass Handle



Item #	Description	Std Pkg
031-CRP-3F	3 lb Cross Peen w/15" Fiberglass Handle	4 ea

Cross Peen Hammer - Wood Handle

- 3 lb w/Wooden Hickory Handle
- Handle has Shock Absorbent Poly Grip



Item #	Description	Std Pkg
031-CRP-3H	3 lb Cross Peen Hammer w/16" Wood Handle	4 ea
031-CRP-4H	4 lb Cross Peen Hammer w/16" Wood Handle	4 ea

Drilling Hammer - Wood Handle

- 2 lb Drilling Hammer Hickory Handle
- With Shock Absorbent Poly Guard



Item #	Description	Std Pkg
031-DHT-2H	2 lb Drilling Hammer w/10" Wood Handle	4 ea
031-DHT-3H	3 lb Drilling Hammer w/10" Wood Handle	4 ea
031-DHT-4H	4 lb Drilling Hammer w/10" Wood Handle	4 ea



Drilling Hammer - Fiberglass Handle



- 4 lb Drilling Hammer Fiberglass Handle
- Double Injected Fiberglass for Strength

Item #	Description	Std Pkg
031-DHT-4F	4 lb Drilling Hammer w/10" Fiberglass Handle	4 ea

Sledge Hammer - Fiberglass Handle



- Double injection fiberglass handle
- Machine finished faces

Item #	Description	Std Pkg
031-MD-10F	10 lb Sledge Hammer w/34" Fiberglass Handle	4 ea
031-MD-12F	12 lb Sledge Hammer w/34" Fiberglass Handle	2 ea
031-MD-16F	16 lb Sledge Hammer w/34" Fiberglass Handle	2 ea
031-MD-6F	6 lb Sledge Fiberglass w/34" Fiberglass Hammer	4 ea
031-MD-8F	8 lb Sledge Hammer w/34" Fiberglass Handle	4 ea

Sledge Hammer - Wood Handle



- With Wooden Hickory Handle
- Shock Absorbent Poly Guard Handle

Item #	Description	Std Pkg
031-MD-10H	10 lb Sledge Hammer w/36 Wood handle	4 ea
031-MD-12H	12 lb Sledge Hammer w/36" Wood Handle	2 ea
031-MD-16H	16 lb Sledge Hammer w/36" Wood Handle	2 ea
031-MD-20H	20 lb Sledge Hammer w/36" Wood Handle	2 ea
031-MD-6H	6 lb Sledge Hammer w/36" Wood Handle	4 ea
031-MD-6H-16	6 lb Sledge Hammer w/16" Wood Handle	4 ea
031-MD-8H	8 lb Sledge Hammer w/36" Wood Handle	4 ea

Engineer Hammer - Fiberglass Handle



- Double injection fiberglass handle
- Machine finished faces

Item #	Description	Std Pkg
031-MD-2F	2 lb Engineer Hammer w/15" Fiberglass Handle	4 ea
031-MD-3F	3 lb Engineer Hammer w/15" Fiberglass Handle	4 ea
031-MD-4F	4 lb Engineer Hammer w/15" Fiberglass Handle	4 ea

Engineer Hammer - Wood Handle



- With Wooden Hickory Handle
- Shock Absorbent Poly Guard Handle

Item #	Description	Std Pkg
031-MD-2H	2 lb Engineer Hammer w/16" Wood Handle	4 ea
031-MD-3H	3 lb Engineer Hammer w/16" Wood Handle	4 ea
031-MD-4H	4 lb Engineer Hammer w/16" Wood Handle	4 ea

Long Fiberglass Handle Square Point Shovel



- Tru-Pro Closed Back w/Extended Step
- Steel Insert Provides 400 lbs of Handle Strength

Item #	Description	Std Pkg
031-PCL-F	16 gauge Square Point Shovel w/48" Long Handle	6 ea

Utility Grade Long Fiberglass Handle Square Point Shovel



- Tru-Built w/Forward Turn Step
- 0.90 Wall Thickness F/Glass Handle

Item #	Description	Std Pkg
031-PCL-FP	16 gauge Square Point Shovel w/47" Handle	6 ea

Long Wood Handle Square Point Shovel



- 6" Soft Cushion Grips for Comfort
- Extended Step For Comfort & Control

Item #	Description	Std Pkg
031-PCL-ES	16 gauge Square Point Shovel w/48" Long Handle	6 ea

Utility Grade Long Wood Handle Square Point Shovel



- Tru-Built Hardwood Handle
- Forward Turn Step for Secure Placement

Item #	Description	Std Pkg
031-PCL-PE	16 gauge Square Point Shovel w/45" Wood Handle	6 ea



PRO Long Handle Square Point Shovel



- Tru-Pro Closed Back Design
- North American Ash Handle
- Double Riveted Extended Socket

Item #	Description	Std Pkg
031-PCL-RBA	14 gauge Square Point Shovel w/48" Wood Handle	6 ea
031-PCL-RBA-CB	14 gauge Square Point Closed Back & 48" Handle	6 ea

Long Fiberglass Handle Round Point Shovel



- Tru-Pro .110 Wall Thickness Handle
- Protective Sleeve to Prevent Splintering

Item #	Description	Std Pkg
031-PRL-F	14 gauge Round Point w/Grip & 48" Handle	6 ea

Long Wood Handle Round Point Shovel w/ Grip



- Tru-Tough Landscape Grade
- 6" Extended Step for Added Comfort
- 6" Soft Cushion Grip for Comfort & Control

Item #	Description	Std Pkg
031-PRL-E	16 gauge Round Point Shovel w/Grip & 48" Handle	6 ea

Long Wood Handle Round Point Shovel



- Tru-Tough Landscape Grade
- American Ash Wooden Handle

Item #	Description	Std Pkg
031-PRL-ES	16 gauge Round Point Shovel w/48" Wood Handle	6 ea

Utility Grade Long Wood Handle Round Point Shovel



- Tru-Built Utility Grade Shovel
- Forward Turn Step for Secure Footing

Item #	Description	Std Pkg
031-PRL-PE	16 gauge Round Point Small Blade w/ 45" Handle	6 ea

PRO Long Handle Round Point Shovel - PRL-RBA



- American Ash Wooden Handle
- Double Riveted Extended Socket

Item #	Description	Std Pkg
031-PRL-RBA	14 gauge Round Point PRO w/48" Wood Handle	6 ea

PRO Long Handle Round Point Shovel



- Tru-Pro Prem. Ash Handle Double Riveted
- Closed Back Design Prevents Dirt/Mud Buildup

Item #	Description	Std Pkg
031-PRL-RBA-CB	14 gauge Round Point Closed Back w/48" Handle	6 ea

PRO D-Handle Square Point Shovel - PCY-RBA



- Tru-Pro 14 gauge for Max Toughness
- Seamless Electronic Weld for Strength
- D Grips Have Dble Riveted Braces

Item #	Description	Std Pkg
031-PCY-RBA	14 gauge Square Point PRO w/30" D-Handle	6 ea

PRO D-Handle Square Point Shovel



- Tru-Pro American Ash Wooden Handle
- D-Grips Have Seamless Electro Weld
- D-Grips Have Double Riveted Heavy Braces

Item #	Description	Std Pkg
031-PRY-RBA	14 gauge Round Point PRO w/30" Wood D-Handle	6 ea

D-Handle Drain Spade Shovel



- Tru-Tough Medium Duty Grade
- Steel Collar Reinforces Assembly
- American Ash Handle

Item #	Description	Std Pkg
031-PEP-16E	16 gauge x 16" Drain Spade w/30" Steel D-Handle	6 ea



PRO Fiberglass D-Handle Drain Spade Shovel



- Tru-Pro 14 gauge for Toughness
- Steel Insert Provides 400lbs of Handle Strength

Item #	Description	Std Pkg
031-PEP-16-F	14 gauge x 16" Drain Spade w/29" D-Handle	6 ea

PRO D-Handle Drain Spade Shovel



- Tru-Pro 14 gauge Blades for Toughness
- D-Grips w/Seamless Electro Weld for Strength

Item #	Description	Std Pkg
031-PEP-16-RBA	14 gauge x 16" Drain Spade w/32" Wood D-Handle	6 ea

Wood Handle Trenching Shovel



- Tru-Pro 2 Piece Construction Blade
- Handle made with American Ash

Item #	Description	Std Pkg
031-TRS-4C	4" California Trenching Shovel w/47" Handle	6 ea

Fiberglass Handle Trenching Shovel



- Tru-Pro 0.110 Thick Wall Fiberglass
- 9" Grip for Comfort / Extended Step

Item #	Description	Std Pkg
031-TRS-4CF	4" California Trenching Shovel w/48" Handle	6 ea

Aluminum Scoop



- Tru-Tough Wooden Ash Handle
- Double Riveted D Grips

Item #	Description	Std Pkg
031-PALY-12	#12 Alumium Scoop w/27" D-Handle	6 ea

Aluminum Scoop w/ Steel D-Handle



- Tru-Tough w/ Steel D Handle
- D Grips w/Double Riveted Hvy Gauge Braces

Item #	Description	Std Pkg
031-PALY-12M	#12 Aluminum Scoop w/27" Steel D-Handle	6 ea

Fiberglass Handle Garden Hoe



- 6" Tru-Pro Forged Garden Hoe
- 60" Fiberglass Handle & 9" Grips

Item #	Description	Std Pkg
031-ATJ-F	6" Garden Hoe Forged w/60" Fiberglass Handle	6 ea

Wooden Handle Garden Hoe



- 6" Tru-Pro Forged Garden Hoe
- 60" Wooden Ash Handle

Item #	Description	Std Pkg
031-ATJ-X	6" Garden Hoe Forged Head Hoe w/60" Handle	6 ea

Asphalt Rake



- Tru-Pro Handles Made With American Ash
- Pinned Head Construction on Tru-Pro

Item #	Description	Std Pkg
031-R-14XSH	14 Tine Asphalt Rake 1/2" Shank w/60" Handle	6 ea

Welded Bow Rake



- Tru-Tough w/American Hardwood Handles
- 6" Handle Grip for Easier Control

Item #	Description	Std Pkg
031-R-16AM-E	16 Tines Welded Bow Rake w/54" Handle & Grip	6 ea



Fiberglass Handle Forged Bow Rake



- Tru-Pro Pinned Head Construction
- 9" Cushion Grip & Protective Sleeve

Item #	Description	Std Pkg
031-R-16AM-FX	16 Tine Forged Bow Rake w/60" Handle	6 ea

Wood Handle Forged Bow Rake



- Tru-Pro American Ash Wood Handle
- Pinned Head Construction on Tru Pro

Item #	Description	Std Pkg
031-R-16AM-X	16 Tines Forged Bow Rake w/60" Wood Handle	6 ea

Fiberglass Handle Road Rake



- Tru-Pro Heavy Duty Rake
- 9" Grip for Comfort & Control

Item #	Description	Std Pkg
031-R-16MF	16 Tine Road Rake Level Head w/60" Handle	6 ea

Wood Handle Road Rake



- Tru-Pro American Ash Wood Handle
- Industrial Level Head Rake

Item #	Description	Std Pkg
031-R-16MX	16 Tines Road Rake Level Head w/60" Handle	6 ea

Wood Handle Level Head Rake



- Tru-Tough Hardwood Handle
- 6" Grip for Comfort & Control

Item #	Description	Std Pkg
031-R-16-ME	16 Tines Level Head Rake w/60" Wood Handle	6 ea

Hay Fork



- 16" Wide 10 Tine Hay Fork
- 60" Wooden Ash Handle

Item #	Description	Std Pkg
031-BPY-10X	10 Tines Ensilage Hay Fork w/30" Steel D-Handle	6 ea

Sidewalk Scraper



- Tru-Pro American Ash Wood Handle
- Features Oversize Turn Step for Comfort

Item #	Description	Std Pkg
031-SCR-FX	7" x 6" Forged Sidewalk/Ice Scraper w/48" Handle	6 ea

Wood Handle Post Hole Digger



- Tru-Pro Hercules Pattern
- 48" Wooden ASH Handles

Item #	Description	Std Pkg
031-CA-38E	HD Post Hole Digger w/48" Wood Handle	2 ea

Fiberglass Handle Post Hole Digger



- Inch marks on handle for depth measurements
- Tempered steel

Item #	Description	Std Pkg
031-CA-38F	Post Hole Digger w/Fiberglass Handles & 9" Grips	2 ea

Steel Handle Post Hole Digger



- Tru-Pro Hercules Pattern
- HD 48" Steel Handles

Item #	Description	Std Pkg
031-CA-38M	Post Hole Digger w/48" Steel Handles & 6" Grips	2 ea



Utility Bar



- 2 lb x 15" Utility Pry Bar
- Nail Puller , Black Finish

Item #	Description	Std Pkg
031-BA-UT-15	2 lb x 15" Utility Bar	6 ea

San Angelo Bar



- Sharper chisel and points for hard and compact soil

Item #	Description	Std Pkg
031-BAP-150	1" X 60" x 14 lb San Angelo Hex Bar	3 ea
031-BAP-175	1" x 70" x 16 lb San Angelo Hex Bar	3 ea

Wrecking Bar



- Heavy Duty Wrecking Bar
- 5/8" x 18" x 2.25 lb Bar

Item #	Description	Std Pkg
031-BU-120	1" x 48" x 13 lb Hex Wrecking Bar	6 ea
031-BU-45	5/8" x 18" x 2.25 lb Hex Wrecking Bar	6 ea
031-BU-60	3/4" x 24" x 3.25 lb Hex Wrecking Bar	6 ea
031-BU-75	3/4" x 30" x 4.25 lb Hex Wrecking Bar	6 ea
031-BU-90	3/4" x 36" x 5.25 lb Hex Wrecking Bar	6 ea

Pinch Point Bar



- Heavy Duty Long Bars
- With Pinch Point End

Item #	Description	Std Pkg
031-PPB-48	10 lb x 48" Pinch Point Bar	3 ea
031-PPB-51	12 lb x 51" Pinch Point Bar	3 ea
031-PPB-60	18 lb x 60" Pinch Point Bar	3 ea
031-PPB-64	22 lb x 66" Pinch Point Bar	3 ea

Wedge Point Bar



- Heavy Duty Professional Bar
- With Drop Forged Wedge Point

Item #	Description	Std Pkg
031-WPB-60	18 lb Wedge Point Bar 60"	3 ea

Tamping Bar



- Heavy Duty Steel Tamper Bar
- Post Hole / Tamper Bar

Item #	Description	Std Pkg
031-TB-175	16 lb Tamping Bar/Post Hole Digger w/ 69" Handle	3 ea

Pick Mattock w/Fiberglass Handle



- Forged carbon steel
- Double injection fiberglass handle

Item #	Description	Std Pkg
031-TP-5F	5 lb Pick Mattock w/36" Fiberglass Handle	4 ea

Pick Mattock w/Wood Handle



- Pick Mattock Complete With Handle
- With Shock Absorbent Poly Guard

Item #	Description	Std Pkg
031-TP-5M	5 lb Pick Mattock w/36" Wood Handle	4 ea

Cutter Mattock w/Wood Handle



- Pick Mattock Complete with Handle
- With Shock Absorbent Poly Guard

Item #	Description	Std Pkg
031-TH-5M	5 lb Cutter Mattock w/36" Wood Handle	6 ea



Pick Mattock Head Only



- Forged carbon head

Item #	Description	Std Pkg
031-TP-5	5 lb Pick Mattock Head Only	6 ea

Cutter Mattock Head Only



- Cutter Mattock Head Only
- Must buy Handle Separate

Item #	Description	Std Pkg
031-TH-5	5 lb Cutter Mattock Head Only	6 ea

Railroad Pick Head Only



- Forged carbon steel

Item #	Description	Std Pkg
031-ZP-5	5 lb Railroad Pick Head Only	6 ea
031-ZP-6	6 lb Railroad Pick Head Only	6 ea
031-ZP-7	7 lb Railroad Pick Head Only	6 ea

Medium Duty Wheelbarrow



- Med. Duty Wheelbarrow w/Light Tray
- Med. Duty Handles / 16" Tire

Item #	Description	Std Pkg
031-TR6	6 Cubic Feet Wheelbarrow w/1-3/4" Handles	1 ea

Flat Free Wheelbarrow Tire



- 16" Light Duty Replacement Wheel
- Flat Free w/Rim, Ball Bearings & Axle

Item #	Description	Std Pkg
031-FFT	16" Flat Free Tire	1 ea

Splitting wedge



- Drop Forged Splitting Wedge

Item #	Description	Std Pkg
031-WG-3	3 lb Splitting Wedge	10 ea
031-WG-4	4 lb Splitting Wedge	6 ea

Double Bit Michigan Axe



- 3.5 lb Double Bit Axe Michigan Style
- 35" Wooden Hickory Handle

Item #	Description	Std Pkg
031-DHM-3-1/2H	3.5 lb Double Bit Michigan Axe w/35" Handle	4 ea

Hickory Handle Michigan Axe



- 3.5 lb Single Bit Michigan Style
- 34" Wooden Hickory Handle

Item #	Description	Std Pkg
031-HM-HH	3.5# Axe Single Bit Michigan Style	4 ea

Fiberglass Handle Camp Axe



- 1-1/4 lb Camp axe fiberglass handle
- Double injection fiberglass handle
- Carbon steel with double thermal treatment

Item #	Description	Std Pkg
031-HC-1-1/4F	1-1/4 lb Camp Axe w/14" Fiberglass Handle	6 ea

Wood Handle Camp Axe



- 1-1/4 lb x Camp Axe Michigan Style
- 14" Wooden Hickory Handle

Item #	Description	Std Pkg
031-HC-1-1/4H	1-1/4 lb Camp Axe w/14" Wood Handle	6 ea

Double Edge Machete



- Double Edged for Chopping & Pruning
- Grip Tight Molded Handle

Item #	Description	Std Pkg
031-MACH-18	18" Double Edge Machete w/Saw Edge & Sleeve	6 ea



Double Face Dead Blow Hammer



- Contoured grip, balanced swing, and dead blow striking force
- Made from proprietary hot-cast polyurethane formula

Item #	Description	Std Pkg
097-0	13 oz Dead Blow Soft Face Hammer 0.81 lb	1 ea
097-1	21 oz Dead Blow Soft Face Hammer 1.31 lb	1 ea
097-2	26 oz Dead Blow Soft Face Hammer 1.63 lb	1 ea
097-3	45 oz Dead Blow Soft Face Hammer 2.81 lbs	1 ea
097-4	53 oz Dead Blow Soft Face Hammer 3.31 lbs	1 ea

Dead Blow Sledge Hammer



- Welded steel handle and shot-filled canisters
- Made from proprietary hot-cast polyurethane formula

Item #	Description	Std Pkg
097-10	9 lb Dead Blow Soft Face Sledge Hammer	4 ea
097-12	10.5 lb Dead Blow Soft Face Sledge Hammer	4 ea
097-14	12 lb Dead Blow Soft Face Sledge Hammer	4 ea
097-7	5.5 lb Dead Blow Soft Face Sledge Hammer	4 ea

Ball Pein Dead Blow Hammer



- Contains a steel face at either end
- Re-engineered with threadless construction
- Made from proprietary hot-cast polyurethane formula

Item #	Description	Std Pkg
097-TCBP16	26 oz Ball Pein Soft Face Dead Blow (16 oz head)	4 ea
097-TCBP24	36 oz Ball Pein Soft Face Dead Blow (24 oz head)	4 ea
097-TCBP32	47 oz Ball Pein Soft Face Dead Blow (32 oz head)	4 ea
097-TCBP40	50 oz Ball Pein Soft Face Dead Blow (40 oz head)	4 ea

Slimline Double Face Dead Blow Hammer



- Shot-filled canisters offer less bounce and resistance
- Made from proprietary hot-cast polyurethane formula

Item #	Description	Std Pkg
097-S0	8 oz Dead Blow Soft Face Slimline Hammer	4 ea
097-S1	18 oz Dead Blow Soft Face Slimline Hammer	4 ea
097-S2	22 oz Dead Blow Soft Face Slimline Hammer	4 ea
097-S3	26 oz Dead Blow Soft Face Slimline Hammer	4 ea

Slimline Long Reach Dead Blow Hammer



- 8 1/2" head length
- Shot-filled canisters offer less bounce and resistance
- Made from proprietary hot-cast polyurethane formula

Item #	Description	Std Pkg
097-S4	2 lb Dead Blow Soft Face Slimline w/Long Reach	4 ea



Heavy Duty Cleaning Wipes



- 90 count
- No water necessary
- Durable fiber weave
- 10" x 12" heavy duty wipes
- Removes heavy stains others won't
- Contains lanolin, Aloe Vera, and Vitamin E

Item #	Description	Std Pkg
179-TW90	90 ct Heavy-Duty Cleaning Wipes	6 ea



Double Flat Eye Nylon Sling - 1"



- The eye openings are in the same plane as sling
- These are web slings with a flat loop eye on each end
- This sling can be used in all hitches (vertical, Choker, Basket)

Item #	Description	Std Pkg
231-EEF2901-02	1" X 2' Double Flat Eye Web Nylon 2-Ply Sling	Bulk
231-EEF2901-03	1" X 3' Double Flat Eye Web Nylon 2-Ply Sling	Bulk
231-EEF2901-04	1" X 4' Double Flat Eye Web Nylon 2-Ply Sling	Bulk
231-EEF2901-06	1" X 6' Double Flat Eye Web Nylon 2-Ply Sling	Bulk
231-EEF2901-08	1" X 8' Double Flat Eye Web Nylon 2-Ply Sling	Bulk
231-EEF2901-10	1" X 10' Double Flat Eye Web Nylon 2-Ply Sling	Bulk
231-EEF2901-12	1" X 12' Double Flat Eye Web Nylon 2-Ply Sling	Bulk
231-EEF2901-20	1" X 20' Double Flat Eye Web Nylon 2-Ply Sling	Bulk

Double Flat Eye Nylon Sling - 2"



- The eye openings are in the same plane as sling
- These are web slings with a flat loop eye on each end
- This sling can be used in all hitches (vertical, Choker, Basket)

Item #	Description	Std Pkg
231-EEF2902-03	2" X 3' Double Flat Eye Web Nylon 2-Ply Sling	Bulk
231-EEF2902-04	2" X 4' Double Flat Eye Web Nylon 2-Ply Sling	Bulk
231-EEF2902-06	2" X 6' Double Flat Eye Web Nylon 2-Ply Sling	Bulk
231-EEF2902-08	2" X 8' Double Flat Eye Web Nylon 2-Ply Sling	Bulk
231-EEF2902-10	2" X 10' Double Flat Eye Web Nylon 2-Ply Sling	Bulk
231-EEF2902-12	2" X 12' Double Flat Eye Web Nylon 2-Ply Sling	Bulk
231-EEF2902-16	2" X 16' Double Flat Eye Web Nylon 2-Ply Sling	Bulk
231-EEF2902-20	2" X 20' Double Flat Eye Web Nylon 2-Ply Sling	Bulk



Double Flat Eye Nylon Sling - 3"



- The eye openings are in the same plane as sling
- These are web slings with a flat loop eye on each end
- This sling can be used in all hitches (vertical, Choker, Basket)

Item #	Description	Std Pkg
231-EEF2903-03	3" X 3' Double Flat Eye Web Nylon 2-Ply Sling	Bulk
231-EEF2903-06	3" X 6' Double Flat Eye Web Nylon 2-Ply Sling	Bulk
231-EEF2903-08	3" X 8' Double Flat Eye Web Nylon 2-Ply Sling	Bulk
231-EEF2903-10	3" X 10' Double Flat Eye Web Nylon 2-Ply Sling	Bulk
231-EEF2903-12	3" X 12' Double Flat Eye Web Nylon 2-Ply Sling	Bulk

Double Flat Eye Nylon Sling - 4"



- The eye openings are in the same plane as sling
- These are web slings with a flat loop eye on each end
- This sling can be used in all hitches (vertical, Choker, Basket)

Item #	Description	Std Pkg
231-EEF2904-04	4" X 4' Double Flat Eye Web Nylon 2-Ply Sling	Bulk
231-EEF2904-06	4" X 6' Double Flat Eye Web Nylon 2-Ply Sling	Bulk
231-EEF2904-08	4" X 8' Double Flat Eye Web Nylon 2-Ply Sling	Bulk
231-EEF2904-10	4" X 10' Double Flat Eye Web Nylon 2-Ply Sling	Bulk

Round Sling



- Flexi-Grip® round sling
- All-polyester construction
- Low stretch

Item #	Description	Std Pkg
231-FG-1550-08	8' Blue Round Sling Endless Double Jacket	Bulk



Cable Hoist/Puller



- Solid steel construction
- Dual drive ratchet mechanism
- Notch controlled load release
- Heat treated bolts and hooks

Item #	Description	Std Pkg
071-TT-7.5C	2 Ton Dual Drive 7.5' Reach	1 ea



Zipper w/Open Wrists & Ankles



- Open wrists and ankles
- Front zipper closure
- Serged seams
- Elastic waist
- 25ea/cs

Item #	Description	Std Pkg
128-01412-2XL	TY120S Zipper Coverall w/Open Wrists & Ankles	1 cs
128-01412-3X	TY120S Zipper Coverall w/Open Wrists & Ankles	1 cs
128-01412-L	TY120S Zipper Coverall w/Open Wrists & Ankles	1 cs
128-01412-XL	TY120S Zipper Coverall w/Open Wrists & Ankles	1 cs

Zipper w/ Hood Boots & Elastic Wrists



- Attached skid resistant boot covers
- Elastic cuffs for tight fit at wrists
- Attached respirator-fit hood
- Elastic face opening
- Front zipper closure
- 25ea/cs

Item #	Description	Std Pkg
128-01414-2XL	TY122S Zipper Coverall w/Hood	1 cs
128-01414-3XL	TY122S Zipper Coverall w/Hood	1 cs
128-01414-L	TY122S Zipper Coverall w/Hood	1 cs
128-01414-M	TY122S Zipper Coverall w/Hood	1 cs
128-01414-XL	TY122S Zipper Coverall w/Hood	1 cs

Zipper w/Elastic Wrist & Ankles



- Elastic waist, wrists and ankles
- Front zipper closure
- Serged Seams
- 25ea/cs

Item #	Description	Std Pkg
128-01417-2XL	TY125S Zipper Coverall w/Elastic Wrists & Ankles	1 cs
128-01417-3XL	TY125S Zipper Coverall w/Elastic Wrists & Ankles	1 cs
128-01417-L	TY125S Zipper Coverall w/Elastic Wrists & Ankles	1 cs
128-01417-XL	TY125S Zipper Coverall w/Elastic Wrists & Ankles	1 cs

Zipper w/Attach Hood Elastic Wrists & Ankles



- Elastic waist, wrist and ankles
- Attached respirator-fit hood
- Elastic face opening
- Front zipper closure
- 25ea/cs

Item #	Description	Std Pkg
128-01428-2XL	TY127S Zipper Coverall w/Attach Hood	1 cs
128-01428-3XL	TY 127S Zipper Coverall w/Attach Hood	1 cs
128-01428-5XL	TY127S Zipper Coverall w/Attach Hood	1 cs
128-01428-L	TY127S Zipper Coverall w/Attach Hood	1 cs
128-01428-XL	TY127S Zipper Coverall w/Attach Hood	1 cs



A-2 Series Round Mirror



- 7/8" mirror diameter, overall length 7 1/2"
- All-Angle ball joint holds mirror head firmly at any angle
- Sturdy vinyl grip and a handy pocket clip

Item #	Description	Std Pkg
201-A-2	7/8" Round Inspection Mirror OA Length 7-1/5"	12 ea

C-2 Series Round Mirror



- 2 1/4" mirror diameter, overall length 10 1/8"
- All-Angle ball joint holds mirror head firmly at any angle
- Non-rotating inner hex rod prevents mirror head from swinging out of alignment

Item #	Description	Std Pkg
201-C-2	2-1/4" Telescoping Mirror Extends to 10"-14"	12 ea

E-2 Series Round Mirror



- 1 1/4" mirror diameter, overall length 8"
- All-Angle ball joint holds mirror head firmly at any angle
- Sturdy vinyl grip and a handy pocket clip

Item #	Description	Std Pkg
201-E-2	1-1/4" Round Inspection Mirror OA Length 8"	12 ea

E-2T Series Round Mirror



- 1 1/4" mirror diameter
- All-Angle ball joint holds mirror head firmly at any angle
- Telescopes from 6-3/8" to 19" for fast accurate inspection

Item #	Description	Std Pkg
201-E-2T	1-1/4" Pocket Mirror 4-1/2 to 18-1/2"	12 ea

HTC-2 Series Round Mirror



- 2 1/4" mirror diameter, telescopes from 6 1/2" to 36 3/8"
- Mirror encased in rugged corrosion resistant brushed stainless steel
- All-angle ball joint holds mirror firmly for 360 degree viewing

Item #	Description	Std Pkg
201-HTC-2	2-1/4" Telescoping Mirror 6-1/2" to 36-3/8"	12 ea

S-2 Series Round Mirror



- 3 1/4" mirror diameter, overall length 11 1/4", extends to 15 1/4"
- All-Angle Ball joint holds Mirror head tightly at any angle
- Non Rotating inner hex rod prevents mirror head from swinging out of alignment

Item #	Description	Std Pkg
201-S-2	3-1/4" Telescoping Mirror Extends to 11-15"	12 ea

B-2 Series Oval Mirror



- Vinyl grip
- Pocket clip
- All-Angle ball joint

Item #	Description	Std Pkg
201-B-2	1" x 2" Oval Inspection Mirror OA Length 8-1/2"	12 ea

K-2 Series Rectangular Mirror



- Vinyl grip
- All-Angle ball joint
- Extra long handle

Item #	Description	Std Pkg
201-K-2	2-1/8" x 3-1/2" Mirror 11-1/4" - 15-1/4"	12 ea

Magnetic Pick-Up Tool



- Pocket clip
- Lifts up to 1-1/2lbs
- Super strength Neodymium-Iron, Boron Extra High Flux Magnet

Item #	Description	Std Pkg
201-15X	5-7/8" to 25-9/16" Pick-up Tool to 1-1/2 lbs	12 ea

MegaMag Pick-Up Tool



- Lifts 16 lbs
- Stainless steel handle
- Textured cushion pistol grip
- Neodymium -Iron-Boron high flux magnet

Item #	Description	Std Pkg
201-GM-2	8-1/4" to 30-1/4" MegMag Pick-up Tool to 16 lbs	12 ea



Flexible Spring Claw



- Comes w/ 2 ea. CR2032 Lithium Batteries
- Side Switch Turns Light Off/On as Needed
- Retrieves Objects up to 2 lbs

Item #	Description	Std Pkg
201-16LT	25-1/14" Long LED Lighted Flexible Spring Claw	1 ea

Round Telescoping Lighted Mirror



- Comes w/2- CR2016 Batteries
- Heavy Duty Will not Slip in Wet Oily Hands
- SS Handle, Long, Strong, and Lightweight

Item #	Description	Std Pkg
201-HTC-2LT	2-3/8" LED Lighted Mirror 6-3/4" to 37"	12 ea

Hook & Pick Set



- High carbon polished steel
- Hex shaped aluminum handle

Item #	Description	Std Pkg
201-PH-4	4pc Hook & Pick Set 6-5/16" Hex Shaped Handles	12 ea

Scriber/Hook/Pick Set



- High carbon polished heat-treated steel
- Cushion grip will not slip in wet or oily hands

Item #	Description	Std Pkg
201-CHP6-L	6pc Scriber, Hook & Pick Set 9-3/4" Long	12 ea

Rotating Magnetic Work Light



- 24 LED Lights
- Strong Non-marring Base
- Comes w/ 3AAA Batteries
- Head Rotates to Adjust the Beam and Angle
- Also Available in a Rechargeable Model

Item #	Description	Std Pkg
201-RT-2LT	24 LED Rotating Magnetic Work Light w/Batteries	6 ea

360° Rotating Magnetic Work Light



- 48 LED Lights
- Head Rotates 360°
- Comes w/ 3AAA Batteries
- Sturdy Aluminum Housing
- Strong Non-marring Magnetic Base

Item #	Description	Std Pkg
201-RT48LT	48 LED Lights Rotating Magnetic Work Light	6 ea



Square Point Shovel - Wood Handle



- 9" blade socket
- Open-back blade
- Forward turned-step
- North American stained hardwood handle

Item #	Description	Std Pkg
161-40184	LHSP Square Point Shovel W/48" Handle	6 ea

Round Point Shovel - Wood Handle



- Open-back blade
- 9" handle socket
- Forward turned step
- 48" North American hardwood handle

Item #	Description	Std Pkg
161-40191	LHRP Round Point Shovel W/48" Handle	6 ea

16 in Drain Spade with Poly D-Grip



- 9" socket
- Strong poly D-grip
- 27" hardwood handle
- 16" tempered steel blade

Item #	Description	Std Pkg
161-47108	16" Drain Spade w/ Poly D-Handle Grip	6 ea



Torque Wrench



- Push forward/reverse switch
- Built-in position regulator
- Rubber scuff guards
- Uses 3/8" air hose
- 1/4" NPT air inlet

Item #	Description	Std Pkg
166-UT2110R-1	1/2" Pistol Grip Pneumatic Impact Wrench	1 ea



Plated Oil Gauging Tape



- Abrasion and chemical resistant blade coating
- Safety yellow handle with grounding wire
- Longer crank arm speeds retraction

Item #	Description	Std Pkg
204-58811	1/2" x 18' Plated Oil Gauge Tape	1 ea
204-58813	1/2" x 25' Plated Oil Gauge Tape	1 ea
204-58815	1/2" x 33' Plated Oil Gauge Tape	1 ea
204-58819	1/2" x 50' Plated Oil Gauging Tape	1 ea

Plated Oil Gauging Tape - Refill



Item #	Description	Std Pkg
204-58911	1/2" x 18' Refill Plated Oil Gauge Tape	1 ea
204-58913	1/2" x 25' Refill Plated Oil Gauge Tape	1 ea
204-58915	1/2" x 33' Refill Plated Oil Gauge Tape	1 ea

Double Duty Oil Gauging Tape



- Safety yellow handle with grounding wire
- Longer crank arm speeds retraction
- Use with dark and light liquids

Item #	Description	Std Pkg
204-58814	1/2" x 25' Double Duty Oil Gauging Tape	1 ea
204-58816	1/2" x 33' Double Duty Oil Gauging Tape	1 ea
204-58820	1/2" x 50' Double Duty Oil Gauging Tape	1 ea

Double Duty Oil Gauging Tape - Refill



Item #	Description	Std Pkg
204-58914	1/2" x 25' Refill Double Duty Oil Gauging Tape	1 ea
204-58916	1/2" x 33' Refill Double Duty Oil Gauging Tape	1 ea
204-58920	1/2" x 50' Refill Double Duty Oil Gauging Tape	1 ea

Black Etched Oil Gauging Tape



- Safety yellow handle with grounding wire
- Strong, durable corrosion resistant frame
- Longer crank arm speeds retraction

Item #	Description	Std Pkg
204-59246	1/2" x 25' Black Etched Oil Gauging Tape	1 ea

Black Etched Oil Gauging Tape - Refill



Item #	Description	Std Pkg
204-59346	1/2" x 25' Refill Black Etched Oil Gauging Tape	1 ea

Derrick Tape



- Abrasion and chemical resistant blade coating
- Strong, durable corrosion resistant frame
- Longer crank arm speeds retraction
- Safety yellow handle

Item #	Description	Std Pkg
204-59625	1/4" x 100' Derrick Tape	1 ea

Derrick Tape - Refill



Item #	Description	Std Pkg
204-59725	1/4" x 100' Refill Derrick Tape	1 ea

Line Wiper Aluminum Body



- Aluminum construction
- Fits most oil gauging tapes
- Removes oil from front and back of tape

Item #	Description	Std Pkg
204-58877	Line Wiper Aluminum Body	1 ea

Inage Plumb Bob Graduated



- Blunt point graduated in 1/8" reading upward
- 20 oz size, 1" diameter, 6-3/4" length
- Round brass image design

Item #	Description	Std Pkg
204-58899	20 oz Inage Plumb Bob Graduated	12 ea

Brass Plumb Bob - Rubber Tip



- 20 oz Brass
- Innage
- Graduated in 8ths
- Rubber tip protects the bottom of the tank and can help prevent damage or punctures

Item #	Description	Std Pkg
204-58885	20 oz Brass Plumb Bob - Rubber Tip	1 ea

Durawheel Measuring Wheel



- DW-Pro
- Trigger operated brake
- Folds for easy carrying
- Wide stance folding kickstand
- Counter reset button on the pistol grip

Item #	Description	Std Pkg
204-68901	12.5" Dia. Measuring Wheel Feet/10ths	1 ea



Cargo Tote - CT-LC



- Bulk storage capacity
- 4 exterior vertical pockets
- Leather grips
- 1800 D nylon body fabric
- Waterproof polypropylene base

Item #	Description	Std Pkg
186-CT-LC	Cargo Tote - Large	4 ea

Cargo Tote - CT-XL



- Bulk storage capacity
- 4 exterior vertical pockets
- Leather grips
- 1800 D nylon body fabric
- Waterproof polypropylene base
- 40% more space than CT-LC

Item #	Description	Std Pkg
186-CT-XL	Cargo Tote - XL	4 ea

Drill Bag - L



- 27 exterior tool pockets of various size
- 3 interior flat sleeve pockets
- Quick access Velcro pocket
- Removable Velcro panel system
- 3MM polypropylene waterproof base
- Heavy duty shoulder strap

Item #	Description	Std Pkg
186-DR-LC	Drill Bag - Large	4 ea

Drill Bag - XL



- 30 exterior tool pockets of various size
- 3 interior flat sleeve pockets
- Quick access Velcro pocket
- Removable Velcro panel system
- 3MM polypropylene waterproof base
- Heavy duty shoulder strap

Item #	Description	Std Pkg
186-DR-XL	Drill Bag - XL	4 ea

Open Top Tool Bag - OT-LC



- Width: 9.5"; Length: 13.5"
- 36 vertical tiered tool pockets
- 4 flat zippered pockets
- D-Rings: 2 large and 4 small
- Stainless steel tape clip

Item #	Description	Std Pkg
186-OT-LC	Open Top Tool Bag - Large	2 ea

Open Top Tool Bag - OT-XL



- Width: 9.5"; Length: 16.5"; Height: 17"
- 40 vertical tiered tool pockets
- 4 flat zippered pockets
- D-Rings: 2 large and 4 small
- Stainless steel tape clip

Item #	Description	Std Pkg
186-OT-XL	Open Top Tool Bag - XL	2 ea

Open Top Tool Bag - OT-MC



- 28 interior & exterior pockets
- Stainless steel tape clip
- Waterproof 3mm polypropylene base
- Extra wide padded shoulder strap
- Interior box with smaller repositionable "insert" box with lid

Item #	Description	Std Pkg
186-TECH-OT-MC	Tech Open Top Tool Bag - Compact	4 ea

Closed Top Tool Bag - LC



- 57 pockets
- Industrial strength double nylon stitching
- PVC-impregnated 1800 denier body fabric
- Over-molded rubber grip and hinged handle
- Vertical, tiered tool pockets for easy access
- 3mm thick polypropylene waterproof base

Item #	Description	Std Pkg
186-LC	Closed Top Tool Bag - Large	2 ea

Closed Top Tool Bag - MC



- 20 pockets
- Two storage bays
- 3 mm polypropylene waterproof base
- Webbed handle, over-molded grip
- Width: 8"; Length: 10"; Height: 12.5"

Item #	Description	Std Pkg
186-MC	Closed Top Tool Bag - Mid Size	4 ea

Closed Top Tool Bag - Tech-LC



- Vertical tool pockets: 50 inside & 3 outside
- Flat zippered pockets: 4 inside & 2 outside
- Neoprene pockets: 2
- D-Rings: 4 large and 5 small
- Exterior Electrical Tape Loop
- Stainless Steel Tape Clip

Item #	Description	Std Pkg
186-TECH-LC	Tech Closed Top Tool Bag - Large	2 ea

Closed Top Tool Bag - TECH-XL



- Vertical tool pockets: 80 interior and exterior pockets
- Neoprene pockets: 2 large, 3 medium and 9 small
- D-Rings: 4 large and 5 small
- 8" Electrical tape strap
- Stainless steel tape clip

Item #	Description	Std Pkg
186-TECH-XL	Tech Closed Top Tool Bag - XL	2 ea



Closed Top Tool Bag - XL



- Vertical Tool Pockets: 48 inside & 3 outside
- Flat Zippered Pockets: 4 inside & 2 outside
- D-Rings: 4 large and 5 small
- Exterior electrical tape loop: 8" fabric with clip closure
- Stainless steel tape clip

Item #	Description	Std Pkg
186-XL	Closed Top Tool Bag - XL	2 ea

Closed Top Tool Bag - Laptop/Tablet



- Vertical tool pockets: 33 inside & 3 outside
- Flat zippered pockets: 1 inside & 3 outside
- Neoprene pockets: 6 large, 2 medium, 4 small
- Horizontal magnetic flapped pockets: 2
- D-Rings: 4 large and 4 small
- Exterior electrical tape loop

Item #	Description	Std Pkg
186-XLT	Closed Top Tool Bag - Laptop/Tablet	2 ea

Closed Top Tool Bag - XXL-F



- Vertical tool pockets: 48 inside & 3 outside
- Flat zippered pockets: 4 inside & 2 outside
- Horizontal magnetic flapped pockets: 2
- D-Rings: 4 large and 5 small
- Exterior electrical tape loop

Item #	Description	Std Pkg
186-XXL-F	Closed Top Tool Bag - XXL	2 ea

Tool Backpack - Camo



- 56 vertical tool pockets
- 2 storage bays- 4 storage platforms
- Manifold gauge and hose storage pocket
- D-Rings: 4 large and 5 small
- Stainless steel tape clip holder
- Cable and accessory pockets

Item #	Description	Std Pkg
186-TECH-PAC-CAMO	Tech Pac Tool Backpack - Camo	2 ea

Tool Backpack - Hi-Viz



- 56 vertical tool pockets
- 2 storage bays- 4 storage platforms
- Manifold gauge and hose storage pocket
- D-Rings: 4 large and 5 small
- Stainless steel tape clip holder
- Cable and accessory pockets

Item #	Description	Std Pkg
186-TECH-PAC-HI-VIZ	Tech Pac Tool Backpack - Hi-Viz	2 ea

Tool Backpack - Laptop Series



- 27 vertical tool pockets
- 2 storage bays- 4 storage platforms
- Front bay for tool storage
- Back bay for laptop, tablet and accessories
- D-Rings: 2 large and 4 small
- Stainless steel tape clip holder
- Cable and accessory pockets

Item #	Description	Std Pkg
186-TECH-PAC-LT	Tech Pac Tool Backpack - Laptop	2 ea



Multi-Use w/ Smart Straw - 8 oz



- Loosens rusted parts
- Frees sticky mechanisms
- Removes stickers and adhesives
- Flip up for stream, down for spray
- Permanently attached smart straw

Item #	Description	Std Pkg
011-110054	8 oz w/Smart Straw (490026)	12 ea

Multi-Use w/ Smart Straw - 11 oz



- Loosens rusted parts
- Frees sticky mechanisms
- Removes stickers and adhesives
- Flip up for stream, down for spray
- Permanently attached smart straw

Item #	Description	Std Pkg
011-110078	11 oz w/Smart Straw (490040)	12 ea

Multi-Use w/ Smart Straw - 12 oz



- Loosens rusted parts
- Frees sticky mechanisms
- Removes stickers and adhesives
- Permanently attached smart straw

Item #	Description	Std Pkg
011-10152	12 oz w/Smart Straw (490057)	12 ea

Multi-Use EZ Reach



- 8" Flexible straw
- Sprays 2 ways
- Straw bends and keeps its shape
- Gets into hard to reach spaces

Item #	Description	Std Pkg
011-490194	14.4 oz EZ Reach	6 ea



Multi-Use Product - 16 oz



- Heavy-duty lube
- Displaces moisture
- Removes adhesives
- Loosens rusted parts
- Frees sticky mechanisms

Item #	Description	Std Pkg
011-10116	16 oz Industrial Size (490118)	12 ea

Multi-Use Product - 1 gal



- Heavy-duty lube
- Displaces moisture
- Removes adhesives
- Loosens rusted parts
- Frees sticky mechanisms

Item #	Description	Std Pkg
011-10110	1 gal Liquid Jug (490088)	4 gal

Multi-Use Product Bulk



- Displaces moisture
- Loosens rusted parts
- 5 and 55 gallon drums
- Frees sticky mechanisms
- Heavy-duty industrial size
- Removes stickers and adhesives

Item #	Description	Std Pkg
011-10117	5 gal Pail (49012)	1 pail
011-49013	55 gal Drum (Drop Ship Only)	1 drum

Spray Applicator Empty Bottle



- Durable plastic bottle
- One pint heavy duty sprayer
- Adjustable nozzle for stream or spray
- Specially treated inside to add stability

Item #	Description	Std Pkg
011-10100	16 oz Spray Applicator Empty Bottle	4 ea

Dirt & Dust Resistant Dry Lube



- Reduces friction and wear
- Won't attract dirt, dust or oil
- Ideal for releasing molded parts

Item #	Description	Std Pkg
011-300059	10 oz Dirt & Dust Resistant Dry Lube	6 ea

Protective White Lithium Grease



- Won't freeze, melt or run off
- Long-lasting lubrication and protection
- Ideal for metal-to-metal applications

Item #	Description	Std Pkg
011-300240	10 oz Protective White Lithium Grease	6 ea

Rust Release Penetrant Spray



- Fast-acting
- Extra-penetrating Blu Torch technology
- Ideal for use on nuts, bolts, threads and locks

Item #	Description	Std Pkg
011-300004	11 oz Rust Release Penetrant	6 ea

Spray & Stay Gel Lubricant



- No drip, No mess
- Thick gel lubricant
- Stays where you spray it
- 12x longer lasting lubrication
- Prevents rust for up to 1 year

Item #	Description	Std Pkg
011-300103	10 oz Spray & Stay Gel Lubricant	6 ea

Water Resistant Silicone Lubricant



- Quick-drying
- No messy residue
- Lubricates, waterproofs and protects
- Safe to use on rubber, vinyl and plastic

Item #	Description	Std Pkg
011-300012	11 oz Water Resistant Silicone Lubricant	6 ea

Industrial Strength Degreaser



- No residue
- Low fumes
- Smart straw sprays 2 ways
- Quickly dissolves grease, oil, dirt adhesives and more

Item #	Description	Std Pkg
011-300280	15 oz Industrial Strength Degreaser	6 ea



3-in-1 Oil Lubricant



- Penetrates rust & reduces friction
- Lubricate moving parts
- Cleans and protects tools
- Silences squeaky components
- Versatile multi-purpose drip oil

Item #	Description	Std Pkg
011-10135	3 oz 3-in-1 Oil Lubricant	24 ea



Glass Tube Cutters



- Steel
- For 0.25" to 1" O.D. gauge glass, laboratory glass and porcelain tube
- Small enough to carry in your pocket

Item #	Description	Std Pkg
108-69012	1/4" - 3/4" Glass Tube Cutter	1 ea
108-79014	1/4" - 1" Glass Tube Cutter	1 ea



Safety Cables



- Rust and corrosion resistant
- Spring-loaded loops

Item #	Description	Std Pkg
178-WA2	1-1/2" - 3" Safety Cable 1/4"x 39"	25 ea
178-WA4	4" Hose ID Safety Cable 3/8" x 45" Wire Rope	15 ea
178-WB1	1/2" - 1-1/4" Safety Cable 1/8" x 20"	100 ea
178-WB3	Safety Cable 1/2" - 2" 3/16" Cable	25 ea



Silicone Rubber - All Purpose



- RTV formula
- Non-shrinking
- Excellent adhesion
- 100% silicone sealant
- Resists moisture and mildew
- Highly flexible, watertight seal

Item #	Description	Std Pkg
065-W11120010	10 oz 100% Silicone White	12 ea
065-W11121010	10 oz 100% Silicone Clear	12 ea



PVC Clear Low VOC Cement - Reg Body



- PVC fast set cement
- Regular-Bodied
- Low VOC
- Clear

Item #	Description	Std Pkg
219-PRL16	Pint Cement Low VOC Dauber Top Can	12 ea
219-PRL32	Quart Cement Low VOC Dauber Top Can	12 ea
219-PRL8	1/2 Pint Cement Low VOC Dauber Top Can	24 ea

PVC Clear Low VOC Cement - Med Body



- PVC medium set cement
- Medium-Bodied
- Low VOC
- Clear

Item #	Description	Std Pkg
219-PL16	Pint Cement Medium Body Dauber Top Can	12 ea
219-PL32	Quart Cement Medium Body Dauber Top Can	12 ea
219-PL8	1/2 pt Cement Medium Body Dauber Top Can	24 ea

PVC Blue Low VOC Cement - Med Body



- Fast set PVC cement
- Medium Bodied
- All weather
- Low VOC
- Blue

Item #	Description	Std Pkg
219-WET16	Blue PVC Pint Cement Wet/Dry Dauber Top Can	12 ea

PVC Clear HD Low VOC Cement - Med Body



- All-Purpose PVC cement
- Medium-Bodied
- Heavy Duty
- Low VOC
- Clear

Item #	Description	Std Pkg
219-AP16	Clear PVC Pint Cement Dauber Top Can	12 ea
219-AP32	Quart Cement Heavy Duty Body Dauber Top Can	12 ea

Purple Primer Low VOC



- Solvent cement primer
- For PVC, ABS and CPVC pipe and fittings
- Low VOC
- Purple

Item #	Description	Std Pkg
219-PPL16	Purple PVC Primer Pint Low VOC Dauber Top Can	12 ea
219-PPL32	Purple PVC Primer Quart Low VOC Dauber Top Can	12 ea
219-PPL8	Purple PVC Primer 1/2 Pint Dauber Top Can	24 ea



Blue Magic Thread Sealant



- All purpose
- Non-seizing
- Smooth, grit free
- Blue industrial grade paste
- Industrial-grade pipe thread compound

Item #	Description	Std Pkg
219-IG16	1 Pint All Purpose Pipe Thread Compound	12 ea
219-IG8	1/2 Pint All Purpose Pipe Thread Compound	36 ea



Retaining Ring Plier Set



Includes:

- .070 Gold-Straight tip
- .047 Silver-Straight 45°, 90°
- .038 Black-Straight, 15°, 45°, 90°
- 8 Tips per set (2 tips each)
- Length: 6-1/2"

Item #	Description	Std Pkg
153-444K/BB	Snap Ring Plier Set Internal External	10 ea

Convertible Retaining Ring Plier



- Straight tips with .038 inch diameter
- 6 inch overall length
- Interchangable for internal and external rings
- Black oxide finish with red vinyl grips

Item #	Description	Std Pkg
153-527/CS	6" .038 Tip Straight Retaining Ring Plier	5 ea
153-527A/CS	6" .038 Tip 45 Degree Retaining Ring Plier	5 ea
153-527B/CS	6" .038 Tip 90 Degree Retaining Ring Plier	5 ea
153-528/CS	6" .047 Tip Straight Retaining Ring Plier	5 ea
153-528A/CS	6" .047 Tip 45 Degree Retaining Ring Plier	5 ea
153-528B/CS	6" .047 Tip 90 Degree Retaining Ring Plier	5 ea
153-534/CS	7-3/4" .070 Tip Straight Retaining Ring Plier	5 ea
153-534B/CS	7-3/4" .070 Tip 90 Degree Retaining Ring Plier	5 ea
153-535/CS	9-1/2" .090 Tip Straight Retaining Ring Plier	1 ea
153-535A/CS	9-1/2" .090 Tip 45 Degree Retaining Ring Plier	1 ea

6 1/2" Slip Joint Plier



- Shear Cutter; Lobster Claw Jaws
- Recessed Nut and Bolt System
- 6-1/2 inch Length, Made in USA

Item #	Description	Std Pkg
153-G262FP.NP/CC	6-1/2" Slip Joint Plier Flush Fastener	5 ea

8" Slip Joint Plier



- Shear Cutter; Lobster Claw Jaws
- Recessed Nut and Bolt System
- 8 inch Length, Made in USA

Item #	Description	Std Pkg
153-G263FP.NP/CC	8" Slip Joint Plier Flush Fastener	5 ea

Belt Plier Pouch



- Heavy duty
- Fits 2-1/8" belt
- Tunnel belt loops
- Top grain leather
- Double rivet reinforcement

Item #	Description	Std Pkg
153-A67/CS	2-1/8" Leather Plier Pouch Belt Loop	10 ea

5 pc Punch & Chisel Set



Includes:

- 3/16" Pin punch
- 3/16" Solid punch
- 3/8" Center punch
- 3/8" & 5/8" Cold chisel
- Hang-up zipper seal pouch

Item #	Description	Std Pkg
153-K5.NP/VP	5 pc Punch & Chisel Set Vinyl Hang Pouch	1 set

12 pc Punch & Chisel Set



Includes:

- 3/8" Prick
- 1/8", 3/16", 7/32" Taper punches
- 1/8" Solid punch
- 3/8" Center punch
- 3/8", 1/2" & 3/4" Cold chisel
- 3/32", 1/8", 3/16" Pin punches

Item #	Description	Std Pkg
153-K12.NP/VR	12 pc Punch & Chisel Set Vinyl Hang Pouch	1 set

5 pc Cold Chisel Set



- 5 pcs set
- Natural finish
- Hand ground cutting edge
- Hang-up zipper seal vinyl pouch
- Sizes: 5/16", 3/8", 1/2", 5/8", 3/4"

Item #	Description	Std Pkg
153-CC5.NP/VP	5 pc Cold Chisel Set-vinyl Pouch	1 set



9 pc Cold Chisel Set



- Natural finish
- Hang-up zipper seal pouch
- Sizes: 1/4", 5/16", 3/8", 7/16", 1/2", 5/8", 3/4", 7/8", 1"

Item #	Description	Std Pkg
153-CC9.NP/VR	9 pc Cold Chisel Set	1 set

6 pc Pin Punch Set



- 5 pc set
- Natural finish
- High carbon molybdenum steel
- Hang-up zipper seal vinyl pouch
- Sizes: 3/32", 1/8", 5/32", 3/16", 1/4"

Item #	Description	Std Pkg
153-PP5.NP/VP	5 pc Pin Punch Set Vinyl Hang Pouch	5 sets

5 pc Long Taper Punch Set



- 5 pc set
- Natural finish
- High carbon molybdenum steel
- Hang-up zipper seal vinyl pouch
- Sizes: 1/8", 5/32", 3/16", 7/32", 1/4"

Item #	Description	Std Pkg
153-PLT5.NP/VP	5 pc Long Taper Punch Set Vinyl Hang Pouch	1 set

Pin Punch - Natural Finish



- Length: 7 inch; Stock Size: 1/2 inch
- High Carbon Molybdenum Steel
- Individually Heat Treated

Item #	Description	Std Pkg
153-PP1032.NP/SP	5/16" x 7" Pin Punch Natural Finish	10 ea
153-PP1232.NP/SP	3/8" x 7" Pin Punch Natural Finish	10 ea
153-PP232.NP/SP	1/16" x 4-1/4" Pin Punch Natural Finish	1 set
153-PP332.NP/SP	3/32" x 4-3/4" Pin Punch Natural Finish	10 ea
153-PP432.NP/SP	1/8" x 5" Pin Punch Natural Finish	20 ea
153-PP532.NP/SP	5/32" x 5-1/4" Pin Punch Natural Finish	10 ea
153-PP564.NP/SP	5/64" x 4-1/2" Pin Punch Natural Finish	10 ea
153-PP632.NP/SP	3/16" x 5-1/2" Pin Punch Natural Finish	10 ea
153-PP732.NP/SP	7/32" x 7" Pin Punch Natural Finish	10 ea
153-PP832.NP/SP	1/4" x 7" Pin Punch Natural Finish	10 ea

Long Taper Punch - Natural Finish



- High Carbon Molybdenum Steel
- Polished Finish

Item #	Description	Std Pkg
153-PLT1032.NP/SP	5/16" X 11" Long Taper Punch	10 ea
153-PLT1232.NP/SP	3/8" X 11" Long Taper Punch	5 ea
153-PLT232.NP/SP	1/16" x 7" Long Taper Punch Natural Finish	5 ea
153-PLT332.NP/SP	3/32" x 7-1/2" Long	5 ea
153-PLT432.NP/SP	1/8" x 8" Long Taper	5 ea
153-PLT532.NP/SP	5/32" x 8-1/2" Long Taper Punch Natural	5 ea
153-PLT632.NP/SP	3/16" x 9" Long Taper Punch Natural Finish	5 ea
153-PLT732.NP/SP	7/32" x 9-1/2" Long	5 ea
153-PLT832.NP/SP	1/4" x 11" Long	5 ea
153-PLT932.NP/SP	19/32" Long Taper Punch 11", 5/8" Stock	10 ea

Solid Punch - Natural Finish



- Length: 7 inch; stock size: 5/8 inch
- High Carbon Molybdenum Steel
- Individually Heat Treated, Made in USA

Item #	Description	Std Pkg
153-PS1032.NP/SP	1/4" x 7" Solid Punch	10 ea
153-PS1232.NP/SP	3/8" x 8" Solid Punch	10 ea
153-PS232.NP/SP	1/16" X 4-1/4" Solid Punch	20 ea
153-PS332.NP/SP	3/32" X 4-1/2" Solid Punch	10 ea
153-PS432.NP/SP	1/8" Solid Punch x 4-1/2" 5/16" Stock	20 ea
153-PS532.NP/SP	5/32" x 5" Solid Punch	10 ea
153-PS732.NP/SP	7/32" x 5-1/2" Solid Punch	10 ea
153-PS832.NP/SP	1/4" x 6" Solid Punch	20 ea

Solid Punch



- Length: 5 inch; stock size: 3/8 inch
- High Carbon Molybdenum Steel
- Individually Heat Treated, Made in USA

Item #	Description	Std Pkg
153-PS632.NP/HT	3/16" X 5" Solid Punch Carded	1 ea

Lining Up Bar



- Length: up to 18 inch; stock size: 3/4 inch
- Natural Finish
- Individually Heat Treated, Made in USA

Item #	Description	Std Pkg
153-LB1032.NP/IP	5/16" x 18" Lining Up Bar	5 ea
153-LB632.NP/IP	3/16" Lining Up Bar 12"	20 ea
153-LB732.NP/IP	7/32" x 14" Lining Up	1 ea
153-LB832.NP/IP	1/4" Lining Up Bar 16"	20 ea



Cold Chisel



- Hand ground cutting edge
- Hardened quenched and tempered to precise specifications

Item #	Description	Std Pkg
153-CC1032.NP/SP	5/16" x 5" Cold Chisel	1 ea
153-CC1232.NP/SP	3/8" x 5-1/4" Cold Chisel	1 ea
153-CC1432.NP/SP	7/16" x 5-1/2" Cold Chisel Natural Finish	20 ea
153-CC1632.NP/SP	1/2" x 6" Cold Chisel Natural Finish	20 ea
153-CC2032.NP/SP	5/8" x 6-1/2" Cold Chisel Natural Finish	15 ea
153-CC2432.NP/SP	3/4" x 7" Cold Chisel	1 ea
153-CC2832.NP/SP	7/8" x 7-1/2" Cold Chisel Natural Finish	1 ea
153-CC3232.NP/SP	1" x 8" Cold Chisel	1 ea
153-CC3632.NP/SP	1-1/8" x 8" Cold Chisel 7/8" Stock	1 ea
153-CC832.NP/SP	1/4" x 4-3/4" Cold Chisel	1 ea

Long Cold Chisel



- Length: 12 inch, Stock Size: 3/8 inch
- High Carbon Molybdenum Steel
- Individually Heat Treated

Item #	Description	Std Pkg
153-CCL1632.NP/SP	1/2" x 12" Long Cold Chisel	10 ea
153-CCL2032.NP/SP	5/8" x 12" Long Cold Chisel	1 ea
153-CCL2832.NP/SP	7/8" x 12" Long Cold Chisel Natural Finish	5 ea
153-CCL3232.NP/SP	1" x 12" Long Cold Chisel Natural Finish	5 ea
153-CCL3232-18.NP/MP	1" x 18" Long Cold Chisel 7/8" Stock Bulk	5 ea

Floor Chisel



- High Carbon Molybdenum Steel
- Individually Heat Treated

Item #	Description	Std Pkg
153-CF4416.NP/CS	2-3/4" x 12" Floor Chisel Carded	5 ea

Mason Chisel



- High Carbon Molybdenum Steel
- Individually Heat Treated

Item #	Description	Std Pkg
153-CM3216.NP/CS	2" x 7-1/2" Mason Chisel Carded	5 ea
153-CM4016.NP/CS	2-1/2" x 7-1/2" Mason Chisel Carded	5 ea

Brick Chisel



- High Carbon Molybdenum Steel
- Individually Heat Treated

Item #	Description	Std Pkg
153-CB4816.NP/CS	3" x 7" Brick Chisel Carded	5 ea
153-CB6416.NP/CS	4" x 7" Brick Chisel Carded	5 ea

Punch & Chisel Holder



- Head: Black oxide finish
- Capacity fits up to 1-1/2" Hex
- OAL 7-1/2" with knurled handle
- Handle: Non-flammable, impervious to grease

Item #	Description	Std Pkg
153-PCH7W.B/CS	Punch & Chisel Holder/Hand Guard	5 ea

Hacksaw Pistol Grip



- Manufacture and assembled in the USA

Item #	Description	Std Pkg
153-653/BB	Heavy Duty Hacksaw Pistol Grip	5 ea



Combination Pipe & Bench Vise w/ Swivel Base



- Made in USA
- Self centering jaws
- Locking swivel base
- Holds up to 6" pipe securely

Item #	Description	Std Pkg
111-10200	3-1/2" #C-0 Blu/Grey Pipe & Bench Vise	1 ea
111-10225	4-1/2" #C-1 Blu/Grey Pipe & Bench Vise	1 ea
111-10250	5" #C-2 Blu/Grey Pipe & Bench Vise	1 ea
111-10275	6" #C-3 Blu/Grey Pipe & Bench Vise	1 ea

Utility Vise w/ Swivel Base



- Large anvil
- 180° swivel locking base
- Jaws have a serrated pattern
- Powder coat paint for durability

Item #	Description	Std Pkg
111-11126	4-1/2" #674 Red Utility Vise w/Locking Swivel	1 ea
111-11127	5-1/2" #675 Red Utility Vise w/Locking Swivel	1 ea
111-11128	6-1/2" #676 Red Utility Vise Max Open 5-1/2"	1 ea
111-11800	8" #648HD Red Utility Vise w/Locking Swivel	1 ea
111-191	6" #656HD Red Utility Vise Max Open 6"	1 ea



Heavy Duty Mechanics Vise



- Lifetime lubrication
- Straight line design
- 360° lock down swivel base
- 30,000 PSI ductile iron body

Item #	Description	Std Pkg
111-21300	4" #744 Blu/Gray Heavy Duty Mechanics Vise	1 ea
111-21400	5" #745 Blu/Gray Heavy Duty Mechanics Vise	1 ea
111-21500	6" #746 Blu/Gray Heavy Duty Mechanics Vise	1 ea
111-21800	8" #748A Blu/Gray Heavy Duty Mechanics Vise	1 ea

Tradesman Vise w/ Swivel Base



- Made in USA
- Steel pipe jaws
- Reversible jaw inserts
- Maximum jaw holding capacity

Item #	Description	Std Pkg
111-63199	4-1/2" #1745 Gray Tradesman Vise Reversible Jaw	1 ea
111-63200	5-1/2" #1755 Gray Tradesman Vise Swivel Base	1 ea
111-63201	6-1/2" #1765 Gray Tradesman Vise Swivel Base	1 ea
111-63202	8" #1780A Gray Tradesman Vise Reversible Jaw	1 ea

Multi-Purpose Vise w/ Swivel Base



- Large anvil
- Rotating head
- Clamp any angle
- Indexing for quick set-up
- V-jaw holds 1"-3" round stock

Item #	Description	Std Pkg
111-69999	5" Blue Multi-Purpose Vise Swivel Base & V-Jaw	1 ea

Machinist Bench Vise - Swivel Base



- Extra deep throat design
- Large anvil work surface
- 60,000 PSI ductile iron body
- Locking 360° serrated swivel base

Item #	Description	Std Pkg
111-10016	4" Machinist Bench Vise 400S w/Swivel Base	1 ea
111-10026	5" Machinist Bench Vise 500S w/Swivel Base	1 ea
111-10031	6" Machinist Bench Vise 600S w/Swivel Base	1 ea

All-Weather Outdoor Vise - Swivel Base



- Locking swivel base
- Enclosed construction
- Self-centering pipe jaws
- 60,000 PSI ductile iron body
- Replaceable nickel plated jaws

Item #	Description	Std Pkg
111-10400	3-1/2" All Weather AW35 Vise	1 ea
111-10500	4-1/2" All Weather AW45 Vise	1 ea

General Purpose Bench Vise



- Lifetime warranty
- Large anvil work surface
- Grooved steel jaw inserts
- Double lock down swivel base

Item #	Description	Std Pkg
111-11106	6" Bench Vise 6" Jaw Width with Swivel Base	1 ea

6" Shop Vise - Swivel Base



- 360° swivel base
- Double lockdown
- Built in pipe jaws
- 30,000 PSI iron castings
- Replaceable serrated top jaws

Item #	Description	Std Pkg
111-63302	6" WS6 Shop Vise	1 ea

6" ATV All-Terrain Vise



- 360° locking handle
- Lightweight for carrying
- Fits all 2" hitch receivers
- Includes bench mount bracket

Item #	Description	Std Pkg
111-10010	6" ATV All Terrain Vise Hitch with Bench Mount	1 ea

Carrying Case for All Terrain Vise



- For Wilton ATV All-Terrain Vise
- Sturdy handle for easy carry
- Bold and heavy duty design
- Secures with snap locks
- Vise not included

Item #	Description	Std Pkg
111-10350	Carrying Case for ATV All Terrain Vise	1 ea

Drop Forged C-Clamp



- Acme rolled spindle
- Black oxide coating
- Replaceable perma-pads

Item #	Description	Std Pkg
111-14214	2" #402 Drop Forged C-Clamp Opens 0-2-1/2"	1 ea
111-14242	4" #404 Drop-Forged C-Clamp Opens 0-4-1/4"	1 ea
111-14256	6" # 406 Drop Forged C-Clamp Opens 0-6-1/16"	1 ea
111-14270	8" #408 Drop Forged C-Clamp Opens 0-8-1/4"	1 ea
111-14284	10" #410 Drop Forged C-Clamp Opens 0-10-1/8"	1 ea
111-14298	12" #412 Drop Forged C-Clamp Opens 0-12-1/4"	1 ea

Super Junior Forged Steel C-Clamp



- Oscillating head
- Zinc plated screw spindle
- Forged steel with heat treated frame

Item #	Description	Std Pkg
111-21302	1" #51 Junior Forged Steel C-Clamp Opens 0-1"	1 ea
111-21305	2" #54 Junior Forged Steel C-clamp Opens 0-2"	1 ea



Hi-Vis Yellow Drop Forged C-Clamp



- Acme rolled spindle
- Black oxide coating
- Replaceable perma-pads

Item #	Description	Std Pkg
111-14300	2" #402SF Drop Forged C-Clamp Opens 0-2-1/2"	1 ea
111-14302	4" #402SF Drop Forged C-Clamp Opens 0-4-1/4"	1 ea
111-14303	6" #402SF Drop Forged C-Clamp Opens 0-6-1/16"	1 ea
111-14305	8" #402SF Drop Forged C-Clamp Opens 0-8-1/4"	1 ea
111-14306	10" #402SF Drop Forged C-Clamp	1 ea

Ductile Iron Carriage Clamp



- Ductile iron frame
- Black oxide coating
- Oscillating ball & socket tip

Item #	Description	Std Pkg
111-22002	3" #540A-3 Iron Carriage Clamp Opens 0-3"	1 ea
111-22009	14" 540A-14" Iron Carriage Clamp Opens 0-14"	1 ea

Classic Regular Duty F-Clamp



- Plated finish
- Drop forged arm
- 1800 lb clamping force

Item #	Description	Std Pkg
111-86200	8" #1800S-8 Classic Regular Duty F-Clamp	1 ea
111-86210	12" #1800S-12 Classic Regular Duty F-Clamp	1 ea
111-86220	18" #1800S-18 Classic Regular Duty F-Clamp	1 ea
111-86230	24" #1800S-24 Classic Regular Duty F-Clamp	1 ea

BASH Ball Pein Hammer



- Anti-vibe neck
- No-slip grip for secure hold
- Made from steel spring rods

Item #	Description	Std Pkg
111-32414	24 oz BASH Ball Pein Hammer w/14" Handle	Bulk
111-33214	32 oz BASH Ball Pein Hammer w/14" Handle	Bulk

BASH Brass Hammer



- Brass Head is non-sparking
- Unbreakable® Handle Technology
- Anti-Vibe Neck with tapered design
- Safety Plate prevents head from dislodging
- No-Slip Grip made from vulcanized rubber
- Steel core eliminates breaking during overstrikes

Item #	Description	Std Pkg
111-90616	6 lb Bash Brass Head Non-Sparking - 16" Handle	Bulk

BASH Hi-Vis Sledge Hammer



- Unbreakable technology
- Drop forged 46 HRC steel head
- Ergonomic handle with no-slip grip
- Safety plate to prevent head dislodging

Item #	Description	Std Pkg
111-20212	2-1/2 lb BASH Hi-Vis Sledge Hammer w/12" Handle	Bulk
111-20412	4 lb BASH Hi-Vis Sledge Hammer w/12" Handle	Bulk
111-20416	4 lb BASH Hi-Vis Sledge Hammer w/16" Handle	Bulk
111-20616	6 lb BASH Hi-Vis Sledge Hammer w/16" Handle	Bulk
111-20624	6 lb BASH Hi-Vis Sledge Hammer w/24" Handle	Bulk
111-20630	6 lb BASH Hi-Vis Sledge Hammer w/30" Handle	Bulk
111-20636	6 lb BASH Hi-Vis Sledge Hammer w/36" Handle	Bulk
111-20816	8 lb BASH Hi-Vis Sledge Hammer w/16" Handle	Bulk
111-20824	8 lb BASH Hi-Vis Sledge Hammer w/24" Handle	Bulk
111-20830	8 lb BASH Hi-Vis Sledge Hammer w/30" Handle	Bulk
111-20836	8 lb BASH Hi-Vis Sledge Hammer w/36" Handle	Bulk
111-21024	10 lb BASH Hi-Vis Sledge Hammer w/24" Handle	Bulk
111-21030	10 lb BASH Hi-Vis Sledge Hammer w/30" Handle	Bulk
111-21036	10 lb BASH Hi-Vis Sledge Hammer w/36" Handle	Bulk
111-21224	12 lb BASH Hi-Vis Sledge Hammer w/24" Handle	Bulk
111-21230	12 lb BASH Hi-Vis Sledge Hammer w/30" Handle	Bulk
111-21236	12 lb BASH Hi-Vis Sledge Hammer w/36" Handle	Bulk
111-22036	20 lb BASH Hi-Vis Sledge Hammer w/36" Handle	Bulk



Cougar Socket Set 3/8"-7/8" 12pt w/Box



- Oval Head Ratchet
- 3" and 6" Extension
- 5/8" Spark-plug Socket
- 12 pt Standard Sockets

Item #	Description	Std Pkg
170-A31	13 pc 3/8" Drive Socket Set 3/8"-7/8" 12 pt	1 set

Cougar Std. & Deep Socket Set 3/8"-7/8" 12pt



- Oval Head Ratchet
- 3" and 6" Extension
- 5/8" Spark-plug Socket
- 12 pt Standard and Deep Sockets

Item #	Description	Std Pkg
170-A34	21 pc 3/8" Drive STD & Deep Socket Set 12 pt	1 set

Socket Set 1/4"-7/8" 6pt w/Rail



- Includes rail and 11 clips

Item #	Description	Std Pkg
170-312	11 pc 3/8" Drive Socket Set 5/16"-3/4" 6 pt	1 set



Deep Impact Socket Set 5/16"-3/4" 6pt w/Rail



- Includes rail and 8 clips
- 3/8" Drive, 5/16" - 3/4"

Item #	Description	Std Pkg
170-314	8 pc 3/8" Drive Deep Impact 6 pt 5/16" thru 3/4"	1 set

Hex Bit Socket Set 1/8"- 3/8" w/Plastic Box



- 7 pc 3/8" Drive Set
- 1/8" to 3/8" Hex Bits
- Plastic Case

Item #	Description	Std Pkg
170-305	7 pc 3/8" Drive Hex Bit Socket Set 1/8" - 3/8"	1 set

Hex Bit Socket Set w/Plastic Box



- 10pc Set
- Plastic Case
- 3/8" and 1/2" Drive
- 1/8"-3/8" Hex Bits

Item #	Description	Std Pkg
170-311	10 pc 3/8" & 1/2" Drive Hex Bit Socket Set	1 set

Cougar Socket Set 7/16"-1-1/4" 12pt in a Box



- 1/2" dr. Oval Head Ratchet
- 6" and 10" Extensions
- 12 pt Sockets

Item #	Description	Std Pkg
170-A41	16 pc 1/2" Drive Socket Set 7/16"-1-1/4" 12 pt	1 set

Cougar Socket Set 7/16"-1-1/4" 6pt in a Box



- 1/2" dr. Oval Head Ratchet
- 6" and 10" Extensions
- 6 pt Standard Sockets

Item #	Description	Std Pkg
170-A42	16 pc 1/2" Drive Socket Set 7/16"-1-1/4" 6 point	1 set

Socket Set 7/16"-1" 12pt in a Box



- 1/2" Drive Standard Ratchet
- 5" Extension
- Metal Box

Item #	Description	Std Pkg
170-418	12 pc 1/2" Drive Socket Set 3/8"-1" 12 point	1 set

Socket Set 3/8"-1-1/4" 12pt in a Box



- 1/2" Drive Standard Ratchet
- 5" Extension and Universal
- Break-over Bar
- Metal Box

Item #	Description	Std Pkg
170-422	19 pc 1/2" Drive Socket Set 3/8"-1-1/4" 12 point	1 set

Deep Impact Socket Set 3/8"-1-1/4" 6pt w/Rail



- Includes rail and 14 clips

Item #	Description	Std Pkg
170-407	14 pc 1/2" Drive Deep Impact Set 3/8"-1-1/4" 6 pt	1 set

Impact Socket Set 7/16"-1-1/16" 6pt w/Rail



- Includes rail and 11 clips

Item #	Description	Std Pkg
170-411	11 pc 1/2" Dr Deep Impact Set 7/16"-1-1/16"	1 set

Deep Impact Socket Set 6pt 3/8"-1" w/Rail



- Includes rail and 11 clips

Item #	Description	Std Pkg
170-412	11 pc 1/2" Drive Deep Impact Set 3/8"-1" 6 pt	1 set

1/2" Dr Impact Deep Socket - 12 pt



- Constructed of alloy steel
- Overall length: 3/4"
- Black Industrial Finish

Item #	Description	Std Pkg
170-4968	9/16" x 1/2" Drive Impact Deep Socket 12pt	1 ea

3/4" Dr Impact Deep Socket



- Constructed of alloy steel
- Metric Measurements
- Black Industrial Finish

Item #	Description	Std Pkg
170-68-36MM	36mm 3/4" Drive Impact Metric Socket	6 ea

1/4" Dr Deep Chrome Socket



- Improved torque load
- Stress is distributed over larger area
- Greater tool to fastener contact area

Item #	Description	Std Pkg
170-2606	1/4" Drive 3/16" Deep Socket Chrome	6 ea



Hex Bit Socket Set 1/4"-5/8" in a Box



- 7 pc 1/2" Drive Set
- Plastic Case

Item #	Description	Std Pkg
170-405	7 pc 1/2" Drive Hex Bit Socket Set 1/4"-5/8"	1 set

Socket Set 7/8"-2-3/8" 12pt in a Box



- 3/4" dr. x 24" Standard Ratchet
- 3-1/2", 8", 16" Extensions
- Break-over Bar and Bull Bar
- Sliding T Bar and Universal
- Metal Box

Item #	Description	Std Pkg
170-631	31 pc 3/4" Drive Socket Set 7/8"-2-3/8" 12 point	1 set

Socket Set 1-7/16"-3-1/8" 12pt in a Box



- 1" Drive x 30" Standard Ratchet
- 8" and 17" Extension
- Sliding T-Handle
- Metal Box

Item #	Description	Std Pkg
170-821	21 pc 1" Drive Socket Set 1-7/16"-3-1/8" 12 point	1 set

Crowfoot Wrench Set 3/8"-1" w/Rail



- Includes rail and 10 clips
- Ten times more fastener contact

Item #	Description	Std Pkg
170-E700	10 pc 3/8" Drive Crowfoot Set 3/8"-1" 12 pt	1 set

Combination Wrench Set 3/8"-1" 12pt w/Roll



- **Sizes:** 3/8" to 1"
- 12 pt Combo Wrenches
- Denim Tool Roll-up

Item #	Description	Std Pkg
170-711	11 pc Combination Wrench Set 3/8"-1" 12 point	1 set

Combination Wrench Set 3/8"-1-1/4" 12pt w/Roll



- **Sizes:** 3/8" to 1-1/4"
- 12 pt Combo Wrenches
- Denim Tool Roll-up

Item #	Description	Std Pkg
170-714	14 pc Combination Wrench Set 3/8"-1-1/4" 12 pt	1 set

Combination Wrench Set 5/16"-1-1/4" 12pt w/Roll



- **Sizes:** 5/16" to 1-1/4"
- 12 pt. Combo Wrenches
- Denim Tool Roll-up

Item #	Description	Std Pkg
170-715	15 pc Combination Wrench Set 5/16"-1-1/4" 12 pt	1 set

Black Combination Wrench Set 12pt in a Roll



- **Sizes:** 3/8" to 1-1/4"
- 12 pt. Combo Wrenches
- Denim Roll-up

Item #	Description	Std Pkg
170-721	14 pc Black Combo Wrench Set 3/8"-1-1/4" 12 pt	1 set

Combination Wrench Set 1/4"-2" 12pt in a Box



- **Sizes:** 1/4" to 2"
- 12 pt Combo Wrenches
- Comes in a Cardboard Box

Item #	Description	Std Pkg
170-726	26 pc Combination Wrench Set 1/4"-2" 12 pt	1 set

Metric Combination Wrench Set 12pt 7mm-24mm



- **Sizes:** 7 mm to 20 mm
- 12 point Metric
- Denim Tool Roll-up

Item #	Description	Std Pkg
170-758	18 pc Metric Wrench Set 7mm-24mm 12 pt	1 set

Full Polish Combo Wrench Set 12pt 5/16"-1-1/4"



- **Sizes:** 5/16" to 1-1/4"
- 12 pt Combo Wrenches
- Polished Finish
- Denim Tool Roll-up

Item #	Description	Std Pkg
170-915	15 pc Full Polish Wrench Set 5/16"-1-1/4" 12 pt	1 set



Ratcheting Wrench Set Straight (Old Style)



- Sizes: 1/4" x 5/16", 3/8" x 7/16", 1/2" x 9/16", 5/8" x 11/16", 3/4" x 7/8"
- 12 pt Old Style Straight
- Denim Tool Roll-up

Item #	Description	Std Pkg
170-9439	5 pc Ratcheting Wrench Set Straight (Old Style)	1 set

Nut Driver Set 3/16"-5/8" w/Pouch



- Silver finished shanks
- Colored handles for easy identification
- Pouch included

Item #	Description	Std Pkg
170-9214	11 pc Nut Driver Set 3/16"-5/8" w/Pouch	1 set

Phillips Screwdriver Set #0- #4 Tip w/Pouch



- Alloy steel shanks
- Red plastic handle grips
- Length range: 1 1/2" to 8"

Item #	Description	Std Pkg
170-9462	6 pc Phillips Screwdriver Set #0- #4 Tip w/Pouch	1 set

Combination Screwdriver Set 3 Phillips & 5 Slotted



- Phillips, Cabinet tips, and Round shank styles
- Alloy Steel shanks
- Red plastic handle grips

Item #	Description	Std Pkg
170-9463	8 pc Combination Screwdriver Set	1 set

Standard Tip Screwdriver Set Round Slotted



- Silver finish shanks
- Red plastic handle grips
- Pouch included

Item #	Description	Std Pkg
170-9464	6 pc Standard Tip Screwdriver Set Round Slotted	1 set

Combination Screwdriver Set w/Slotted & Phillips



- Silver finish shanks
- Red plastic handle grips
- Pouch included

Item #	Description	Std Pkg
170-9475	5 pc Combination Screwdriver Set	1 set

10 pc Combination Screwdriver Set



- Silver finish shanks
- Red plastic handle grips
- Pouch included

Item #	Description	Std Pkg
170-9476	10 pc Combination Screwdriver Set	1 set

6 pc Combination Screwdriver Set



- Silver finish shanks
- Red plastic handle grips
- Pouch included

Item #	Description	Std Pkg
170-9477	6 pc Combination Screwdriver Set	1 set

Chrome Ratchet



- 45 Teeth
- Single pawl
- Round head

Item #	Description	Std Pkg
170-2426	1/4" Drive x 4-3/4" Ratchet	6 ea

Ratchet Double Pawl Nitrile Cushion Grip



- 45 Teeth
- Double pawl
- Round head

Item #	Description	Std Pkg
170-4400	1/2" Drive x 10-1/2" Ratchet Double Pawl	3 ea



Ratchet 400 Series Steel Grip



- Double pawl
- Knurled Grip
- Alloy Steel

Item #	Description	Std Pkg
170-4425	1/2" Drive Ratchet 15" 400 Series Steel Grip	3 ea
170-4426	1/2" Drive Ratchet 10-1/2" 400 Series Steel Grip	3 ea

Ratchet Double Pawl w/Contour Handle



- 45 Teeth
- Double pawl
- Round head

Item #	Description	Std Pkg
170-4490	1/2" Drive x 11" Ratchet Double Pawl	3 ea
170-4494	1/2" Drive x 15" Ratchet Double Pawl	3 ea

Spud Ratchet Double Pawl



- 45 Teeth
- Double Pawl
- Spud

Item #	Description	Std Pkg
170-4428	1/2" Drive Spud Ratchet Double Pawl	3 ea

Ratchet w/Black Finish



- 45 Teeth
- Drop forged steel
- One piece handle

Item #	Description	Std Pkg
170-6425	3/4" Drive x 42" Ratchet w/Black Finish	1 ea

Ratchet w/ Black Finish



- 45 Teeth
- Drop forged, one piece handle

Item #	Description	Std Pkg
170-6400	3/4" Drive x 24" Ratchet w/Black Finish	1 ea

Chrome Extension



- Chrome plating eliminates rust
- Alloy Steel construction

Item #	Description	Std Pkg
170-2406	1/4" Drive 6" Chrome Extension	6 ea
170-2414	1/4" Drive 14" Chrome Extension	6 ea
170-4405	1/2" Drive 5" Chrome Extension	6 ea
170-4410	1/2" Drive 10" Chrome Extension	6 ea
170-4420	1/2" Drive 20" Chrome Extension	6 ea
170-6403	3/4" Drive x 3-1/2" Chrome Extension	3 ea

Impact Extension



- Industrial black finish
- Alloy steel construction

Item #	Description	Std Pkg
170-6907	3/4" Drive x 7" Impact Extension	3 ea
170-6913	3/4" Drive x 13" Impact Extension	1 ea

Impact Extension w/ Lock



- Industrial black finish
- Alloy steel construction

Item #	Description	Std Pkg
170-4903	1/2" Drive x 2" Impact Ext. w/Plunger/Pin Lock	3 ea
170-4905	1/2" Drive x 5" Impact Extension w/Ball Lock	3 ea
170-4909	1/2" Drive x 10" Impact Extension w/Pin Lock	3 ea

Chrome Adapter



- Permits Interchange of Sockets with Ratchets
- No Warranty for Twist-Off Ends
- From One Size to Another

Item #	Description	Std Pkg
170-3454	3/8" F x 1/2" M Chrome Adapter	6 ea
170-4453	1/2" F x 3/8" M Chrome Adapter	6 ea

Impact Adapter



- Size 3/4-Inch female x 1/2-Inch male
- Weight 0.43, Ret ring 6580
- More strength, torque and longer wear

Item #	Description	Std Pkg
170-6900	3/4" F x 1/2" M Impact Adapter	6 ea
170-6901	3/4" F X 1" M Impact Adapter	6 ea
170-8900	1" F X 3/4" M Impact Adapter	6 ea



Impact Adapter w/Ball Lock



- Size: 1/2" Female x 3/8" Male, Drive: 1/2"
- Locking Type Ball, Black Industrial Finish

Item #	Description	Std Pkg
170-4900	1/2" F Drive x 3/8" M Impact Adapter w/Ball Lock	6 ea
170-4902	1/2" F Drive x 3/4" M Impact Adaptor w/Ball Lock	6 ea

Chrome Universal Joint



- Overall Length: 2-7/16", Drive: 3/8 to 3/4"
- Locking Type Pin, Black Industrial Finish

Item #	Description	Std Pkg
170-3800	3/8" Drive Chrome Universal Joint	6 ea
170-4475	1/2" Drive Chrome Universal Joint	6 ea
170-6475	3/4" Drive Chrome Universal Joint	3 ea

Impact Universal Joint



- Overall Length: 2-11/16", Drive: 1/2 to 3/4"
- Locking Type Pin, Black Industrial Finish

Item #	Description	Std Pkg
170-4800	1/2" Drive Impact Universal Joint	6 ea
170-6800	3/4" Drive Impact Universal Joint	3 ea

Breakover - Knurled Handle



- No binding or locked joints
- Steel pin and tension washer construction

Item #	Description	Std Pkg
170-4434	1/2" Drive 24" Breakover w/Knurled Handle	3 ea

Breakover w/Knurled Grip



- Size: 24", Length: 24"
- Locking Type Ball

Item #	Description	Std Pkg
170-4435	1/2" Drive x 18" Breakover w/Flex Knurled Grip	6 ea

Breakover w/Knurled Handle



- 10 5/8" overall length
- Twin flex wrench handle

Item #	Description	Std Pkg
170-4437	1/2" Drive x 10-5/8" Breakover w/Knurled Handle	6 ea

Breakover w/Nitrile Cushion Grip



- Size: 18", Length: 18"
- Locking Type Ball
- Flex Handle

Item #	Description	Std Pkg
170-4438	1/2" Drive x 18" Breakover w/Nitrile Cushion Grip	6 ea

Breakover Flex Handle w/Contour Grip



- Size: 16-9/16", Length: 18"
- Locking Type Ball
- Flex Handle

Item #	Description	Std Pkg
170-4439	1/2" Drive x 16-9/16" Breakover Flex Handle	6 ea

Breakover Black Finish w/Knurled Grip



- Overall Length: 21-5/8"
- Knurled Steel Flex Handle

Item #	Description	Std Pkg
170-6435	3/4" Drive x 21-5/8" Breakover w/Knurled Grip	6 ea

Ratchet Double Pawl w/Knurled Grip



- 41 Teeth
- 1-1/4" swing arc
- Drop forged steel

Item #	Description	Std Pkg
170-3426	3/8" Drive x 7" Ratchet Double Pawl	6 ea

Pear Shape Ratchet w/Contour Handle



- Size: 10-1/2", Overall Length: 10-1/2"
- 31 Teeth
- Swing Arc: 3-1/4"

Item #	Description	Std Pkg
170-4480	1/2" Drive x 10" Pear Shape Ratchet	3 ea



Striking Wrench 12pt Straight Handle



- Straight handle
- Heavy duty
- Black industrial finish

Item #	Description	Std Pkg
170-1832	1" Striking Wrench 12 point Straight Handle	Bulk
170-1834	1-1/16" Striking Wrench 12 point Straight Handle	Bulk
170-1836	1-1/8" Striking Wrench 12 point Straight Handle	Bulk
170-1838	1-3/16" Striking Wrench 12 point Straight Handle	Bulk
170-1840	1-1/4" Striking Wrench 12 point Straight Handle	Bulk
170-1842	1-5/16" Striking Wrench 12 point Straight Handle	Bulk
170-1844	1-3/8" Striking Wrench 12 point Straight Handle	Bulk
170-1846	1-7/16" Striking Wrench 12 point Straight Handle	Bulk
170-1848	1-1/2" Striking Wrench 12 point Straight Handle	Bulk
170-1852	1-5/8" Striking Wrench 12 point Straight Handle	Bulk
170-1856	1-3/4" Striking Wrench 12 point Straight Handle	Bulk
170-1858	1-13/16" Striking Wrench 12 point Straight Handle	Bulk
170-1860	1-7/8" Striking Wrench 12 point Straight Handle	Bulk
170-1864	2" Striking Wrench 12pt Straight Handle	Bulk
170-1870	2-3/16" Striking Wrench 12pt Straight Handle	Bulk
170-1872	2-1/4" Striking Wrench 12pt Straight Handle	Bulk
170-1874	2-5/16" Striking Wrench 12pt Straight Handle	Bulk
170-1876	2-3/8" Striking Wrench 12pt Straight Handle	Bulk
170-1884	2-5/8" Striking Wrench 12pt Straight Handle	Bulk
170-1886	2-11/16" Striking Wrench 12pt Straight Handle	Bulk
170-1889	2-15/16" Striking Wrench 12pt Straight Handle	Bulk

Adjustable Spud Wrench



- Length 16", Weight 2.37 lb
- Distributing stress evenly over a larger contact area
- Reserve of strength for tough jobs

Item #	Description	Std Pkg
170-9414	15" Adjustable Spud Wrench	1 ea

Black Adjustable Pin Spanner Wrench



- Handle thickness 5/16" pin size hook 15/32"
- Overall diameter 3/8"
- Length 12 1/8"

Item #	Description	Std Pkg
170-9645	4-1/2" to 6-1/4" Adjustable Pin Spanner Wrench	1 ea

Striking Wrench 12pt Offset Handle



- Offset handle
- Heavy duty
- Black industrial finish

Item #	Description	Std Pkg
170-1932	1" Striking Wrench 12pt Offset Handle	Bulk
170-1936	1-1/8" Striking Wrench 12pt Offset Handle	Bulk
170-1938	1-3/16" Striking Wrench 12pt Offset Handle	Bulk
170-1940	1-1/4" Striking Wrench 12pt Offset Handle	Bulk
170-1942	1-5/19 Striking Wrench 12pt Offset Handle	Bulk
170-1946	1-7/16" Striking Wrench 12pt Offset Handle	Bulk
170-1948	1-1/2" Striking Wrench 12pt Offset Handle	Bulk
170-1952	1-5/8" Striking Wrench 12pt Offset Handle	Bulk
170-1956	1-3/4" Striking Wrench 12pt Offset Handle	Bulk
170-1958	1-13/16" Striking Wrench 12pt Offset Handle	Bulk
170-1960	1-7/8" Striking Wrench 12pt Offset Handle	Bulk
170-1962	1-15/16" Striking Wrench 12pt Offset Handle	Bulk
170-1964	2" Striking Wrench 12pt Offset Handle	Bulk
170-1968	2-1/8" Striking Wrench 12pt Offset Handle	Bulk
170-1970	2-3/16" Striking Wrench 12pt Offset Handle	Bulk
170-1972	2-1/4" Striking Wrench 12pt Offset Handle	Bulk
170-1976	2-3/8" Striking Wrench 12pt Offset Handle	Bulk
170-1984	2-5/8" Striking Wrench 12pt Offset Handle	Bulk
170-1988	2-3/4" Striking Wrench 12pt Offset Handle	Bulk
170-1989	2-15/16" Striking Wrench 12pt Offset Handle	Bulk
170-1997	3-1/8" Striking Wrench 12pt Offset Handle	Bulk

Micro-Adj Torque Wrench



- Head Style: Ratchet, 24 Teeth, Length: 14-3/4"
- Accurate, +4% clockwise, +6% counterclockwise @ 20% of the scale
- Positive lock with spring loaded pull down lock ring

Item #	Description	Std Pkg
170-3447	3/8" Drive 5-75 ft lbs Torque Wrench	1 ea
170-3477	3/8" Drive 10-100 ft lbs Torque Wrench	1 ea
170-4477	1/2" Drive 20-150 ft lbs Torque Wrench	1 ea
170-4478	1/2" Drive 50-250 ft lbs Torque Wrench	1 ea

Round Shank Screwdriver



- Easy to use and versatile in action
- U.S.-made, professional-grade tools
- Hot-forged for strength

Item #	Description	Std Pkg
170-9123	1/4" x 4" Round Shank Screwdriver	6 ea
170-9124	1/4" x 6" Round Shank Screwdriver	6 ea
170-9125	5/16" x 6" Round Shank Screwdriver	6 ea
170-9126	3/8" x 8" Round Shank Screwdriver	6 ea
170-9127	3/8" x 10" Round Shank Screwdriver	6 ea
170-9128	3/8" x 12" Round Shank Screwdriver	6 ea



Phillips Screwdriver



- Easy to use and versatile in action
- U.S.-made, professional-grade tools
- Hot-forged for strength

Item #	Description	Std Pkg
170-9103	#0 x 3" Phillips Screwdriver	6 ea
170-9104	#1 x 3" Phillips Screwdriver	6 ea
170-9105	#2 x 4" Phillips Screwdriver	6 ea
170-9106	#3 x 6" Phillips Screwdriver	6 ea
170-9107	#1 x 8" Phillips Screwdriver	6 ea
170-9108	#2 x 8" Phillips Screwdriver	6 ea
170-9109	#4 x 8" Phillips Screwdriver	6 ea

Cabinet Tip Screwdriver



- Easy to use and versatile in action
- U.S.-made, professional-grade tools
- Hot-forged for strength

Item #	Description	Std Pkg
170-9112	1/8" x 3" Cabinet Tip Screwdriver	6 ea
170-9113	1/8" x 5" Cabinet Tip Screwdriver	6 ea
170-9115	3/16" x 4" Cabinet Tip Screwdriver	6 ea
170-9116	3/16" x 6" Cabinet Tip Screwdriver	6 ea
170-9117	3/16" x 8" Cabinet Tip Screwdriver	6 ea
170-9118	1/4" x 10" Cabinet Tip Screwdriver	6 ea

Square Shank Screwdriver



- Easy to use and versatile in action
- U.S.-made, professional-grade tools
- Hot-forged for strength

Item #	Description	Std Pkg
170-9132	1/4" x 4" Square Shank Screwdriver	6 ea
170-9136	3/8" x 10" Square Shank Screwdriver	6 ea



X80 Cloths - 05930



- Fast absorbing to wick away moisture
- Wipes absorb more water and oil than textile shop rags
- Disposable wipers clean oil, dirt, grime and solvents

Item #	Description	Std Pkg
062-05930	X80 Red Wiper Pop Up 80 Towels/Bx	5 ea

X50 Cloths - 83550



- Fast absorbing to wick away moisture
- WypAll Brand's most economical extended use cloth
- Combines versatile performance with value design

Item #	Description	Std Pkg
062-83550	X50 White Wiper Pop-Up 176 Sheets Per Bx	10 ea

X60 Cloths - 34790



- Fast absorbing to wick away moisture
- Reinforced to stay strong for cleaning performance
- Cloths contain no adhesives or binders and don't leave residues behind

Item #	Description	Std Pkg
062-34790	X60 White Wiper Pop-Up 126 Sheets Per Box	10 ea

X60 Cloths - 34015



- Fast absorbing to wick away moisture
- Reinforced to stay strong for cleaning performance
- Cloths contain no adhesives or binders and don't leave residues behind

Item #	Description	Std Pkg
062-34015	X60 White Wiper Brag 180 Per Box	5 ea

X80 Cloths - 41041



- Fast absorbing to wick away moisture
- Disposable wipers clean oil, dirt, grime and solvents
- Durable wipers absorb more water and oil than textile shop rags

Item #	Description	Std Pkg
062-41041	X80 Blue Wiper Brag 160/Bx	5 ea

X80 Cloths - 41055



- Fast absorbing to wick away moisture
- For extremely tough jobs- cleaning grease, grime & oil
- Absorbs more water and oil than renal shop towels

Item #	Description	Std Pkg
062-41055	X80 Red Jumbo Roll 475 Sheets	1 ea

X60 Cloths - 34965



- Fast absorbing to wick away moisture
- Reinforced to stay strong for cleaning performance
- The lightweight cloths contain no adhesives or binders

Item #	Description	Std Pkg
062-34965	X60 Blue Wiper Jumbo Roll 1100 Sheets	1 ea

**WYPALL
BRAND**

X50 Cloths - 35015



- Fast absorbing to wick away moisture
- WypAll Brand's most economical extended use cloth
- Combines versatile performance with value design

Item #	Description	Std Pkg
062-35015	X50 White Wiper Jumbo Roll 1100 Sheets	1 ea

Waterless Cleaning Wipes



- Alcohol-free natural citrus solvents
- Cut through grease, grime and oil
- Soothing ingredients moisturize the skin.
- One textured side, one smooth side
- Pre-moistened

Item #	Description	Std Pkg
062-91371	Waterless Cleaning Wipe 75 Wipes Per Bucket	6 ea

Waterless Cleaning Wipes



- Pre-moistened wipes
- One textured side for scrubbing dirt, grime, and grease
- One smooth side for wiping dirt off surfaces and hands
- Alcohol-free natural citrus cleaning agent

Item #	Description	Std Pkg
062-58310	Heavy-Duty Waterless Hand Wipes 50 Per Bucket	8 ea

ZEE LINE

Zee Line Drum Cradle w/o Wheels



- 600 lb capacity
- Tips and rotates
- For 55 gal drums
- Self-storing level bar

Item #	Description	Std Pkg
141-137	Drum Cradle w/o Wheels Shipped Knocked Down	1 ea

Zee Line Drum Cradle w/ Wheels



- 600 lb capacity
- Tips and rotates
- For 55 gal drums
- Self-storing level bar
- Includes axle wheels

Item #	Description	Std Pkg
141-135	Drum Cradle with Wheels Shipped Knocked Down	1 ea

Zee Line Aluminum Bung Wrench



- Aluminum non-sparking
- Opens 3/4" slotted bung
- Opens 2" cross bar bung

Item #	Description	Std Pkg
141-169	Bung Wrench Non Sparking for 3/4" & 2" Plug	6 ea

Bronze-Alloy Drum Wrench



- Non-sparking
- Made of bronze-alloy
- Built-in 1-1/4" faucet handle

Item #	Description	Std Pkg
141-10266	Non-Sparking Bronze-Alloy Bung Wrench	24 ea

Zee Line 2" Bung Faucet



- Instant on/off
- 2" NPT opening
- Made of polyethylene
- Empties 55 gallons in 3 min

Item #	Description	Std Pkg
141-67	2" Bung Faucet Polyethylene Npt	1 ea

Zee Line 3/4" Bung Faucet



- Instant on/off
- 3/4" NPT opening
- Can be padlocked
- Made of polyethylene

Item #	Description	Std Pkg
141-68	3/4" Bung Faucet Polyethylene Npt	12 ea

Zee Line HD Grease Gun



- Load options:
Cartridge, suction or bulk
- Max pressure 10,000 PSI
- Delivers 1 oz per 28 strokes
- Accepts a 14-1/2 oz cartridge

Item #	Description	Std Pkg
141-HD4A	HD Grease Gun w/12" Hose Powder Coated	10 ea

Product Index

1		Banding Ratchet Tool	14,14	Cable Tie	4,4
12v Tester	321,321	Banding Tool	14,14	Cable Ties	257
4		Bands	15	Calcium, Lime & Rust Remover	64
4-Tool Combo Kit	84	Bar	177	Caliper	103,119,236,321
4-Way Valve Tool	320	Barricade Fence	265	Campers Axe	110,110
A		Barricade Tape	51,264-265	Carabiner	96,96
Absorbent	356-357	Bath Cleaner	65	Carb Cleaner	81,81,129
Absorbent Pad	265-266	Batteries	92-93,108-109,324-325	Carburetor Cleaner	18,69
AC Pump	127	Battery	85,234-235	Carriage Clamp	398
Adapter, Extension, Joint	402	Battery Charger	85,235	Carton Sealing Tape	244
Adhesive	1-2,73,81-82,170,279-280,358	Battery Tester	228	Caulking Gun	138
Adjustable Wrench	60-61,76,80,80,161,206,299-300,311,311-312,334,334	Belt Plier Pouch	394,394	C-Clamp	52,319,319,397-398
A-Frame Jack	126	Bench Grinder	87,148	Cement	330,393
Air Brake Anti-Freeze	75	Bike Flag	244	Center Punch Clamp	14
Air Chuck	227-228,286	Bilge Pump	14,14	Center Punch Tool	14,14
Air Compressor	89,204	Bird Net Kit	264	Chain	174-176,268
Air Filter	226,226	Blacksmith Hammer	370	Chain Tong	115,334,334
Air Gun	128	Blades	138,141-142,367	Chain Wrench	333,333
Air Horn	264	Blo Gun Tip	227	Chain, Cable, Rope & Accessories	385-386
Air Hose	264,286	Blocks & Pulleys	78,129-130	Chain, Cable, Rope Accessories	10-11
Air Hose Reel	67	Blow Tip Gun	286	Channelizer Base	67
Air Regulator	10,226	Bolt Cutter	166,319,319	Channelizer Cone	66
Air Tools	128,147-148,318-319,388	Booster Cable	262	Chip Brush	256
Alcohol Cleaner	75	Boots	28,224,240,324	Chipping Hammer	12,110,217
Angle Finder	369	Bottle Jack	320,320	Chisel	212,215-216,394-396
Angle Grinder	23,85-86,92,200-201,233-234	Box Wrench	301-302	Chisel & Punch Set	216
Anti-Freeze Tester	321-322	Brace	198	Chisel Kit	319
Apron	225,266,376	Brake Cleaner	2,6,18,18,81-82,129,129,184	Chisels, Punches & Pins	318
Arch Punch	120	Brake Fluid	238	Chop Saw	88
Area Light	211-212	Brake Parts Cleaner	69,359,359	Chop Saw Wheel	49,88
Automatic & Mechanical Seals	53-54	Brass Hammer	398	Circular Saw	89
Automatic Lubricator	10	Breakover	314-315,403	Clamps	52,319
Axe	110-111,353,384	Broom	199,258,328	Clamps & Vises	334-335
Axe Handle	371	Brush	195-198	Claw Hammer	15,318,318,368,370
B		Brushes, Brooms & Mops	195-200,328	Cleaner	65,82,94,241,357-358
Babbit Steel Bars	264	Bucket Top Dispenser	322	Cleaner & Anti-Freeze	81,81
Ball Peen Hammer	5	Bull Pin	162,207	Cleaner & Remove	94
Ball Pein Hammer	15,79,79,128,249,345,345,368,370,385,398	Bung Faucet	406	Cleaners	373
Band Saw	88-89,202,233	Bung Wrench	80,80,406		2,6-7,18-19,64-65,68-70,75,81-83,95,113,129,151,170,183-185,225,281,357-359
Band Saw Accessories	202	Burn Care Kit	111	Cleaning Brush	320,320
Band Saw Blade	178,233	C		Clip	15
Banding Bantam Tool	14,14	Cable & Wire Rope Cutter	164,236-237	Clutch	11
Banding Clip	15,15	Cable Cutter	164	Coated Abrasives	50-51
		Cable Gun Lock	210	Coatings	19,73,170,358
		Cable Protector	180-181		

Product Index

Coco Mat	264	Cut Off Wheel	49-50	Electrical Parts Cleaner	68,68	
	77,91,116-	Cut-Off Grinder	86-87	Electrical Plier Set	60	
Combination Wrench	117,174,235,300-301,312,312-313,367,376,400	Cut-Off Saw	202,233	Electrical Tape	1,244,322,322	
Combo Kit	84	Cut-Off Saw Accessories	202	Electricians Plier	157	
Compass	119	Cut-Off Wheel	88,202	Electromagnetic Drill	230	
Compression Tester	228,311	Cutting Fluid	185,332	End Brush	267	
Connecting Bar	162	Cutting Oil	170,343-344,357,357	Engine Degreaser	18	
Construction Wrench	161	Cutting Plier	54-55,143	Engraver	92,120,321	
Contact Adhesive	2	Cutting Saw Blade	88	Epox Coating	2	
Contact Cleaner	68,68,184	Cutting Tools	346,353-355	Erection Wrench	161,161	
Cooler	139,269-271,348-349	D			Evaporative Cooler Tablet	330
Cooler Accessories	140	Dead Blow Hammer	249,310,318,367	Exhaust Rain Cap	262	
Cooler Basket	272	Deburring Tool	336	Extension Cord	288-290	
Cooler Seat	271	Degreaser	6,19,64-65,70,129,170,183-184,225,357	Extension Cords & Accessories	68	
Coolers & Accessories	348-349	De-Icer	74,238	Extractors	142-143,214-215,306,321	
Cooling Bandana	252-253	Detergent	83	Eye Bolt	63,63	
Cooling Products	251	Diagnostics, Inspection & Locating	163,322,346-347	Eye Wash	111,113	
Cooling Towel	252	Diagonal Cutting Plier	75-76	F		
Copper Tubing	262	Diagonal Plier	307,316,316	Fall Protection	96-97,165,178	
Corded Drill	203	Diagonal-Cutting Plier	155-156	Farm Sprayer	136	
Corded Impact Wrench	229-230	Die Grinder	87,147-148,201,234,319	Fault Finder	6	
Cordless Circuit Tester	321,321	Die Heads	339,345	F-Clamp	398	
Cordless Drill	203,229	Digital Multimeter	119,119,163,163	Feeler Gauge	311	
Cordless Drill & Impact Driver Kit	84	Double Bit Axe	110	Fence Plier	57,57,144,316,316	
Cordless Engraver	120,321	Doug Stick	264	Fence Stretcher	124-125	
Cordless Grease Gun	234	Drill	83-84,120,203,228-230,377	Fiberglass Repair Kit	23	
Cordless Grinder	87	Drill Bit	23,66,85,120,142-143,160,230-231,377	Filament Tape	244	
Cordless Impact Wrench	229	Drill Gage	119,119	File	248,258,354-355	
Cordless Ratchet	234	Drill Press	85	Finding Paste	114,166,352	
Cordless Tool Kit	230	Drilling Hammer	110,371	Fire Extinguisher	48,48	
Corrosion Inhibitor	6,73,170,183,185,358	Drinkware	272-273	First Aid	111-113	
Cotter Pin Assortment	287	Drum Accessories	406	Fish Tape	161	
Coupler	180,283	Drum Cradle	406	Fitting	331	
Coupler Ball	126	Drum Dollies & Racks	406	Fittings	116	
Coupler Lock	211,332	Drum Wrench	406	Flagging Tape	287-288	
Couplers & Plugs	227-228,286	Duct Knife	163	Flange Wedge	80,80	
Coverall	176,386	Duct Tape	126-127,243,372,372	Flap Disc	50	
Covering Products	18	Dust Pan	199	Flap Wheel	50	
Crayon	204	Dust Remover	69,185	Flaring Tool	118,141,141	
Crimper Tool	316,316	E			Flashing Cone	66
Crimping Plier	57,57,157-158	Ear Muff	133,239-240	Flashlight	28,109,192-193,273-275,326-327	
Cross Peen Hammer	378	Ear Plug	4,132-133	Floor Jack	320	
Crowfoot Wrench	400	Electric Motor Cleaner	18,18,129	Flooring Knife	137	
Cup Brush	267			Flooring/Drywall Knife	137,137	
Curved Rubber Squeegee	199					

Product Index

Fluid	185	Groove Joint Plier	316,316	Hose Clamp	14,138-139
Foam Sealant	74,114,331	Gun Case	276	HVAC	330
Freeze Protection	208			HWY Banner	67
Friction Tape	1	H			
Fuel Filters & Elements	125	Hacksaw	164,177,247-248,319,346,396	Hydration Drinks	114,114-115,115,359-362
Fuel Meter	127	Hammer Drill	230	Hydraulic Jacks	320
Fuel Nozzle	127	Hammer Wedge	372	Hydraulic Oil	108
Fuel Pump	127			Hydraulic Parts & Accessories	108
Fuel Treatment	17,75,286-287	Hammers	4-5,12,15-16,79-80,91,110,145,217,249-250,310,327,345,378-379,385,398	Hydraulic Tools	48,103-108
Fullers Earth Powder	136,136	Hammers & Striking Tools	127-128,318,353,367-368,370-372	I	
Funnel	284-285	Hand Cleaner	121-122,150-151,240-241,277	Ice Scraper	134
Fuse	182,256-257	Hand Cleaner, Towels & Wipes	352,377,385,405-406	Ignition Wrench	302
G					
Gage	228	Hand Pad	51,376	Impact Adapter, Extension, Joint	172-173,402-403
Gages	119-120	Hand Protection	356,373-376	Impact Driver	164
Galvanized Pail	200,200,285	Hand Pump	127,180,180,284	Impact Drivers & Wrenches	84,91-92,229-230
Gas Finding Paste	166,166	Hand Saw	368	Impact Socket	171-174,235,370,399
Gas Monitor	113	Hand Sockets	294-299	Impact Sockets	290-293
Gasket & Carbon Scraper	310	Hand Truck	322,322	Impact Wrench	147,318,388
Gasket Maker	277-279	Hand Warmer	254	Indicator Paste	94
Gate Faucet	369,369	Handle	198	Infrared Thermometer	163,322,322,346
Gauging Tape Wiper	182	Hard Hat	238-240,251-252,323,356	Injector Cleaner	18,75
Gauging Tapes & Accessories	190-192,389	Hard Hat Visor	282	Insect Repellent	74,358
Generator	118	Harness	97	Insect Repellent & Wasp Killer	7,74,95,171,266,358
Glass Cleaner	69,128,128,151,359,359	Hatchet Handle	16,371	Inspection Mirror	311,387-388
Glasses	134,217-220,246-247,323-324	Hay Fork	382,382	Insulation	95
Glove Clip	110	Head Protection	356	J	
	24-27,130-	Headgear	220	Jack Stands	320,320
Gloves	132,151,179,221-223,266,281-282,356,373-376	Headlamp	109,212,275,325-326	Jacks & Hydraulics	48,103-108,148
Goggle	221,324	Heat Lamp	290	Jobsite Box	13-14
Goggles	134	Heater	208	K	
Grease	70-72,83,169,182,184-188,241-243,357,392	Heating Cable	95	Kitchen Cleaner	65
Grease Fitting	8-9,180,283	Hex Bit Socket	399-400	Knee Pad	251,376
Grease Fitting Assortment	287	Hex Key	21-23,97-102,304-305	Knee Protection	376
Grease Gun	7-8,89,124,179-180,234,283-284,322,406	Hex Wrench	317,333,333	Knives & Scrapers	134,136-138,141-142,176,321,367,382
Grease Gun Accessories	8-10	Hitch Pin & Clip	331,331	L	
Grease Guns & Accessories	406	Hitch Pin Clip Assortment	287	Landscaping Tools	384
Grease Guns Accessories	180,283,322	Hoe	328,353,372,381	Lantern	327
Grinder	23,85-87,92,148,200-201,233-234	Hoists & Pullers	132,386	Lanyard	96,165
Grinder Accessories	201	Hoists & Winches	12,83,132,147,319	Leak Detector	21,356,356
Grinding Wheel	49-50,87-88,92,201	Hook	10-11,63-64,175,269	Lens Cleaner	220
		Hook Fastener	1	Letter & Number Stamps	53
		Hooks & Picks	60,214,317,366,366,388	Letter & Number Stencils	53
		Hose	113,120-121,153,180,283,331	Letter Stamps	53
		Hose & Hose Assemblies	9-10		
		Hose Assembly	180		

Product Index

Letter Stencils	53	N	Pipe Tap	377			
Level	24,81,89,102-103,365,368-369		Napping Hammer	371	Pipe Tape	1,268,286	
Levels, Squares & Calipers	365,368-369		Needle Nose Plier	117,307-308,316	Pipe Taps	340,340	
Lever Pump	127,127		Needle Scaler	148	Pipe Vises & Supports	12-13,335,335	
Lifeline	97		Neoprene Squeegee	199,199	Pipe Wrench	145,312,332-333	
Line Wiper	389		Number Stamps	53	Pipeline Wheel	49	
Linemans Plier	55-56,143,308		Nut Driver	60,85,160,307,317,401	Plastic Caps	259	
Linesmans Plier	76,316		O	Odor Digester	95	Plastic Jug	258
Lining Up Bar	395,395			Offset Wrench	333,333	Plastic Pail	260
Link	11,116,175,269			Oil	170,207-208,242-243	Plastic Pipe Cutter	342
Liquid Concentrate	361			Oil Gauging Tape	190-192,389	Plastic Sheetting	18,263
Load Binder	176,268			Oiler	344	Plier	52,54-60,75-76,80,117,155-158,165-166,307-310,315-316,394
Lock Grip Plier	316,316			Oilers & Sprayers	122-124	Plier Set	144,315
Lock Ring Washer Plier	308	O-Ring Assortment		287,322,322,348,348	Pliers	143-144	
Locking Plier	52	P		Packer Bottle	259	Plugs & Connectors	178
Lockout Products	210-211			Packing Hook	79	Plumb Bob	190,261,389
Locks & Lockout Devices	208-211,352-353			Padlock	208-210,352-353	Pneumatic & Hydraulic Sealant	281,281
Long Nose Plier	56,144,316,316			Padlock Hasp	210	Pneumatic Accessories	10,286,311,393
Long-Nose Plier	156			Pails	200	Pocket Knife	162
Lubricant	330,357-358,391-393			Paint	5-7,75,166-170,349-351,358	Pok-It Tool	14
Lubricants & Penetrants	6-7,19,71-74,81-82,114,149,169-170,181-183,185,207-208,225,241,280,330,332,343-344,354,357-358		Paint & Paint Supplies	256,349-351,358	Poly Sprayer	61,135	
Lug Wrench	320		Paint Supplies	2,19,169,197,199-200,286	Portable Air Compressor	204	
M			Painters Tape	244	Portable Air Tank	320,320	
			Pallet Jack	148	Portable Generator	118	
			Pencil	205	Portable Stove	264	
			Penetrant	71,81,114,169,183,354,357	Post Hole Digger	251,328,372,382	
			Penetrating Catalyst	19,19,241	Pouring Ladle	79,79	
		Pennant	244	Powder Packs	359-360		
		Pick	371,383-384	Power Steering Fluid	75,75		
		Pick-Up Tool	320	Primer	286,330,393		
		Pinch Bar	80,80,177	Protective Apparel	111		
		Pinch Point Bar	177,378,383,383	Protective Clothing	176,376,386		
		Pipe & Tubing Benders	140,342	Protective Sleeve	376		
		Pipe & Tubing Cutters	118,140-141,335-336,336-338,340-342,393	Protractor	103,103,119		
		Pipe Beveling	343	Prussian Blue	281		
Pipe Cable Saw	118	Pry Bar	213-216,310				
Pipe Chocks	261	Prying Tools	378,383				
Pipe Dies	345	Pull Wrench	206-207,302				
Pipe Extractors	340,340	Puller	311				
Pipe Jack Stand	12-13	Pump	14				
Pipe Joint Compound	281,281	Punch	120,160,213,215-217,306,395				
Pipe Primer	2,286	Punch & Chisel	394,396				
		Punch & Chisel Set	216,305-306,318				
		Putty	324				

Product Index

Putty Knife	80,80,136-137	Run Ticket Box	115-116	Single Serve	359-362
PVC Hand Saw	177				
R		S			
Radiator Repair	324	Safety Cable	178,178,393	Sledge Hammer	4-5,15-16,79,79-80,110,127-128,145,249-250,310,318,327,370,378-379,385,398
Radiator Stop Leak	16	Safety Can	152-153,225-226,351-352	Slide Chair	120
Rainwear	27-28,223-224,245-246	Safety Cone	66,66	Sling	10,385-386
Rake	327-328,372,378,381-382	Safety Flag	67	Slip Joint Plier	56-57,76,80,80,308-309,316,316,394
Ratchet	172,234,314-315,319,401-403	Safety Flare	321	Slip Protection	248
Ratchet & Handle	342	Safety Pins	264	Smoking Receptacle	153,153
Ratchet Strap	261	Safety Products	120	Snake Bite Kit	112
Ratchet Straps & Tie Downs	11	Safety Solvent	7	Snake Grip	178
Ratchet Wrench	147	Safety Storage	351-352	Snap Hook	96
Ratcheting Wrench	401	Safety Tape	51	Snip	59-60,158,309
Ready To Drink	361-362	Safety Vest	225	Snow & Ice Protection	135
Reamer	336	Safety Whip	235-236	Socket	235
Reamers, Deburring Tools, Extractors & Taps	336,340	Safety Wire Twister Plier	310	Socket Sets	117,171,313-314,366-367,370,398-400
Rebar Chain Assembly	96,96	Safety Wire Twister Plier - 191	310	Sockets & Ratchets	91,117,171-174,290-299,313-315,321,366-367,370,398-403
Rebar Web Assembly	96,96	Safety Wire Twister Plier - 192	310	Soil Probe	251,353
Receiver Lock	331	Sample Bags & Parts Bags	135	Soil Probes & Leveling Rods	353
Reciprocating Saw	89,203,231	San Angelo Bar	378,383,383	Solvent	225
Reciprocating Saw Blade	89,92,177-178,203-204,231-233	Sand Bag	67	Spanner Wrench	305,404
Reducer Sleeve	332,332	Sashcord	261	Spark Lighter	17
Reflective Tape	67	Saw	88-89,92,164,177-178,202-204,231-233,319,368	Spark Plug	54
Regulator	331	Scissors	235	Speciality Plier	59,75
Replacement Wheels	337-338	Scraper	137,176,176,328,382	Speciality Wrench	125
Resin Bonded Wheel	49-51	Screw Extractor	214-215,306,306,321	Spill Control Supplies	356-357
Respirator	2-3,133	Screw Pitch Gage	119,119-120	Splicing Tape	1
Respiratory Protection	113	Screwdriver	60,102,120,158-160,215,306-307,317,365-366,401,404-405	Spline Wrench	302
Retaining Ring	299	Screwdrivers and Nut Drivers	365-366	Split Key Ring	54
Retaining Ring Plier	57,57,309,394			Splitting Wedge	384,384
Retrieving Tool	387-388			Spotlight	126,326
Reversible Drill	148,318	Sealant	74,82,114,138,146,148-149,171,204,247,256,277-281,324,329-331,393-394	Spray Adhesive	1,73,73,170,358
Rig Wash & Creame Beads	263	Security Seal	53-54	Spray Bottle	259
Riggers Axe	110,110	Self Centering Punch	79	Spray Gun	19
Ring Plier	144	Shackle	62-63,77	Spray Gun Kit	227
Rock Pick	110	Sheet Metal Clamp	52	Sprayer	61-62,135-136,228
Roll Pin Assortment	287	Shop Roll	51	Sprayer Repair Kit	62,62
Rope	260-261,323			Spud Wrench	161,302-303,404
Rope Accessories	78,129-130	Shovel	81,146,250-251,327,346,371,379-381,388	Square	103,365,369
Rotary Drum	284	Shovels, Rakes, Hoes & Post Hole Diggers	353,371-372	Squeegee	199
Rotary Hammer	91	Side-Cutting Plier	156-157	Squeeze Pop	360
Rotary Pump	29-47	Sight Glass	116	Stainless Steel Bands	15
Rotary Tool	92	Silicone	71,182	Stainless Steel Cleaner	65,65
Rubber Squeegee	199	Silicone Sealant	73-74,82,171,330,393	Stainless Steel Sprayer	62,135
				Stamp Set	53
				Starting Fluid	75,238,238

Product Index

Steel Pail	259	Tool Bags & Holders	163-164, 204, 268, 390-391	Visor	221,239
Steel Rule	119	Tool Box	282,319,368	W	
Steel Sprayer	61-62	Tool Kit	230	Wasp & Hornet Killer	7, 74, 95,171, 358
Steel Tail Rope	178,178	Tool Lanyard	110	Waste Receptacle	153
Stencil Set	53	Tool Set	61,77,90,117,366	Water Finding Paste	114,166, 352
Storage	13-14,258-260,282	Tool Storage	204,368	Water Hose	113,120-121
Storage Case	275-276,282	Toolmaker Ink Remover	6	Water Pump Plier	157,165
Strap Wrench	161,334,334	Torch	16-17,135,194-195,331	Wedge	80
Striking Wrench	80,116,207,303,404	Torch Accessories	17	Wedge Point Bar	383
Submersible Pump	354	Torch Tip Cleaner	135	Wedgie Spreader	108
Sump Pump	354	Torches & Accessories	135,331	Weld Compound	146
Super Glue	280	Torque Wrench	303-304,315,388,404	Welders Plier	57
Surface Conditioning Disc	51,51	Tow Rope	323,323	Welding Clamp	52
Surveyor Vest	254	Towels & Wipes	20, 95, 114, 122, 151, 240, 259, 277, 352, 377, 385, 405-406	Wet/Dry Vacs	347
Sweatband	240,240,251	Traffic Safety	66-67,266,321	Wet/Dry Vacuum	235
T		Trailer Accessories	126	Wheel Chock	67
Tamper Bar	378,378	Trailer Hitch Accessories	331-332	Wheelbarrow	372,378,384
Tamping Bar	383,383	Transfer Punch	79	Winch Bar	11
Tap & Die Set	117,370,377	Transportable Pipe Beveller	343	Winch Frame	12
Tape	1,20-21,126-127,243-244,256,268,286,322,372	Trash Can Liners	19,349,349	Winch Mount	12
Tape Measure	153-154,188-190,322,322,346,363-364	Triangle Warning Kit	67	Winch Strap	12
Taps, Dies & Sets	66,117,142,248,370	Tube Bender	140	Winches	125-126
Tarp	262-263	Tube Brush	268	Windshield Cleaner	129
Tarp Strap	261	Tube Cutter	118,140-141	Windshield Cover	135
Tea Strainer	264	Tubing	262	Windsock	266
Temperature Indicator Stick	205,205	Tubing Bender	342	Winter Liner	253-254
Texas Flag	244,244	Tubing Cutter	118,340-342,393	Wire Brush	50,266-267
Thread & Gasket Sealant	114	U		Wire Clamp	153
Thread Compound	256	U-Bolt	64	Wire Pulling Grip	160-161
Thread Seal Tape	20-21,256	Underground Line Detactable Tape	265	Wire Rope Attachments	63,77-78
Thread Sealant	19-20,73,114,148-149,204,247,279,329-330,394	Urethane Coating	73	Wire Rope Cutter	236-237
Threader	343-345	USA Flag	245,245	Wire Stripper	144,158,308
Threader Accessories	343	Utility Bar	383,383	Worklight	290,388
Threader Sets	342	Utility Knife	138,141,162-163,321,367	Wrecking Bar	214,383,383
Threading	339,342-345	Utility Locating	346-347	21-23, 60-61, 76-77, 80, 91, 97-102, 115-117, 125, 145, 161, 174, 206-207, 235, 299-305, 311-313, 315, 317, 320, 332-334, 367, 376, 400-401, 404, 406	
Threadlocker	81-82,279-280	Utility Pump	354	Wrench	
Tie Wire	165,257	V			
Time Delay Fuse	182,182	Vacuum	235		
Timing Light	321	Vacuum Cleaner	347		
Tire Sealant	18,376	Valve	331		
Toe Warmer	254	Varnish	170,358		
Toilet Bowl Cleaner	373	Vinyl Knife	137		
Tomahawk Axe	111	Vise	334-335,345,396-397		
Tongue & Groove Plier	57-59,76,76,144,308				

BLACKFIN SUPPLY

ABOUT US

- Blackfin Supply is a Houston, Texas owned and operated distributor representing hundreds of manufacturers globally. We specialize in furnishing piping materials and general consumables (AKA rope, soap, and dope) products across all sectors of oil and gas, municipal water systems, maritime, and industrial markets.
- Not only do we offer some of the most cost-effective and quickest turn-around times in the country, but we also operate with minimal overhead allowing us to pass on our cost savings to even the smallest end user.

PIPE & FITTINGS

- Carbon & Stainless Steel Pipe
- Welded & Threaded Fittings
- Ductile Iron Pipe & Fittings
- HDPE Pressure & Drain Pipe
- PVC, Water, & Sewer Pipe
- Couplings & Restraints
- Flanges & Gaskets

VALVES & PUMPS

- Backflow Preventers
- Water Meters
- Actuators
- Hydrants
- Gauges
- Pumps
- Valves

SPECIALTY PRODUCTS

- Fasteners & Hardware
- Shipbuilding & Maritime
- Retail Store Displays
- Rigging Equipment
- Oilfield Supplies

GENERAL CONSUMABLES

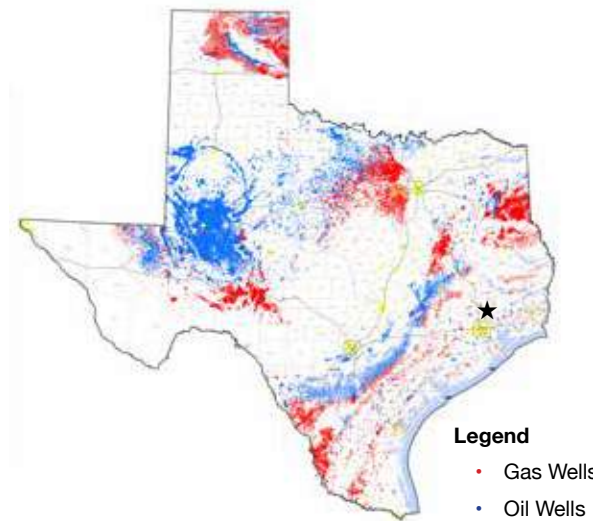
- Adhesives, Sealants, & Tapes
- Chemicals, Lubricants, & Paints
- Janitorial Equipment
- Material Handling
- Welding Supplies
- Safety Products
- MRO Supplies

TOOLS

- Measuring & Leveling Tools
- Piping & Tubing Tools
- Electrical & Lighting
- Marking Tools
- Pneumatics
- Power Tools
- Hand Tools

FABRICATION

- Carbon & Stainless Steel Pipe
- Structural Metals
- Pipe Supports
- Plate Cutting
- Threading
- Grooving
- Tapping



CATALOG 100

GENERAL CONSUMABLES



**BLACKFIN
SUPPLY**

WWW.BLACKFINSUPPLY.COM
JOSH@BLACKFINSUPPLY.COM
HOUSTON, TEXAS
(832) 961-1581